



US00D777711S

(12) **United States Design Patent**  
**Gray**

(10) **Patent No.:** **US D777,711 S**  
(45) **Date of Patent:** **\*\* Jan. 31, 2017**

- (54) **EARPIECE SHROUD**
- (71) Applicant: **K&E Holdings, LLC**, Lakeland, FL (US)
- (72) Inventor: **Cole Gray**, Tallahassee, FL (US)
- (73) Assignee: **K&E Holdings, LLC**, Lakeland, FL (US)
- (\*\*) Term: **15 Years**
- (21) Appl. No.: **29/538,314**
- (22) Filed: **Sep. 2, 2015**
- (51) **LOC (10) Cl.** ..... **14-01**
- (52) **U.S. Cl.**  
USPC ..... **D14/223; D14/224.1**
- (58) **Field of Classification Search**  
USPC ... D14/223, 205, 224, 224.1, 251, 253, 149, D14/192, 240, 434, 447, 148, 142, 150, D14/238.1, 366, 316.8; D13/108; 248/111, 314; 206/349; 211/89.01; 181/129, 130, 135; 379/430, 431; 381/380, 381; 455/90.3, 575.1  
CPC ..... H04R 25/00; H04R 1/10; A47F 7/00  
See application file for complete search history.

- 2,987,585 A \* 6/1961 Abysalh ..... H04M 1/0297  
248/301
- D191,165 S \* 8/1961 Dellaguardia ..... D14/253
- D207,403 S \* 4/1967 Schulke ..... D14/253
- D209,967 S \* 1/1968 Cleaman ..... 379/455
- D216,641 S \* 2/1970 Phillips ..... D14/253
- D227,117 S \* 6/1973 Breger ..... D14/251
- 4,088,848 A \* 5/1978 Weed ..... B60R 11/0247  
248/314
- 4,219,178 A \* 8/1980 Assion ..... A45D 20/12  
211/89.01
- D257,977 S \* 1/1981 Blomberg ..... D14/148
- D261,509 S \* 10/1981 Cobb ..... D14/253
- D262,212 S \* 12/1981 Janda ..... D14/149

(Continued)

*Primary Examiner* — Paula Greene  
(74) *Attorney, Agent, or Firm* — Daniel Pierron; Mark Malek; Widerman Malek, PL

(57) **CLAIM**

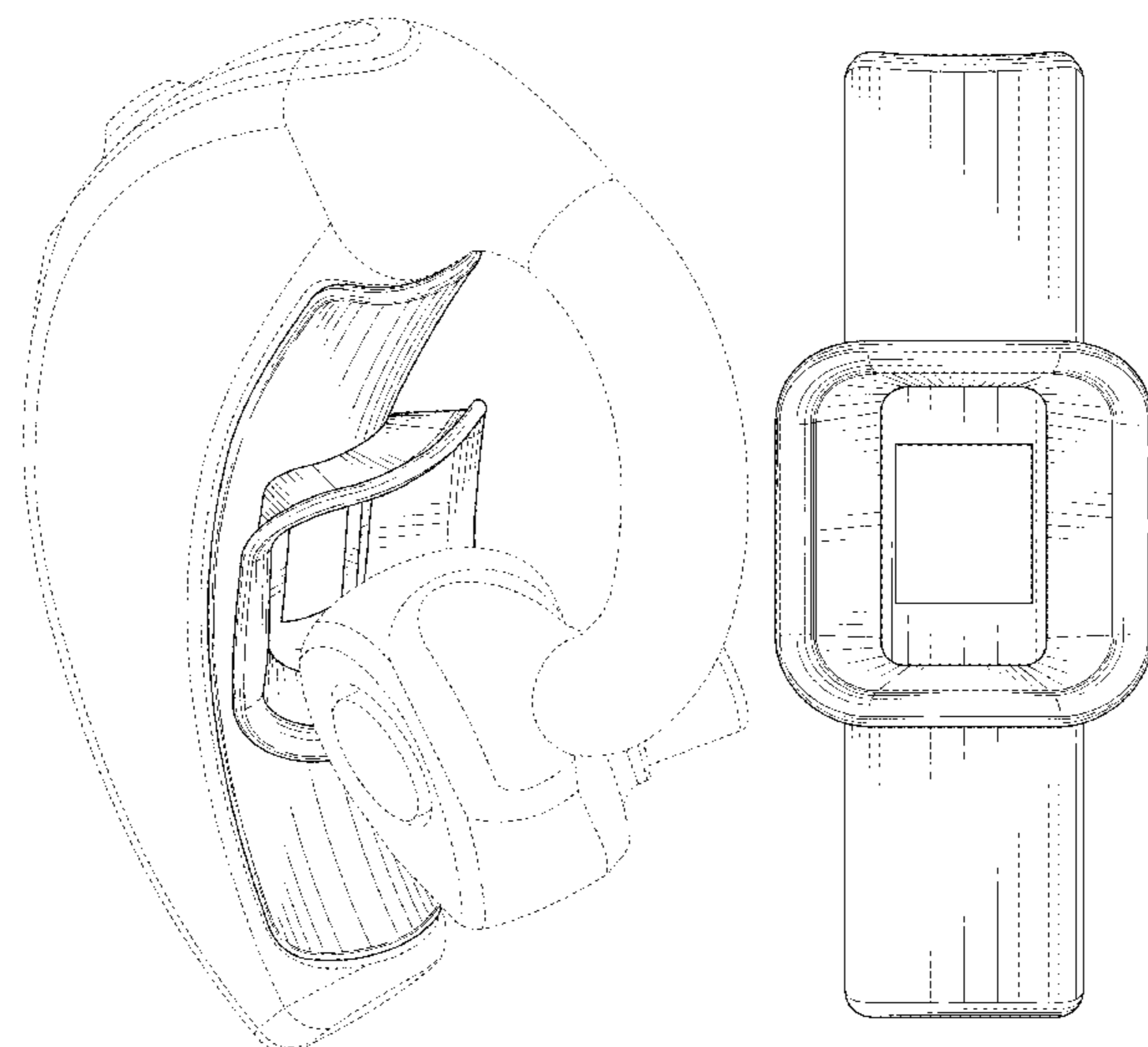
The ornamental design for an earpiece shroud, as shown and described.

**DESCRIPTION**

FIG. 1 is a perspective view of an earpiece shroud according to an embodiment of the present invention.  
 FIG. 2 is a front elevation view of the earpiece shroud of FIG. 1.  
 FIG. 3 is a rear elevation view of the earpiece shroud of FIG. 1.  
 FIG. 4 is a left elevation view of the earpiece shroud of FIG. 1.  
 FIG. 5 is a right elevation view of the earpiece shroud of FIG. 1.  
 FIG. 6 is a top plan view of the earpiece shroud of FIG. 1; and,  
 FIG. 7 is a bottom plan view of the earpiece shroud of FIG. 1.  
 The broken lines depict elements of the earpiece shroud that do not form a claimed feature of the present invention.

**1 Claim, 4 Drawing Sheets**

- (56) **References Cited**  
U.S. PATENT DOCUMENTS
- 2,339,413 A \* 1/1944 King ..... H04M 1/04  
248/304
- 2,354,470 A \* 7/1944 McGill Topken ..... H04M 1/04  
131/260
- D140,685 S \* 3/1945 Braun ..... D14/229
- D145,084 S \* 6/1946 Hutt et al. .... D6/526
- D158,060 S \* 4/1950 Flatter et al. .... D14/253
- 2,639,880 A \* 5/1953 Belloff ..... A45D 27/29  
206/349
- 2,695,152 A \* 11/1954 Parulski ..... A47J 47/16  
248/304
- D184,307 S \* 1/1959 Dreyfuss et al. .... D14/148



(56)

**References Cited**

U.S. PATENT DOCUMENTS

|           |      |         |                 |                      |
|-----------|------|---------|-----------------|----------------------|
| 4,527,018 | A *  | 7/1985  | Offredi .....   | H04M 1/04<br>379/446 |
| D280,098  | S *  | 8/1985  | McGarvey .....  | D14/149              |
| D286,636  | S *  | 11/1986 | Cooke .....     | D14/253              |
| D301,883  | S *  | 6/1989  | Kroplopp .....  | D14/142              |
| D305,120  | S *  | 12/1989 | Gariano .....   | D14/142              |
| D306,299  | S *  | 2/1990  | Soren .....     | D14/138 R            |
| D308,870  | S *  | 6/1990  | Rioux, Jr. .... | D14/251              |
| D320,992  | S *  | 10/1991 | Jondelius ..... | D14/253              |
| D321,885  | S *  | 11/1991 | Sheldrake ..... | D14/138 R            |
| D387,784  | S *  | 12/1997 | Nakamura .....  | D14/155              |
| D433,005  | S *  | 10/2000 | McGugan .....   | D14/142              |
| D461,794  | S *  | 8/2002  | Polito .....    | D14/224              |
| 6,443,343 | B2 * | 9/2002  | Kamiya .....    | 224/269              |
| D496,029  | S *  | 9/2004  | Skulley .....   | D14/224              |
| D553,106  | S *  | 10/2007 | Griffin .....   | D14/217              |
| D564,501  | S *  | 3/2008  | Rath .....      | D14/224              |
| D588,192  | S *  | 3/2009  | Han .....       | D18/43               |
| D593,998  | S *  | 6/2009  | Bentley .....   | D14/224              |
| D595,697  | S *  | 7/2009  | Mao .....       | D14/205              |
| D602,008  | S *  | 10/2009 | Bentley .....   | D14/205              |

\* cited by examiner

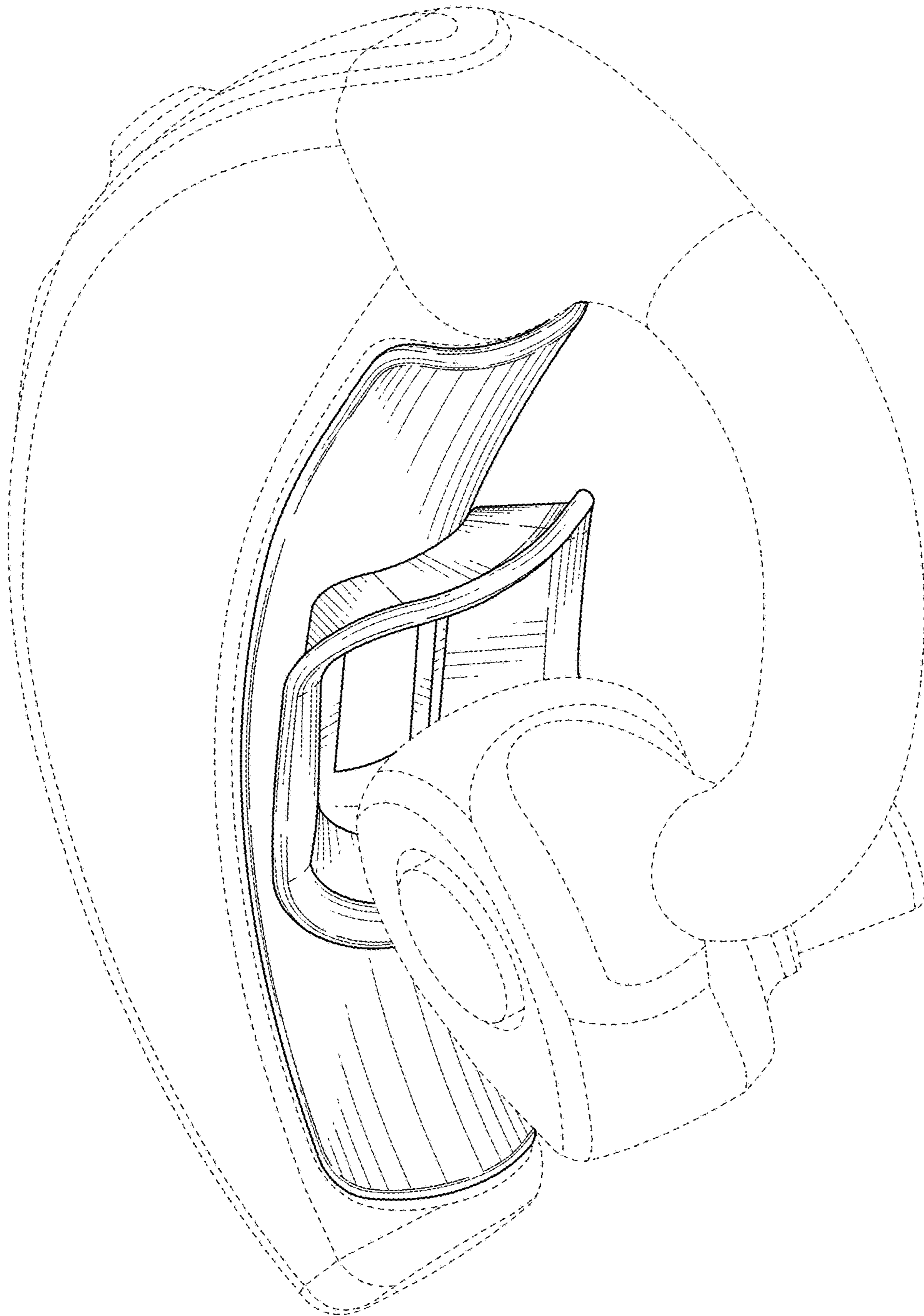


FIG. 1

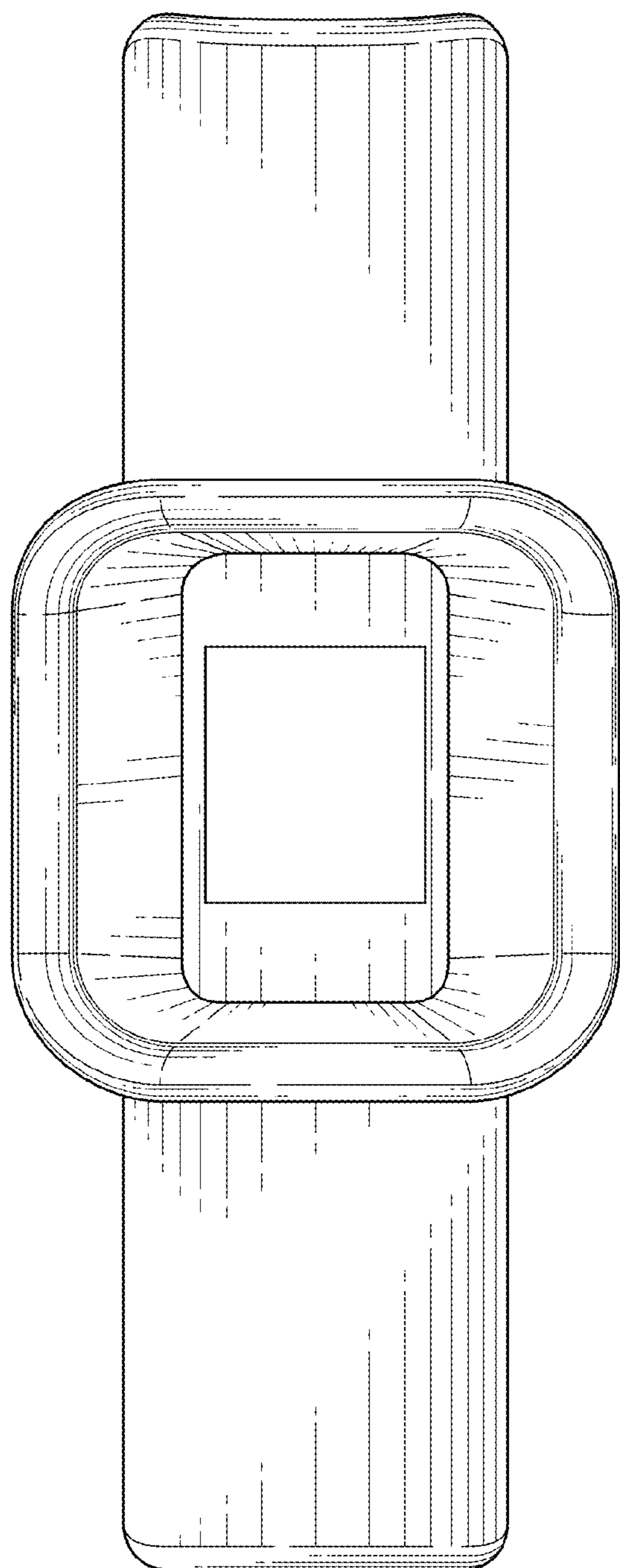


FIG. 2

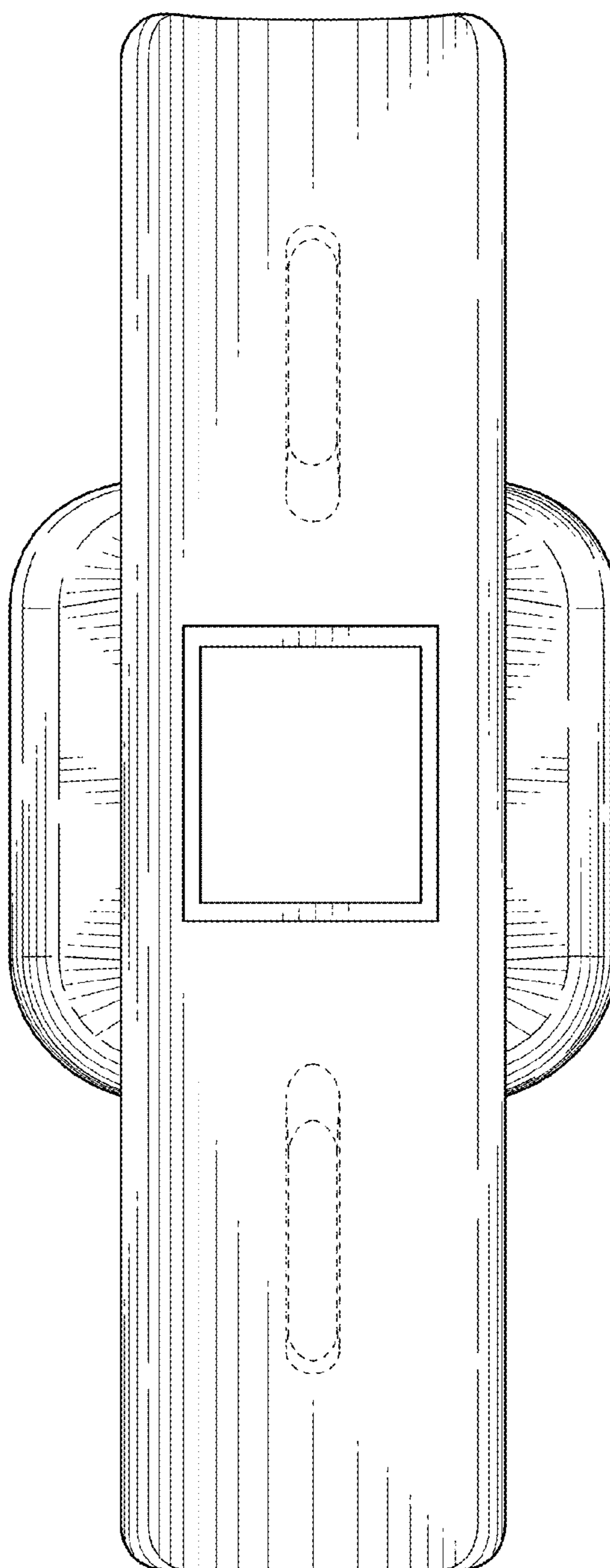


FIG. 3

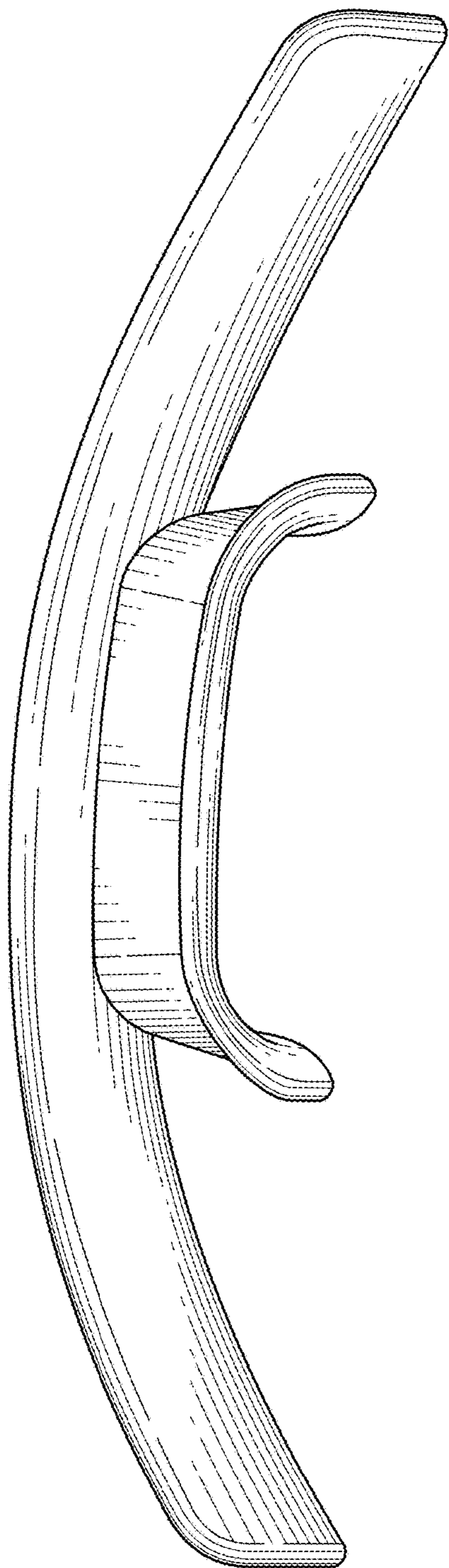


FIG. 4

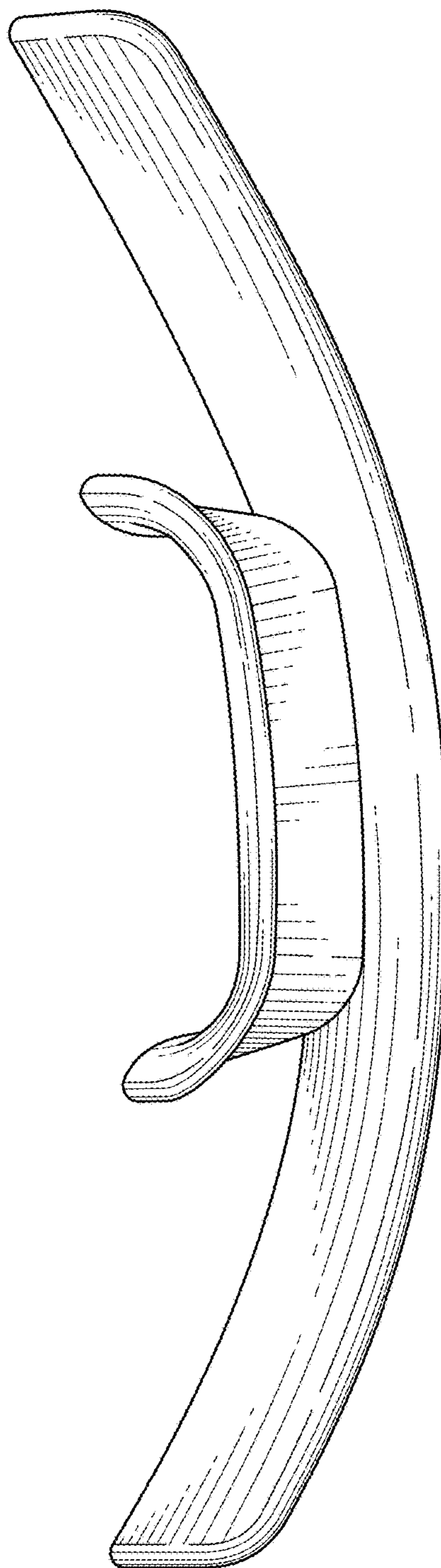


FIG. 5

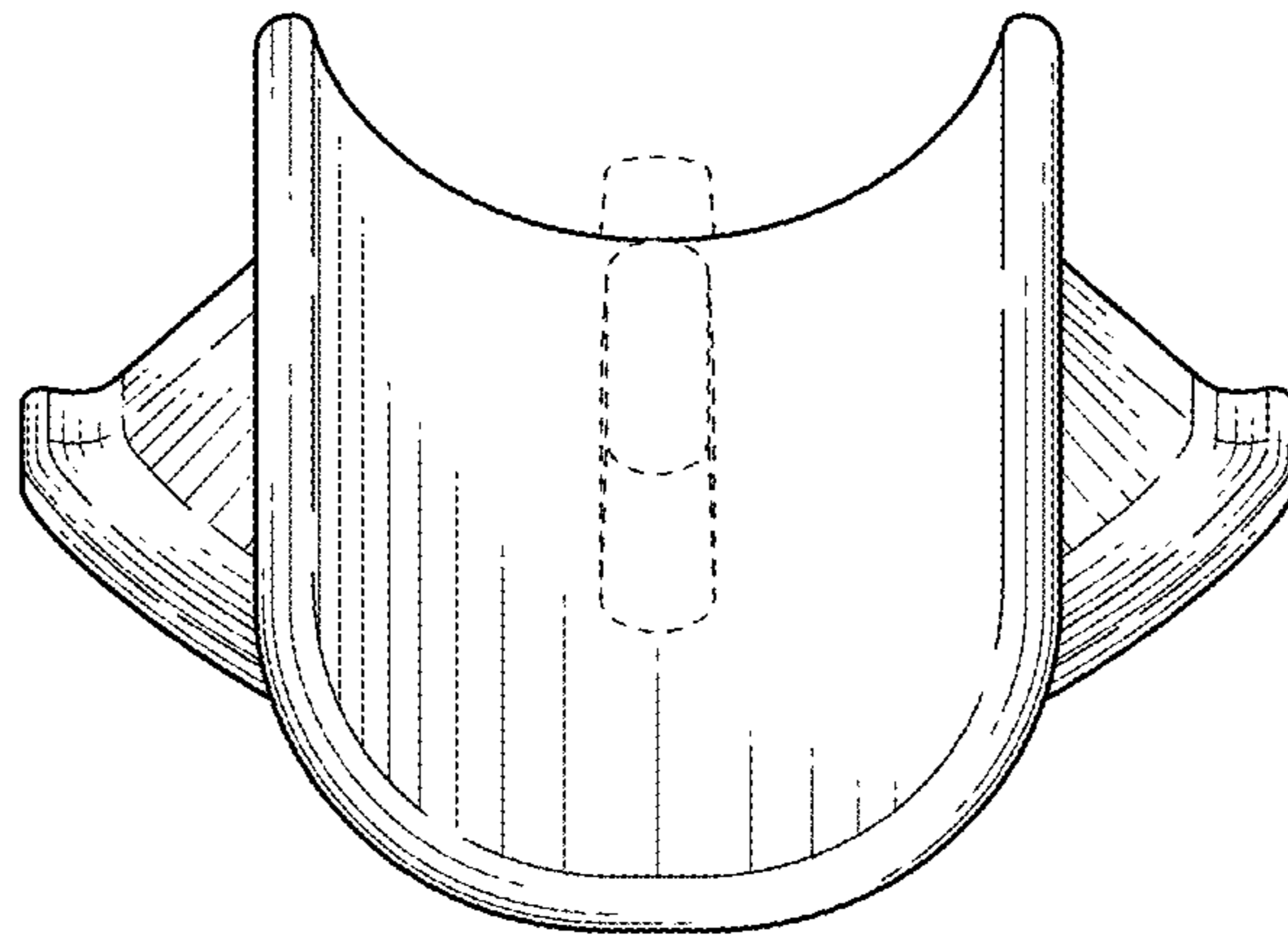


FIG. 6

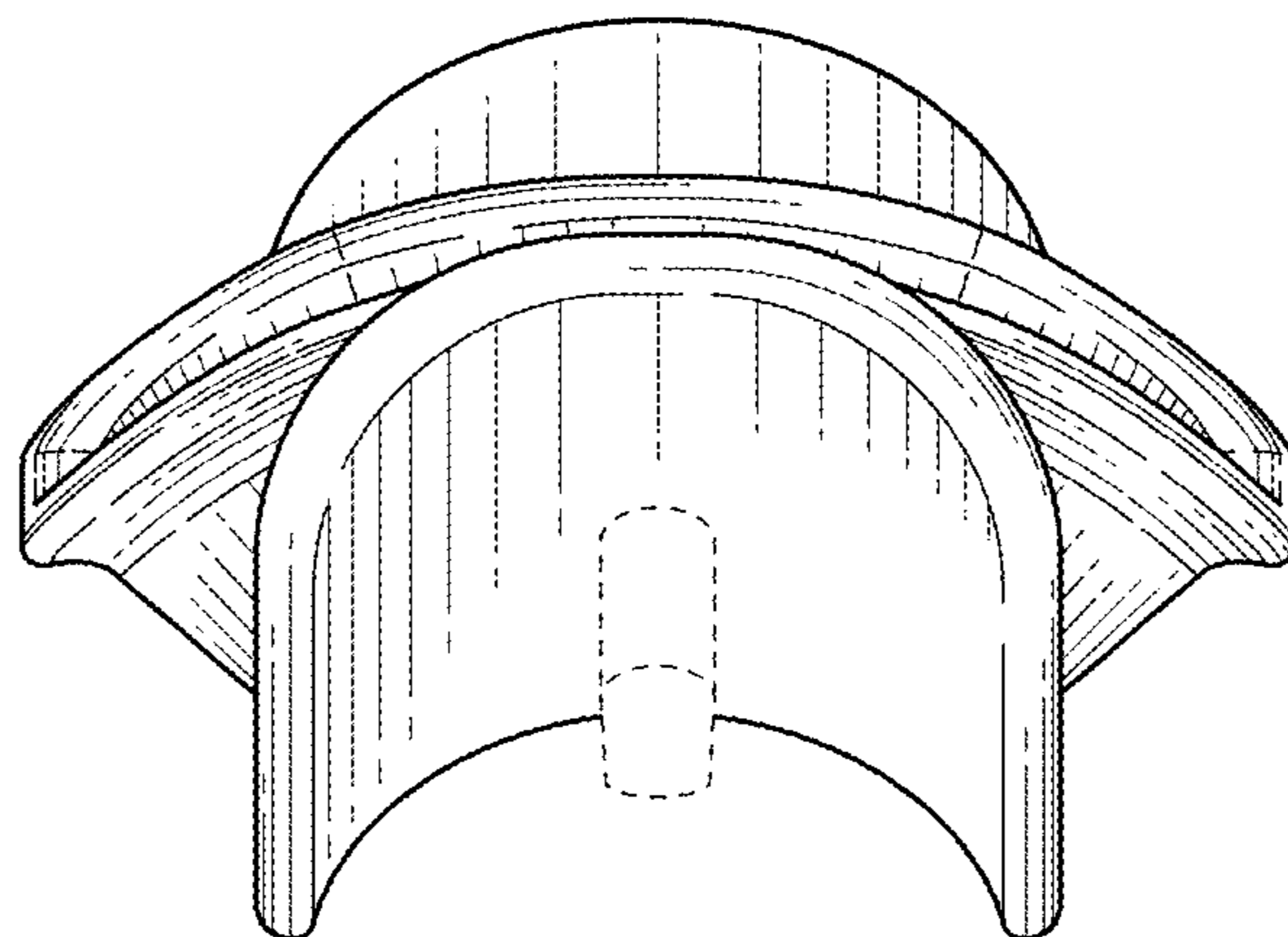


FIG. 7