



US00D777709S

(12) **United States Design Patent**
Yau et al.

(10) **Patent No.:** **US D777,709 S**
(45) **Date of Patent:** **** Jan. 31, 2017**

(54) **JACKET FOR A PORTABLE SPEAKER**

FOREIGN PATENT DOCUMENTS

(71) Applicant: **Fugoo Corporation**, Irvine, CA (US)

JP 2008-028686 2/2008
JP 1408180 S 1/2011

(72) Inventors: **Ho Koon Yau**, Yorba Linda, CA (US);
Alejandro Garfio, West Covina, CA (US);
Kit Mok, Lakewood, CA (US);
Howard Shi-How Cheng, Irvine, CA (US)

(Continued)

(73) Assignee: **FUGOO CORPORATION**, Irvine, CA (US)

OTHER PUBLICATIONS

Libratone Live Wireless Airplay Speakers, <https://shop.libratone.com/en-us/wireless-airplay-speakers/libratone-live/c-54/c-288/p-207/>, retrieved on Jan. 6, 2014.

(Continued)

(**) Term: **15 Years**

Primary Examiner — Prabhakar Deshmukh

(21) Appl. No.: **29/536,252**

(74) *Attorney, Agent, or Firm* — Knobbe, Martens, Olson & Bear LLP

(22) Filed: **Aug. 14, 2015**

Related U.S. Application Data

(62) Division of application No. 29/476,081, filed on Dec. 10, 2013, now Pat. No. Des. 736,747.

(51) **LOC (10) Cl.** **14-01**

(52) **U.S. Cl.**

USPC **D14/221**; D14/209.1

(58) **Field of Classification Search**

USPC D14/204, 204.1, 210–216, 434, 265, 221, D14/209, 168, 170–172, 194–196; 181/143, 181/144, 147, 148, 150–153, 157, 198, 199; 381/300–306, 332, 333, 336, 345, 361–364

CPC ... B60R 11/0217; G06F 1/1688; H04M 1/035; H04R 1/02; H04R 11/026; H04R 1/323; H04R 2400/00

See application file for complete search history.

(56) **References Cited**

U.S. PATENT DOCUMENTS

D223,580 S 5/1972 Richards
4,439,644 A * 3/1984 Bruney, III G10K 11/002
181/151

(Continued)

(57) **CLAIM**

The ornamental design for a jacket for a portable speaker, as shown and described.

DESCRIPTION

FIG. 1 is a top, front and side perspective view of a jacket for a portable speaker embodying my new design.

FIG. 2 is a front view thereof.

FIG. 3 is a back view thereof.

FIG. 4 is a first side view thereof.

FIG. 5 is a second side view thereof.

FIG. 6 is a top view thereof

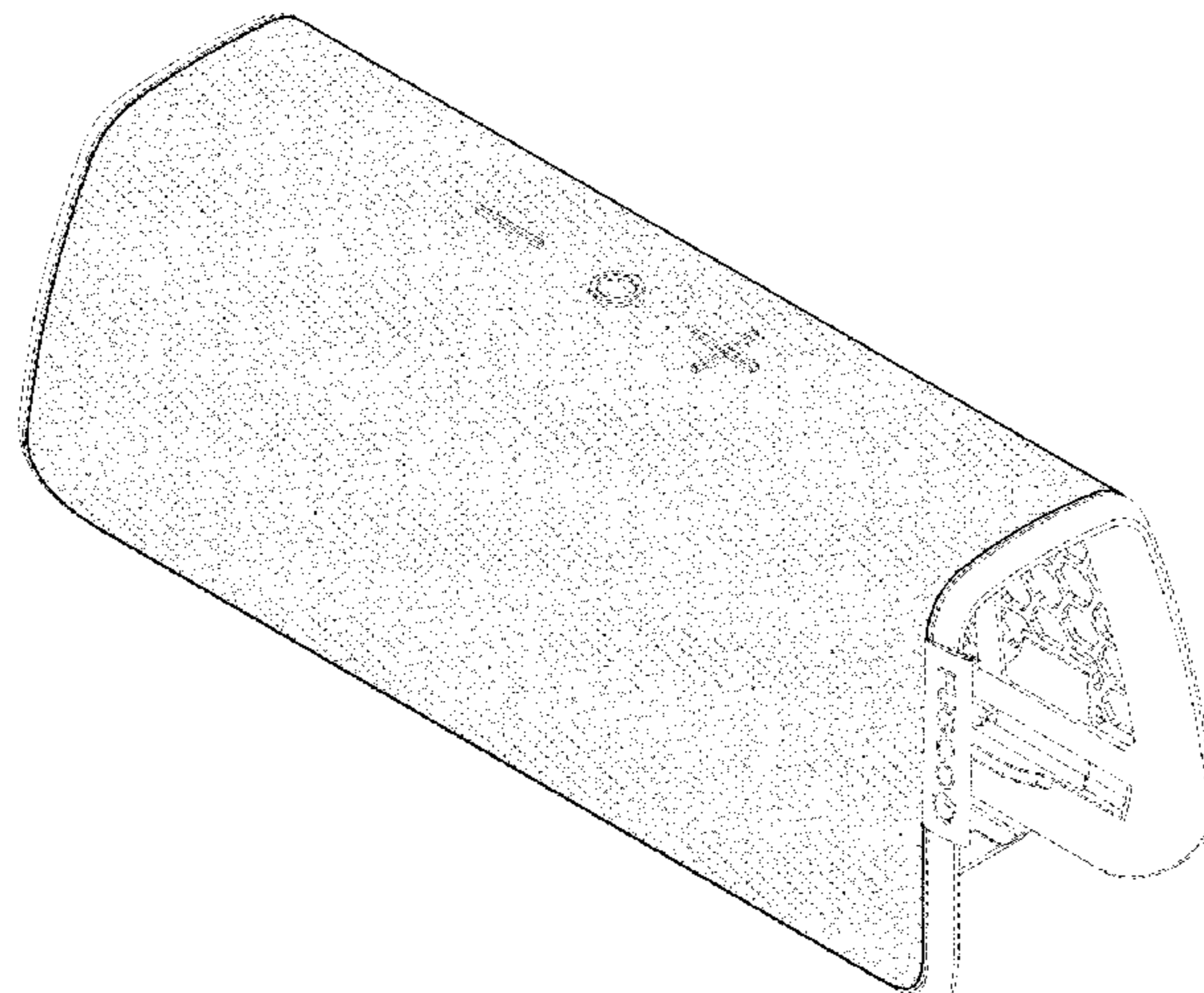
FIG. 7 is a bottom view thereof.

FIG. 8 is a bottom, front and side perspective view thereof; and,

FIG. 9 is a top, front and side perspective view thereof, shown in environmental use.

Broken lines are used to illustrate features of the jacket for a portable speaker which form no part of the claimed design. In FIG. 9, the jacket is shown surrounding a portable speaker shown to represent environment which forms no part of the claimed design.

1 Claim, 8 Drawing Sheets



(56)

References Cited

U.S. PATENT DOCUMENTS

4,805,729 A * 2/1989 Wascom H04R 1/26
181/144

6,035,962 A 3/2000 Lin

6,295,263 B1 9/2001 Obata

D471,178 S * 3/2003 Jordan D14/212

6,665,412 B1 12/2003 Mizoguchi

D491,165 S 6/2004 Hakoda

D503,676 S * 4/2005 Krieger D13/110

6,910,548 B2 6/2005 Powell

D507,395 S * 7/2005 Choi D2/925

7,155,026 B2 12/2006 Augustin, Sr. et al.

D534,897 S 1/2007 Bhakta

D535,976 S 1/2007 Ng et al.

7,221,772 B2 5/2007 Evenisse et al.

7,242,785 B2 7/2007 McNary

D551,208 S 9/2007 Yano

D552,081 S 10/2007 Yano

D553,120 S 10/2007 Yano

D556,737 S 12/2007 Oh

D579,953 S 11/2008 Chen

7,469,052 B2 12/2008 Peavey

D611,450 S 3/2010 Miyazaki

D619,116 S 7/2010 Skurdal

7,764,806 B2 7/2010 Pei et al.

D621,383 S 8/2010 Hou

D642,156 S 7/2011 Joseph

D646,665 S 10/2011 Iijima

8,090,137 B2 1/2012 Ryan

D661,286 S 6/2012 McManigal et al.

8,194,897 B2 6/2012 Choi

D673,525 S 1/2013 Goetzen et al.

8,351,638 B2 1/2013 Park

8,406,449 B2 3/2013 Wegener

D705,753 S 5/2014 Kimura

D710,332 S 8/2014 Baird

D726,685 S 4/2015 Cheng

D733,099 S 6/2015 Pupecki et al.

D734,738 S 7/2015 Jackson et al.

D735,168 S 7/2015 Cheng et al.

D736,745 S 8/2015 Yau et al.

D736,746 S 8/2015 Cheng et al.

D736,747 S 8/2015 Yau et al.

D737,246 S 8/2015 Billington

D737,247 S 8/2015 Billington

2003/0128849 A1 7/2003 Meyer

2004/0208336 A1 10/2004 Hamada

2005/0031148 A1 2/2005 McNary

2006/0049938 A1 3/2006 Wilson

2007/0177741 A1 8/2007 Williamson

2008/0132289 A1 6/2008 Wood et al.

2009/0161903 A1 6/2009 White

2009/0180662 A1 7/2009 Parker

2011/0075877 A1 3/2011 Hao et al.

2011/0170725 A1 7/2011 Liu

2012/0082317 A1 4/2012 Pance et al.

2013/0177196 A1 7/2013 Lee

2014/0355806 A1 12/2014 Graff

2015/0195635 A1 7/2015 Garfio et al.

FOREIGN PATENT DOCUMENTS

JP 1452612 S 9/2012

JP 1512788 S 10/2014

JP 1516229 S 12/2014

KR 10-2007-01041 90 10/2007

WO WO 2007/100706 9/2007

WO WO 2011/011224 1/2011

OTHER PUBLICATIONS

Libratone Zipp, http://reviews.cnet.com/bluetooth-speakers/libratone-zipp-gray/4505-34810_7-35530587.html?autoplay=true, CNET review date of Nov. 12, 2012, retrieved on Jan. 8, 2014.

JBL Flip, http://reviews.cnet.com/bluetooth-speakers/jbl-flip-black/4505-34810_7-35550919.html, CNET review date of Dec. 21, 2012, retrieved on Jan. 6, 2014.

Jawbone Jambox, http://reviews.cnet.com/portable-speakers/jawbone-jambox-black-diamond/4505-11313_7-34207708.html, CNET review date of Nov. 4, 2010, retrieved on Jan. 6, 2014.

Jawbone Big Jambox, http://reviews.cnet.com/bluetooth-speakers/jawbone-big-jambox-graphite/4505-34810_7-35244085.html, CNET review date of Apr. 30, 2012, retrieved on Jan. 6, 2014.

Logitech UE Boom, http://reviews.cnet.com/portable-speakers/logitech-ue-boom-blue/4505-11313_7-35765418.html, CNET review date of Jun. 18, 2013, retrieved on Jan. 6, 2014.

JBL Charge, http://reviews.cnet.com/portable-speakers/jbl-charge-blue/4505-11313_7-35613369.html, CNET review date of Apr. 8, 2013, retrieved on Jan. 6, 2014.

Beats Pill, http://reviews.cnet.com/portable-speakers/beats-pill-black/4505-11313_7-35493112.html, CNET review date of Nov. 21, 2012, retrieved on Jan. 6, 2014.

Jawbone Mini Jambox, <http://www.bestbuy.com/site/jawbone-mini-jambox-wireless-speaker-blue-diamond/1584782.p?id=1219056361326&skuId=1584782>, retrieved on Mar. 13, 2015.

Jensen Bluetooth Wireless Stereo Speaker, <http://www.bestbuy.com/site/jensen-bluetooth-wireless-stereo-speaker-black/6544488.p?id=1218748100411&skuId=6544488>, retrieved on Mar. 13, 2015.

International Search Report and Written Opinion for International Application No. PCT/US2015/010057, Notification mailed Apr. 20, 2015.

Violano, "Could the Aqua Tek S Be the Ultimate in Protection for your iPhone?", date listed Mar. 4, 2012. AppAdvice.

Cruz, "Stylin'and Dialin'—The Pursecase is a Mut-Have Case Every Female iPhoneer", date listed Jul. 23, 2013, TechWeLike.

* cited by examiner

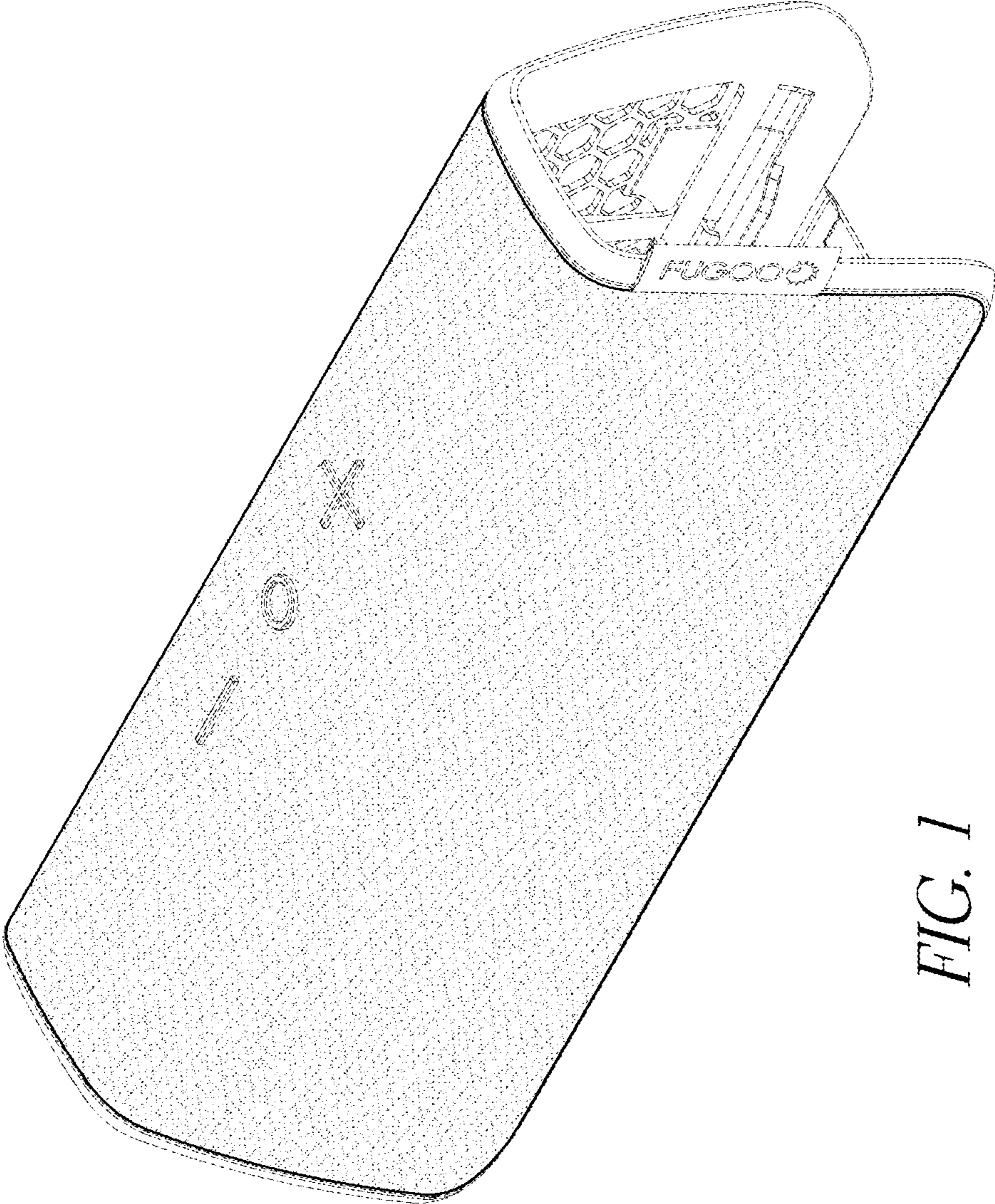


FIG. 1

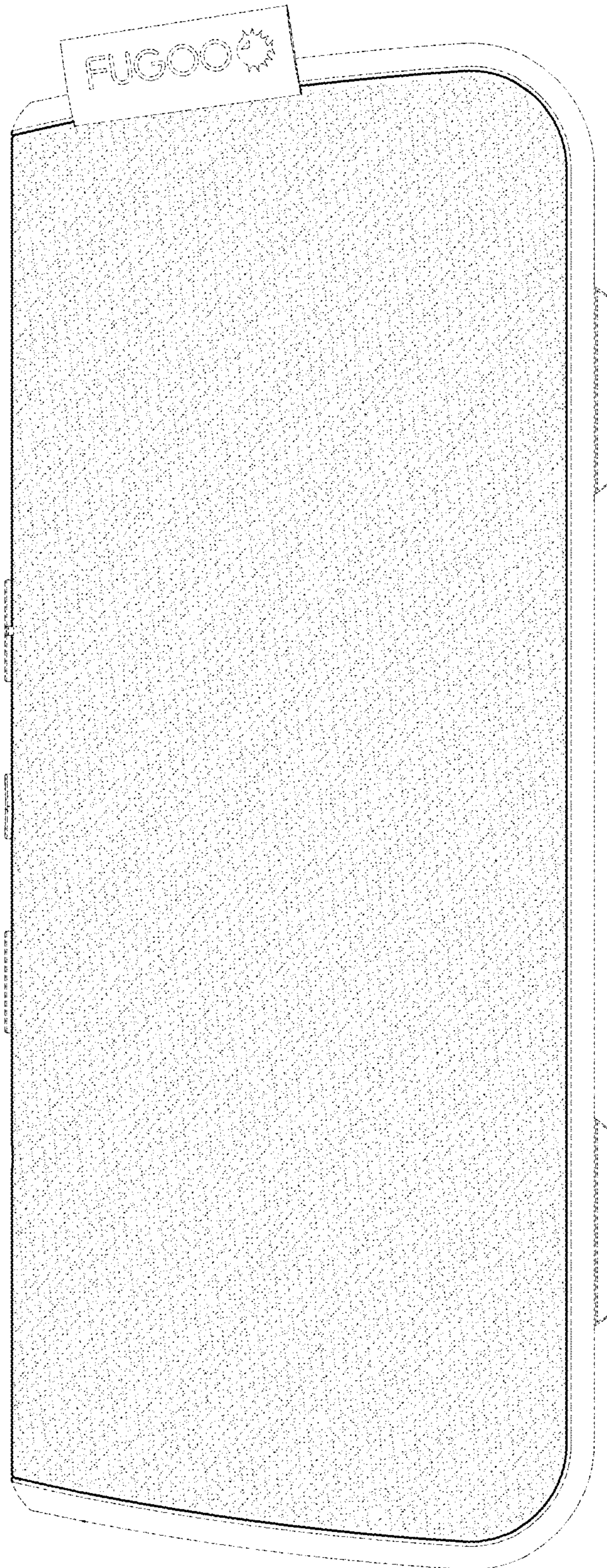


FIG. 2

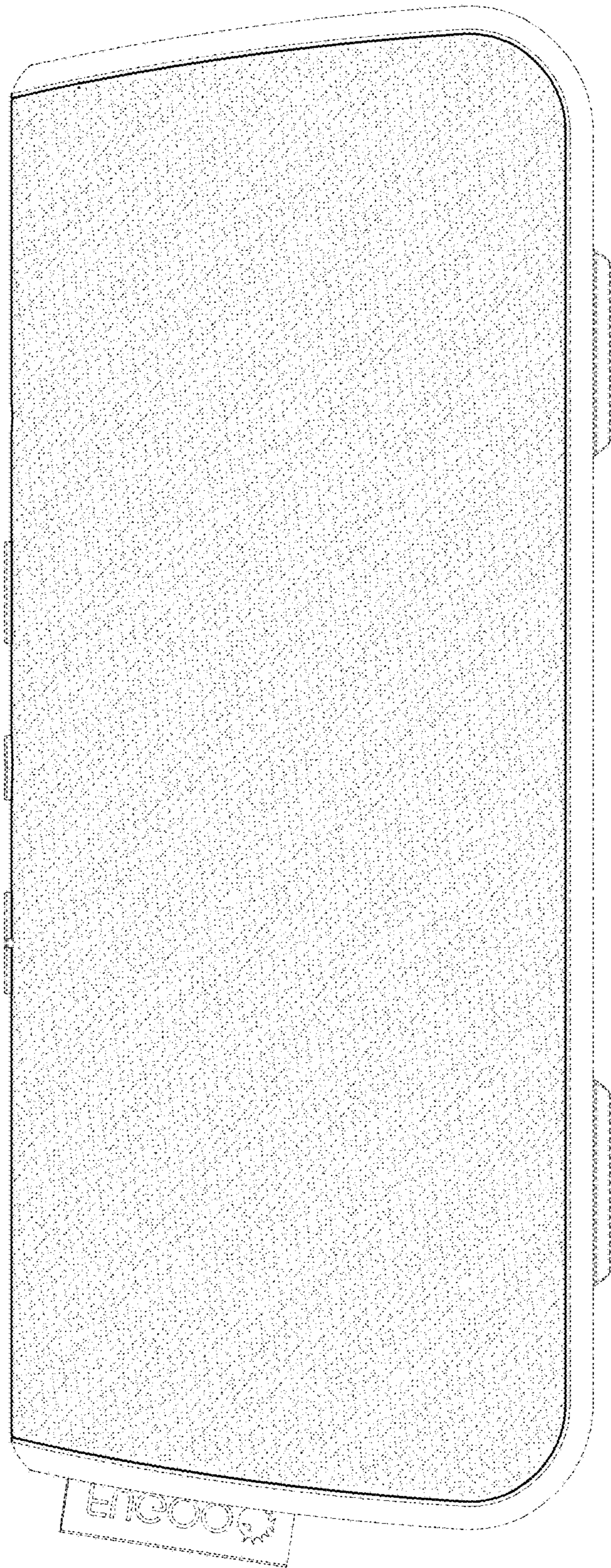


FIG. 3

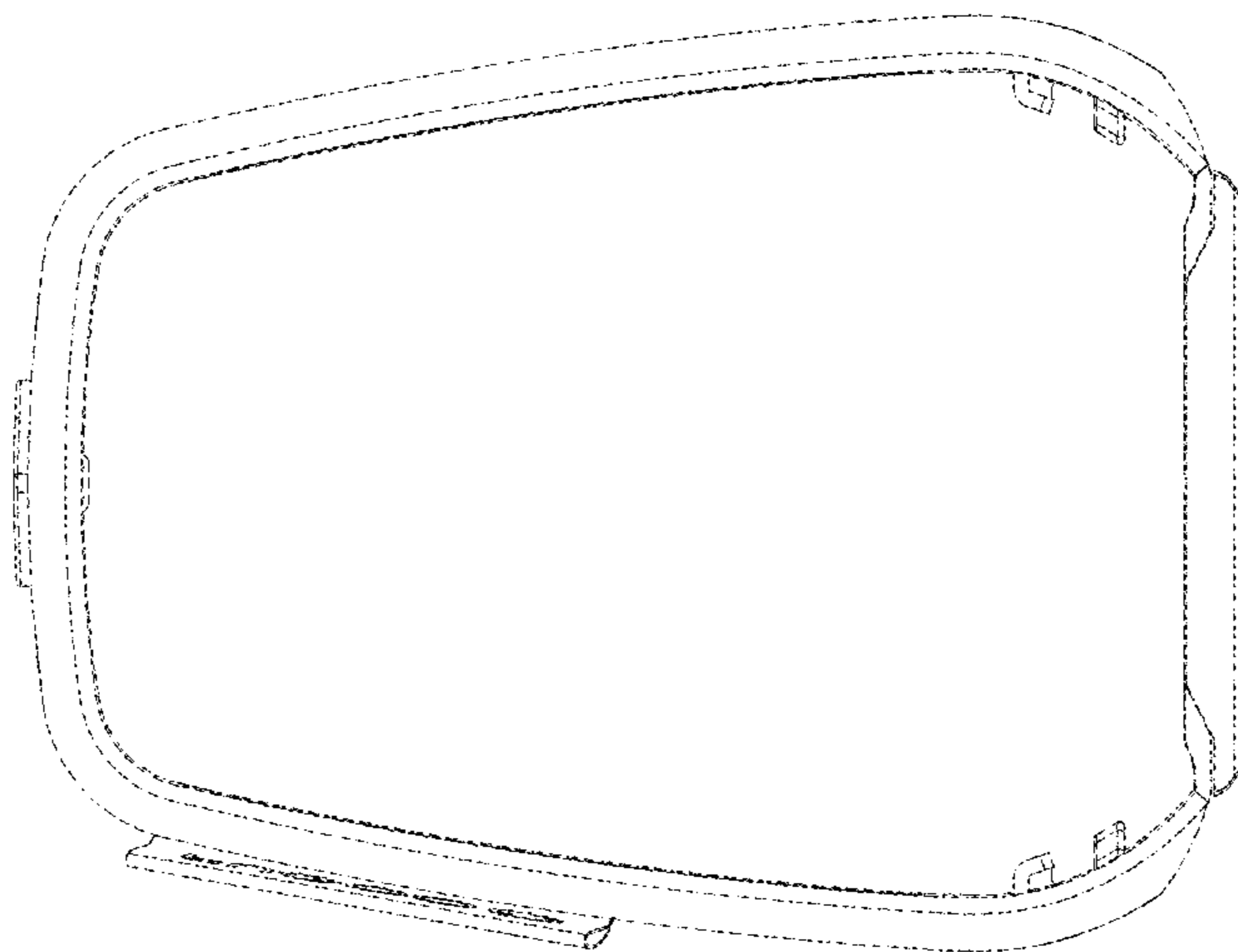


FIG. 5

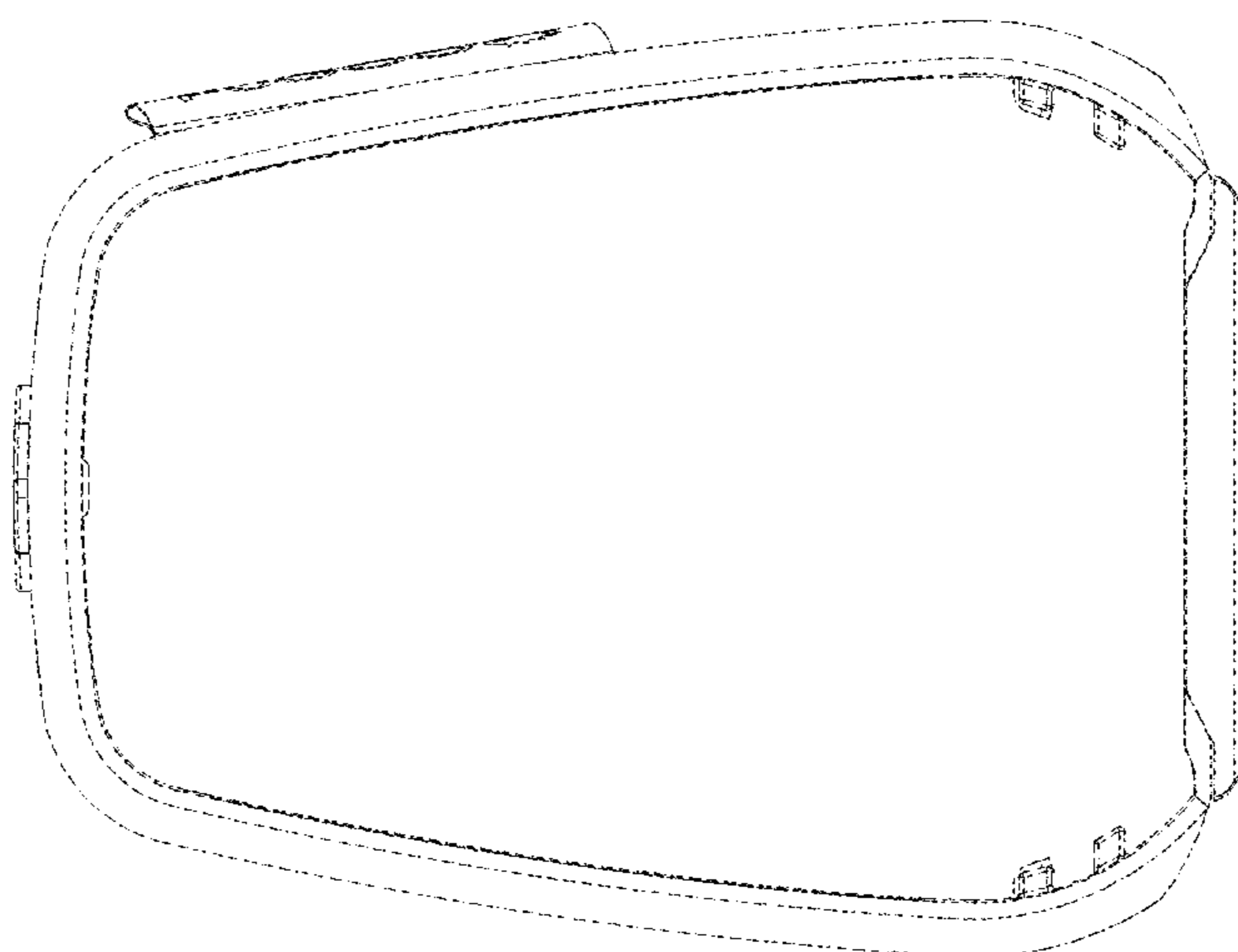


FIG. 4

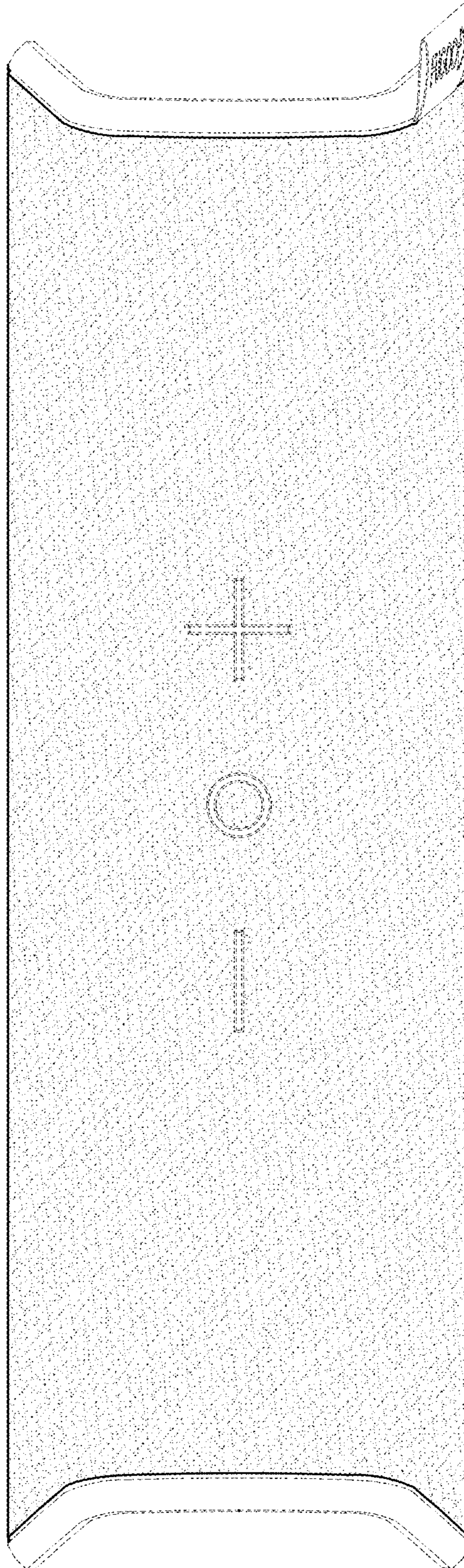


FIG. 6

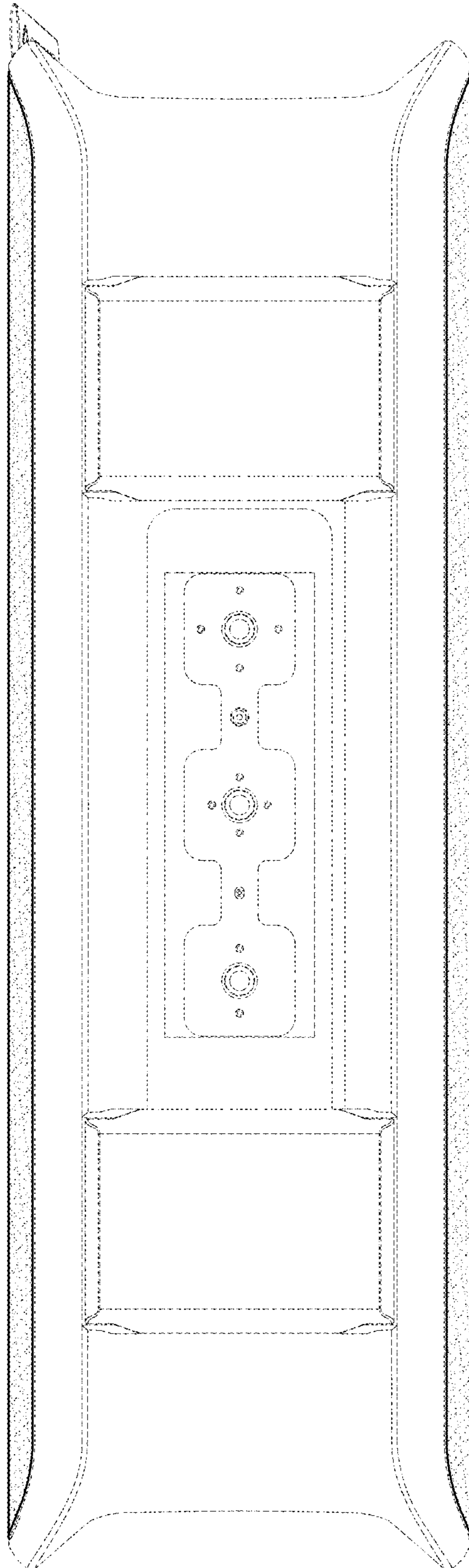


FIG. 7

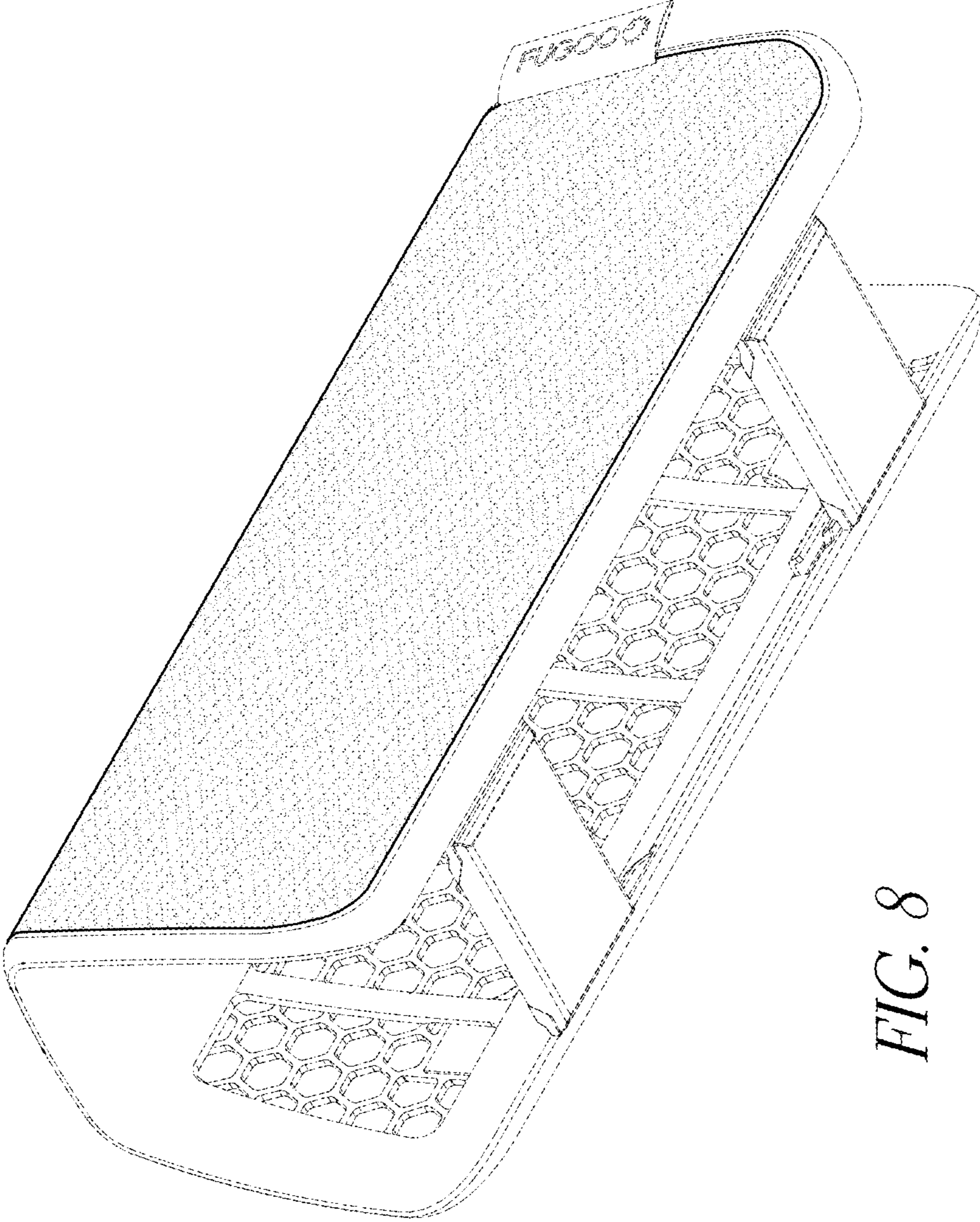


FIG. 8

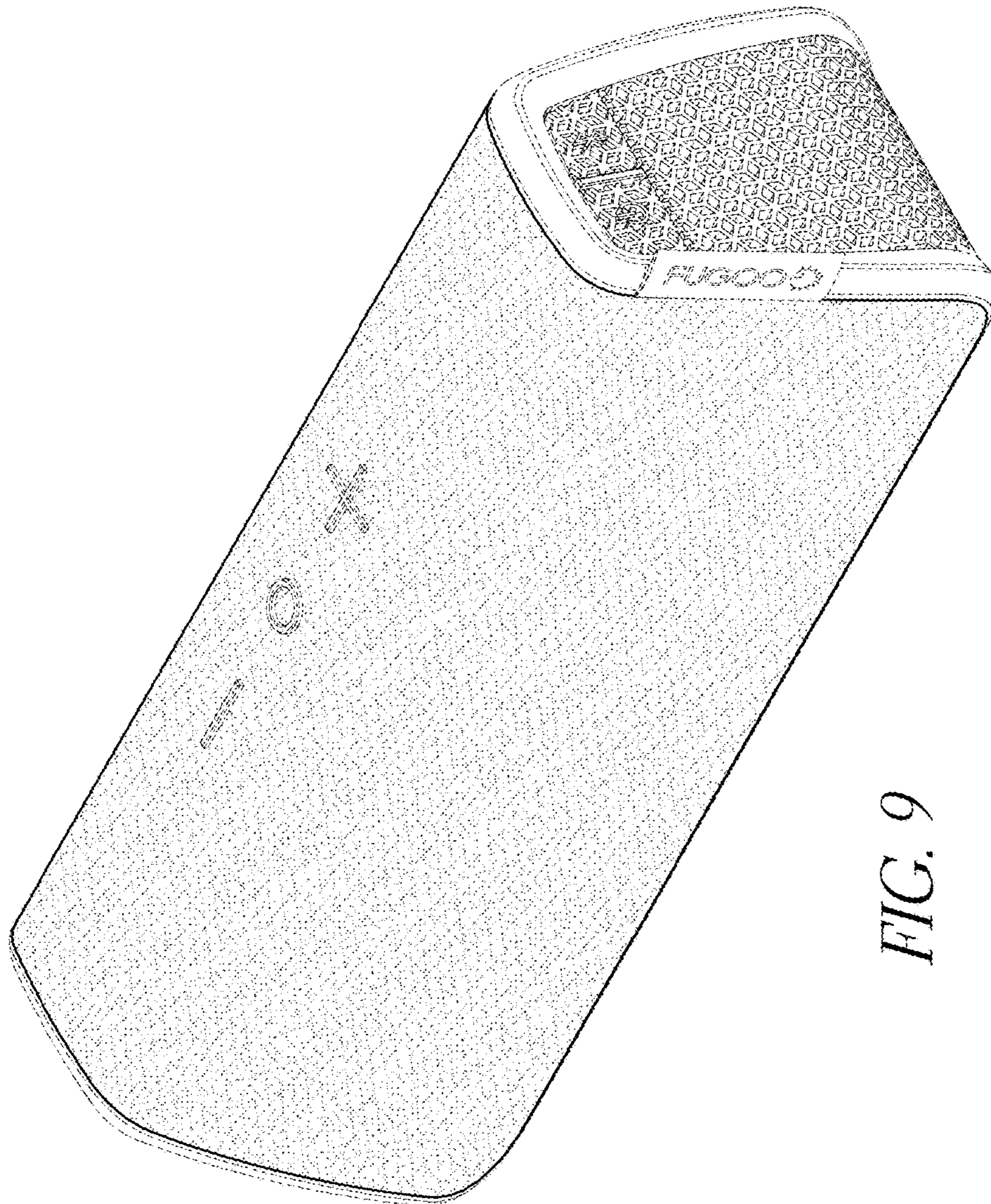


FIG. 9