



US00D777707S

(12) **United States Design Patent**  
**Kimura**

(10) **Patent No.:** **US D777,707 S**  
(45) **Date of Patent:** **\*\* Jan. 31, 2017**

- (54) **SPEAKER FOR CARS**
- (71) Applicant: **JVC KENWOOD CORPORATION**,  
Kanagawa (JP)
- (72) Inventor: **Hideyuki Kimura**, Kanagawa (JP)
- (73) Assignee: **JVC KENWOOD CORPORATION**,  
Kanagawa (JP)
- (\*\*) Term: **15 Years**
- (21) Appl. No.: **29/539,109**
- (22) Filed: **Sep. 10, 2015**
- (30) **Foreign Application Priority Data**  
Jul. 22, 2015 (JP) ..... 2015-016334
- (51) **LOC (10) Cl.** ..... **14-01**
- (52) **U.S. Cl.**  
USPC ..... **D14/216; D14/222**
- (58) **Field of Classification Search**  
USPC ..... D14/216, 215, 222, 221; 181/144-148,  
181/156, 170, 173, 141, 182, 396, 186;  
381/380, 381, 421, 423, 426, 427, 397,  
381/186, 182, 412, 386  
CPC ..... H04R 1/00; H04R 1/02; H04R 1/24;  
H04R 25/00  
See application file for complete search history.

- (56) **References Cited**  
U.S. PATENT DOCUMENTS
- 1,707,570 A \* 4/1929 Rice ..... H04R 9/02  
381/414
- 1,869,665 A \* 8/1932 Chann ..... H04R 9/045  
381/400
- 1,923,831 A \* 8/1933 Juhasz ..... H04R 9/06  
381/406
- 2,030,648 A \* 2/1936 Meissner ..... H04R 9/022  
165/183
- D148,151 S \* 12/1947 Doblin ..... D14/212

- 2,775,309 A \* 12/1956 Villchur ..... H04R 1/288  
181/151
- D188,541 S \* 8/1960 Matsuoka et al. .... D14/216
- D188,542 S \* 8/1960 Levy ..... D14/216
- D197,716 S \* 3/1964 Boldt ..... D14/216
- D198,377 S \* 6/1964 Wassmann ..... D14/216
- 3,983,337 A \* 9/1976 Babb ..... H04R 7/20  
181/157
- D244,698 S \* 6/1977 Babb ..... D12/206
- D254,252 S \* 2/1980 Matsubara ..... 181/157
- D254,490 S \* 3/1980 Matsubara ..... 181/157
- 4,365,114 A \* 12/1982 Soma ..... H04R 1/323  
181/144
- D276,045 S \* 10/1984 Kawachi ..... D14/215
- D277,278 S \* 1/1985 Matsuda ..... D14/214
- D280,818 S \* 10/1985 Clover, Jr. .... D14/215
- 4,590,332 A \* 5/1986 Delbuck ..... H04R 1/025  
381/186
- D320,020 S \* 9/1991 Iwano ..... D14/216

(Continued)

*Primary Examiner* — Paula Greene  
(74) *Attorney, Agent, or Firm* — Osha Liang LLP

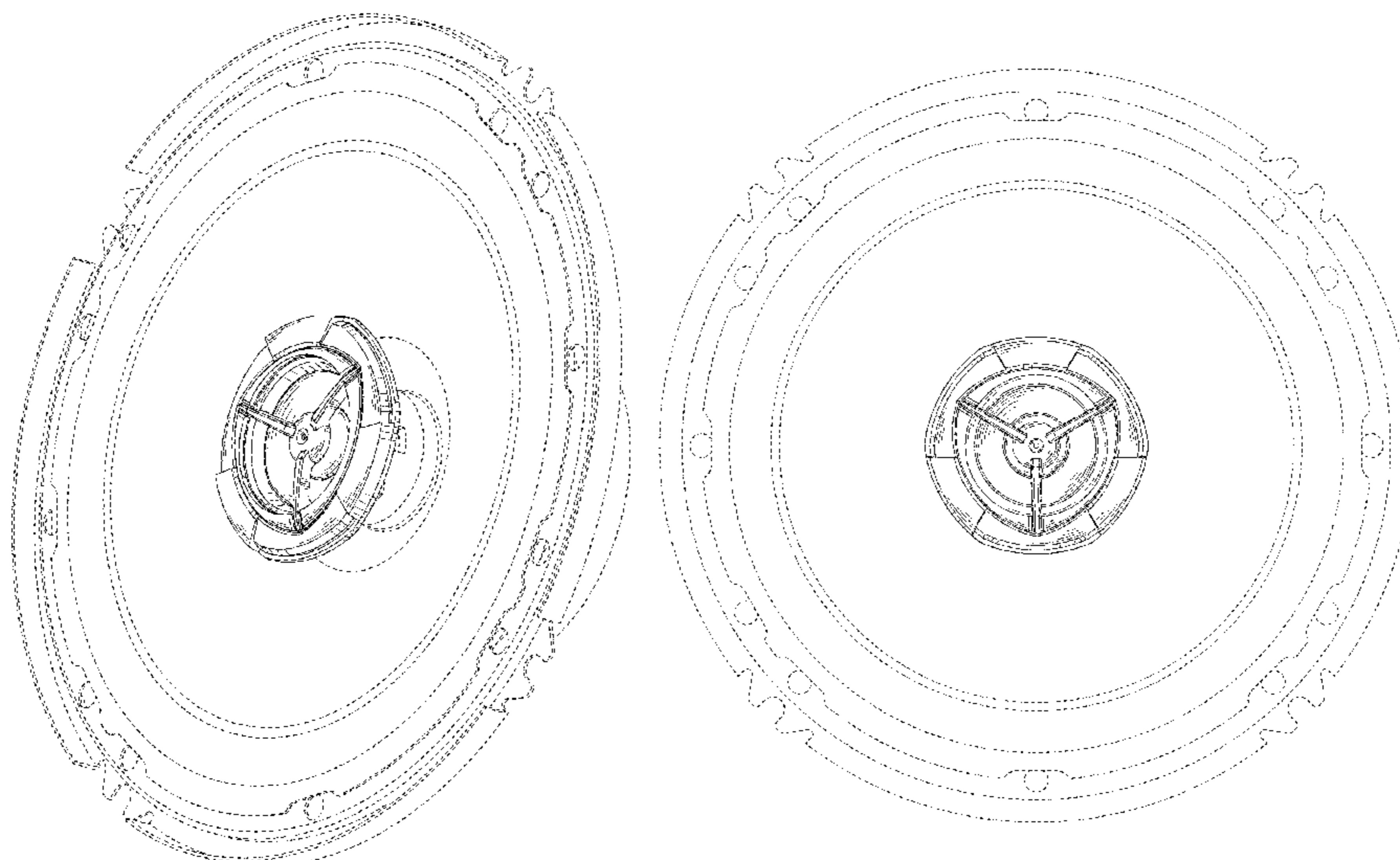
(57) **CLAIM**

The ornamental design for a speaker for cars, as shown and described.

**DESCRIPTION**

FIG. 1 is a perspective view of front, bottom and right side of a speaker for cars showing my new design;  
FIG. 2 is a front view thereof;  
FIG. 3 is a rear view thereof;  
FIG. 4 is a left side view thereof;  
FIG. 5 is a right side view thereof;  
FIG. 6 is a top view thereof; and,  
FIG. 7 is a bottom view thereof.  
The broken lines showing of a speaker for cars are for the purpose of illustrating portions of the speaker for cars and form no part of the claimed design.

**1 Claim, 5 Drawing Sheets**



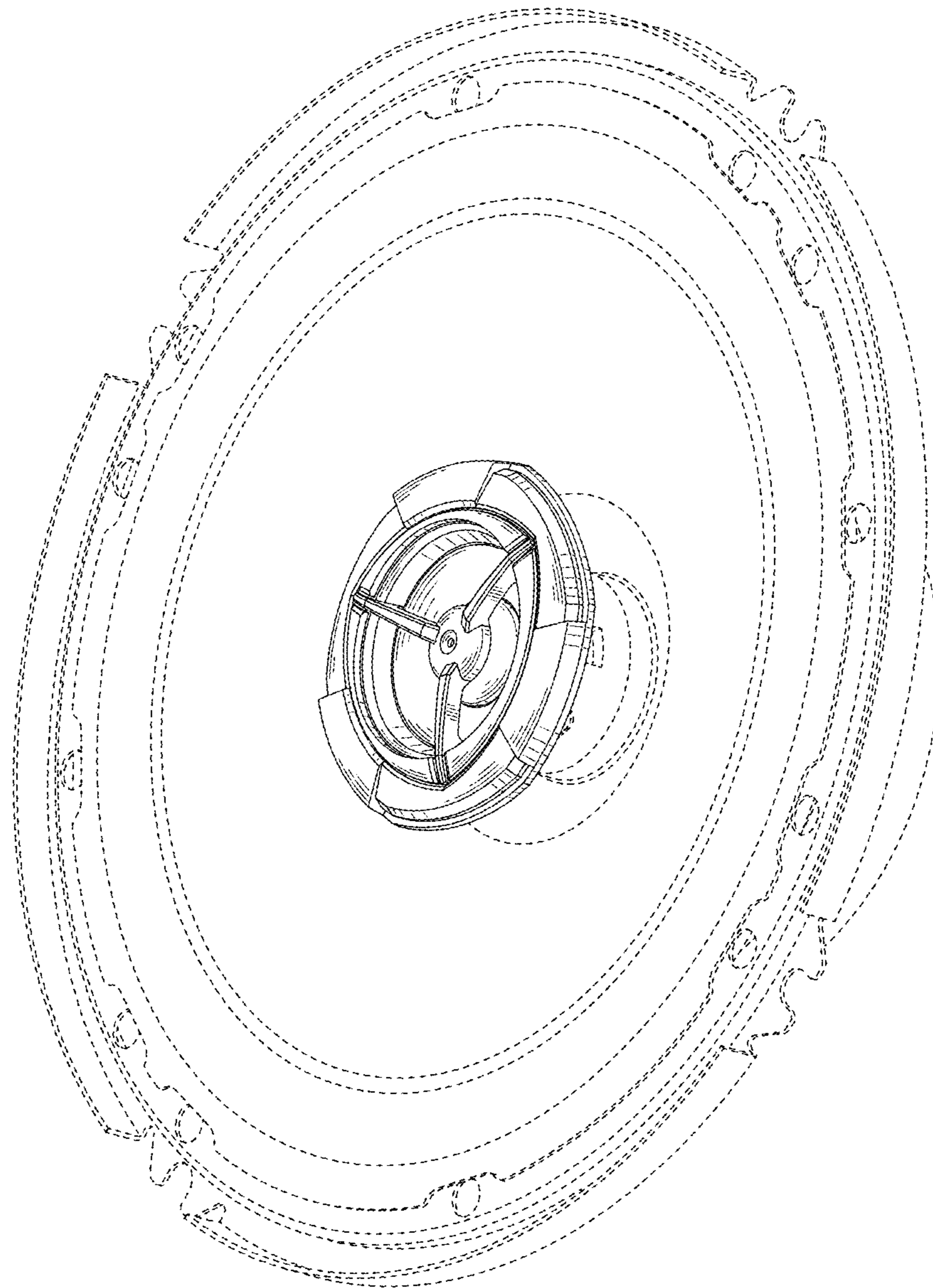
(56)

**References Cited**

## U.S. PATENT DOCUMENTS

5,133,428 A \* 7/1992 Perrson ..... B60R 11/0217  
181/153  
D371,367 S \* 7/1996 Bittencourt ..... D14/215  
D371,788 S \* 7/1996 Kenning ..... D14/188  
D409,198 S \* 5/1999 Harvey ..... D14/214  
6,095,278 A \* 8/2000 Lin ..... H04R 9/06  
181/148  
D432,118 S \* 10/2000 Honnert ..... D14/216  
6,516,076 B1 \* 2/2003 Marlin ..... G10K 11/004  
181/159  
D488,801 S \* 4/2004 Shindo ..... D14/216  
6,792,125 B1 \* 9/2004 David ..... H04R 1/025  
381/152  
D497,902 S \* 11/2004 Farinelli ..... D14/216  
D506,992 S \* 7/2005 Suzuki ..... D14/221  
D506,993 S \* 7/2005 Suzuki ..... D14/221  
D549,693 S \* 8/2007 Mizokawa ..... D14/216  
D550,206 S \* 9/2007 Mizokawa ..... D14/216  
D550,207 S \* 9/2007 Mizokawa ..... D14/216  
D550,209 S \* 9/2007 Mizokawa ..... D14/216  
D550,651 S \* 9/2007 Mizokawa ..... D14/216  
D550,652 S \* 9/2007 Mizokawa ..... D14/216  
D551,209 S \* 9/2007 Mizokawa ..... D14/216  
D551,210 S \* 9/2007 Mizokawa ..... D14/216  
D560,658 S \* 1/2008 Akaishi ..... D14/221  
D571,791 S \* 6/2008 Lazzeroni ..... D14/219  
D574,812 S \* 8/2008 Sei ..... D14/216  
D586,786 S \* 2/2009 Monaghan ..... D14/216  
D593,073 S \* 5/2009 Kurihara ..... D14/216  
D681,016 S \* 4/2013 Ishinabe ..... D14/224  
2007/0098204 A1 \* 5/2007 Iekura ..... B60R 11/0223  
381/386

\* cited by examiner



**FIG. 1**

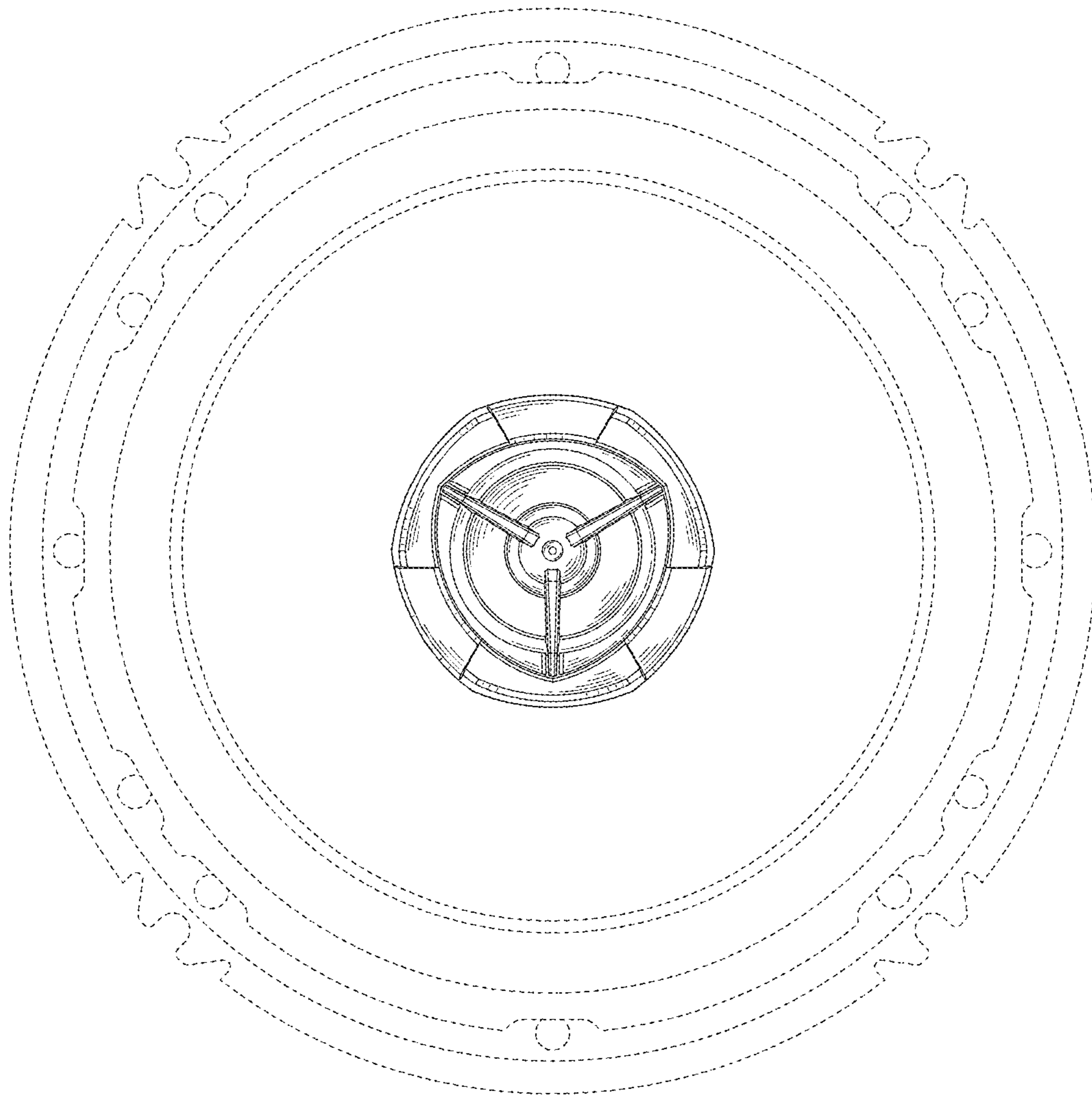


FIG. 2

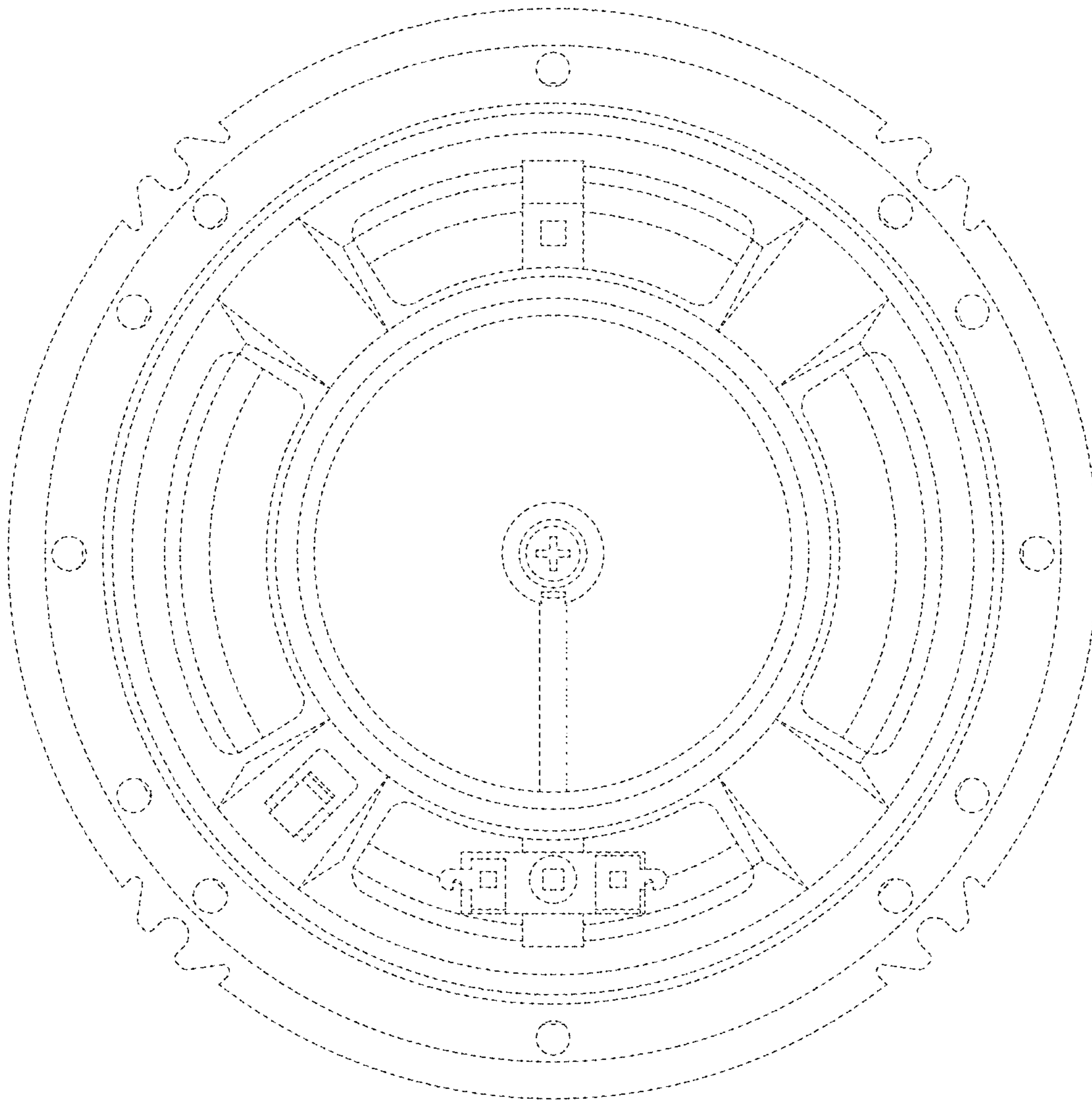
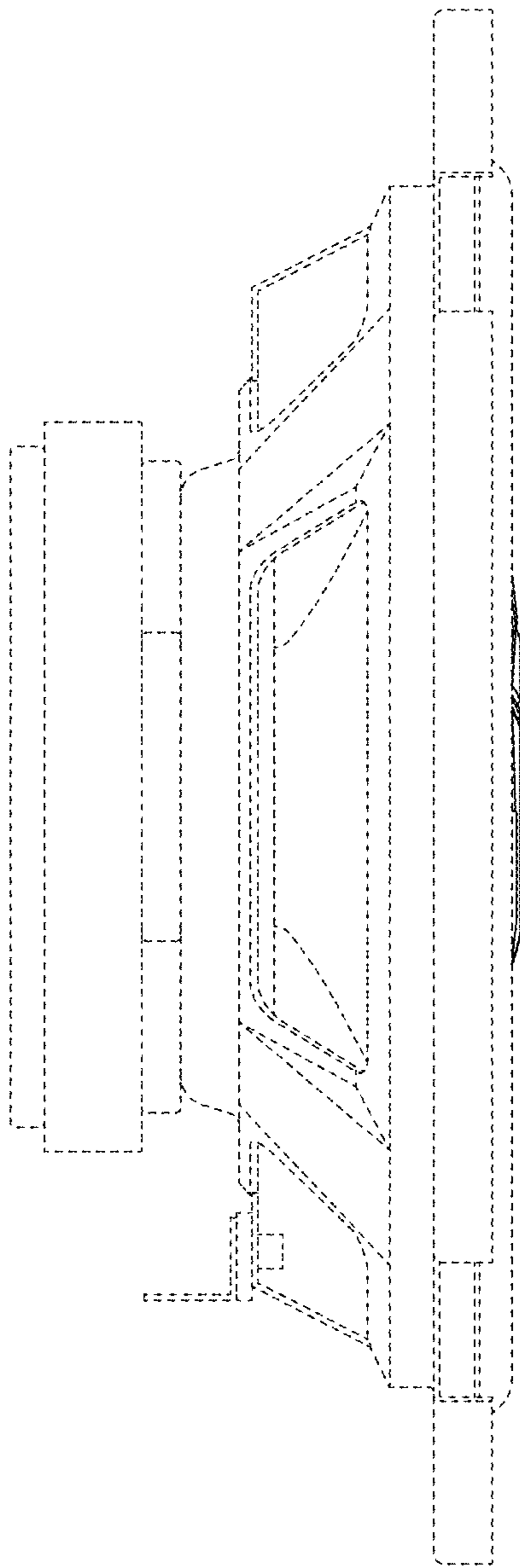
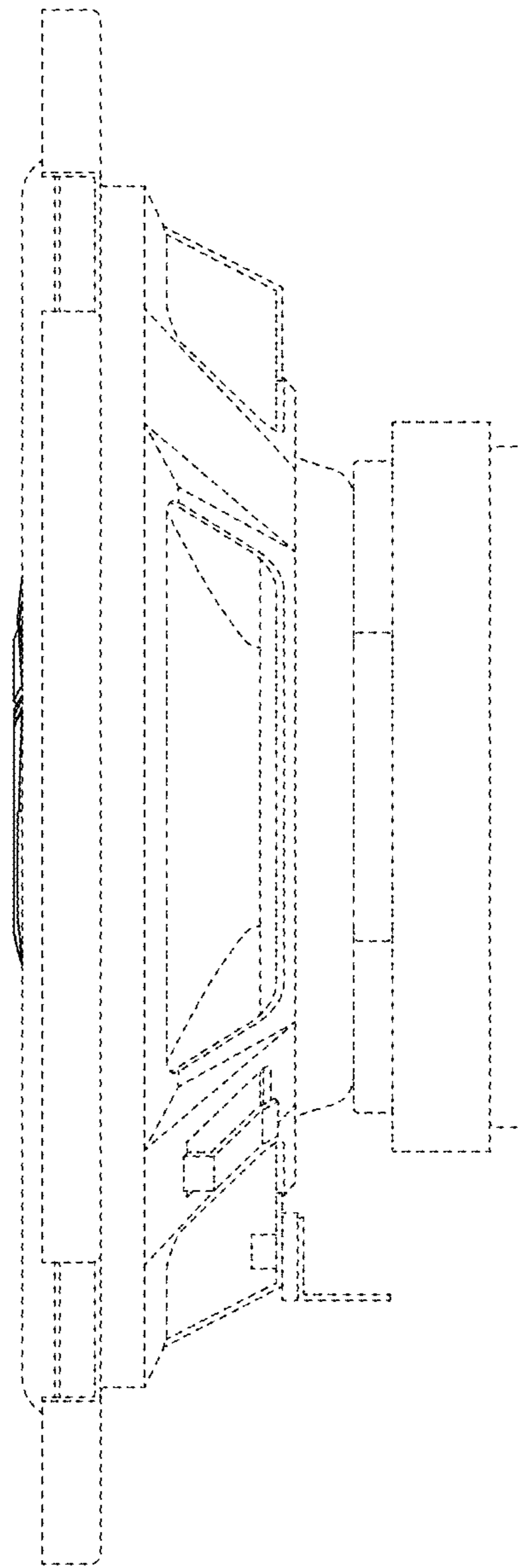


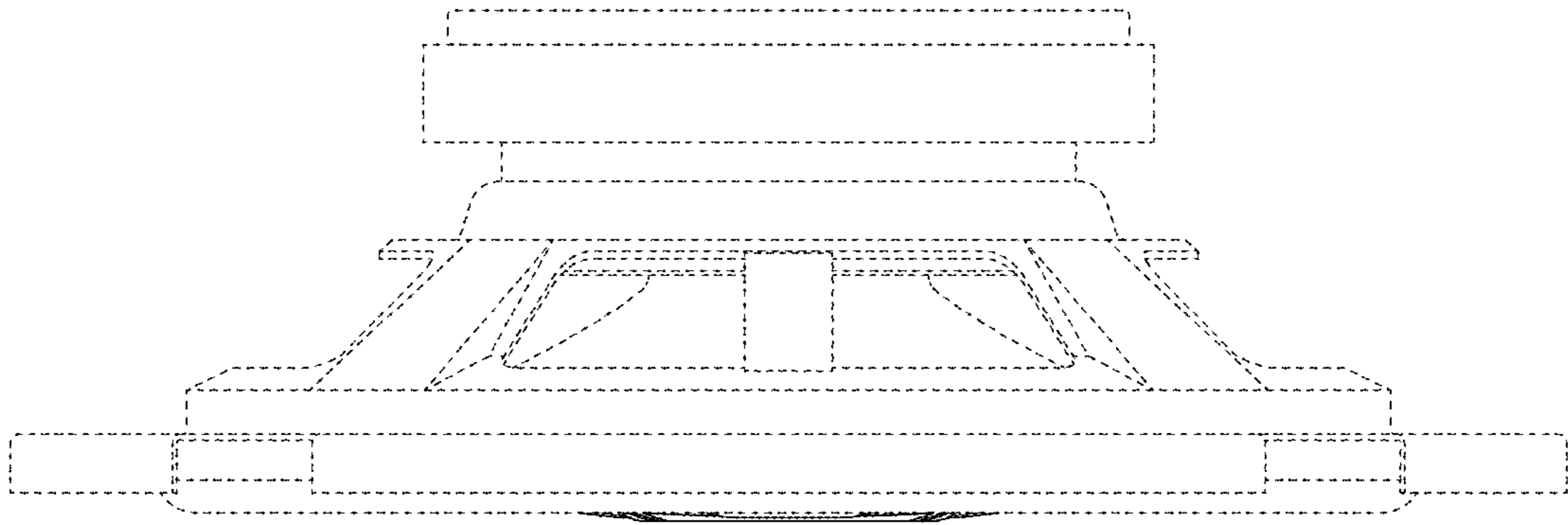
FIG. 3



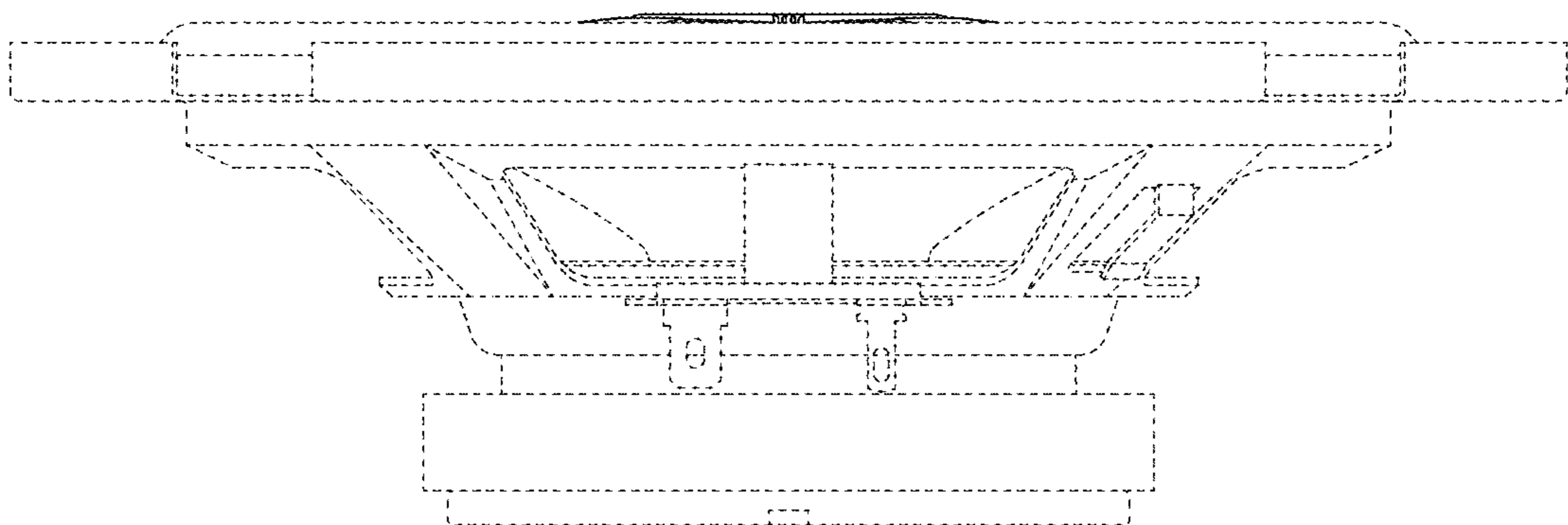
*FIG. 4*



*FIG. 5*



*FIG. 6*



*FIG. 7*