



US00D777706S

(12) **United States Design Patent**  
**Wang**

(10) **Patent No.:** **US D777,706 S**

(45) **Date of Patent:** **\*\* Jan. 31, 2017**

(54) **AUDIO REPRODUCING ASSEMBLY**

2499/13;H04R 2499/15; H04S 3/00; H04S  
7/30

(71) Applicant: **EAGLE TECH COMPUTERS INC.**,  
Covina, CA (US)

See application file for complete search history.

(72) Inventor: **Tzu Jung Wang**, Covina, CA (US)

(56) **References Cited**

(73) Assignee: **Eagle Tech Computers Inc.**, Covina,  
CA (US)

U.S. PATENT DOCUMENTS

(\*\*) Term: **15 Years**

D506,745 S *	6/2005	Sitoh .....	D14/211
D624,525 S *	9/2010	Kim .....	D14/168
D627,329 S *	11/2010	Ryu .....	D14/168
D628,553 S *	12/2010	Cho .....	D14/168
D680,099 S *	4/2013	Davies .....	D14/204

(21) Appl. No.: **29/546,501**

\* cited by examiner

(22) Filed: **Nov. 23, 2015**

*Primary Examiner* — Keli L Hill

(51) **LOC (10) Cl.** ..... **14-03**

(74) *Attorney, Agent, or Firm* — Rosenberg, Klein & Lee

(52) **U.S. Cl.**  
USPC ..... **D14/215**

(57) **CLAIM**

(58) **Field of Classification Search**

The ornamental design for an audio reproducing assembly,  
as shown and described.

USPC ..... D14/167, 168, 170–172, 188, 194–196,  
D14/204, 210–216, 219, 221, 222, 224,  
D14/239, 496; 181/143, 144, 147, 148,  
181/150, 153, 181/157, 198, 199;  
381/300–303, 36, 332, 333, 336, 345,  
381/361–364, 386–388; 369/6–12

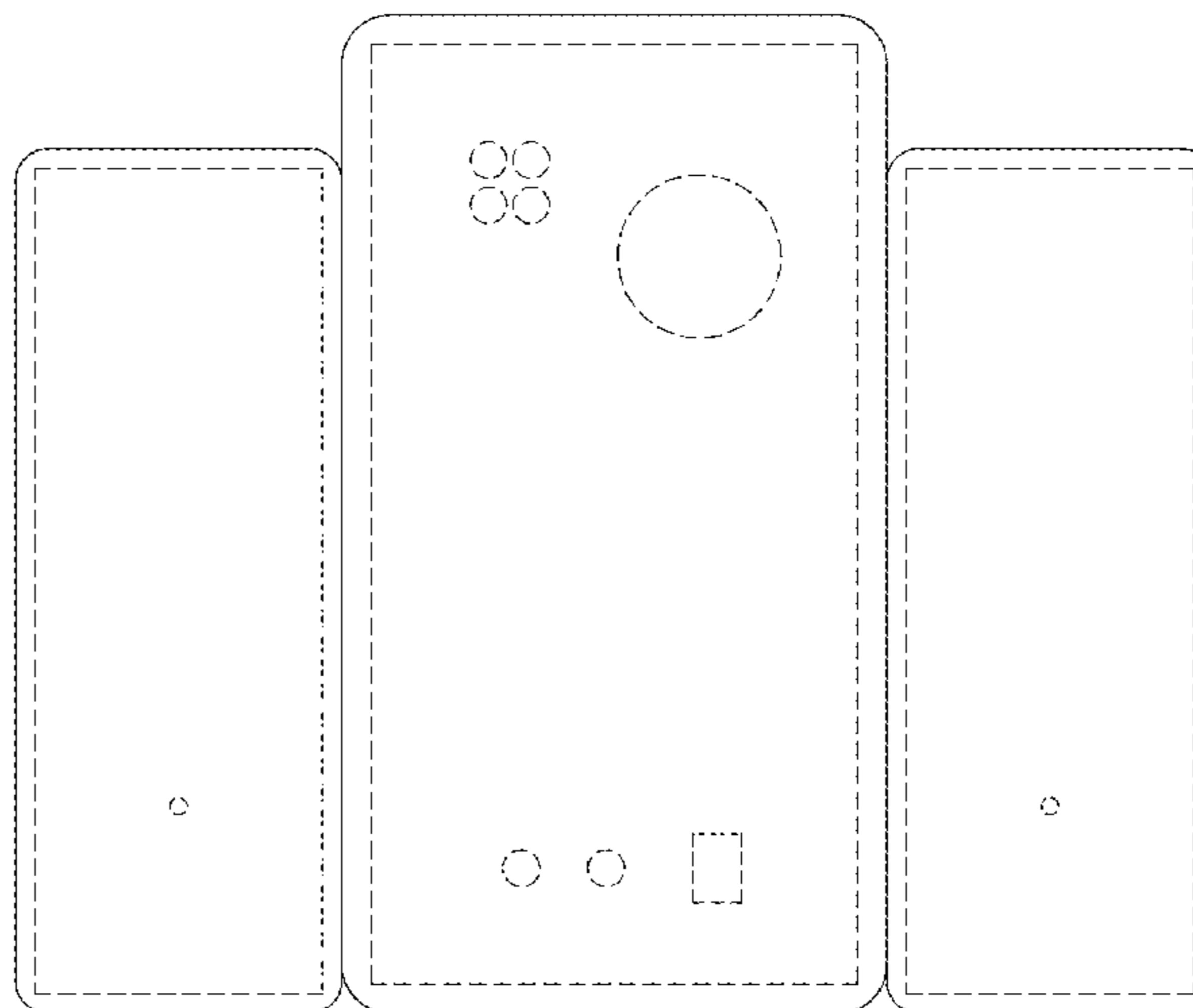
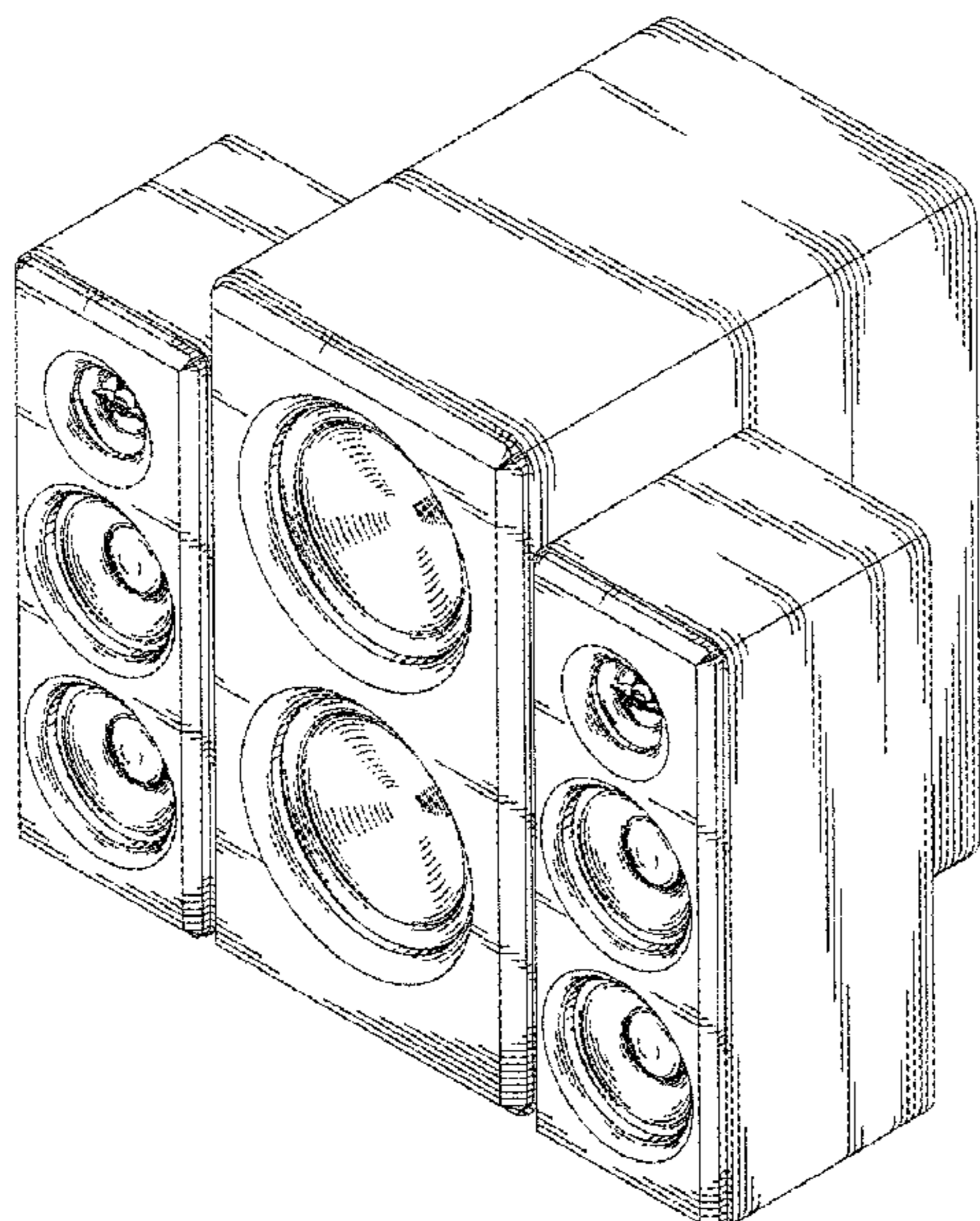
CPC ..... B60R 11/0217; G06F 1/1688; G10K 9/22;  
G10K 11/004; H03F 1/327; H04M 1/03;  
H04M 1/035; H04N 5/642; H04N  
21/4852; H04R 1/02; H04R 1/06; H04R  
1/021; H04R 1/025; H04R 1/026; H04R  
1/028; H04R 1/105; H04R 1/323; H04R  
1/403; H04R 1/2803; H04R 1/2834; H04R  
5/02; H04R 7/20; H04R 9/06; H04R  
9/025; H04R 2201/021; H04R 2400/00;  
H04R 2400/07; H04R 2499/11; H04R

**DESCRIPTION**

FIG. 1 is a top and right front perspective view of an audio reproducing assembly, showing my design;  
FIG. 2 is a front elevational view thereof;  
FIG. 3 is a rear elevational view thereof;  
FIG. 4 is a left side elevational view thereof;  
FIG. 5 is a right side elevational view thereof;  
FIG. 6 is a top plan view thereof; and,  
FIG. 7 is a bottom plan view thereof.

The broken lines in the drawing views represent unclaimed portions of the audio reproducing assembly and form no part of the claimed design.

**1 Claim, 7 Drawing Sheets**



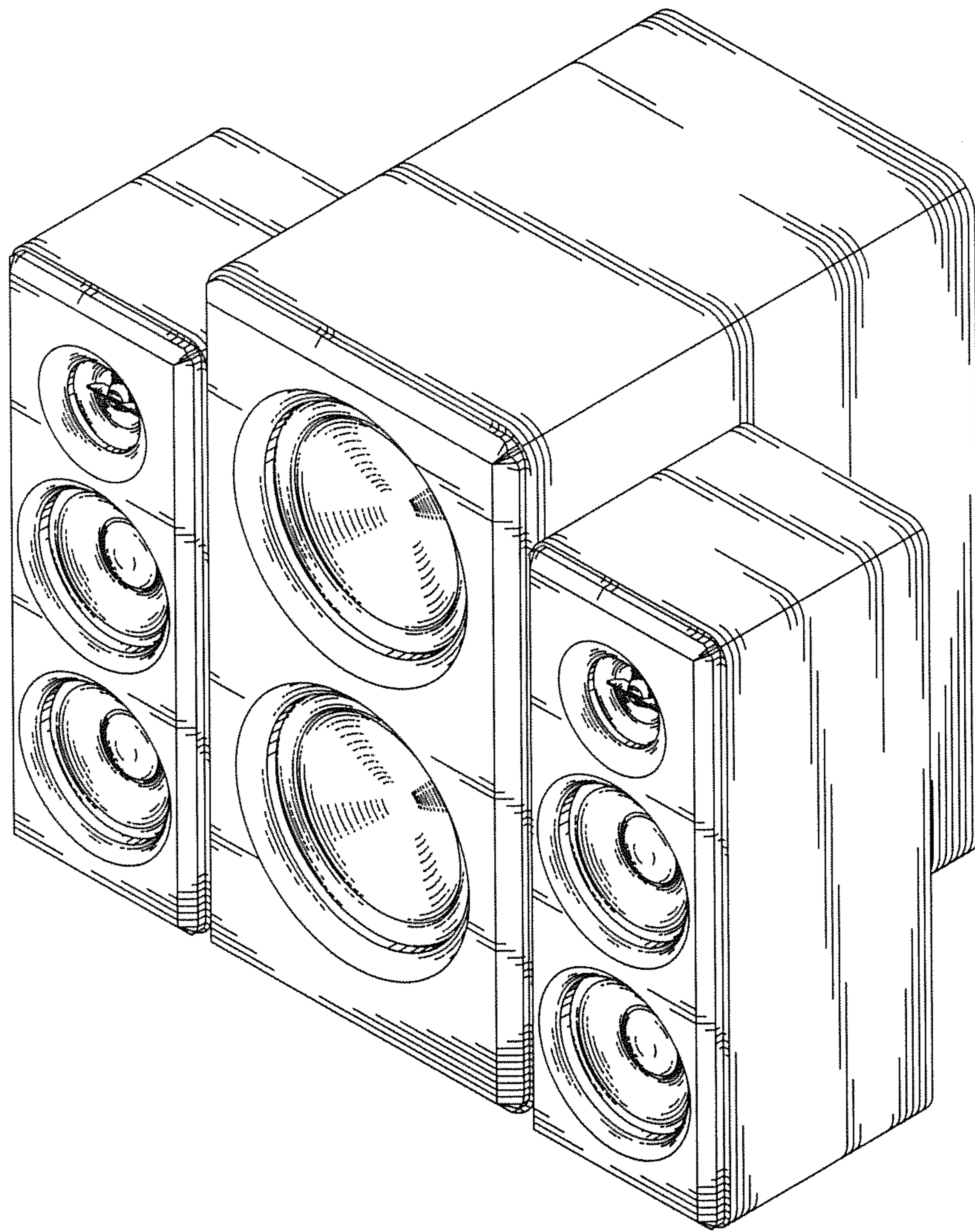


FIG. 1

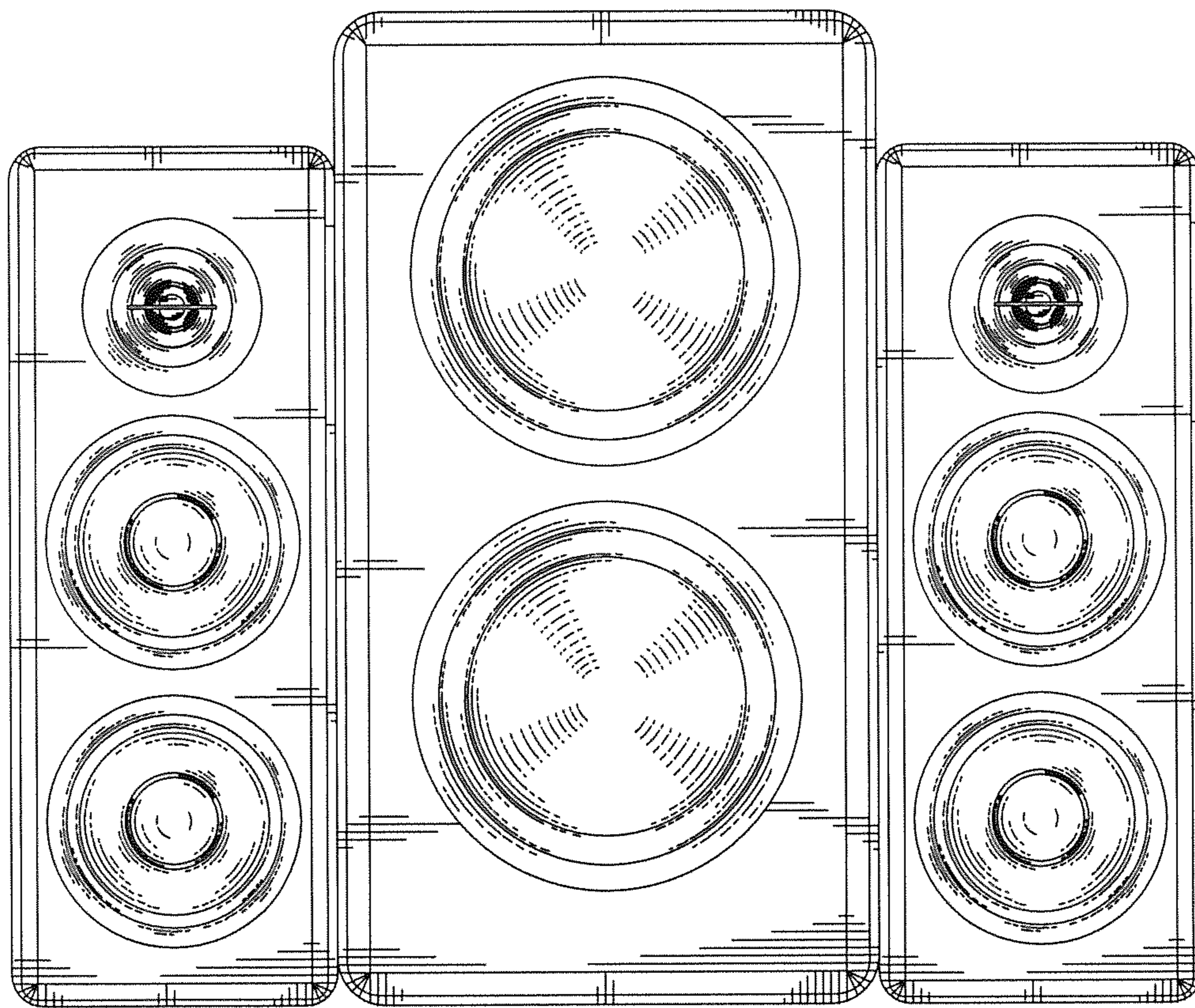


FIG.2

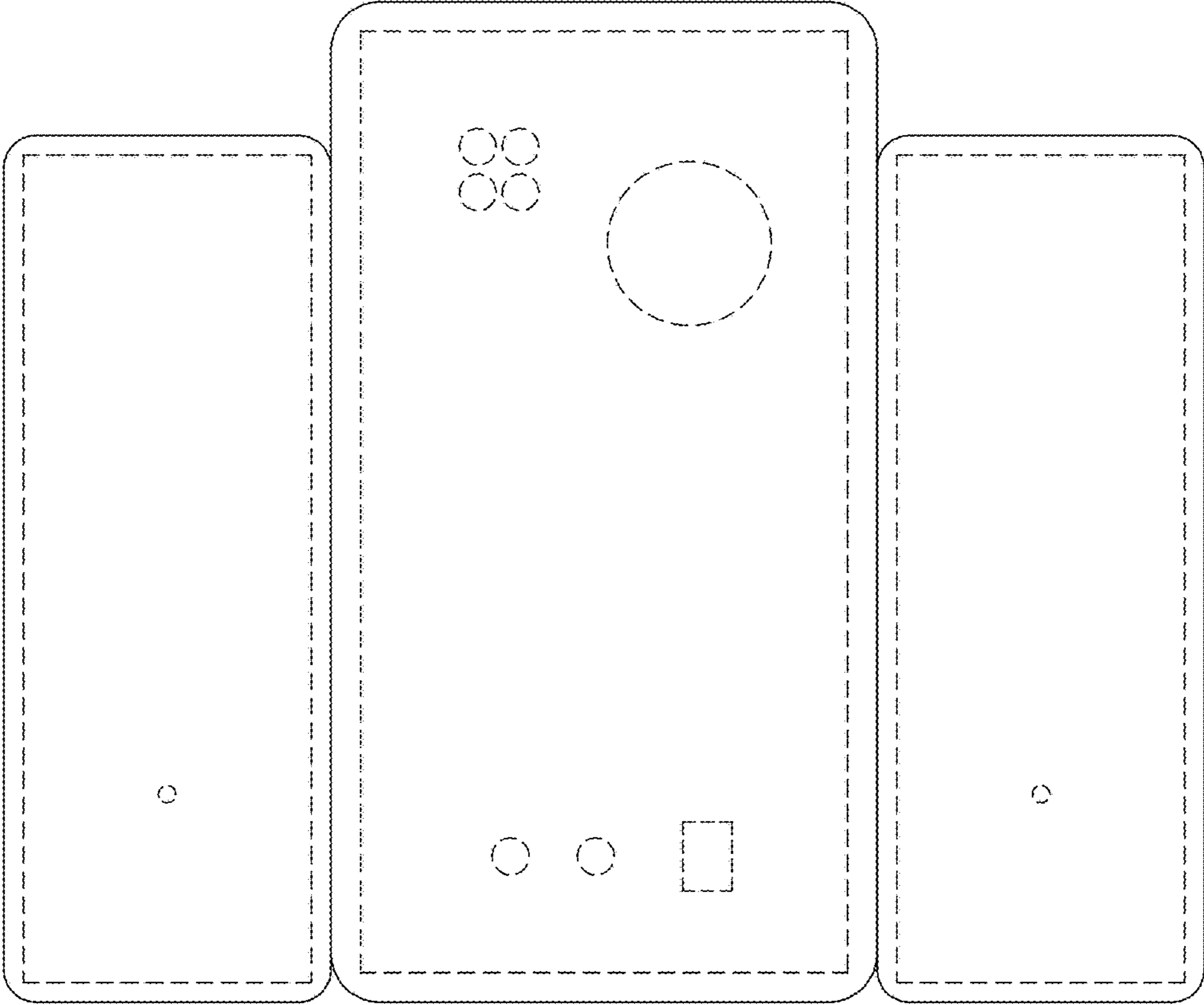


FIG.3

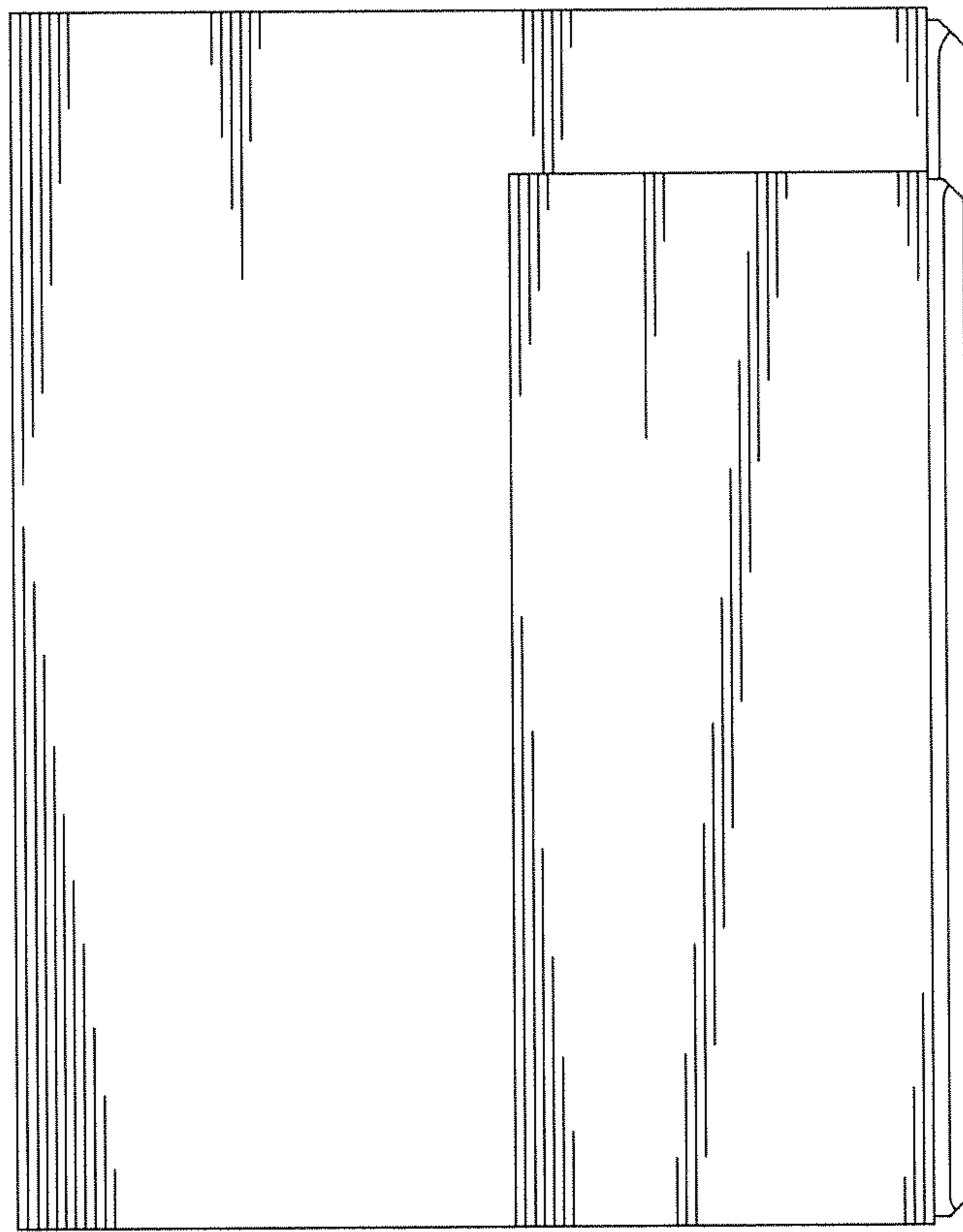


FIG.4

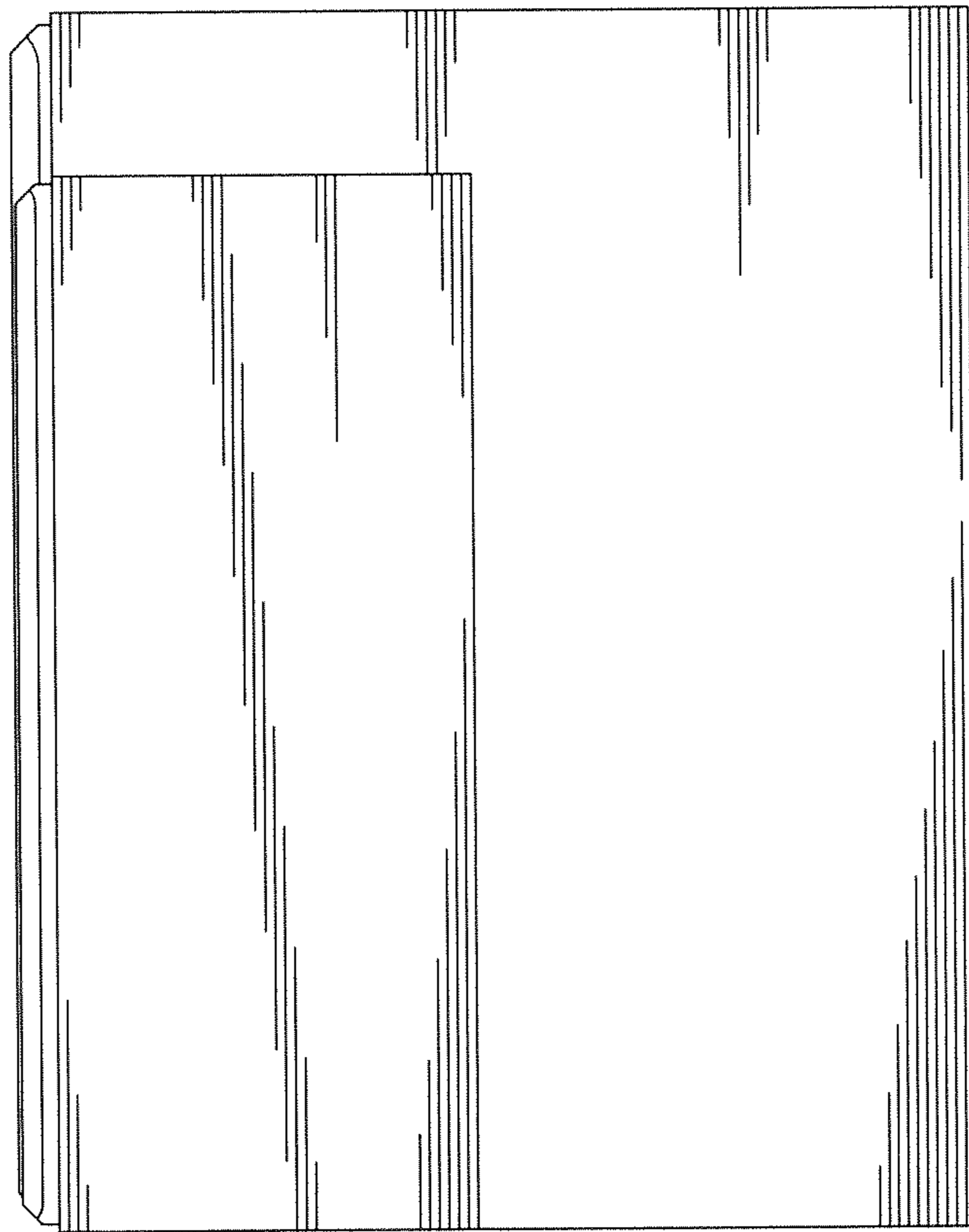


FIG.5

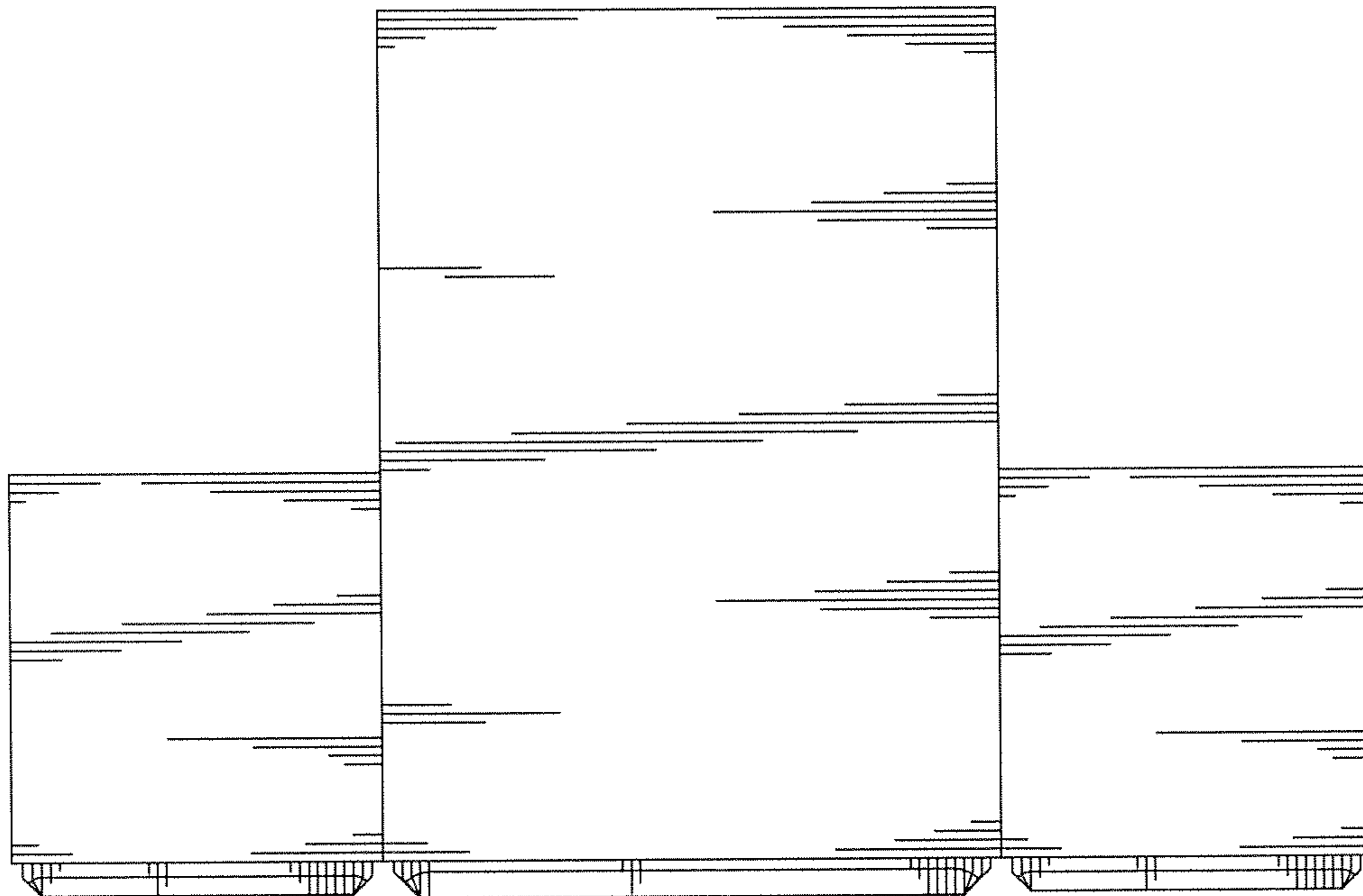


FIG.6

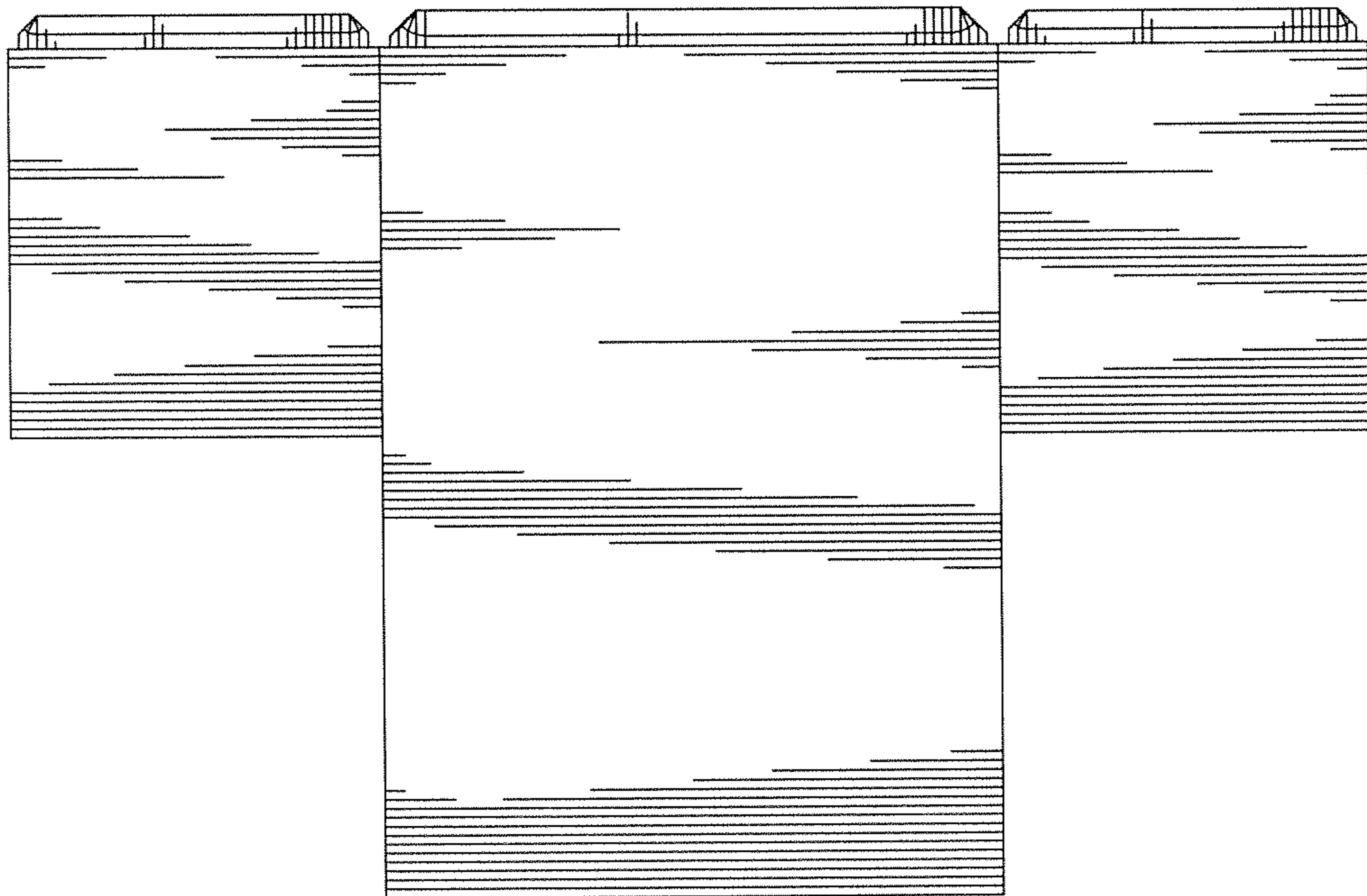


FIG. 7