



US00D777704S

(12) **United States Design Patent** (10) **Patent No.:** **US D777,704 S**
Helwig et al. (45) **Date of Patent:** **** Jan. 31, 2017**

(54) **SPEAKER SYSTEM**

(71) Applicant: **Logitech Europe S.A.**, Lausanne (CH)

(72) Inventors: **Marten Helwig**, Bern-Hinterkappele (CH); **Jean-Marc Fluckiger**, Tsuen Wan (HK); **Gregory Franc De Ferriere**, Tsuen Wan (HK)

(73) Assignee: **Logitech Europe S.A.**, Lausanne (CH)

(**) Term: **15 Years**

(21) Appl. No.: **29/538,055**

(22) Filed: **Aug. 31, 2015**

(51) **LOC (10) Cl.** **14-03**

(52) **U.S. Cl.**
USPC **D14/215**

(58) **Field of Classification Search**

USPC D14/167, 168, 170-172, 188, 194-196, D14/204, 207, 209.1, 210-216, 219, 221, D14/222, 224, 239, 496, 218; 181/143, 181/144, 147, 148, 150, 153, 157, 198, 181/199; 381/300-303, 306, 332, 333, 381/336, 345, 361-364, 386-388; 369/6-12
CPC B60R 11/0217; G06F 1/1688; G10K 9/22; G10K 11/004; H03F 1/327; H04M 1/03; H04M 1/035; H04N 5/642; H04N 21/4852; H04R 1/02; H04R 1/06; H04R 1/021; H04R 1/025; H04R 1/026; H04R 1/028; H04R 1/105; H04R 1/323; H04R 1/403; H04R

(Continued)

(56) **References Cited**

U.S. PATENT DOCUMENTS

D437,307 S * 2/2001 Tejima D14/214
D484,492 S * 12/2003 Welker D14/216

(Continued)

Primary Examiner — Keli L Hill

(74) *Attorney, Agent, or Firm* — Kilpatrick Townsend & Stockton LLP

(57) **CLAIM**

The ornamental design for the speaker system, as shown and described.

DESCRIPTION

FIG. 1 is a perspective view of our speaker system showing our design;

FIG. 2 is a perspective view of a subwoofer for the speaker system;

FIG. 3 is a front plan view thereof;

FIG. 4 is back plan view thereof;

FIG. 5 is a top plan view thereof;

FIG. 6 is a bottom plan view thereof;

FIG. 7 is a left side plan view thereof; and

FIG. 8 is a right side plan view thereof.

FIG. 9 is a perspective view of a speaker for the speaker system;

FIG. 10 is a front plan view thereof;

FIG. 11 is back plan view thereof;

FIG. 12 is a top plan view thereof;

FIG. 13 is a bottom plan view thereof;

FIG. 14 is a left side plan view thereof;

FIG. 15 is a right side plan view thereof; and

FIG. 16 is right side plan view thereof shown as it would look on a surface.

FIG. 17 is the perspective view of a volume control for the speaker system;

FIG. 18 is the front plan view thereof;

FIG. 19 is a back plan view thereof;

FIG. 20 is a top plan view thereof;

FIG. 21 is a bottom plan view thereof;

FIG. 22 is a left plan view thereof;

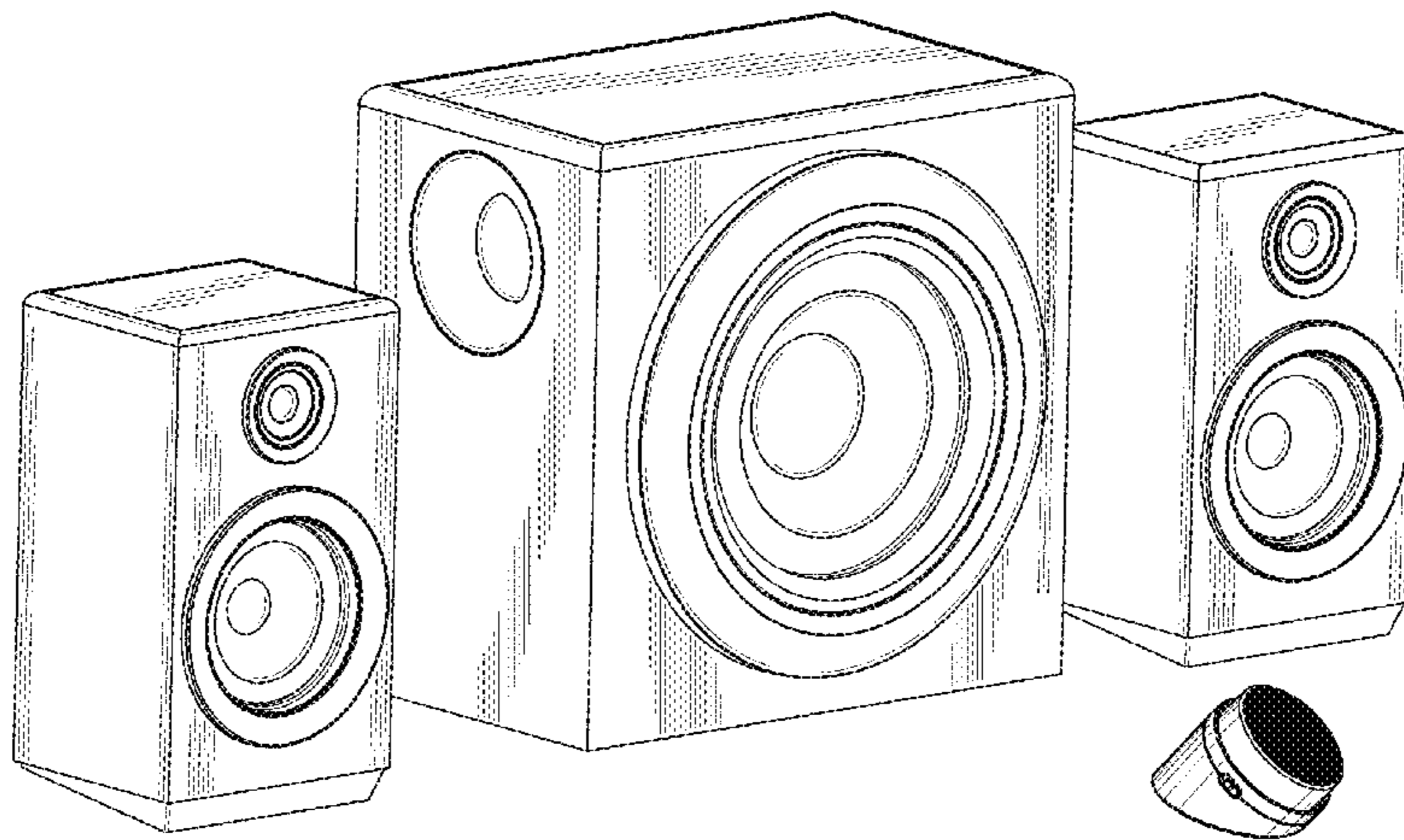
FIG. 23 is a right plan view thereof;

FIG. 24 is the left plan view thereof shown as it would look on a surface;

FIG. 25 is an enlarged perspective view thereof showing a surface texture; and,

FIG. 26 is an enlarged top plan view thereof showing a surface texture.

(Continued)



The broken lines shown represent unclaimed subject matter and form no part of the claimed design.

1 Claim, 20 Drawing Sheets

(58) Field of Classification Search

CPC 1/2803;H04R 1/2834; H04R 5/02;
H04R 7/20; H04R 9/06; H04R
9/025; H04R 2201/0221; H04R 2400/00;
H04R 2400/07; H04R 2499/11; H04R
2499/13; H04R 2499/15; H04S
3/00; H04S 7/30

See application file for complete search history.

(56) References Cited

U.S. PATENT DOCUMENTS

D492,311	S	*	6/2004	Suzuki	D14/218
D570,828	S	*	6/2008	Cho	D14/215
D581,414	S	*	11/2008	Tellier	D14/358
D624,525	S	*	9/2010	Kim	D14/168
D627,329	S	*	11/2010	Ryu	D14/168
D628,553	S	*	12/2010	Cho	D14/168
D680,097	S	*	4/2013	Davies	D14/204
D701,194	S	*	3/2014	Paddock	D14/213
D720,752	S	*	1/2015	Bleads	D14/420
D725,075	S	*	3/2015	Wong	D14/215
D729,773	S	*	5/2015	Salojarvi	D14/218
D748,078	S	*	1/2016	Nardin	D14/218

* cited by examiner

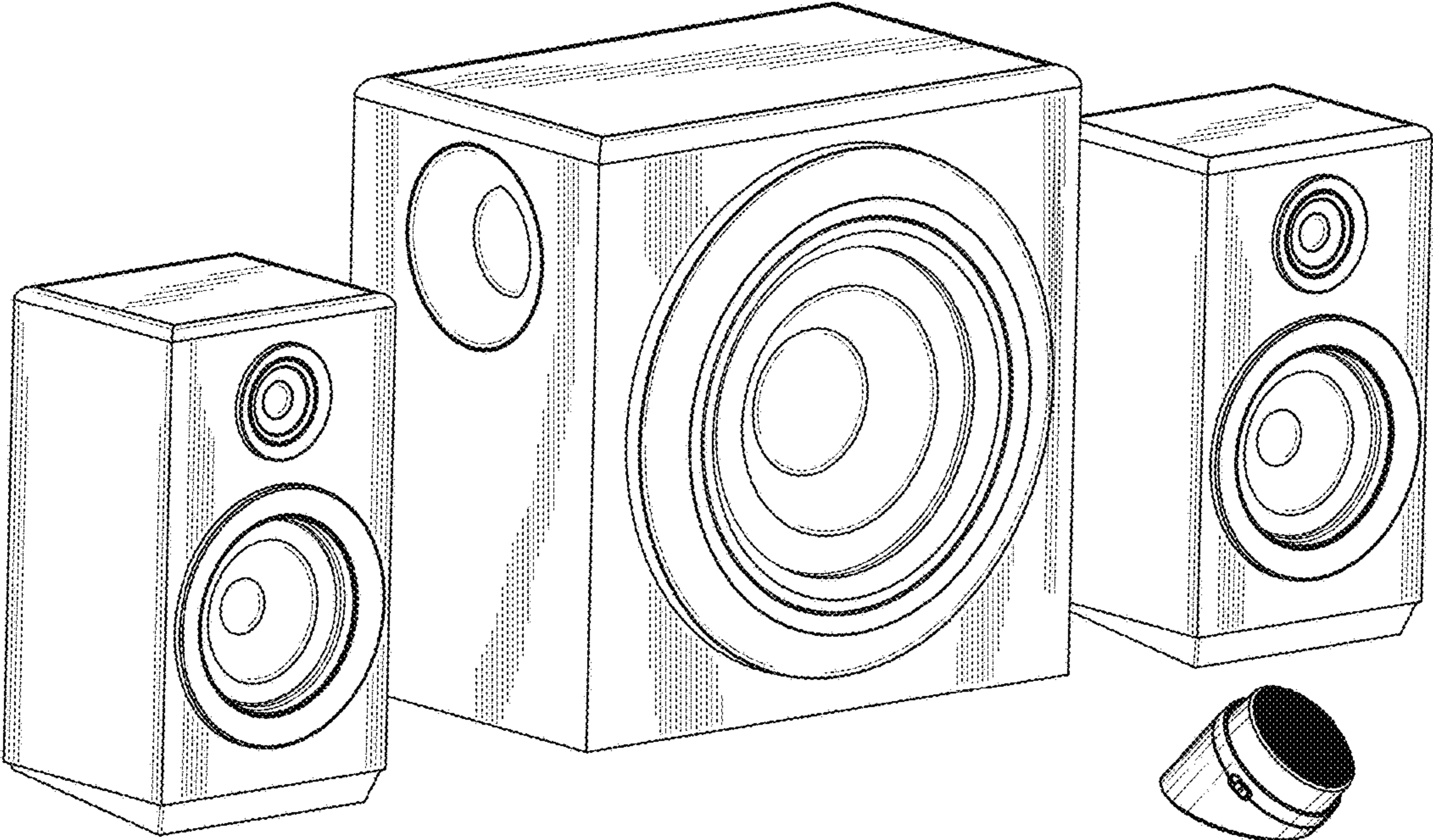


FIG. 1

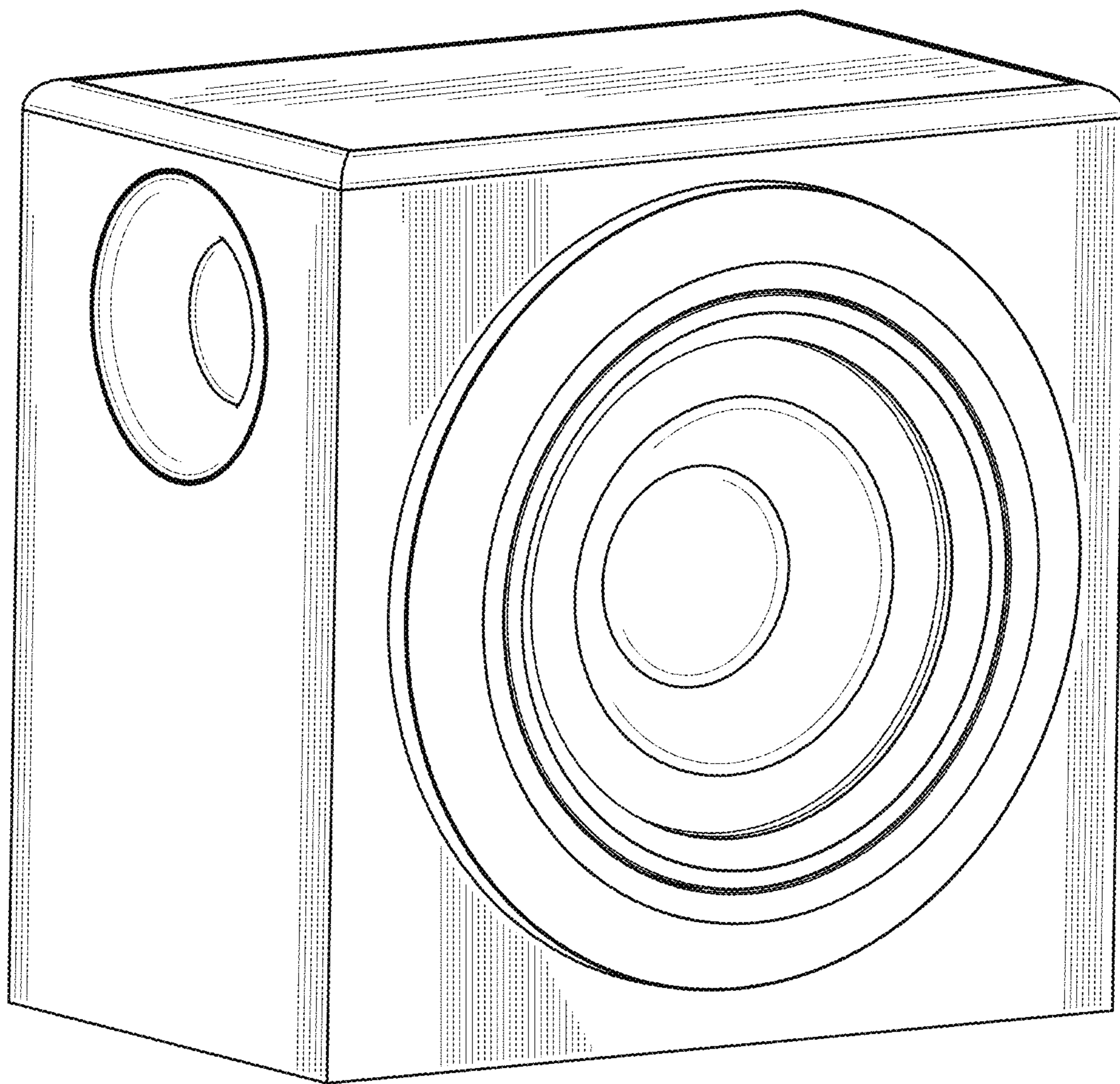


FIG. 2

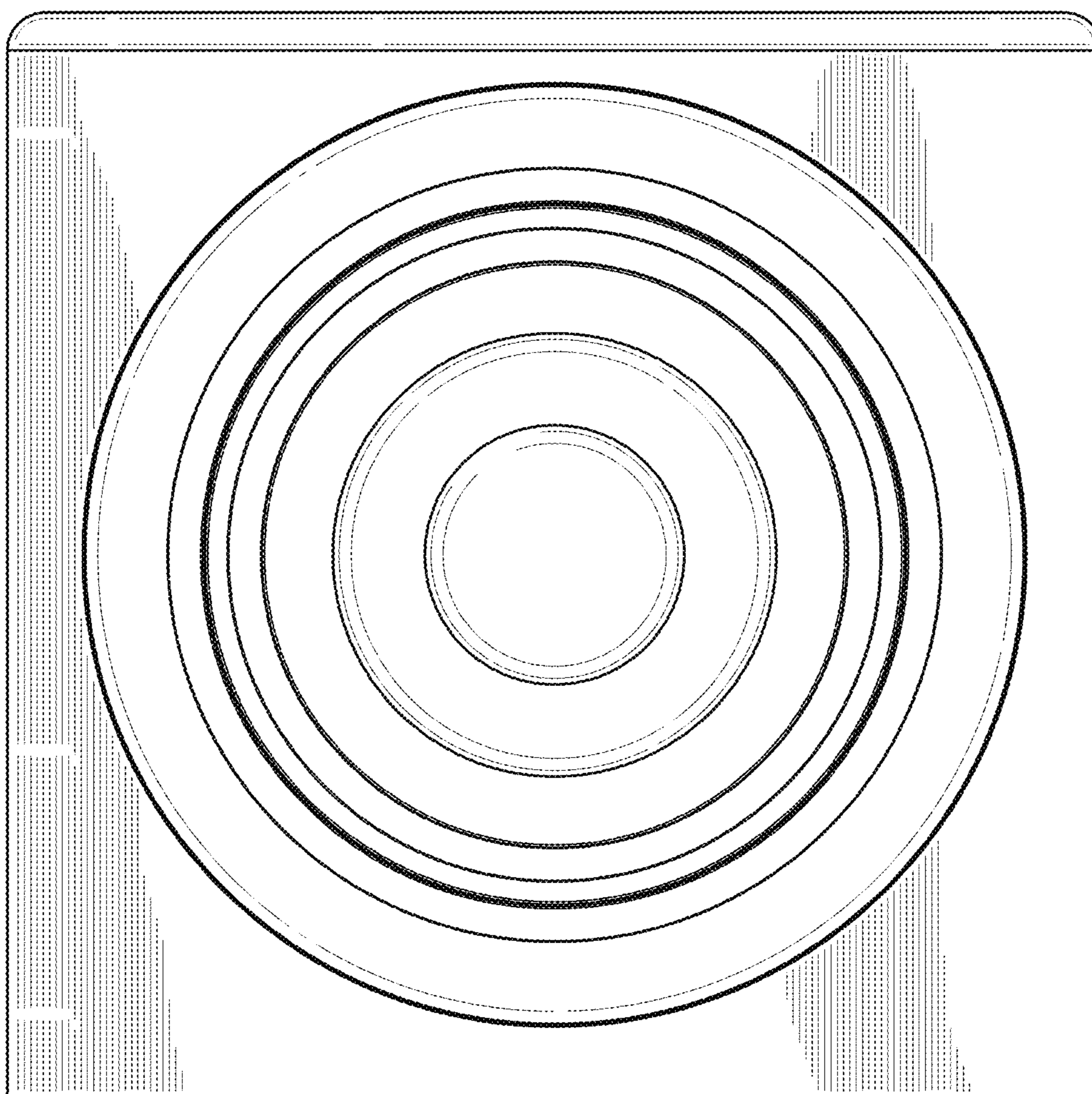


FIG. 3

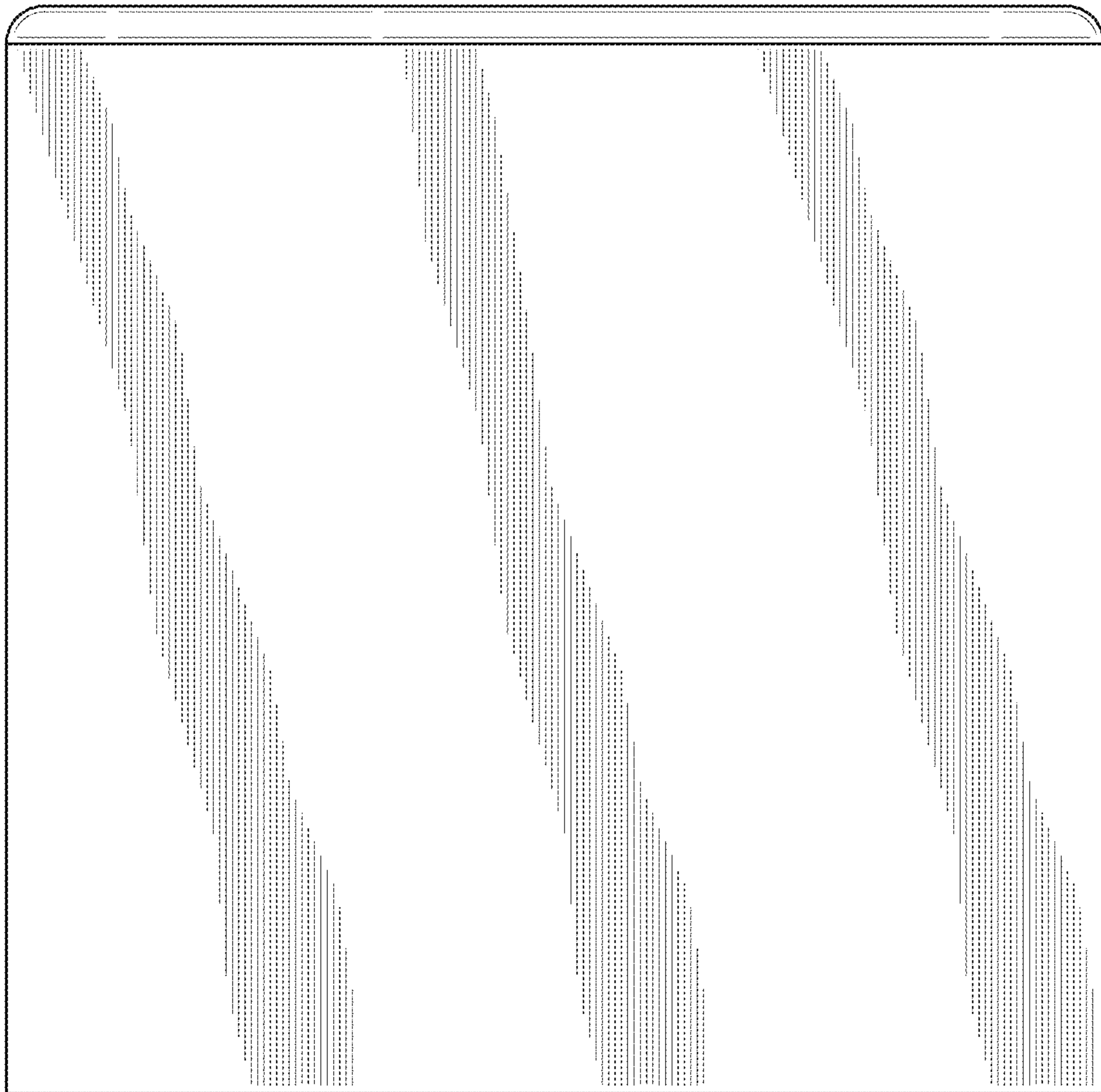


FIG. 4

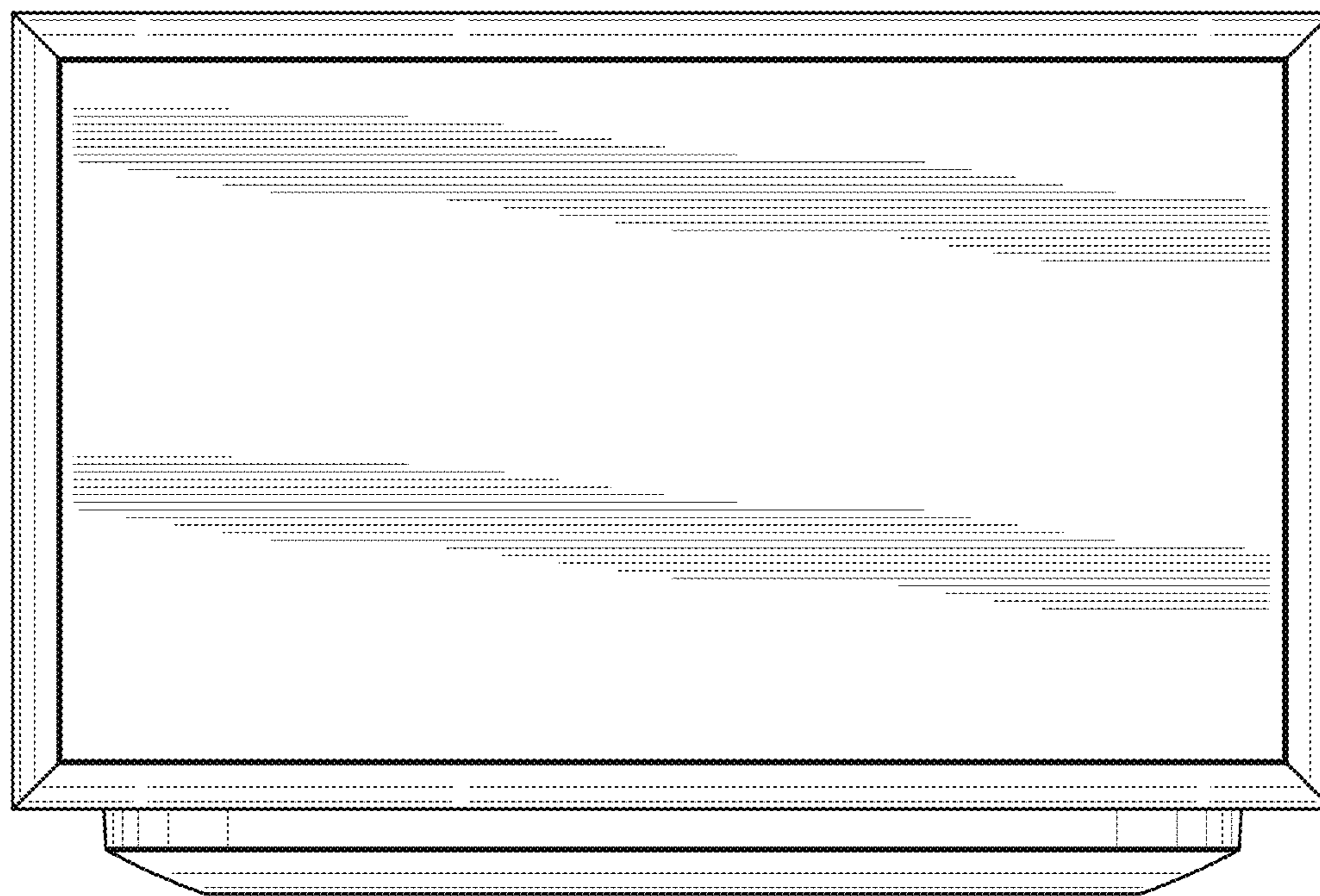


FIG. 5

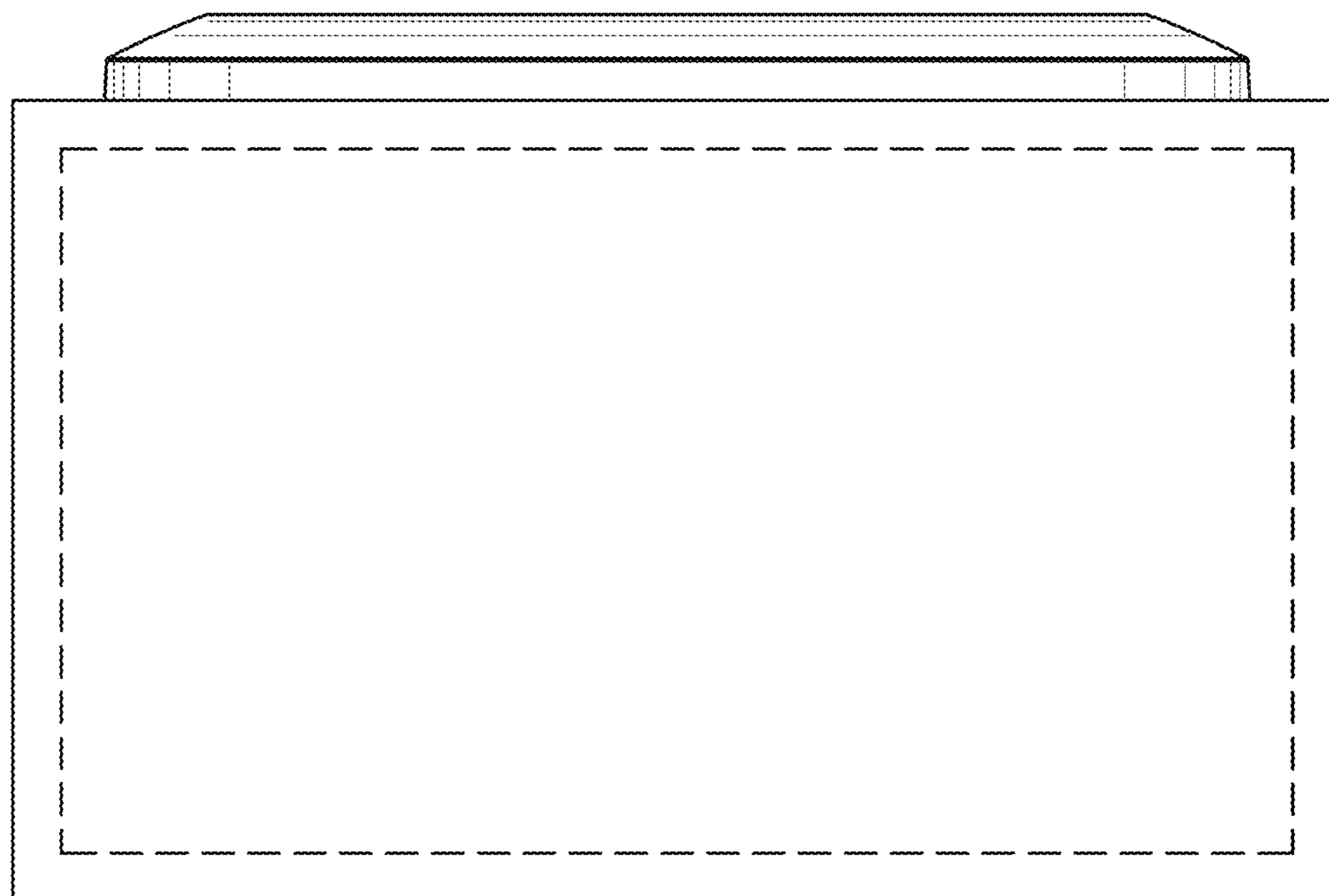


FIG. 6

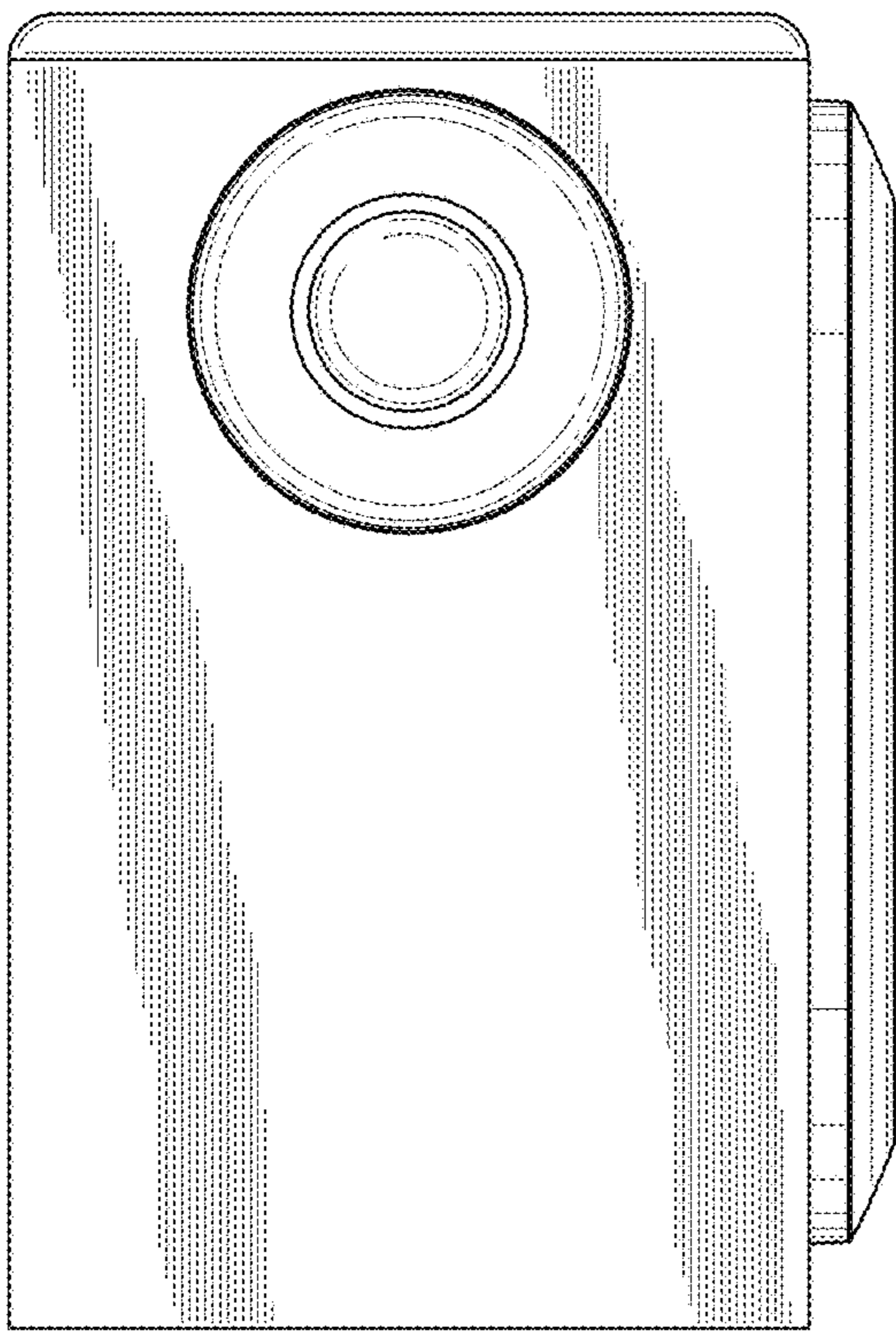


FIG. 7

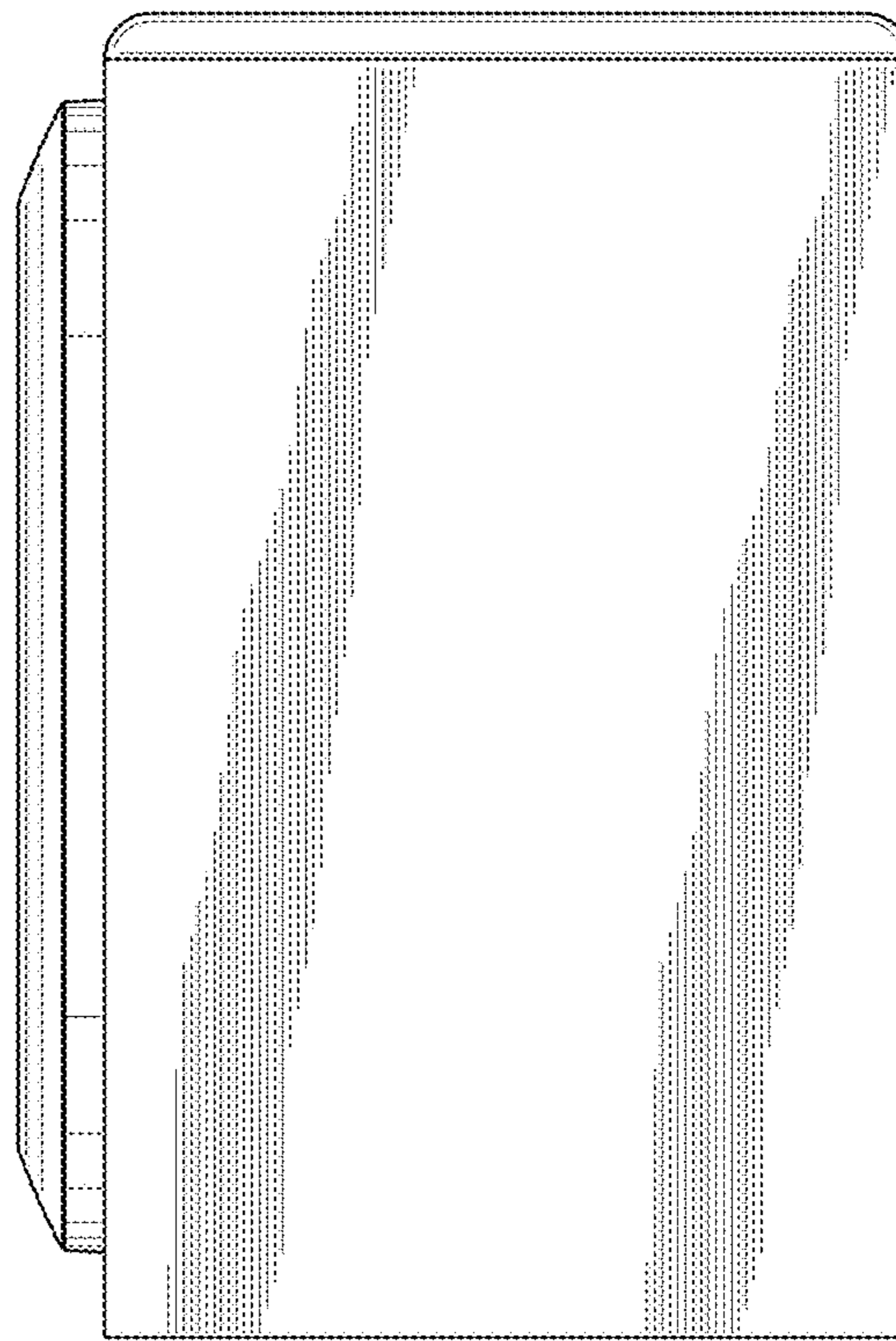


FIG. 8

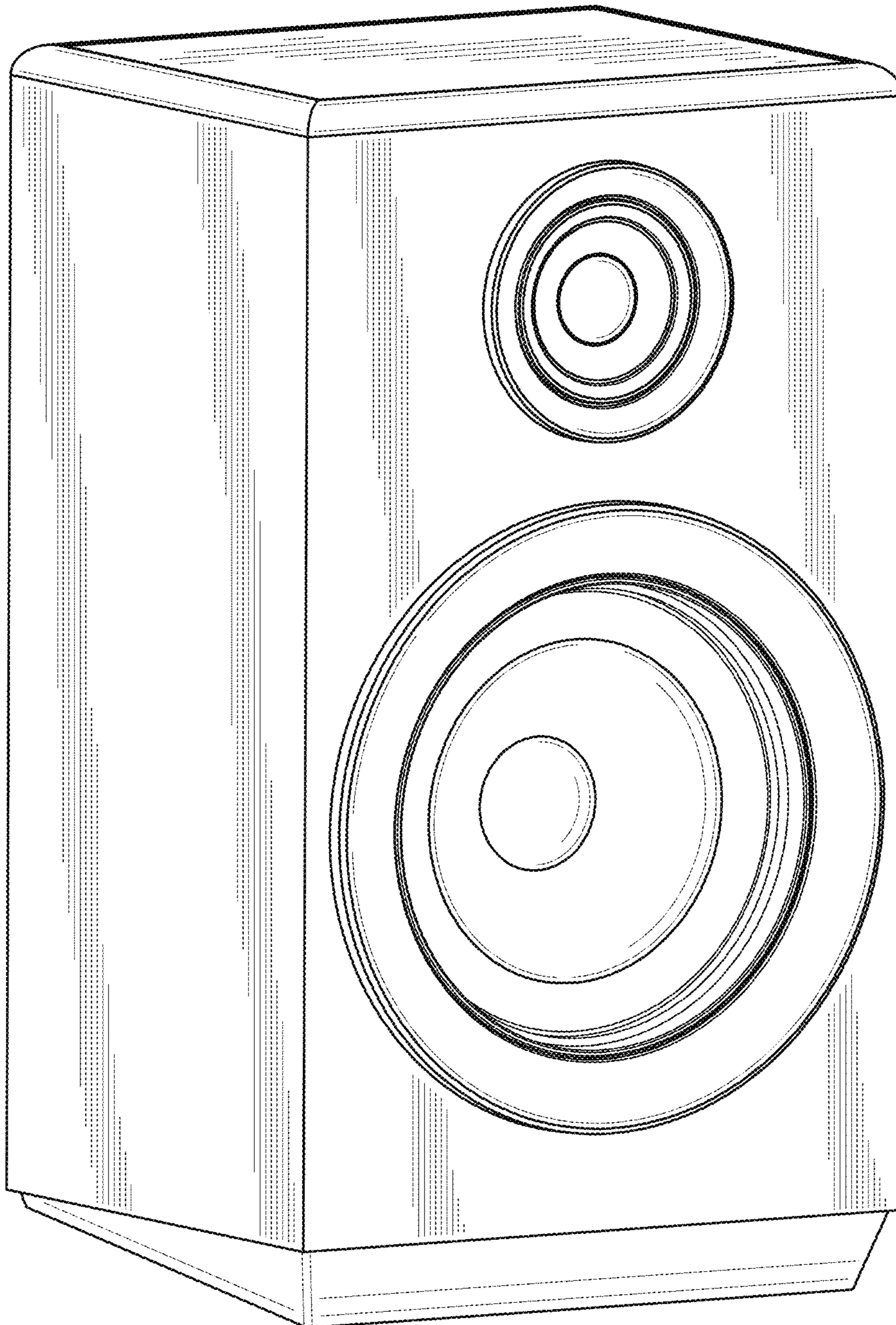


FIG. 9

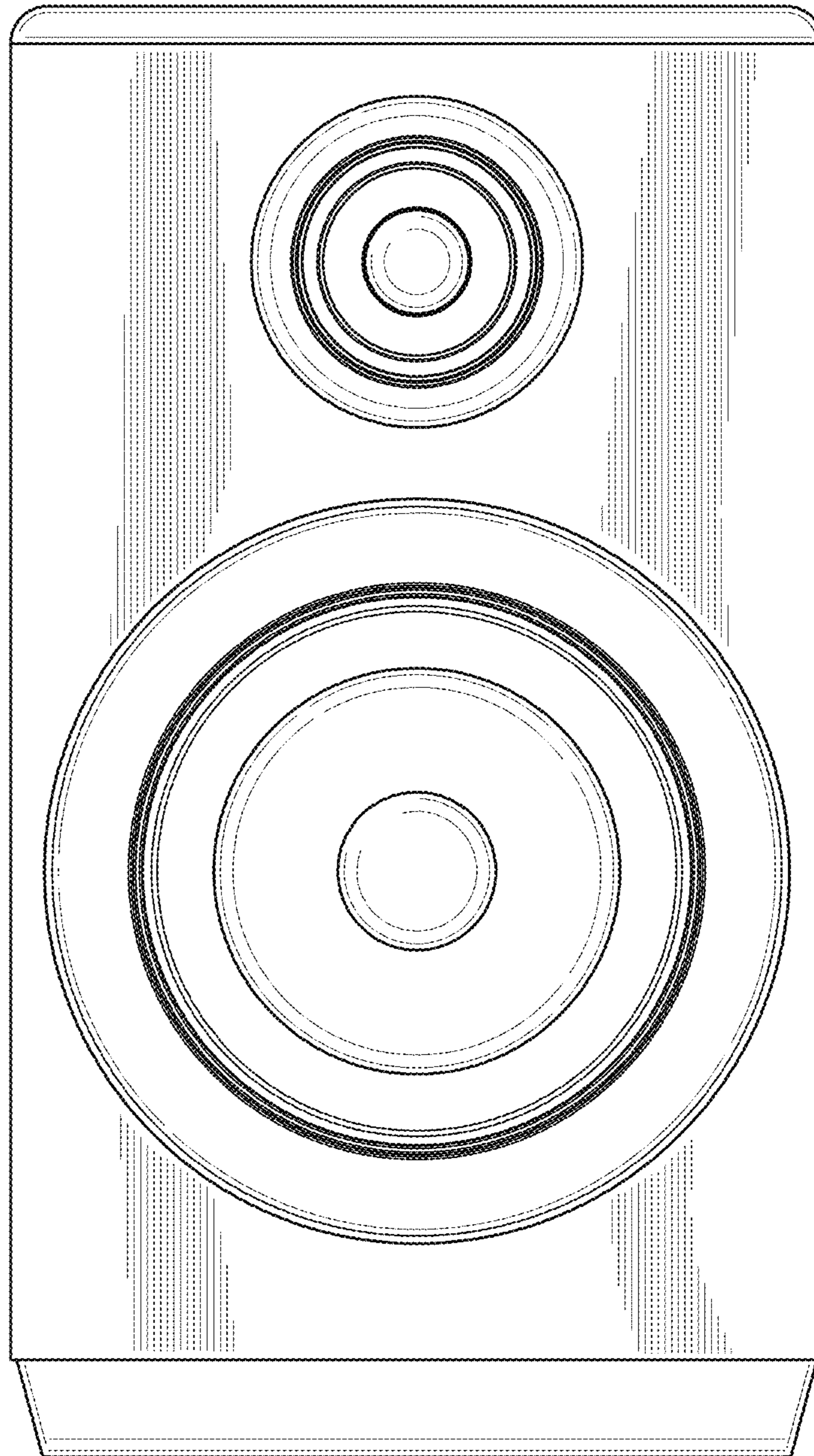


FIG. 10



FIG. 11

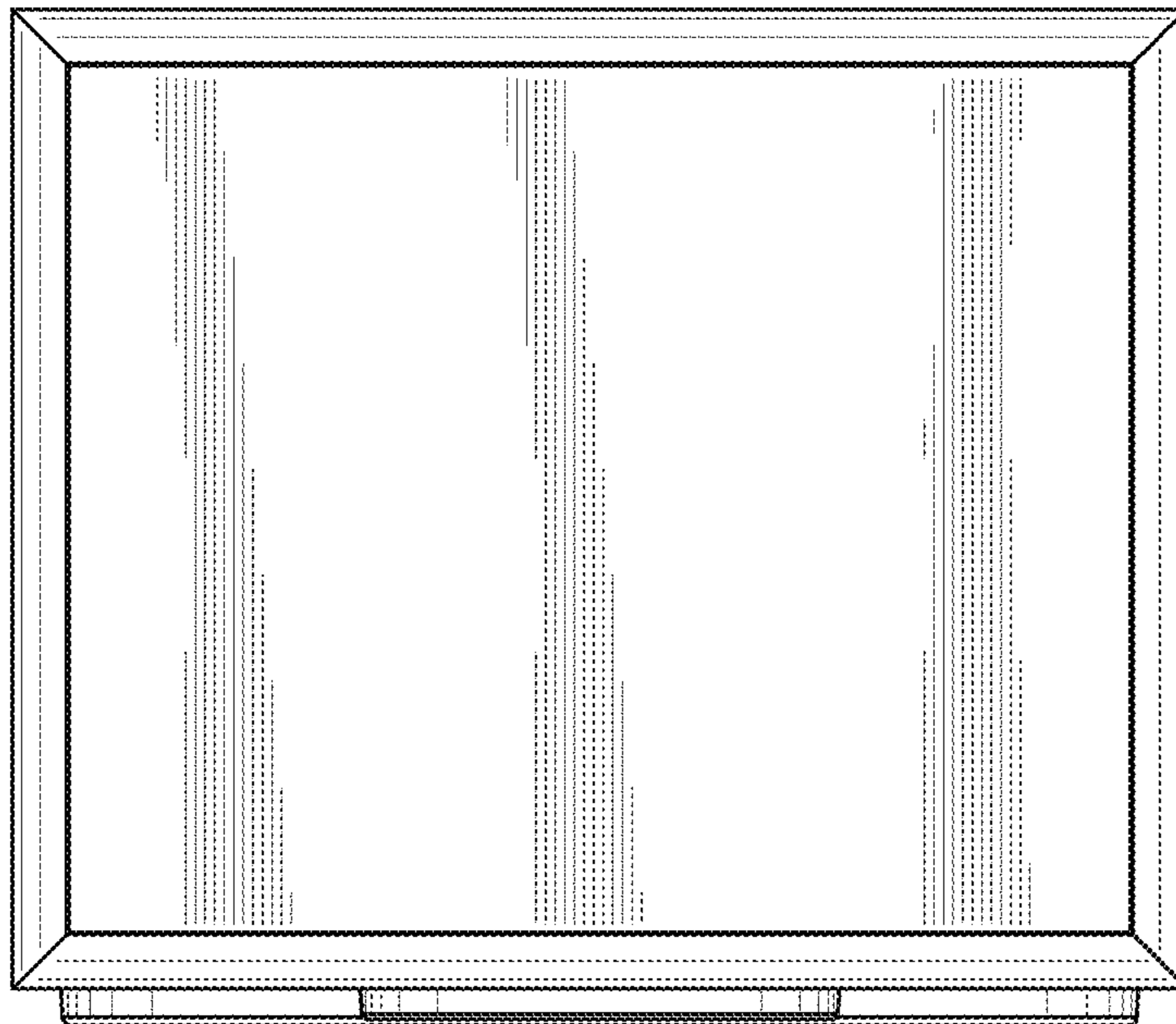


FIG. 12

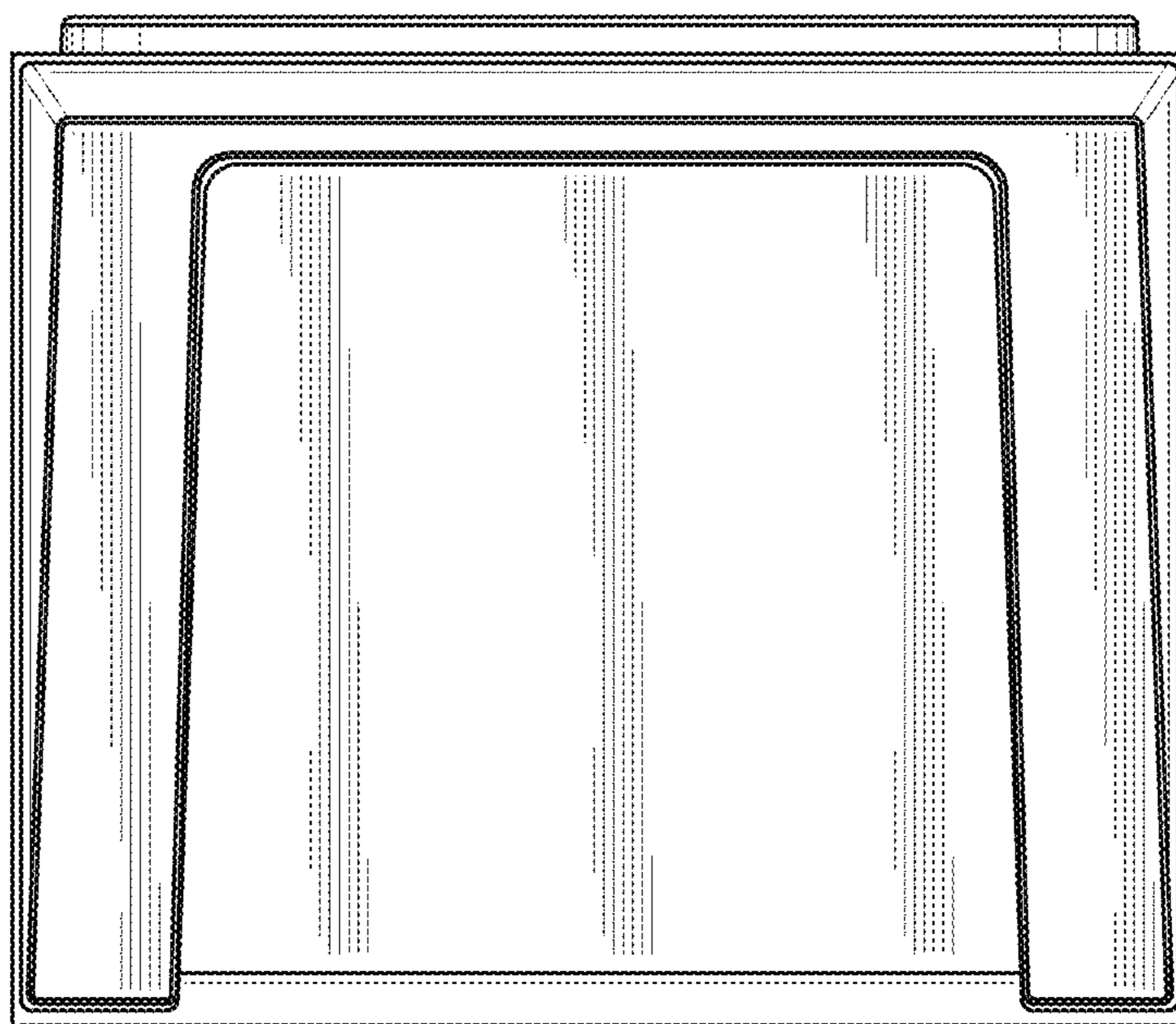


FIG. 13

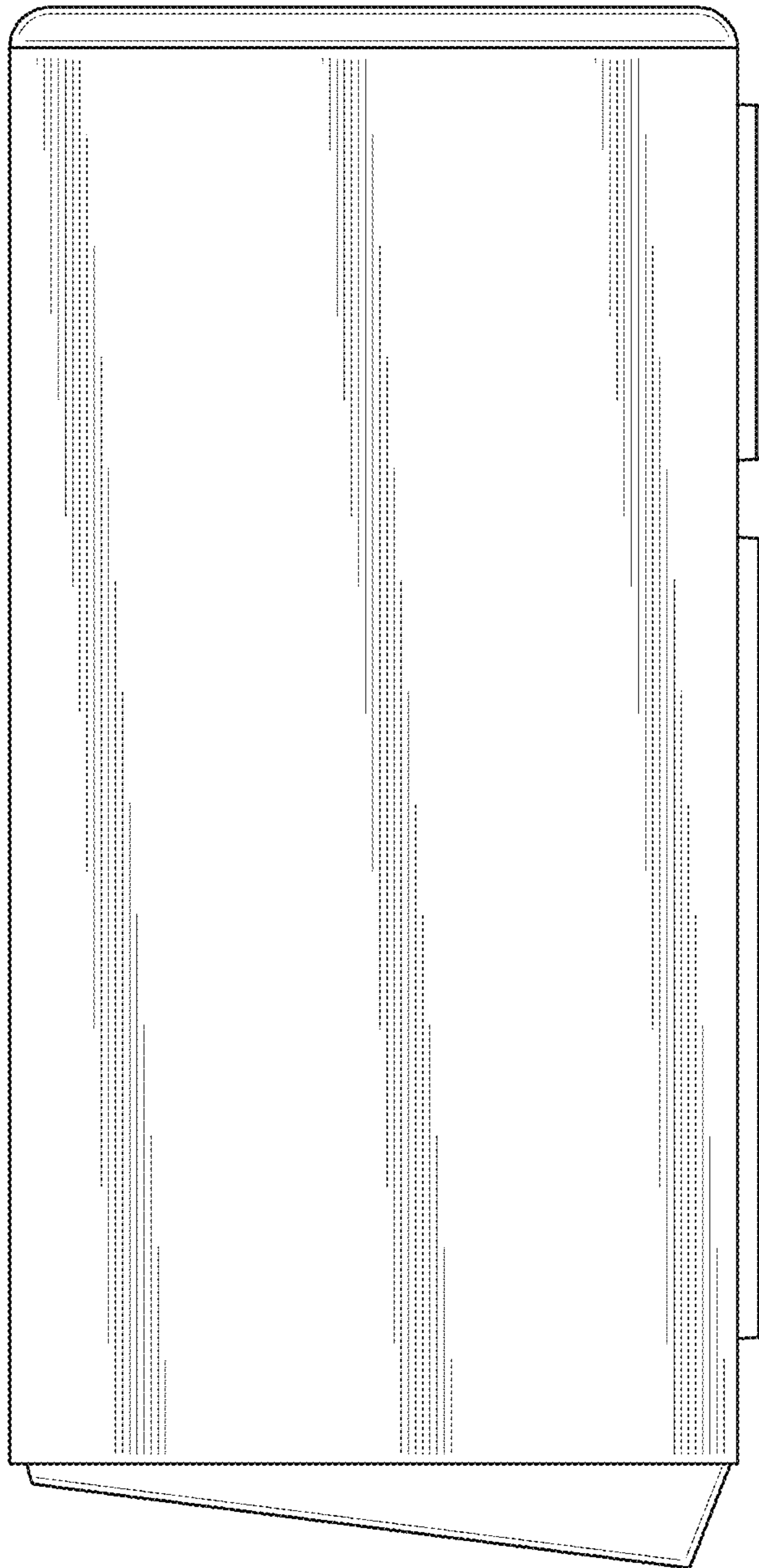


FIG. 14

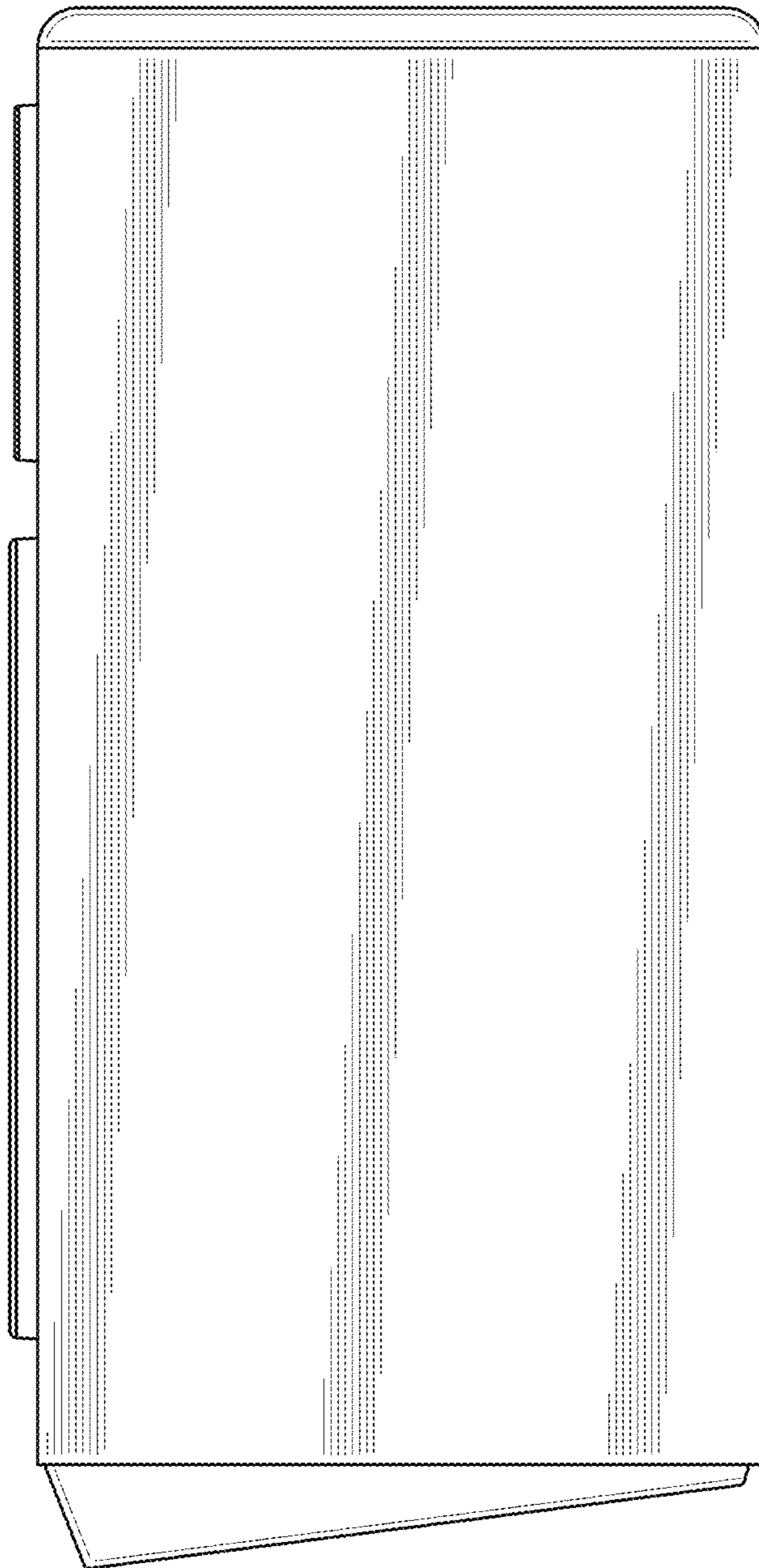


FIG. 15

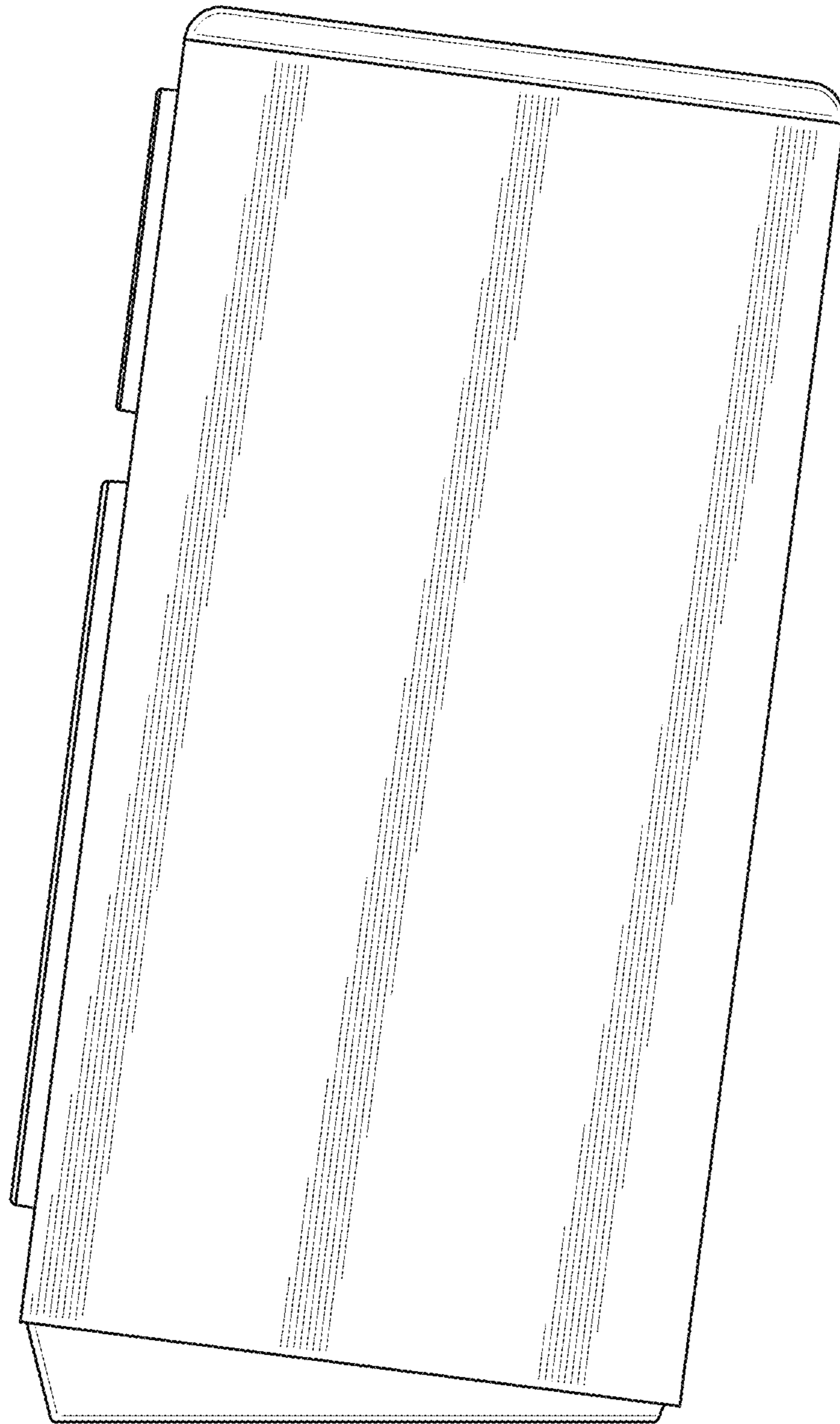


FIG. 16

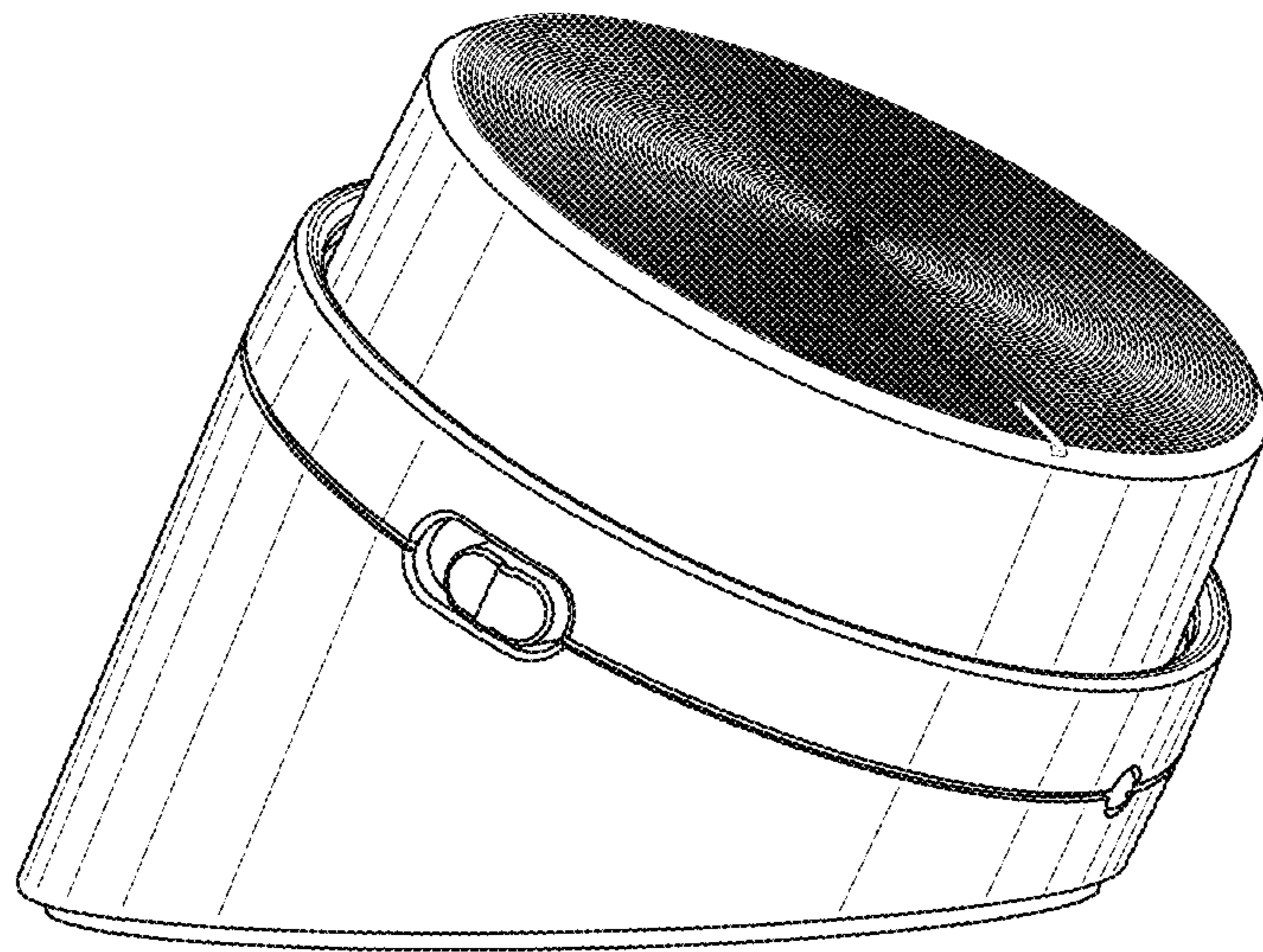


FIG. 17

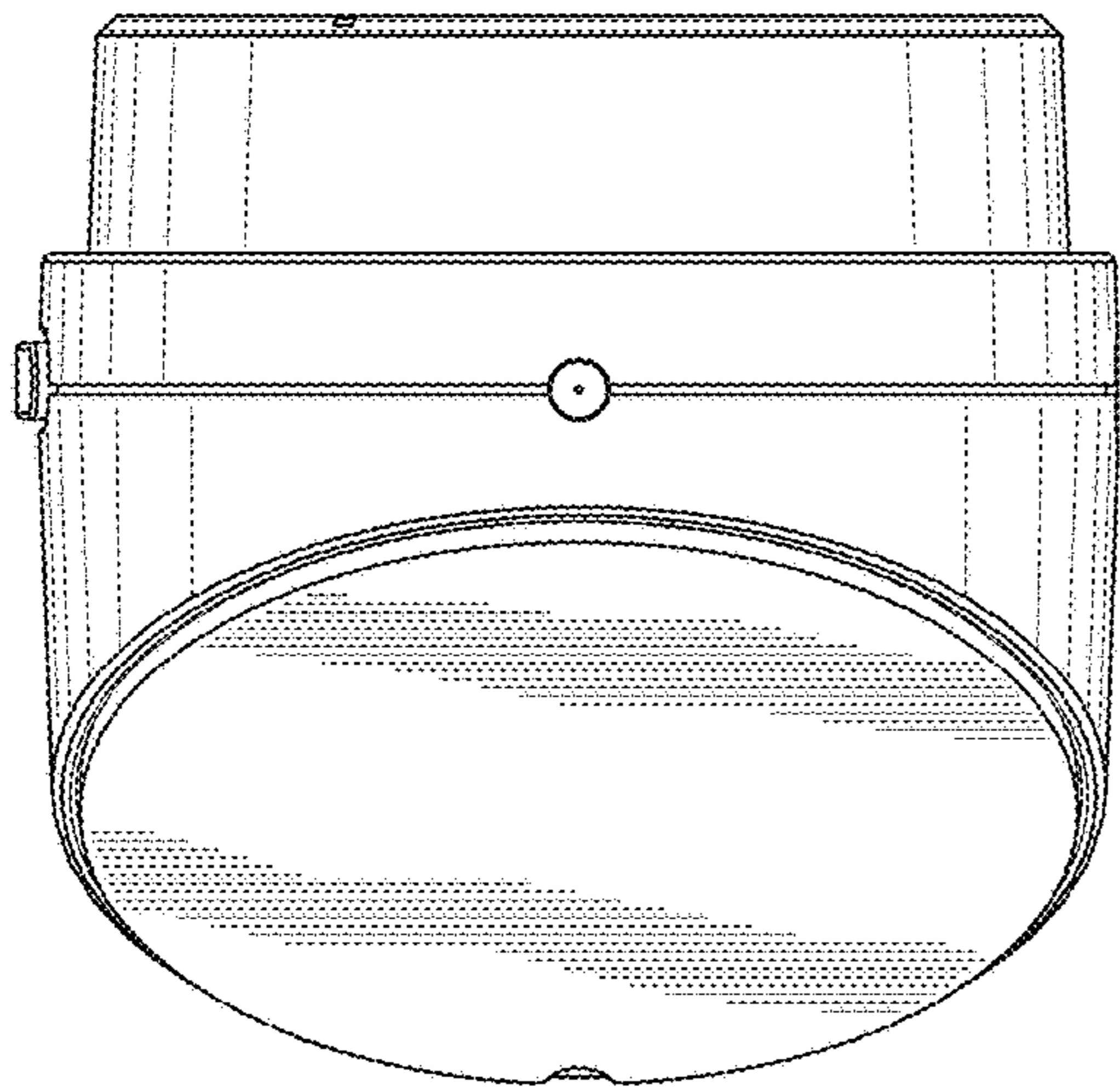


FIG. 18

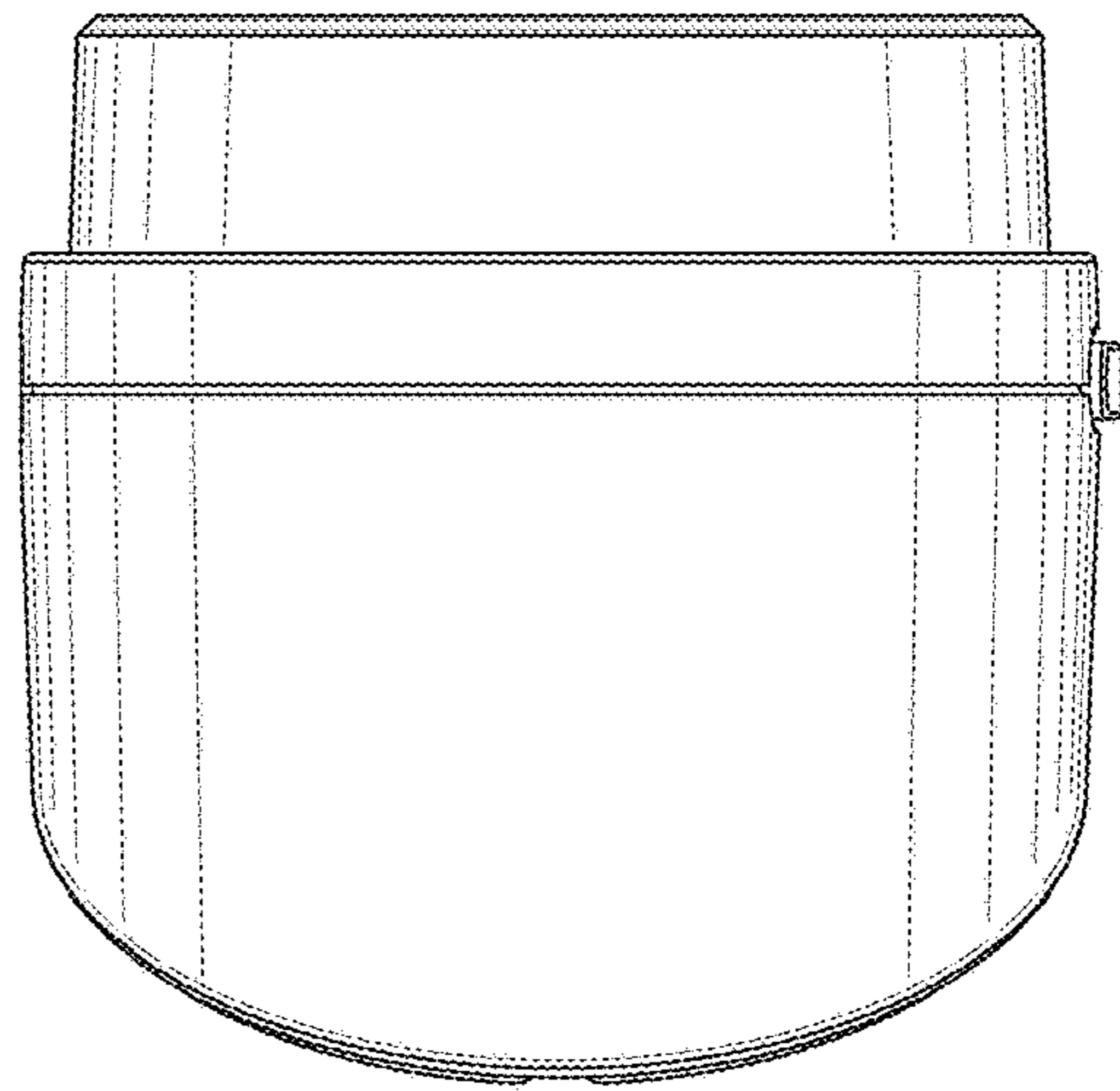


FIG. 19

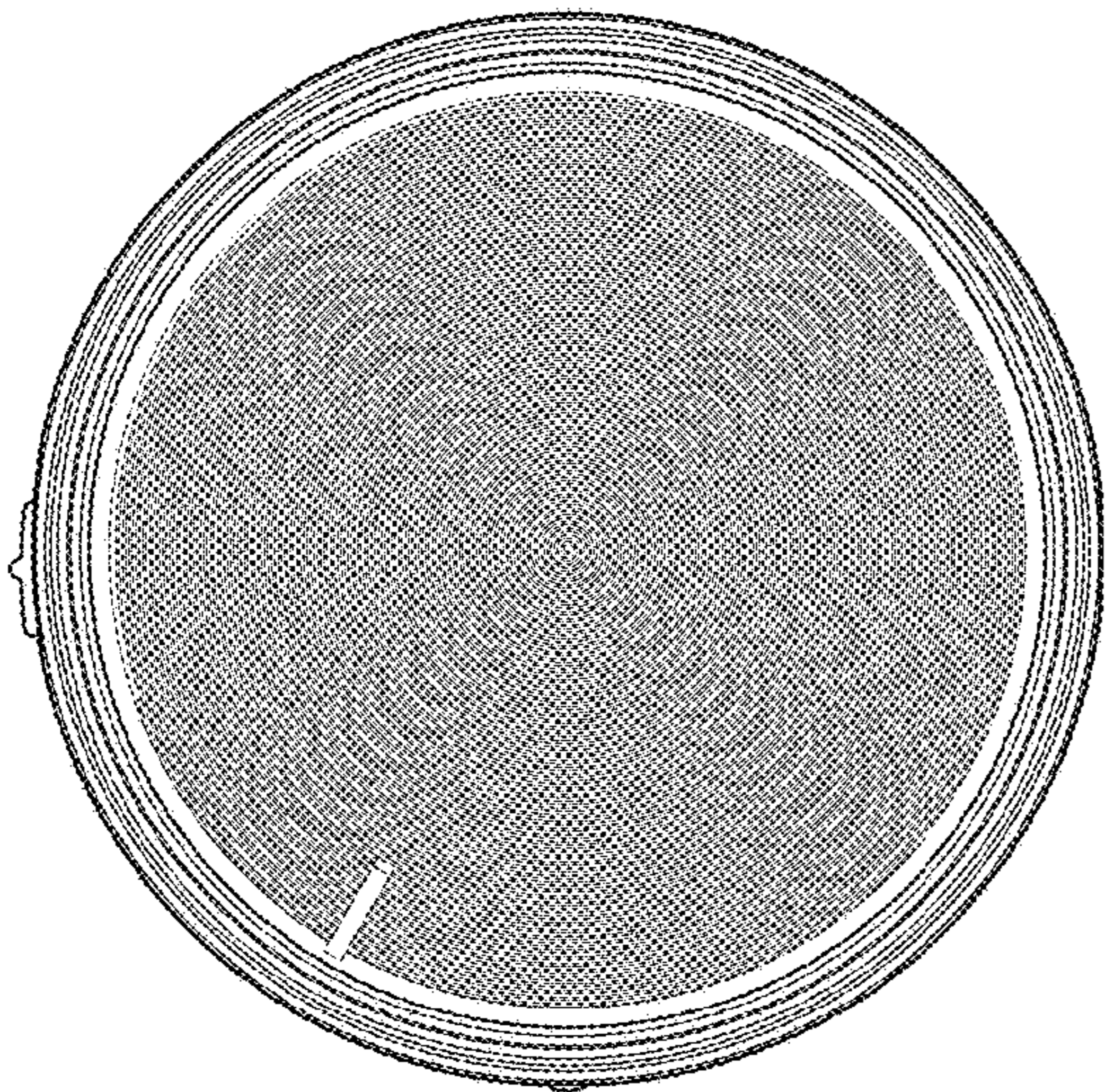


FIG. 20

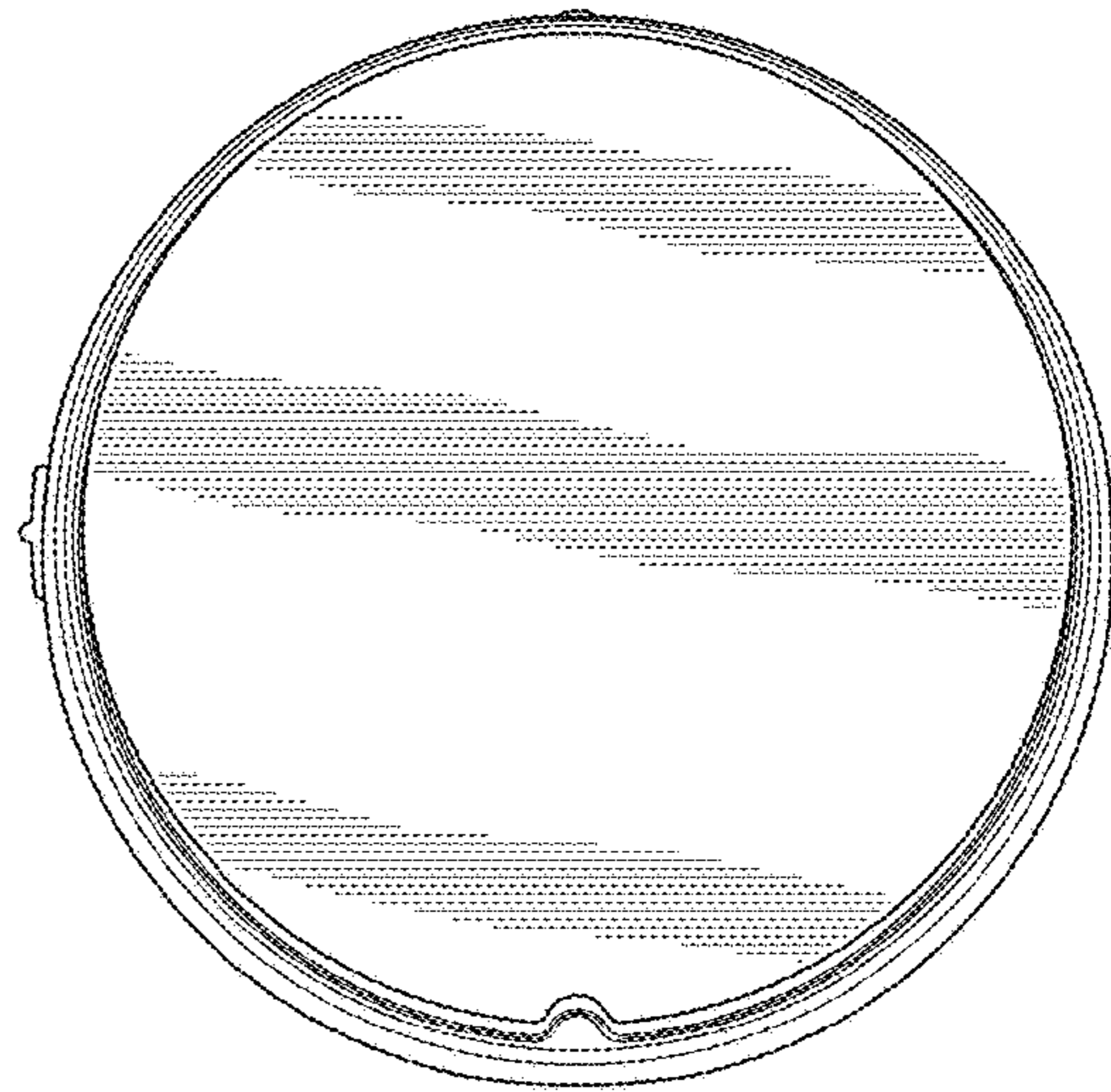


FIG. 21

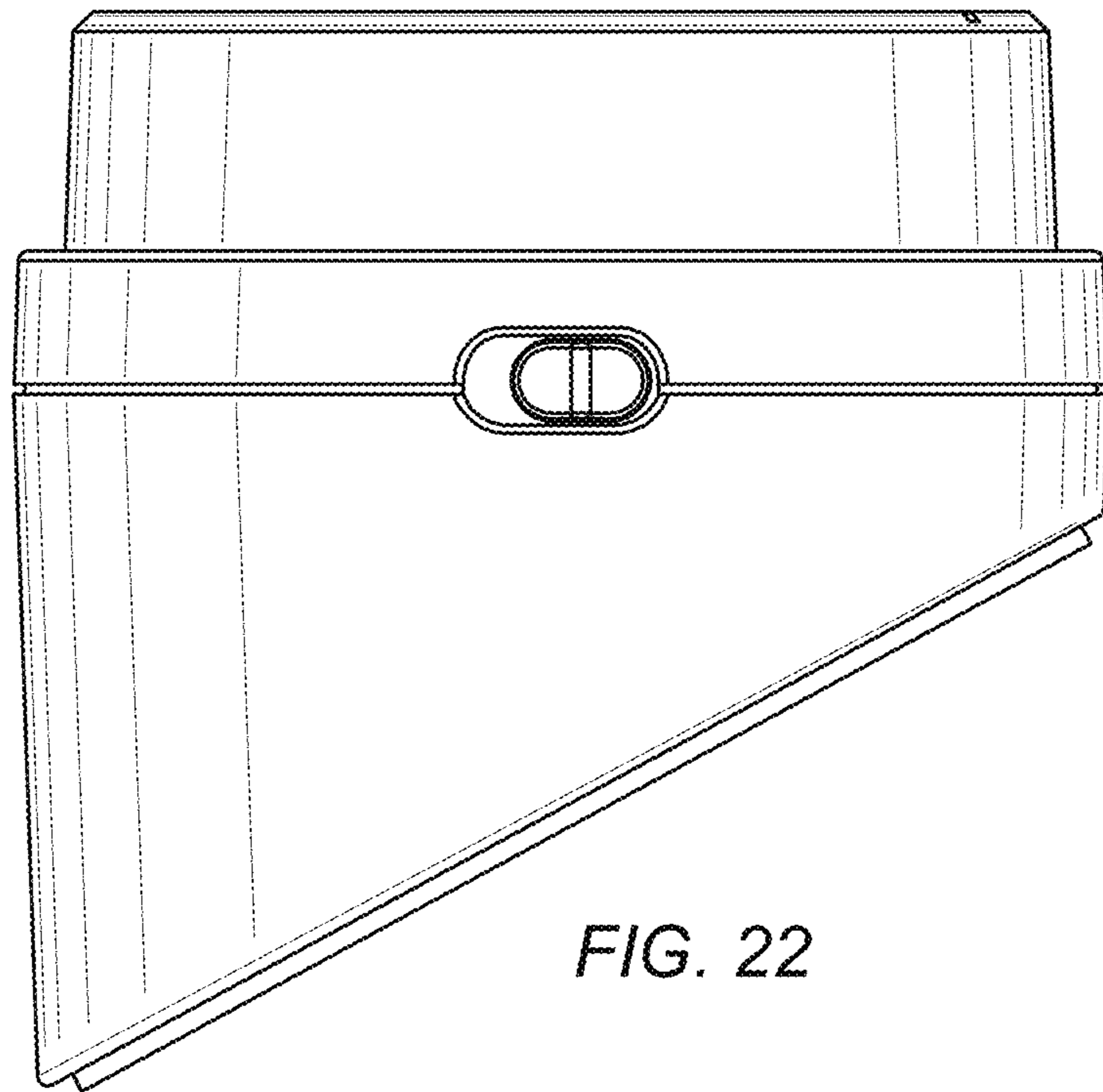


FIG. 22

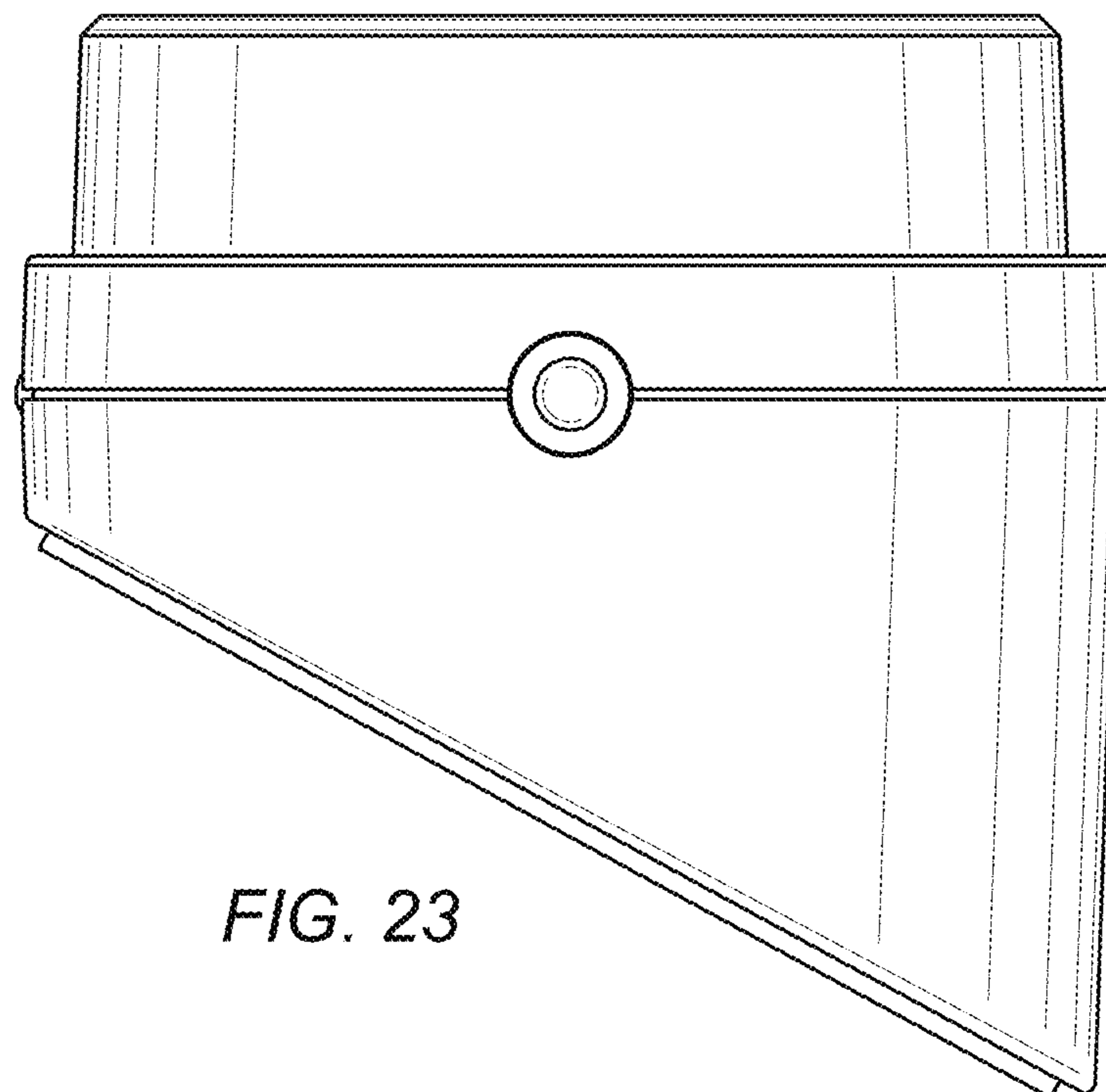


FIG. 23

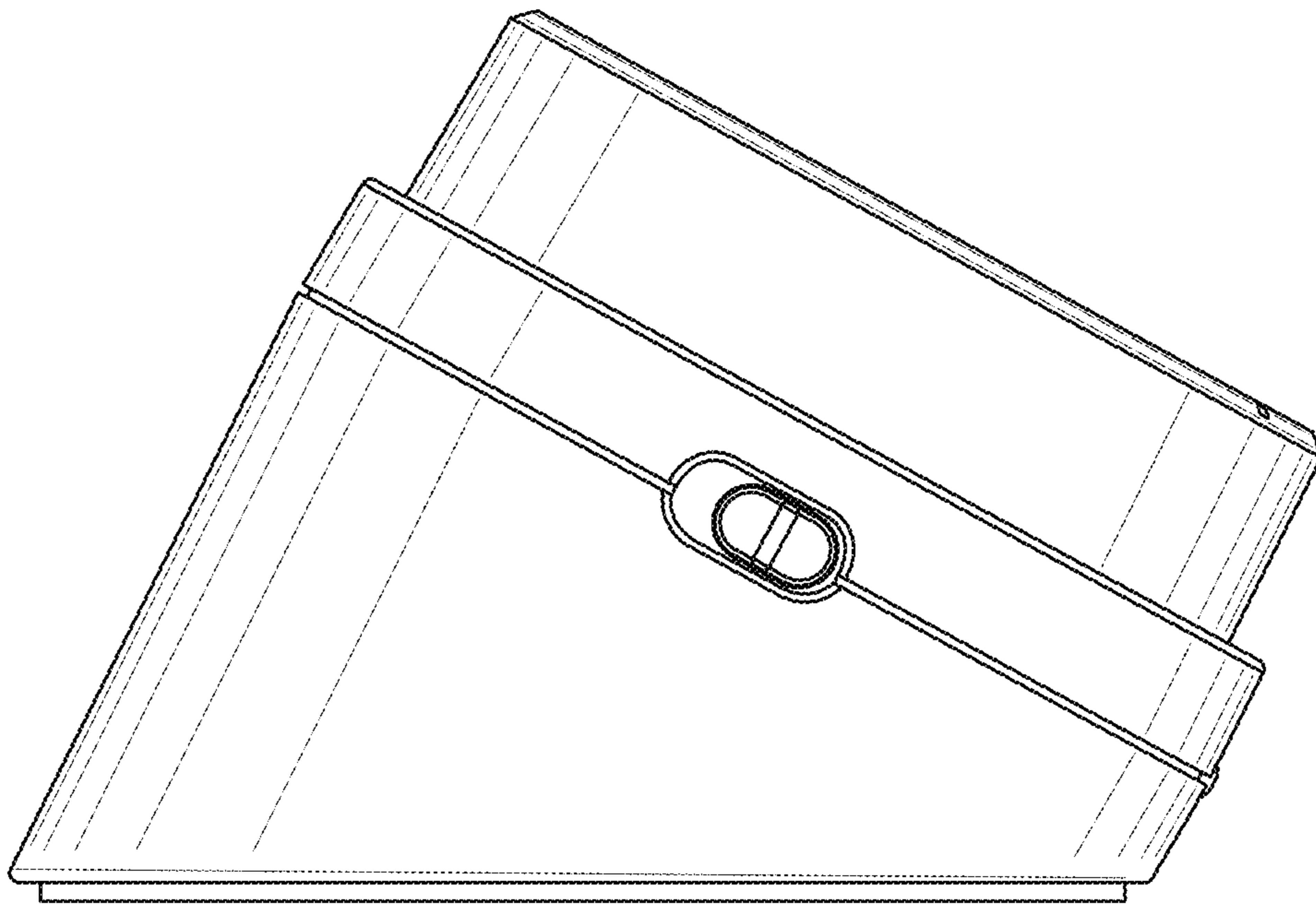


FIG. 24

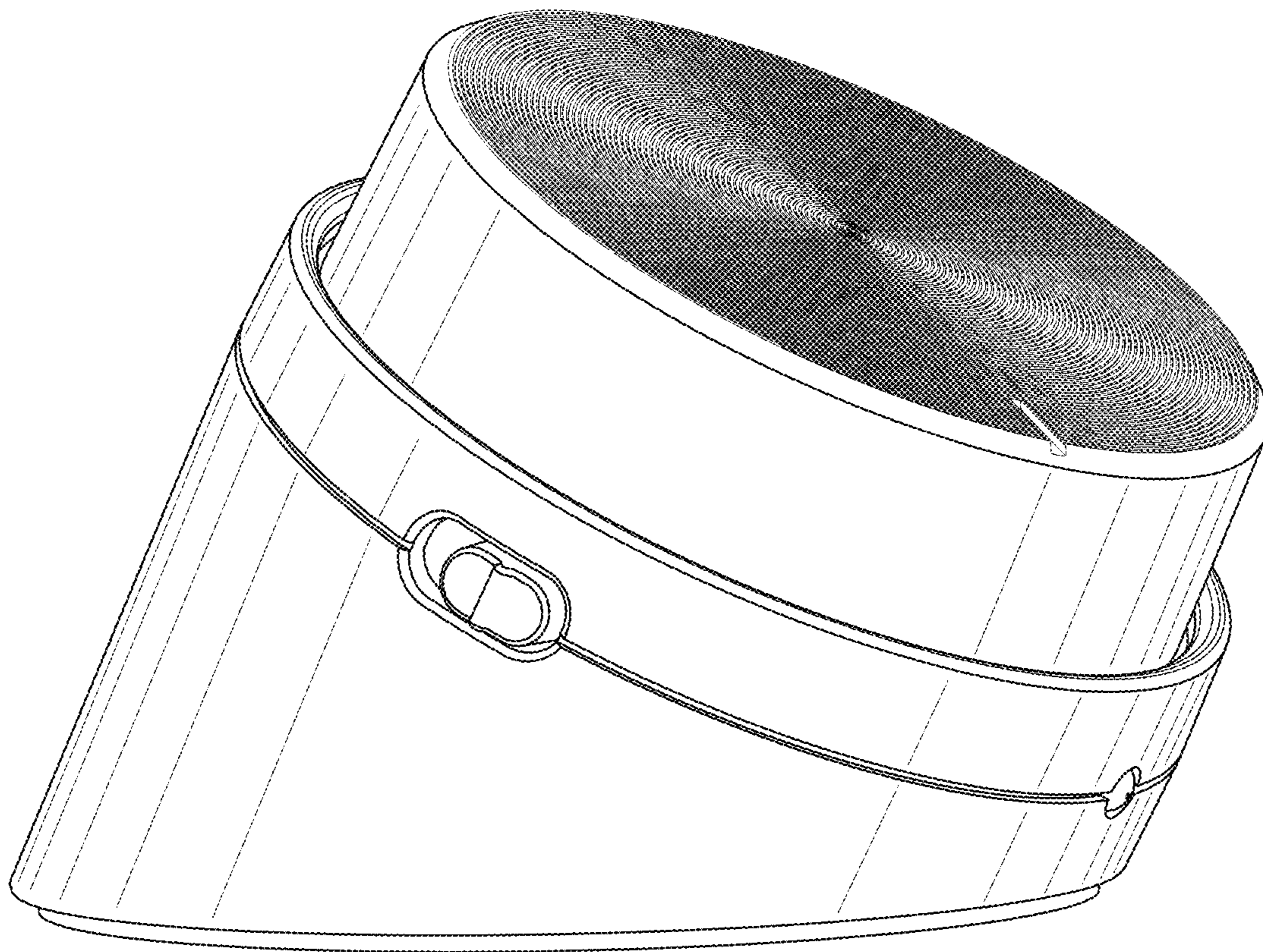


FIG. 25

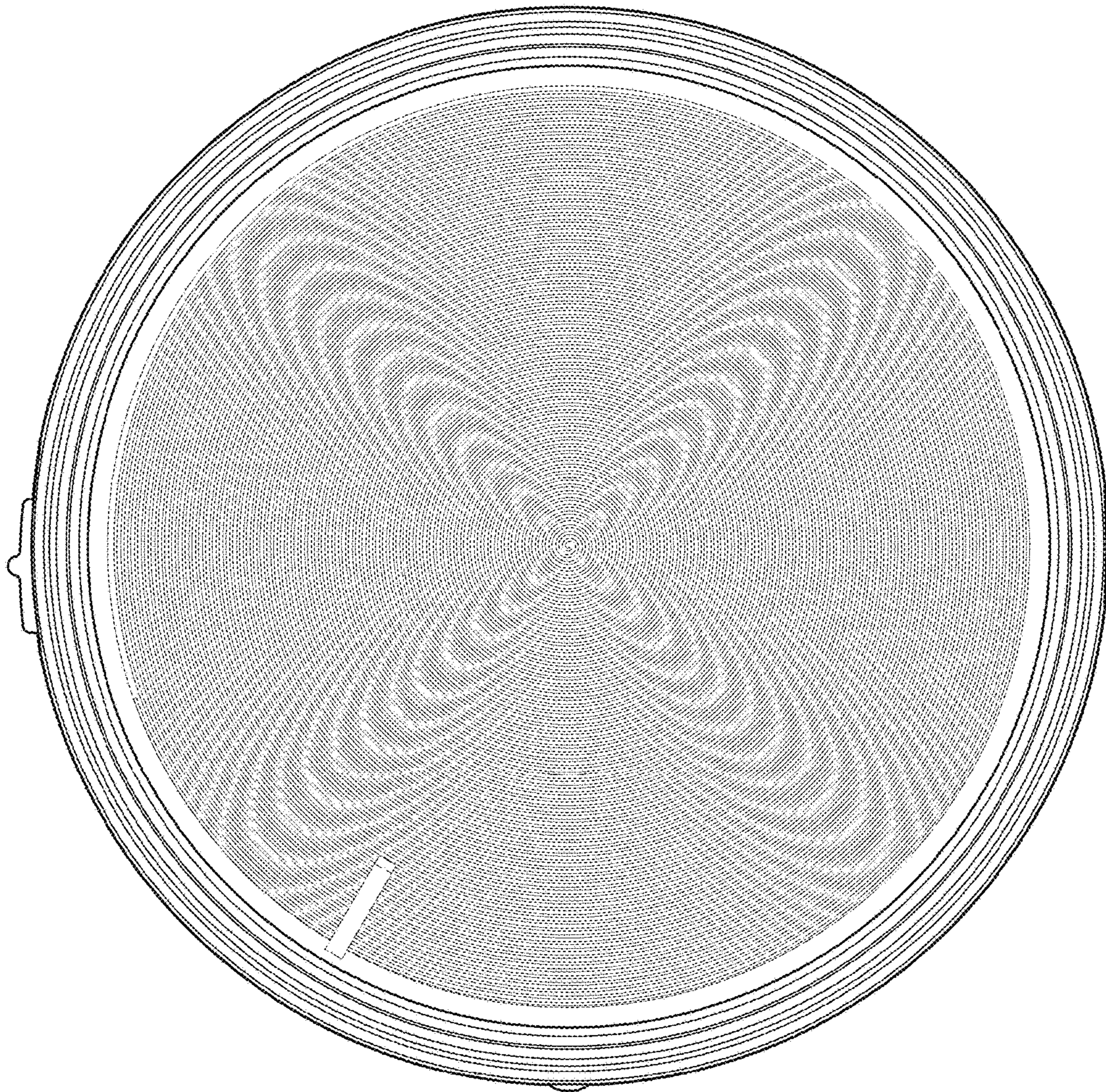


FIG. 26