



US00D777703S

(12) **United States Design Patent** (10) **Patent No.:** **US D777,703 S**  
**Su et al.** (45) **Date of Patent:** **\*\* Jan. 31, 2017**

(54) **SPEAKER SYSTEM**

(71) Applicant: **Logitech Europe S.A.**, Lausanne (CH)

(72) Inventors: **Chun-Wei Su**, Taipei (TW); **Marten Helwig**, Bern-Hinterkappele (CH); **Tanyel Yalazoglu**, Lausanne (CH)

(73) Assignee: **Logitech Europe S.A.**, Lausanne (CH)

(\*\*) Term: **15 Years**

(21) Appl. No.: **29/538,056**

(22) Filed: **Aug. 31, 2015**

(51) **LOC (10) Cl.** ..... **14-03**

(52) **U.S. Cl.**

USPC ..... **D14/214**

(58) **Field of Classification Search**

USPC ..... D14/167, 168, 170–172, 188, 194–196, D14/204, 207, 209.1, 210–216, 219, 221, D14/222, 224, 239, 496, 218; 181/143, 181/144, 147, 148, 150, 153, 157, 198, 181/199; 381/300–303, 306, 332, 333, 381/336, 345, 361–364, 386–388; 369/6–12  
CPC ..... B60R 11/0217; G06F 1/1688; G10K 9/22; G10K 11/004; H03F 1/327; H04M 1/03; H04M 1/035; H04N 5/642; H04N 21/4852; H04R 1/02; H04R 1/06; H04R 1/021; H04R 1/025; H04R 1/026; H04R 1/028; H04R 1/105; H04R 1/323; H04R 1/403; H04R 1/2803; H04R 1/2834; H04R 5/02; H04R

(Continued)

(56) **References Cited**

U.S. PATENT DOCUMENTS

D624,525 S \* 9/2010 Kim ..... D14/168  
D627,329 S \* 11/2010 Ryu ..... D14/168

(Continued)

*Primary Examiner* — Keli L Hill

(74) *Attorney, Agent, or Firm* — Kilpatrick Townsend & Stockton LLP

(57) **CLAIM**

The ornamental design for the speaker system, as shown and described.

**DESCRIPTION**

FIG. 1 is a perspective view of our speaker system showing our design;

FIG. 2 is a perspective view of a subwoofer for the speaker system;

FIG. 3 is a front plan view thereof;

FIG. 4 is back plan view thereof;

FIG. 5 is a top plan view thereof;

FIG. 6 is a bottom plan view thereof;

FIG. 7 is a left side plan view thereof; and

FIG. 8 is a right side plan view thereof.

FIG. 9 is a perspective view of a speaker for the speaker system;

FIG. 10 is a front plan view thereof;

FIG. 11 is back plan view thereof;

FIG. 12 is a top plan view thereof;

FIG. 13 is a bottom plan view thereof;

FIG. 14 is a left side plan view thereof;

FIG. 15 is a right side plan view thereof; and

FIG. 16 is right side plan view thereof shown as it would look on a surface.

FIG. 17 is the perspective view of a volume control for the speaker system;

FIG. 18 is the front plan view thereof;

FIG. 19 is a back plan view thereof;

FIG. 20 is a top plan view thereof;

FIG. 21 is a bottom plan view thereof;

FIG. 22 is a left plan view thereof;

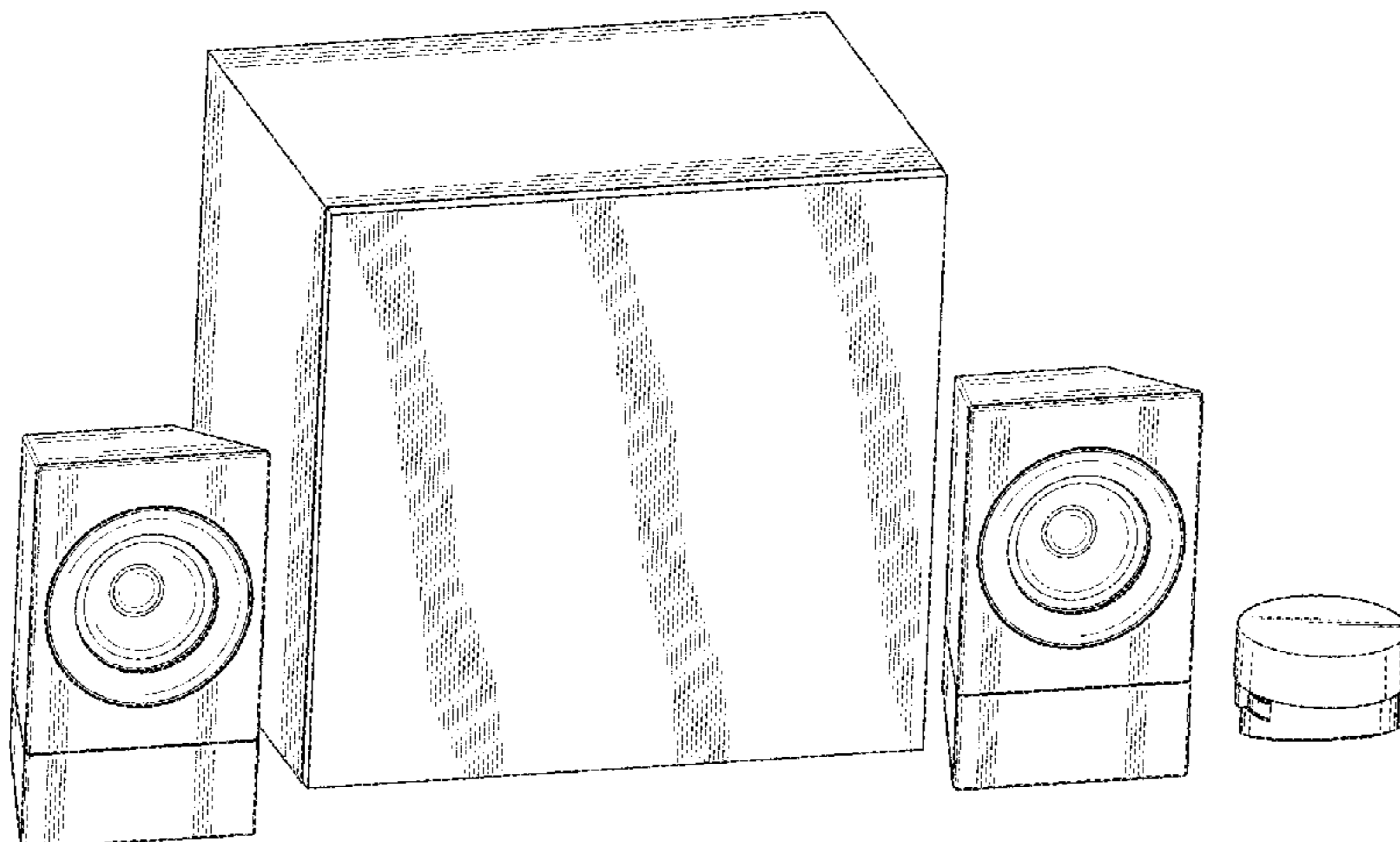
FIG. 23 is a right plan view thereof;

FIG. 24 is the left plan view thereof with a slider switch in a second position;

FIG. 25 is the left plan view thereof with the slider switch in a third position; and,

FIG. 26 is the left plan view thereof shown as it would look on a surface.

(Continued)



The broken lines shown represent unclaimed subject matter and form no part of the claimed design.

**1 Claim, 21 Drawing Sheets**

**(58) Field of Classification Search**

CPC ..... 7/20;H04R 9/06; H04R 9/025; H04R  
2201/021; H04R 2400/00; H04R 2400/07;  
H04R 2499/11; H04R 2499/13; H04R  
2499/15; H04S 3/00; H04S 7/30

See application file for complete search history.

**(56) References Cited**

U.S. PATENT DOCUMENTS

D628,553	S	*	12/2010	Cho	.....	D14/168
D720,752	S	*	1/2015	Bleeds	.....	D14/420
D729,201	S	*	5/2015	Park	.....	D14/214
D729,773	S	*	5/2015	Salojarvi	.....	D14/218
D748,078	S	*	1/2016	Nardin	.....	D14/218
D756,333	S	*	5/2016	Smith	.....	D13/168
D759,628	S	*	6/2016	McManigal	.....	D14/214
2009/0121905	A1	*	5/2009	Griffin, Jr.	.....	G08C 17/02 341/35

\* cited by examiner

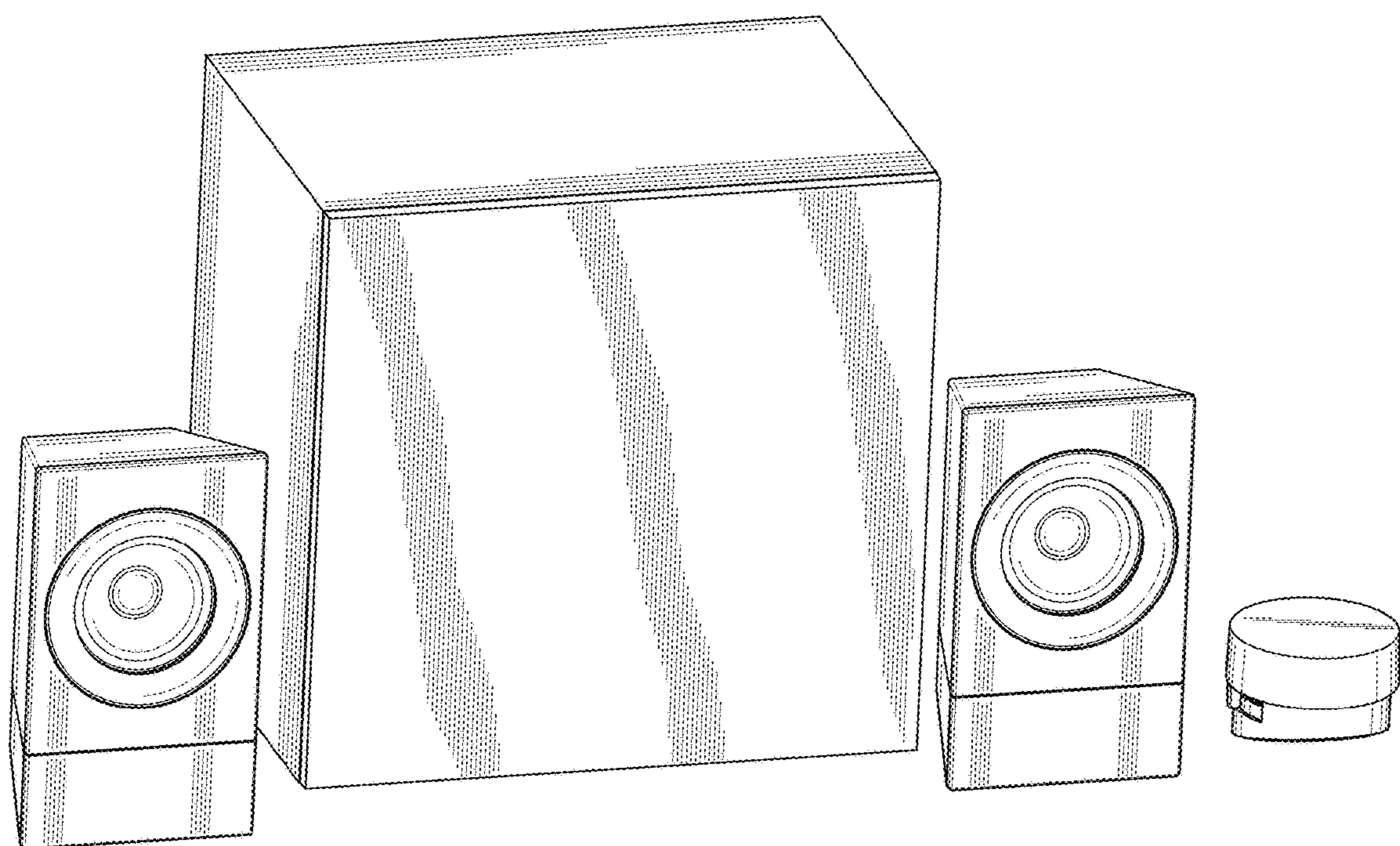


FIG. 1

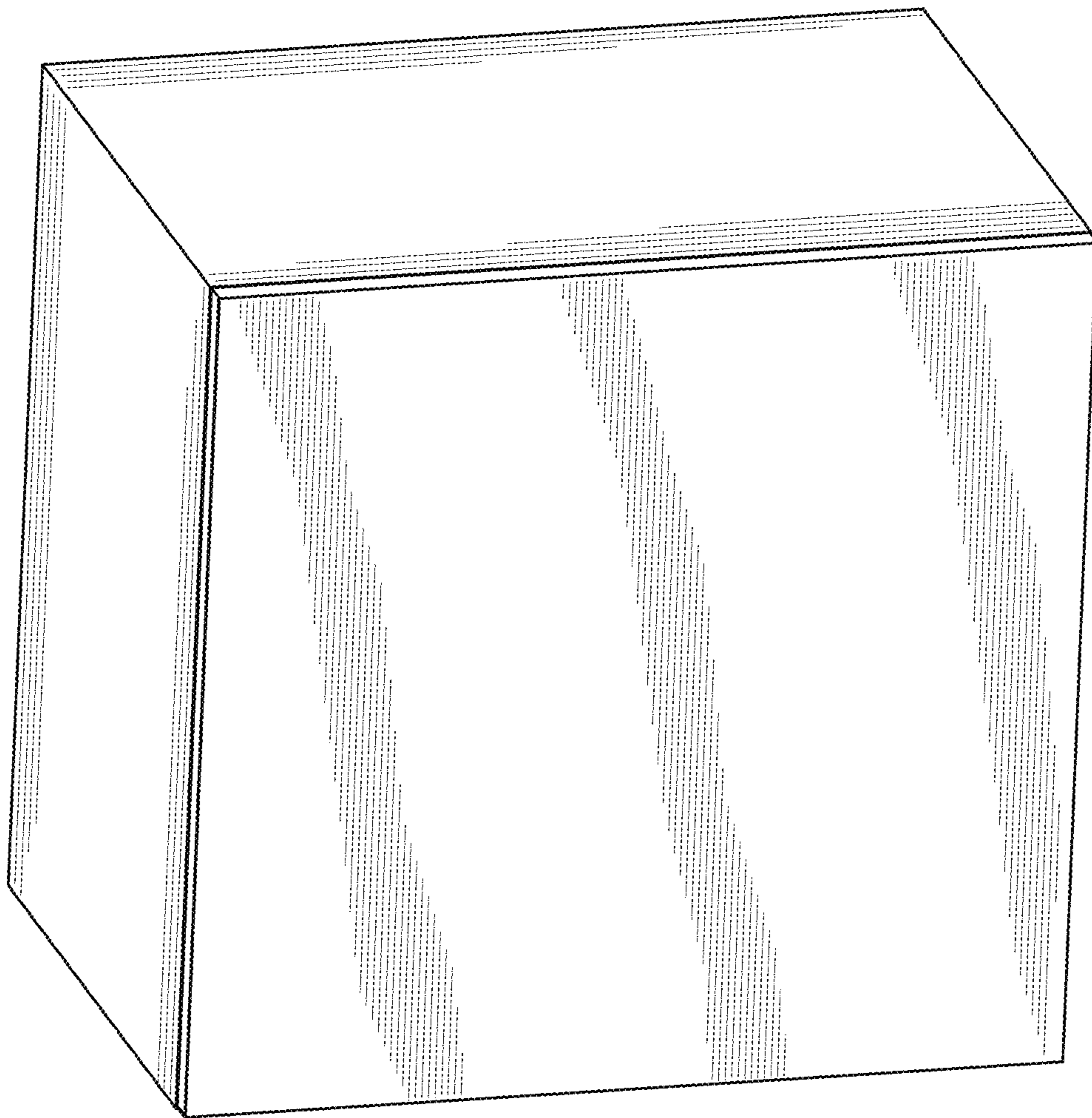
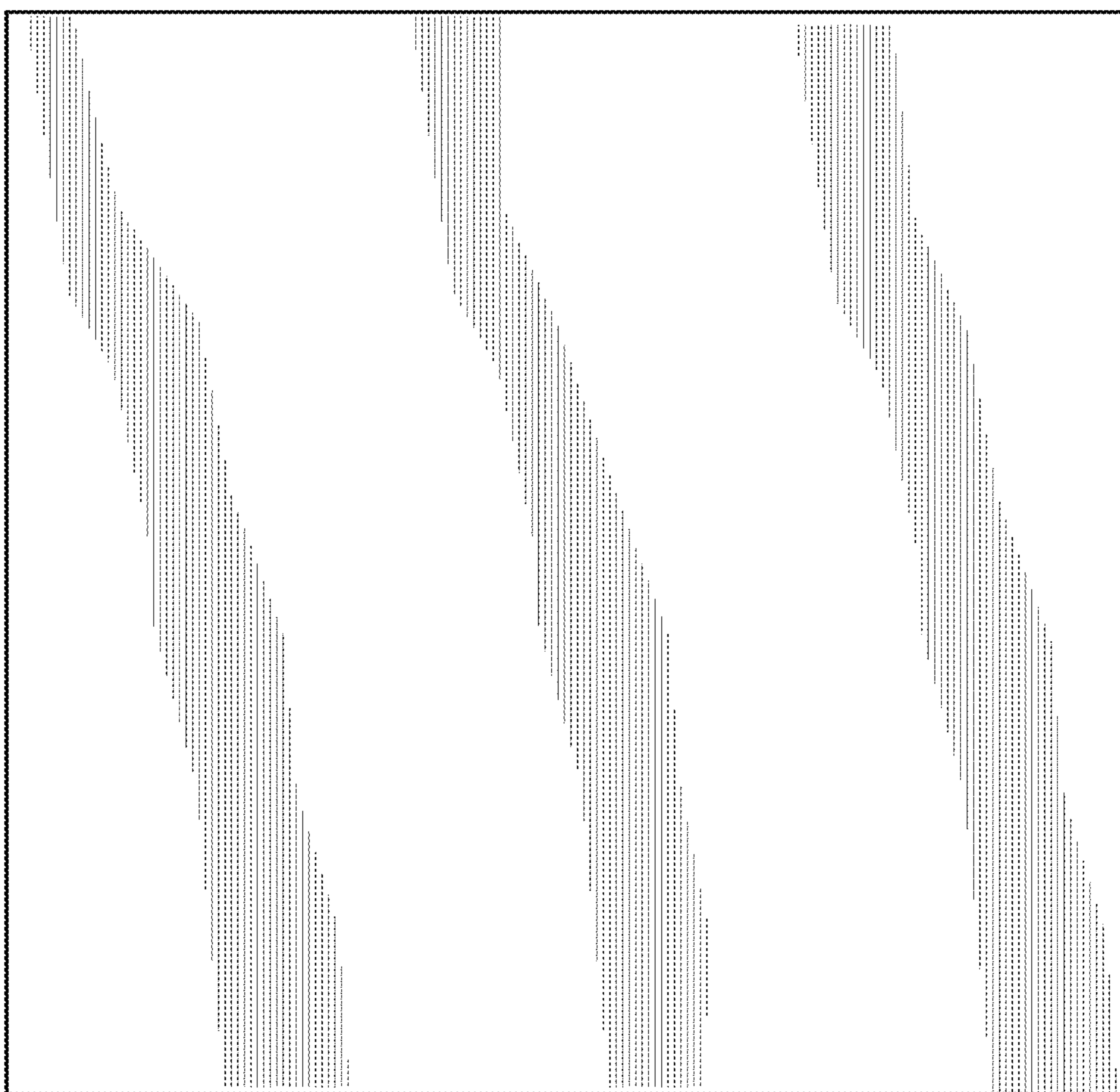
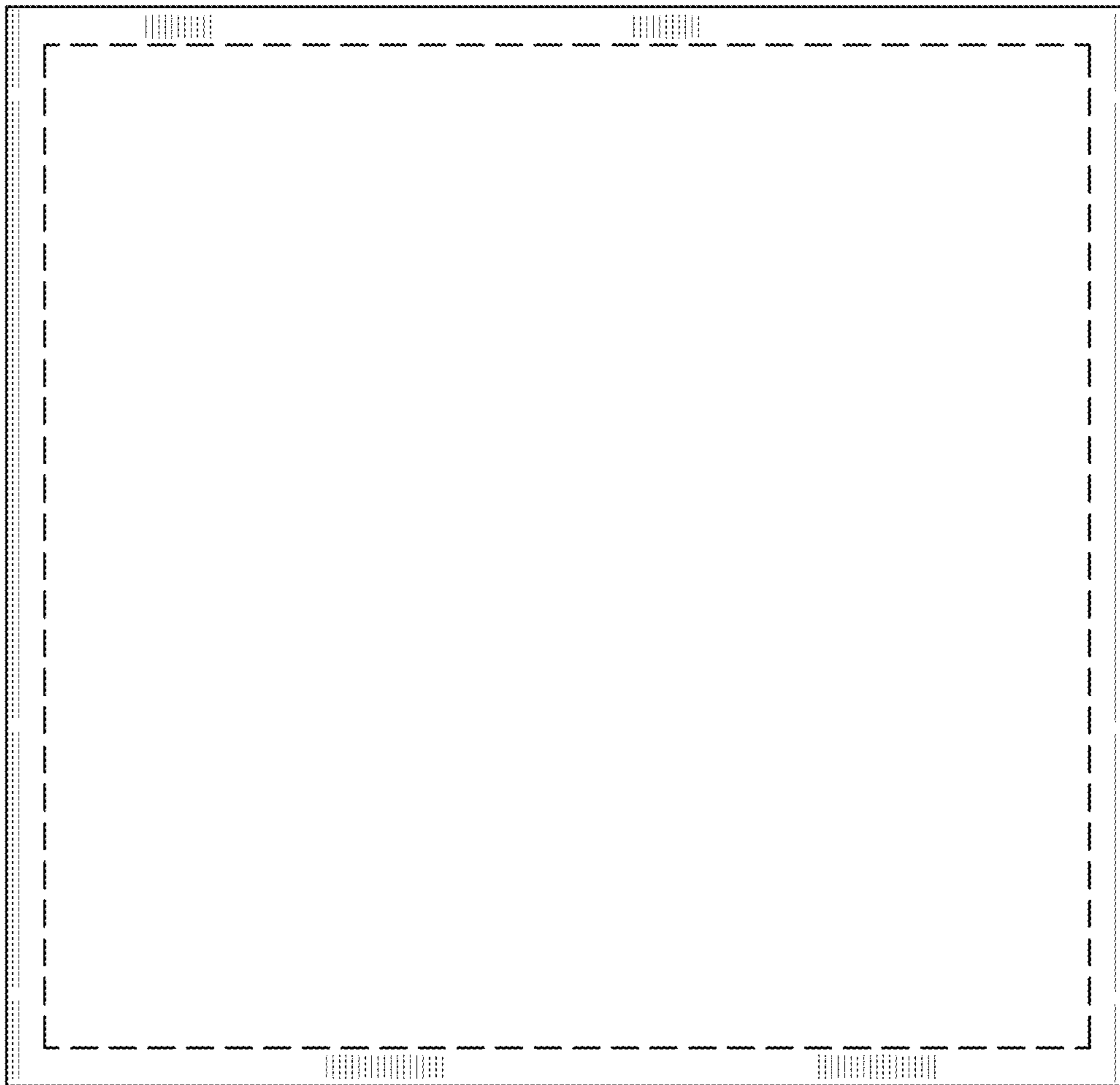


FIG. 2



*FIG. 3*



*FIG. 4*

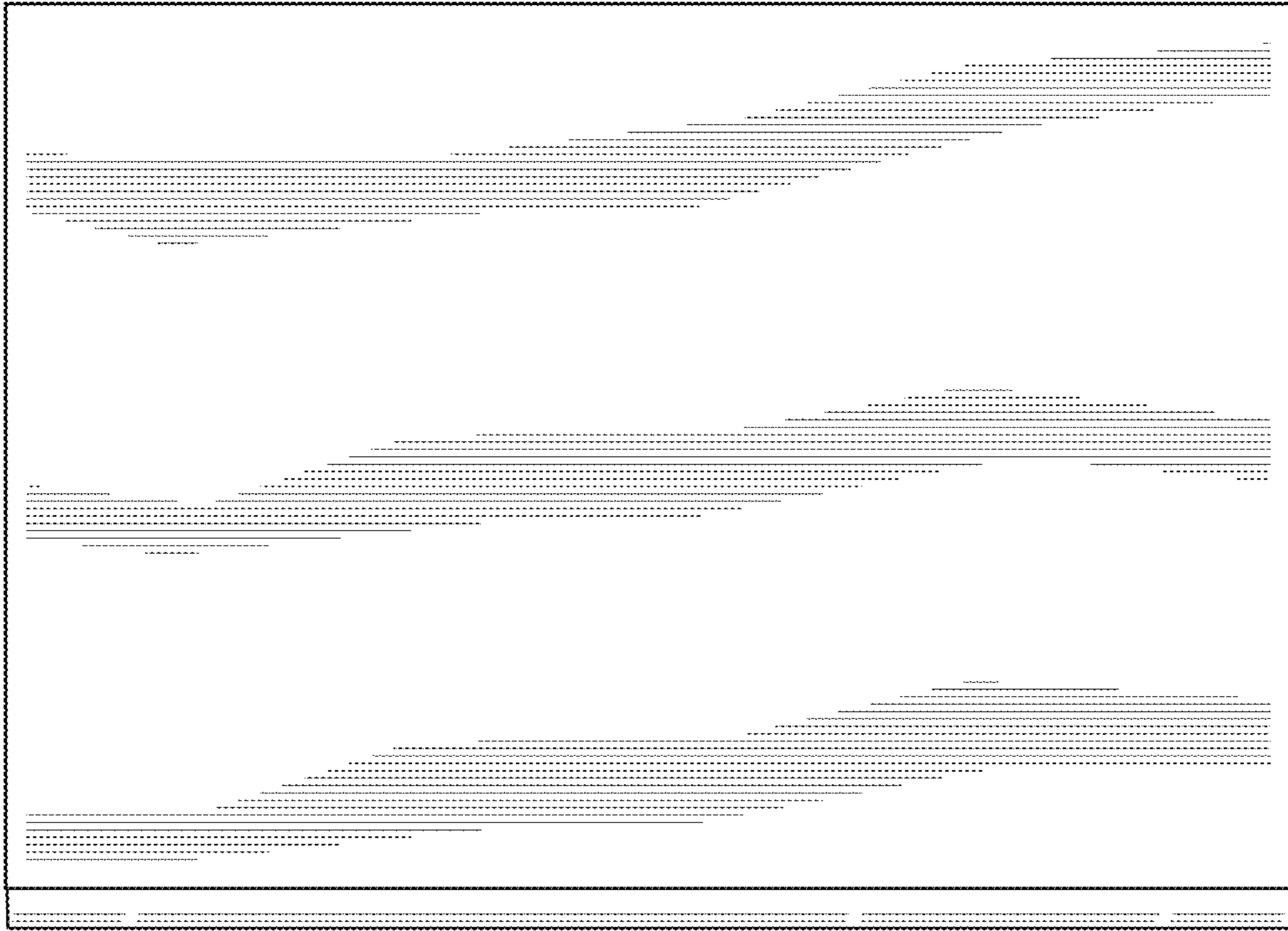


FIG. 5

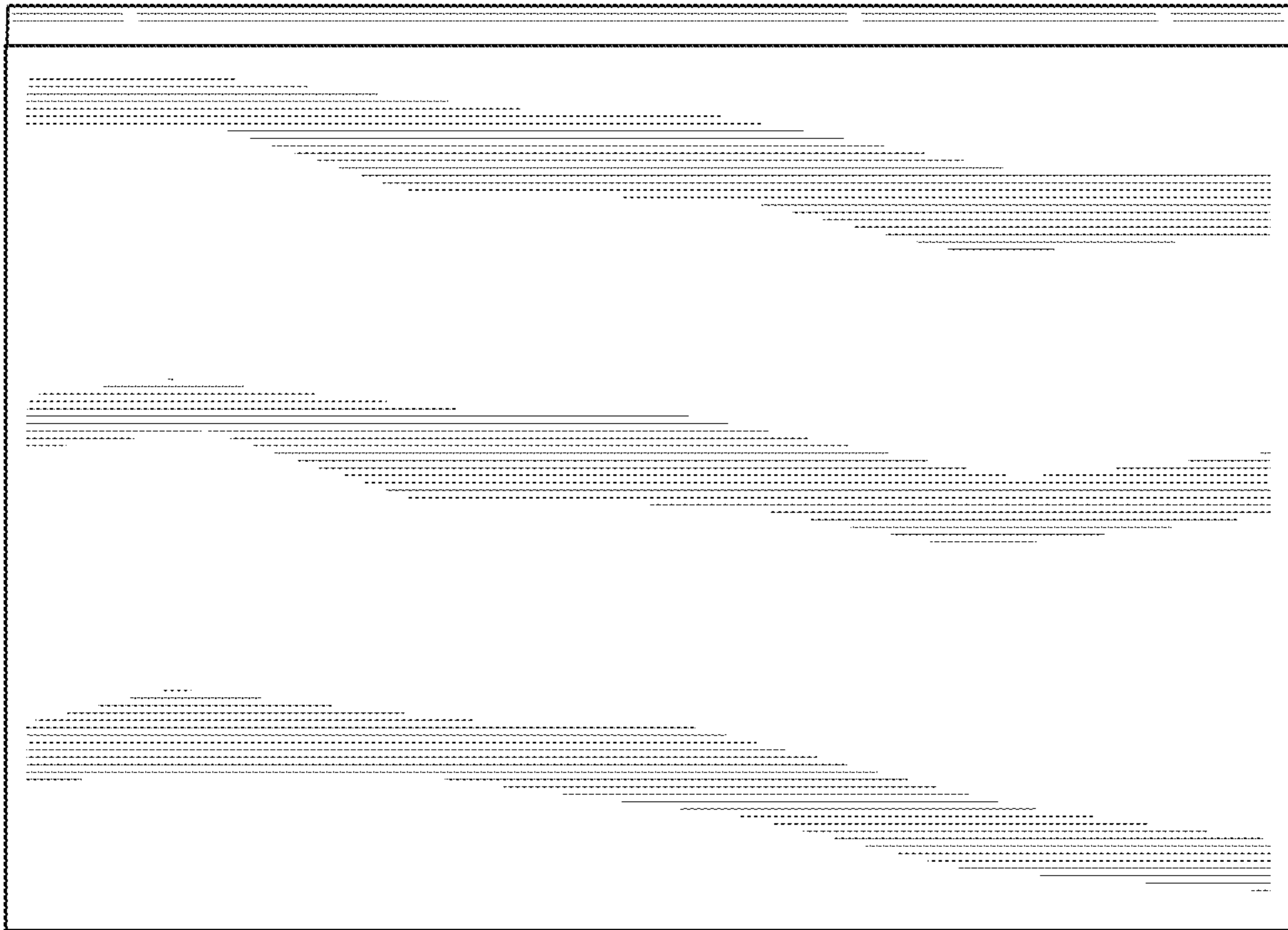


FIG. 6

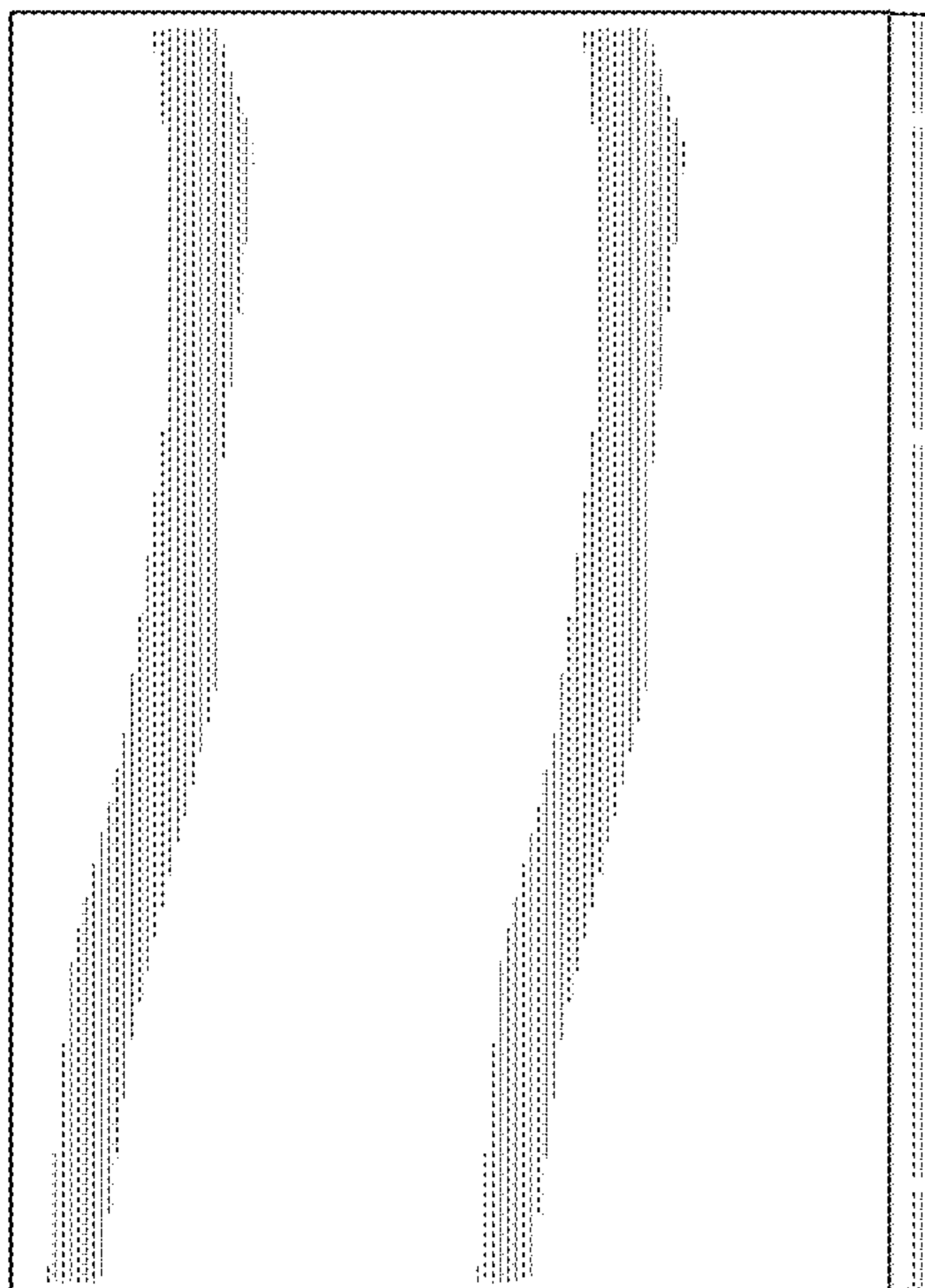


FIG. 7

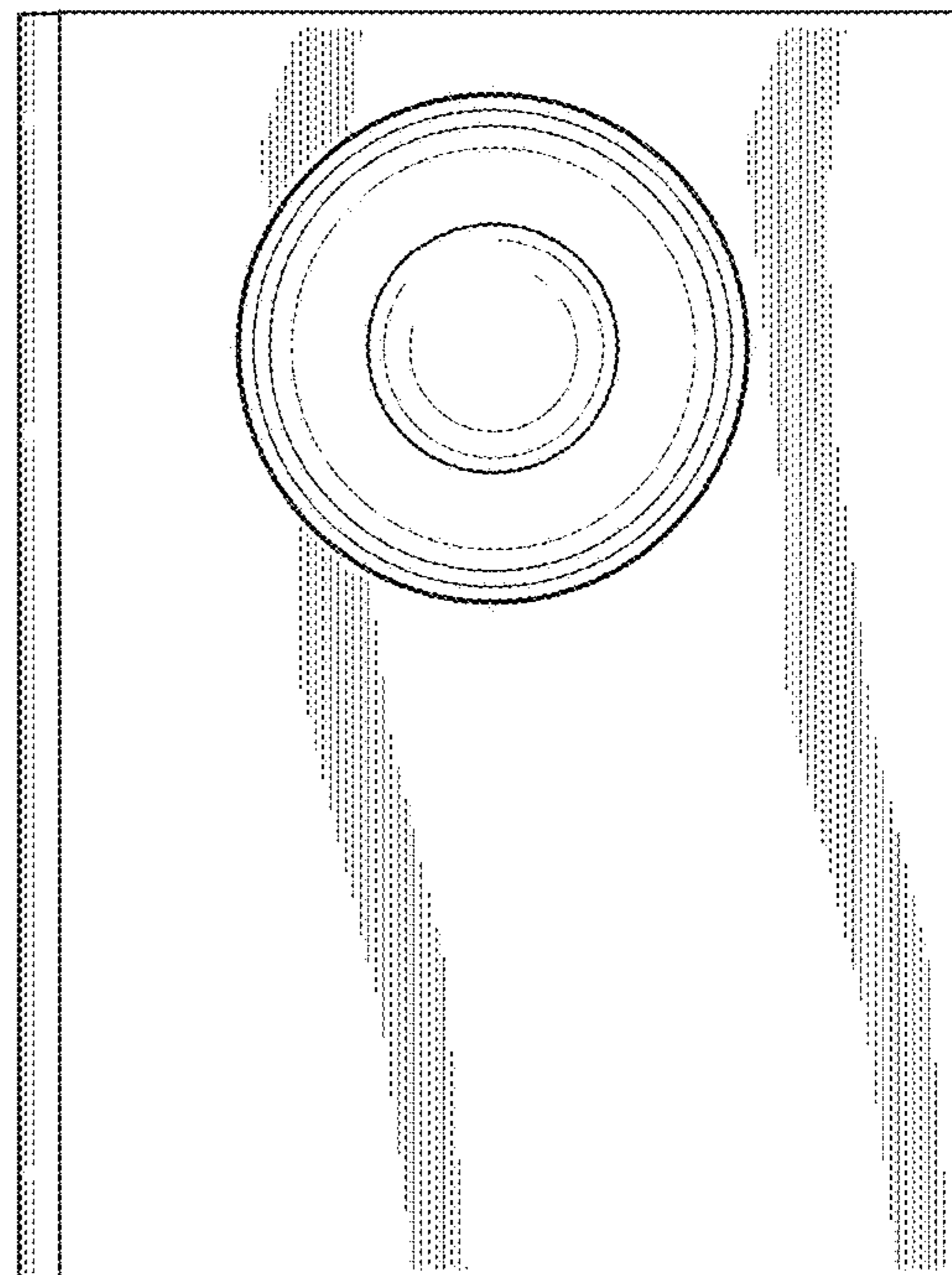


FIG. 8



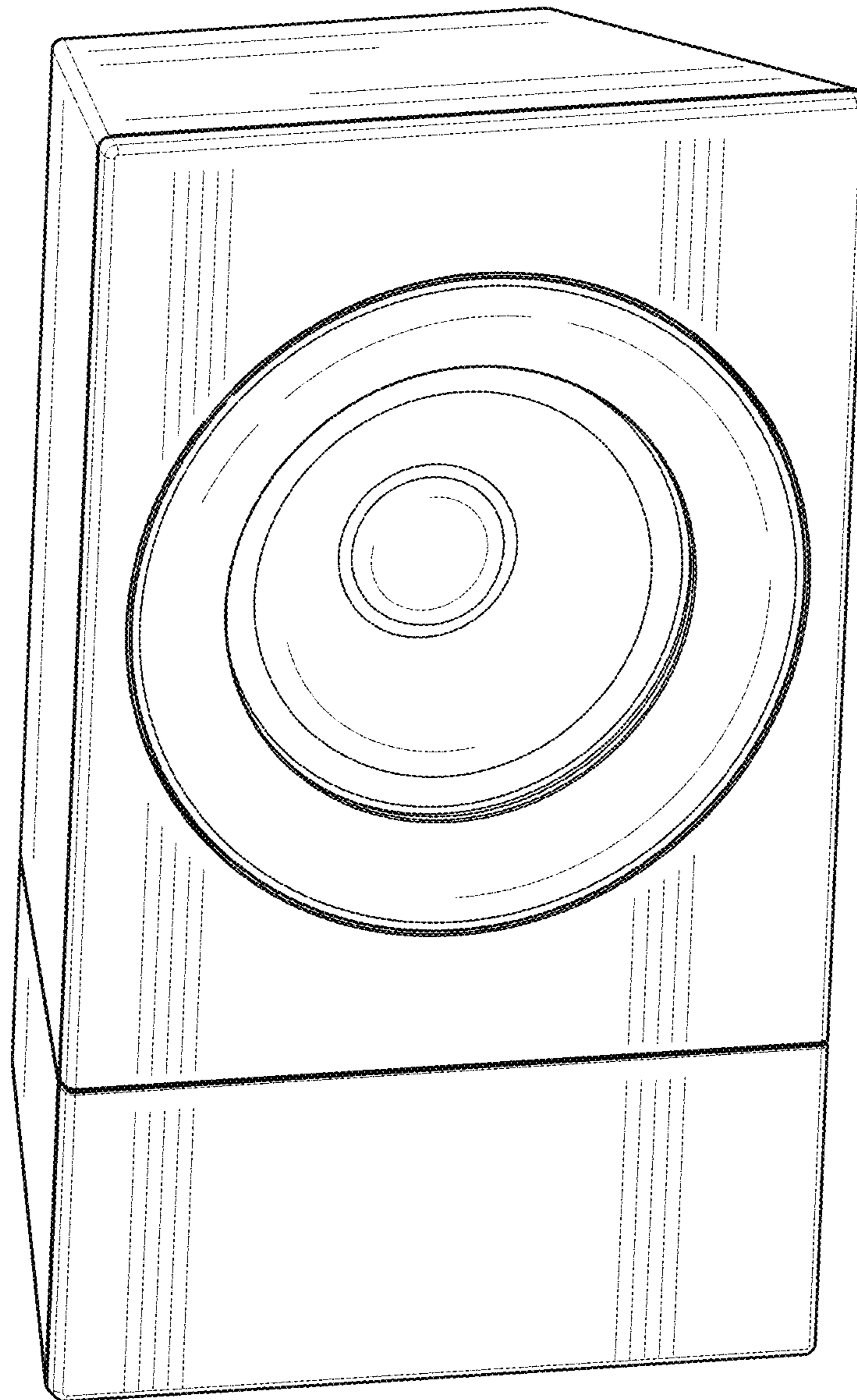


FIG. 9

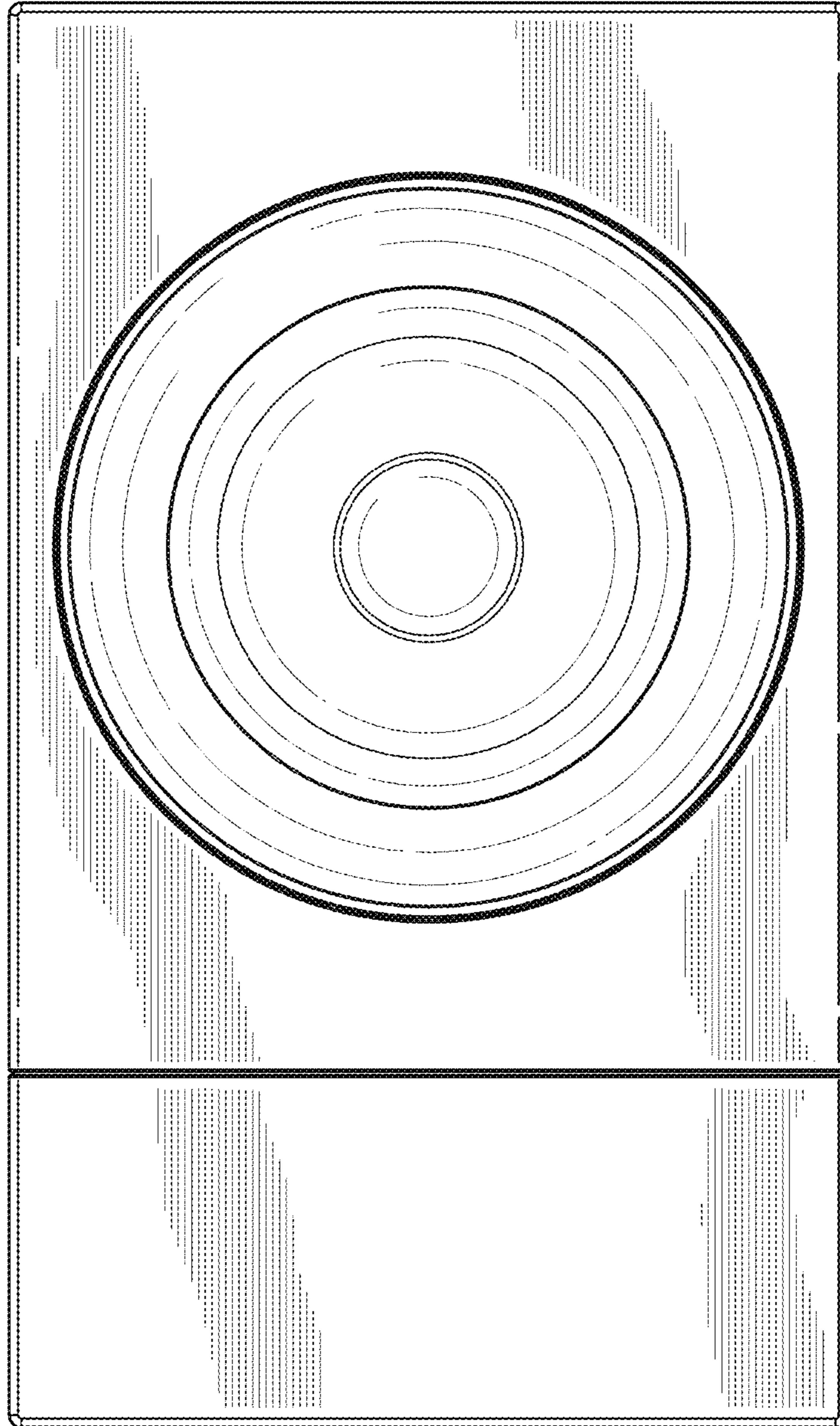


FIG. 10

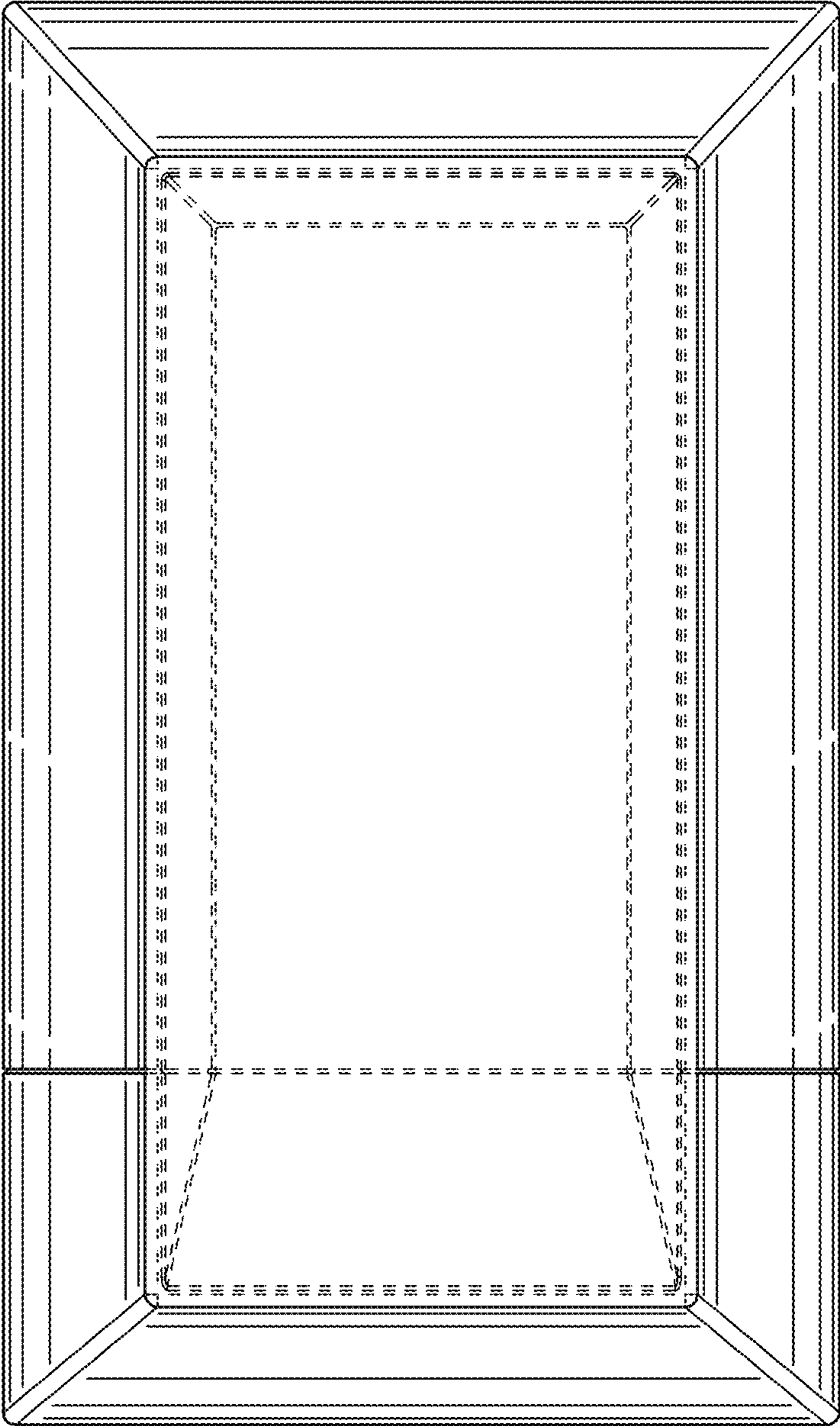


FIG. 11

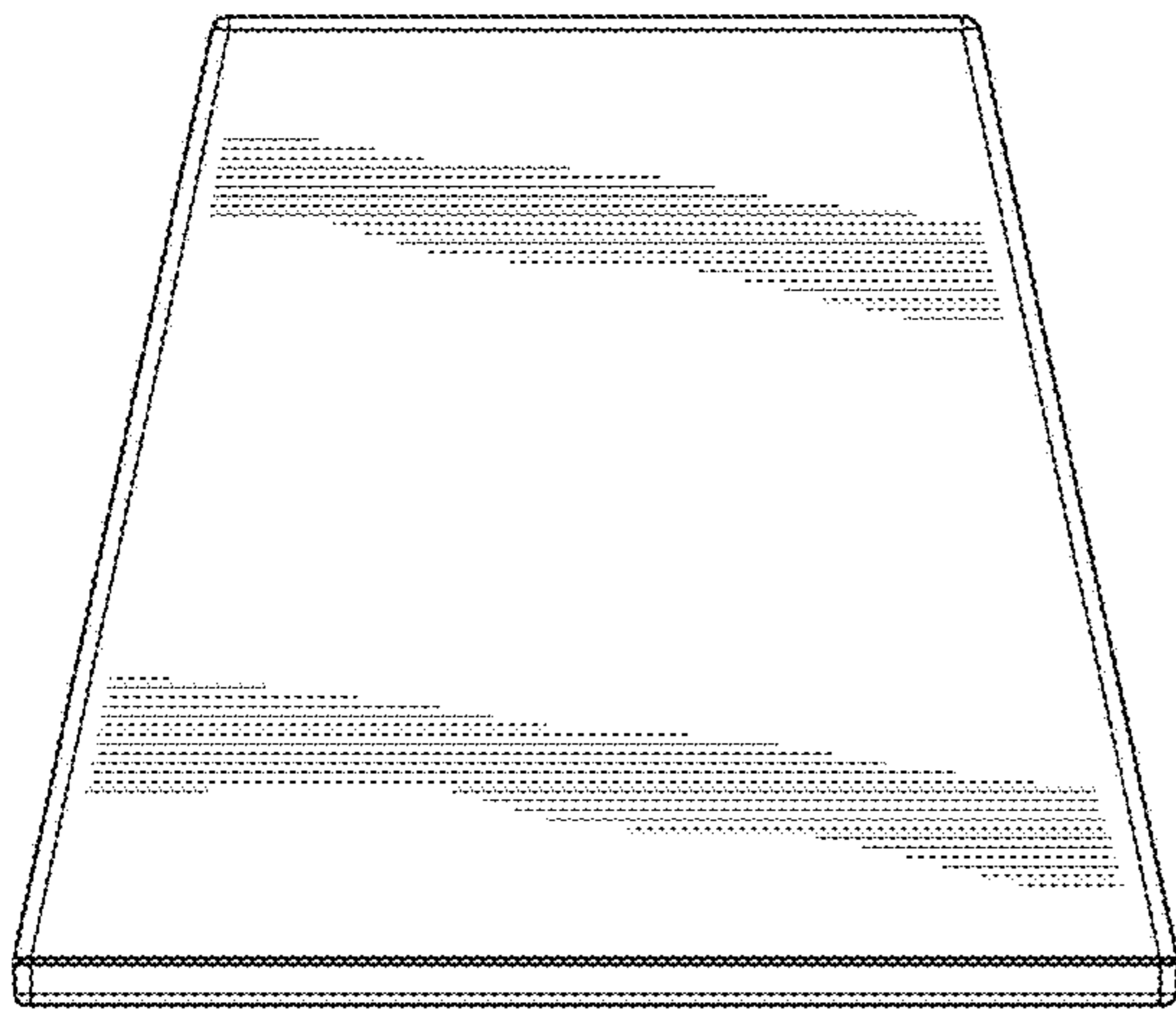


FIG. 12

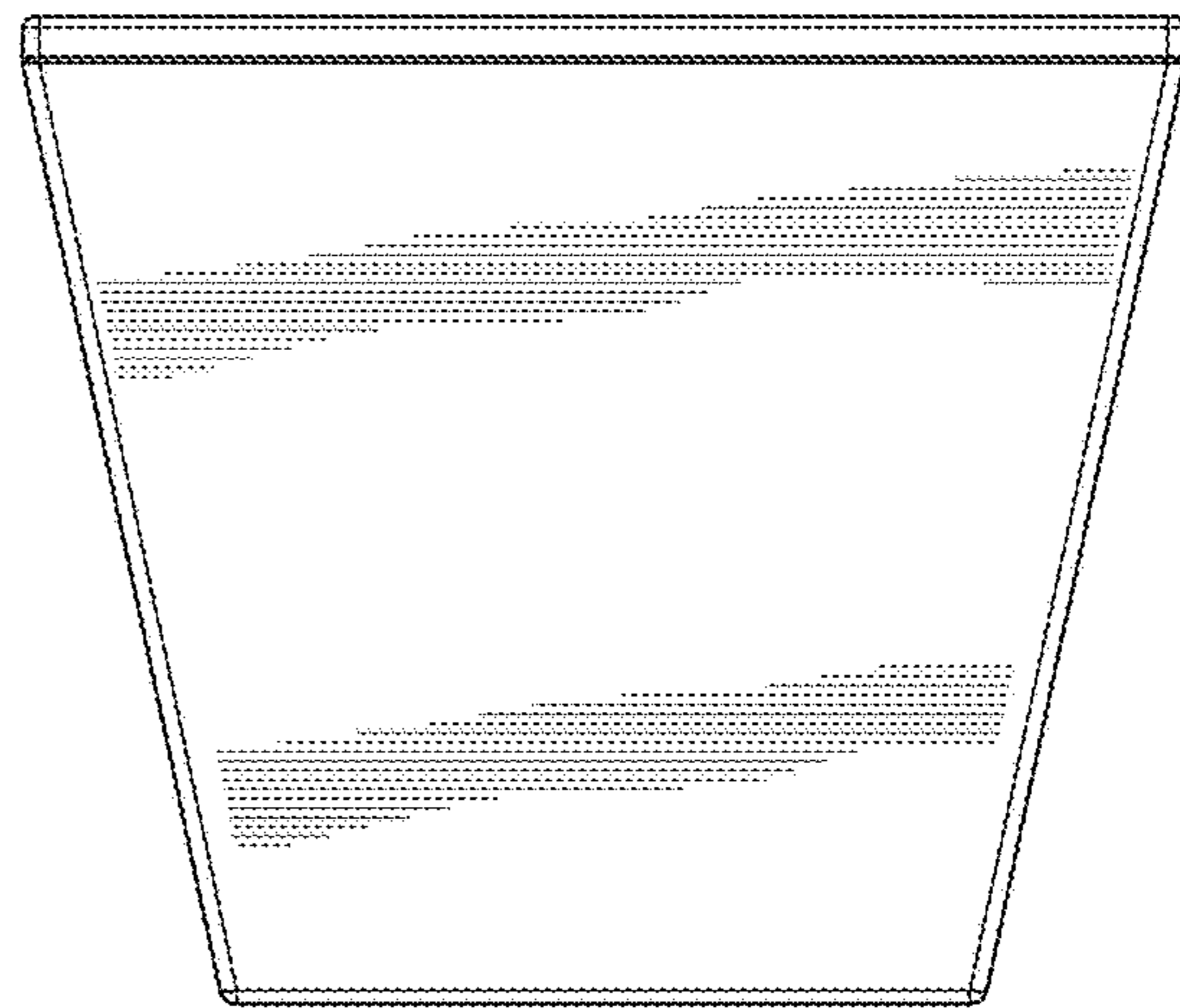


FIG. 13



FIG. 14

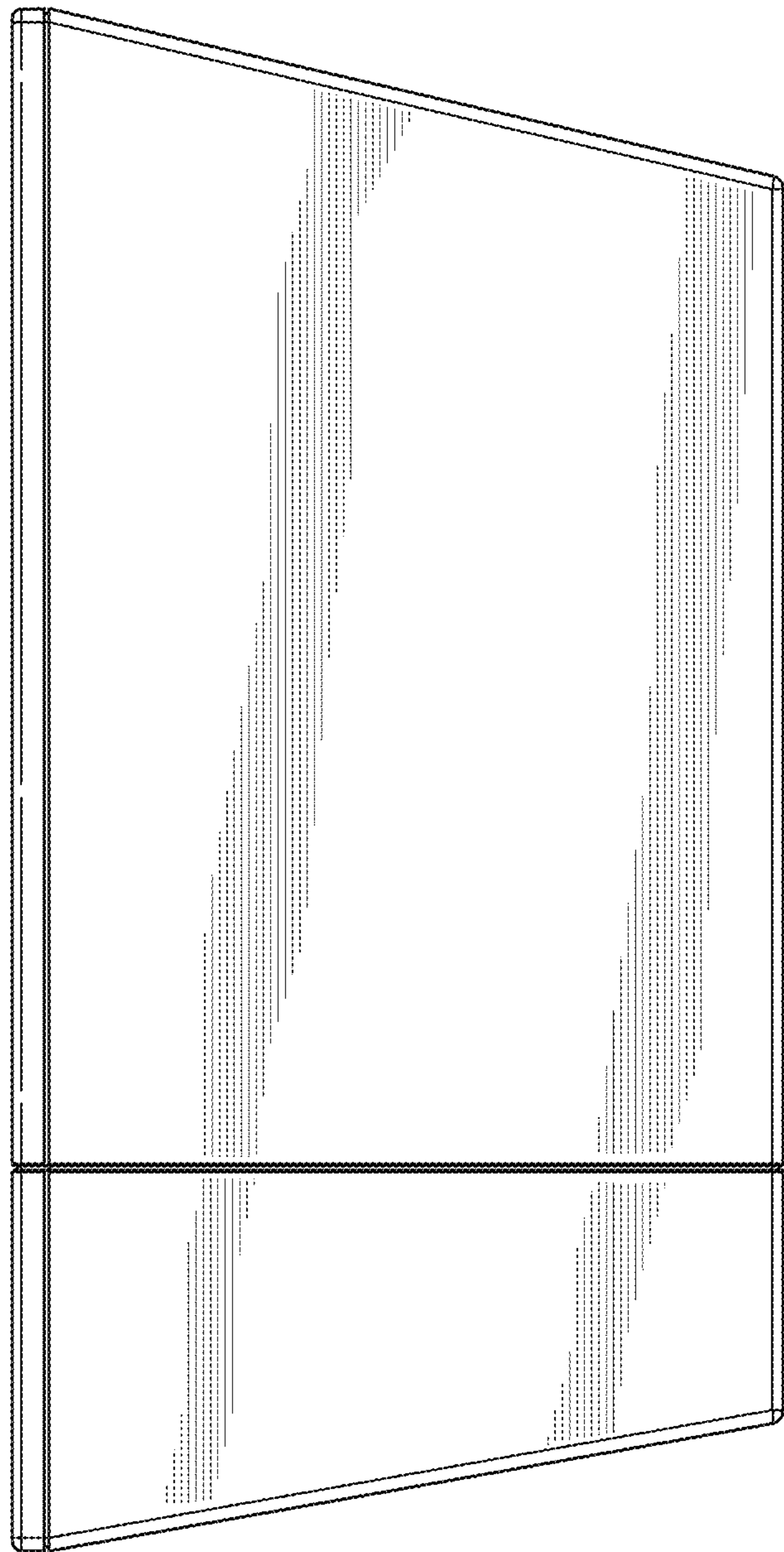


FIG. 15

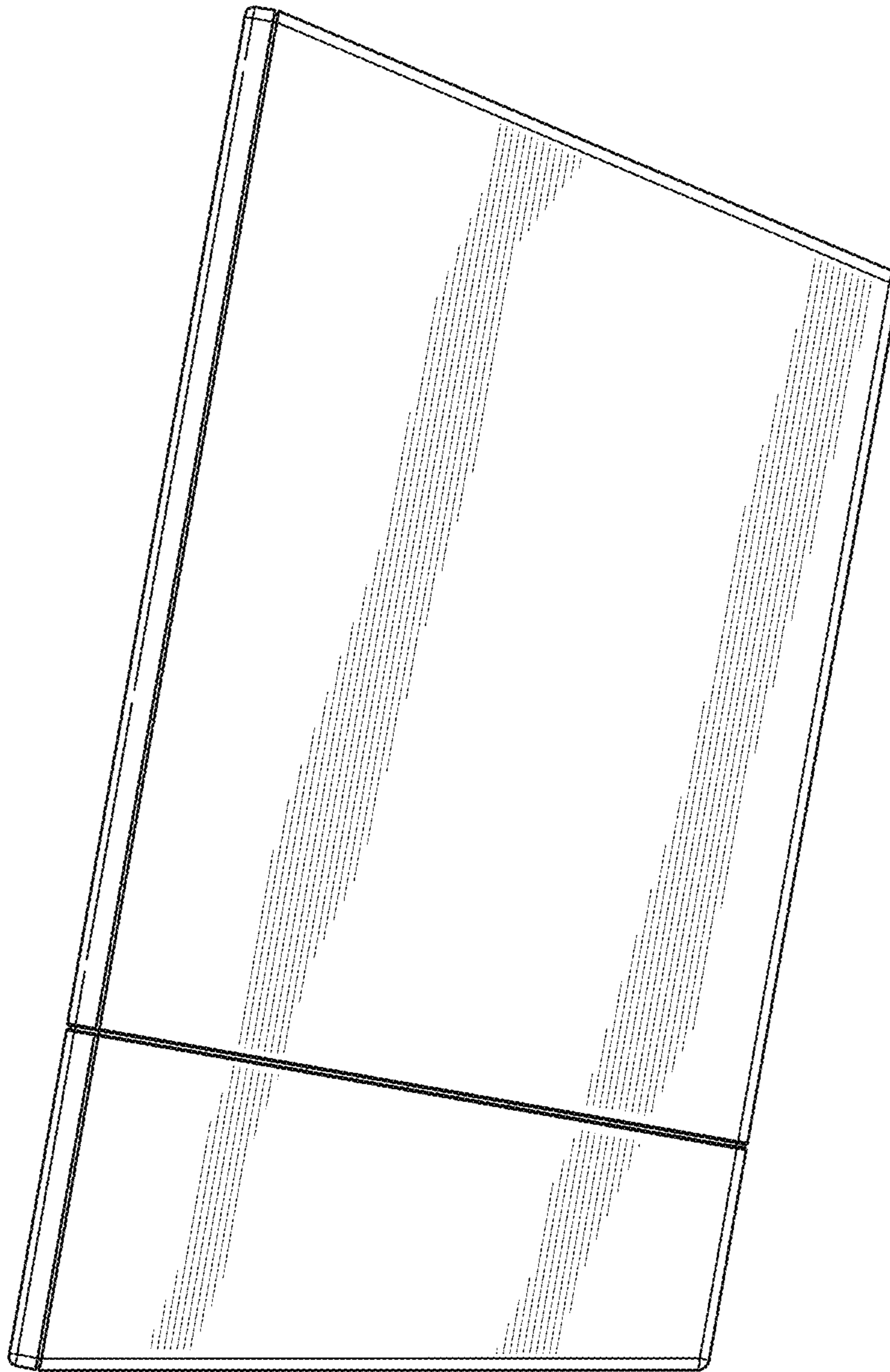


FIG. 16

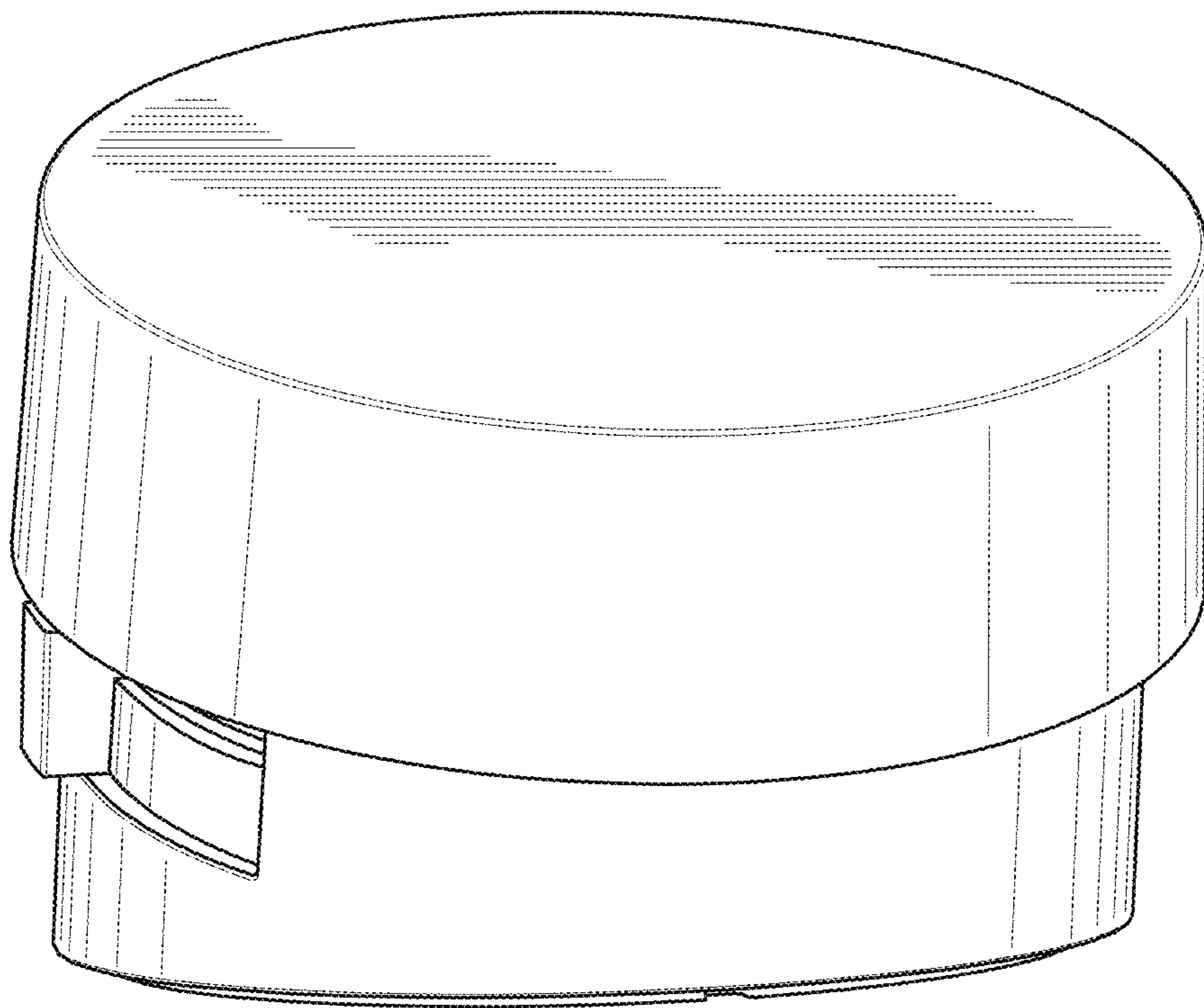


FIG. 17



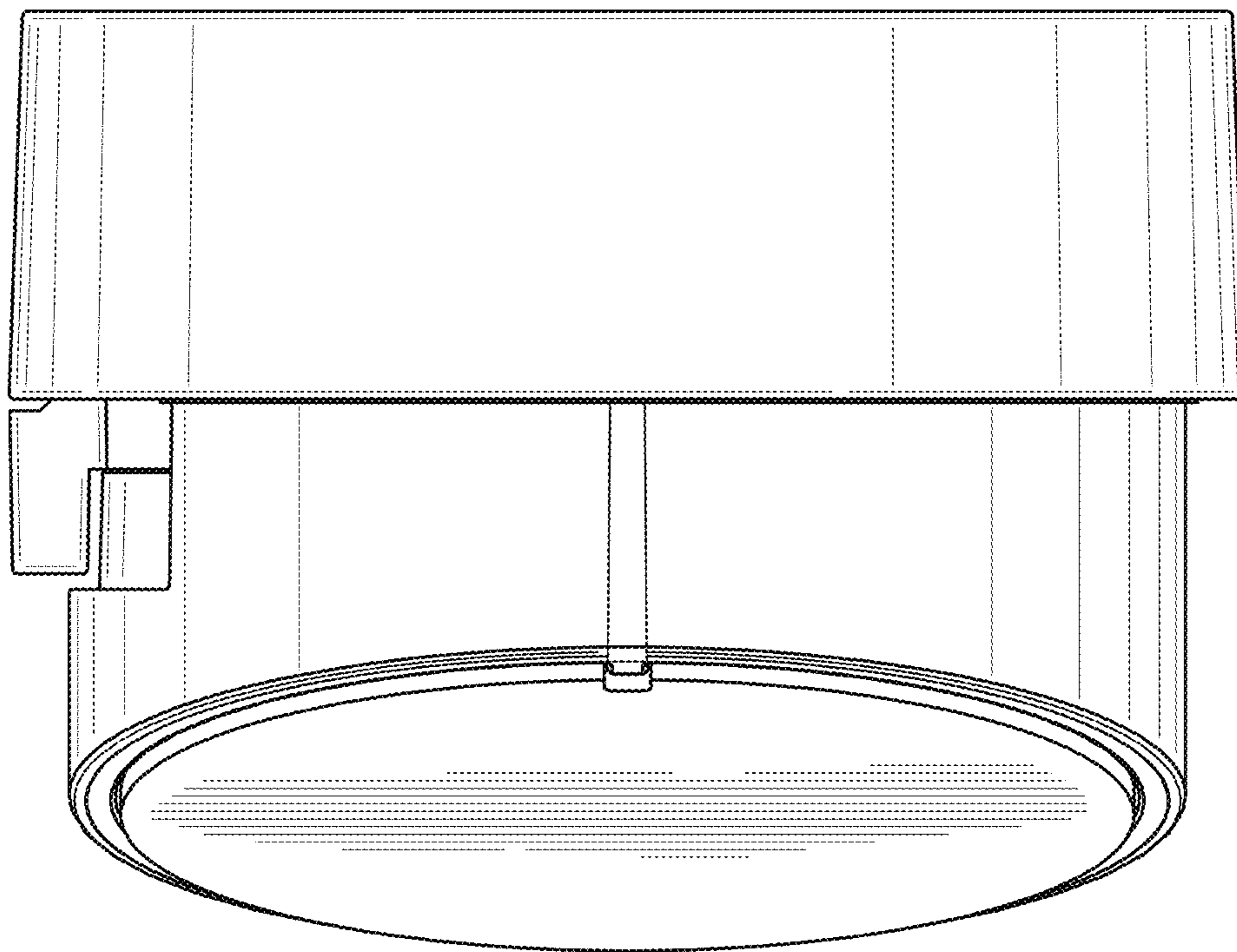


FIG. 18

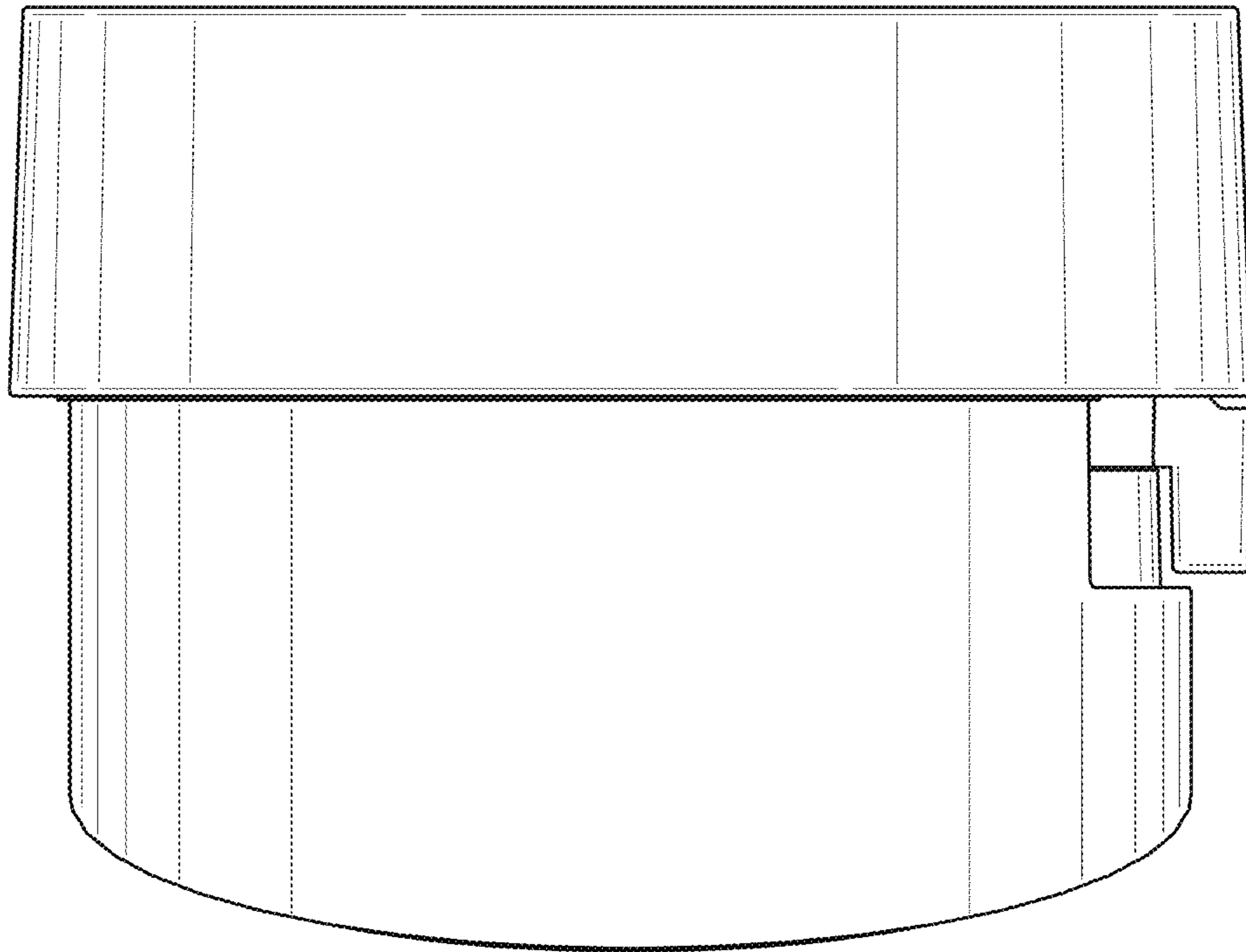


FIG. 19

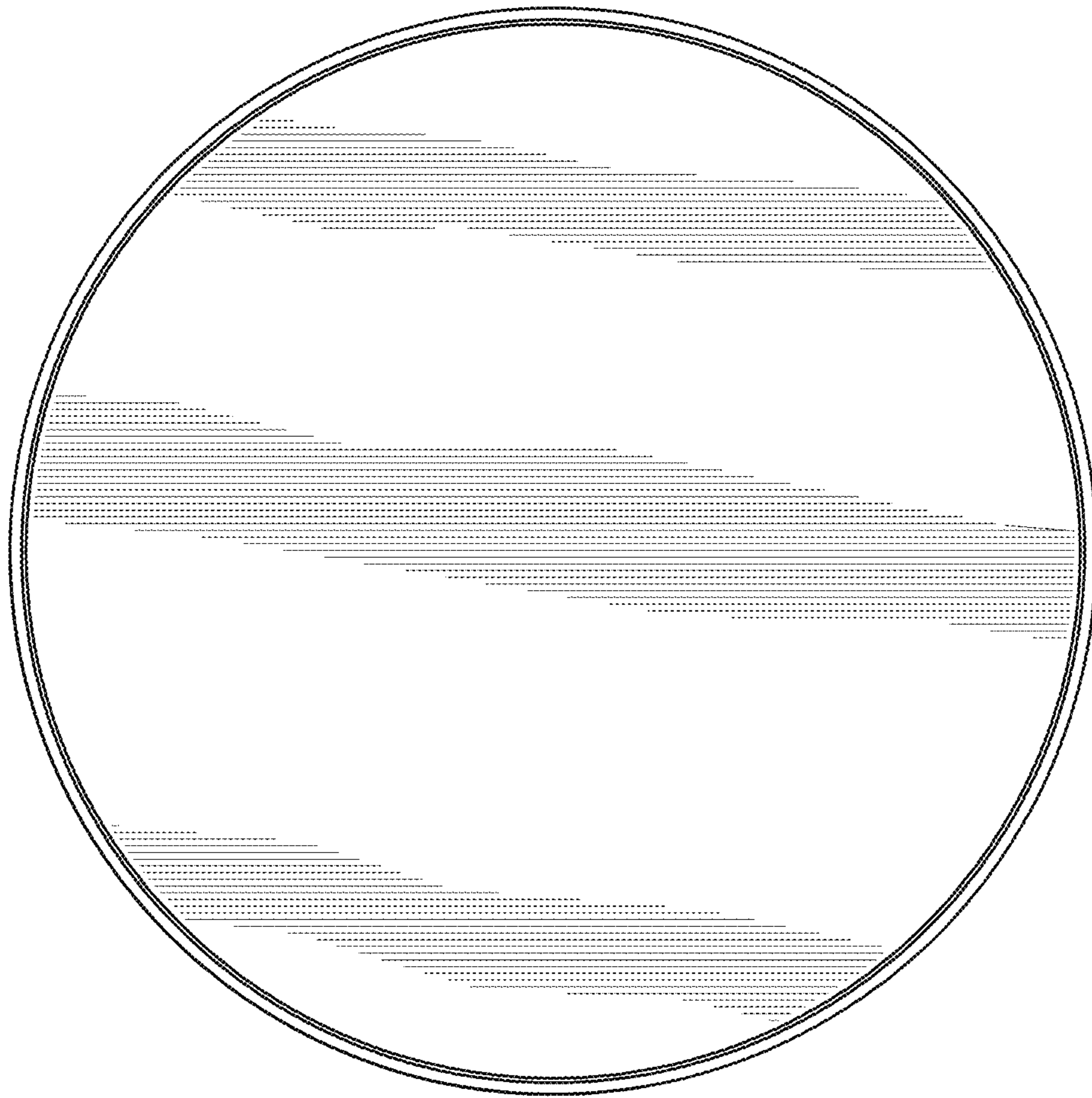


FIG. 20

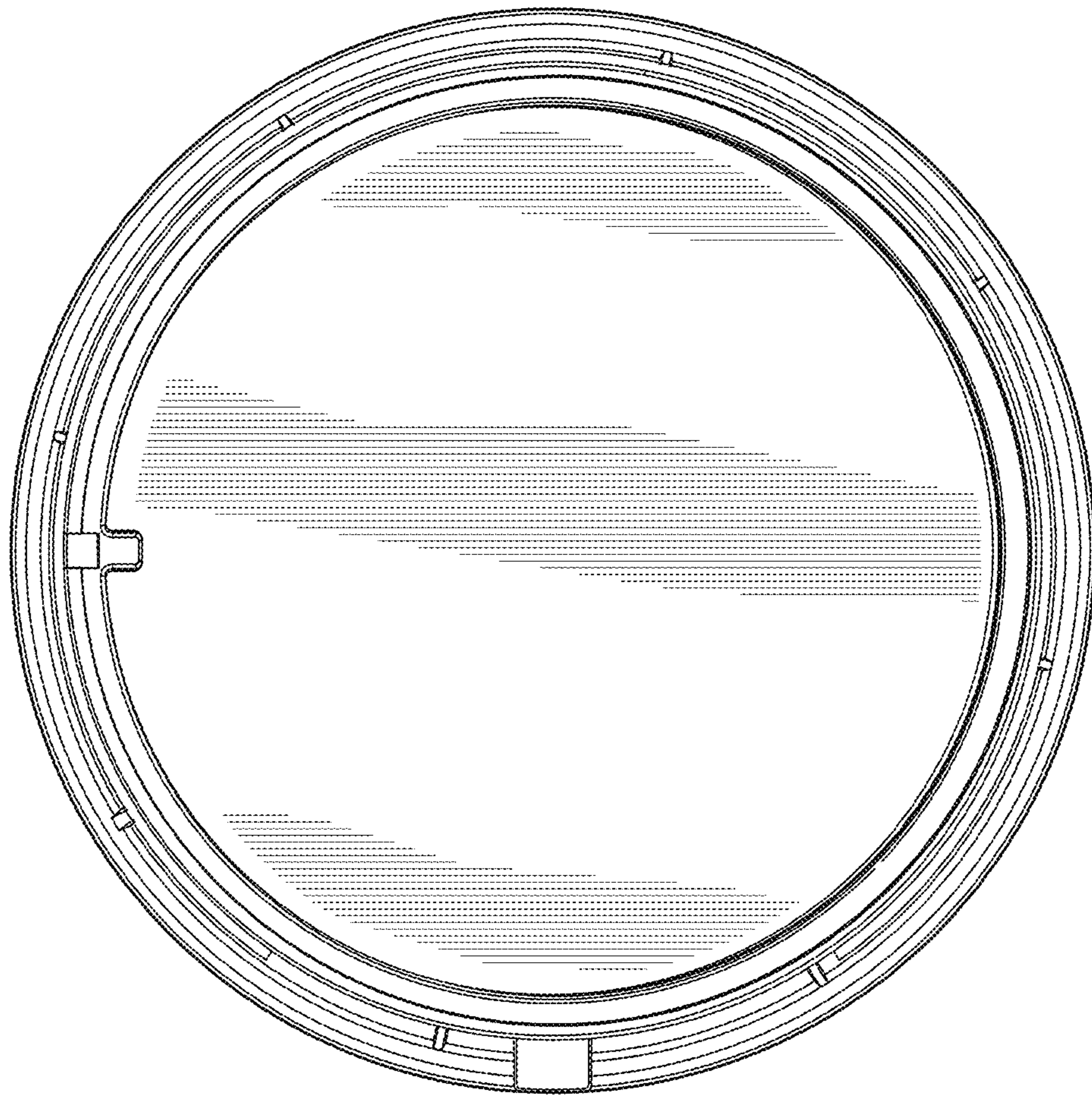


FIG. 21

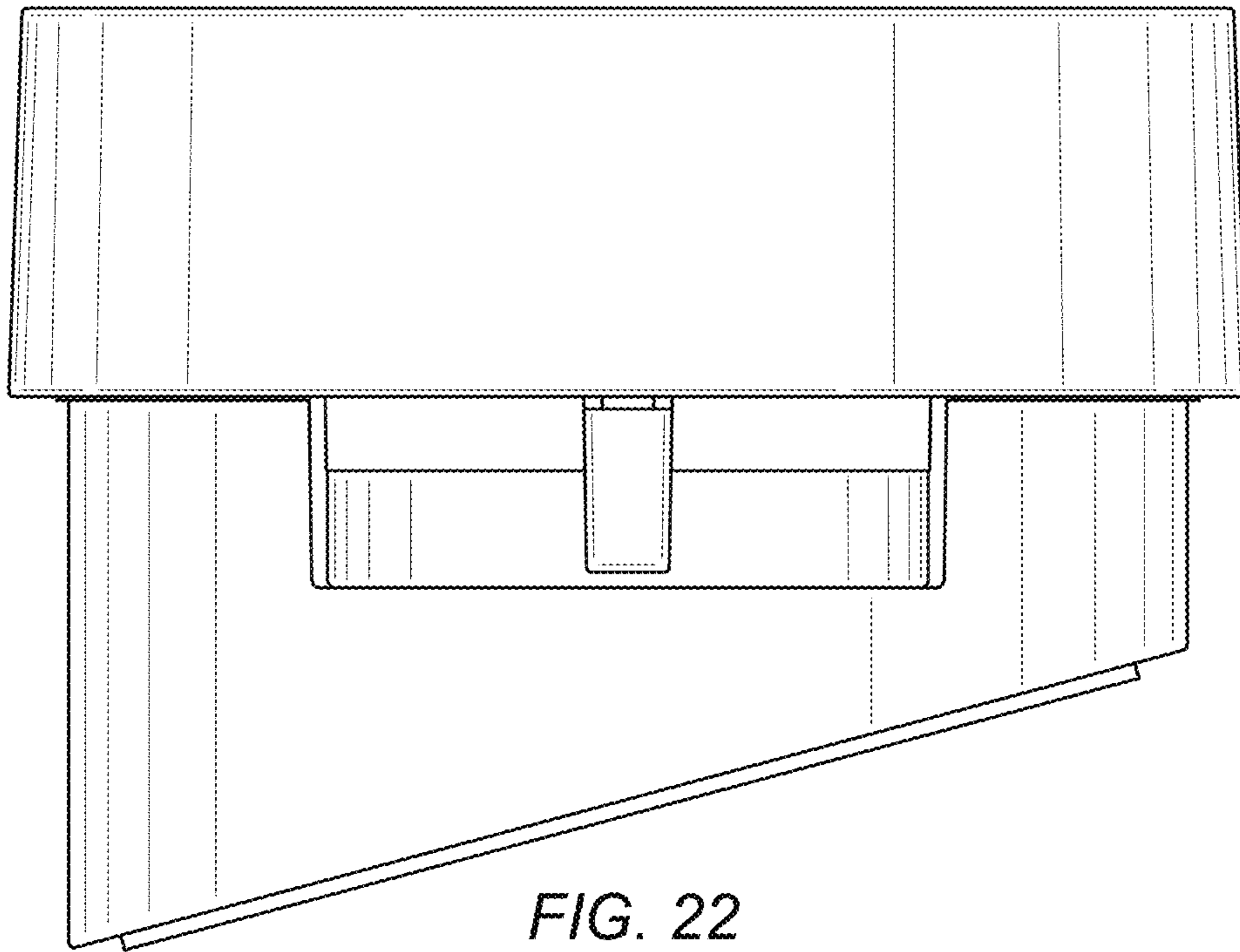


FIG. 22

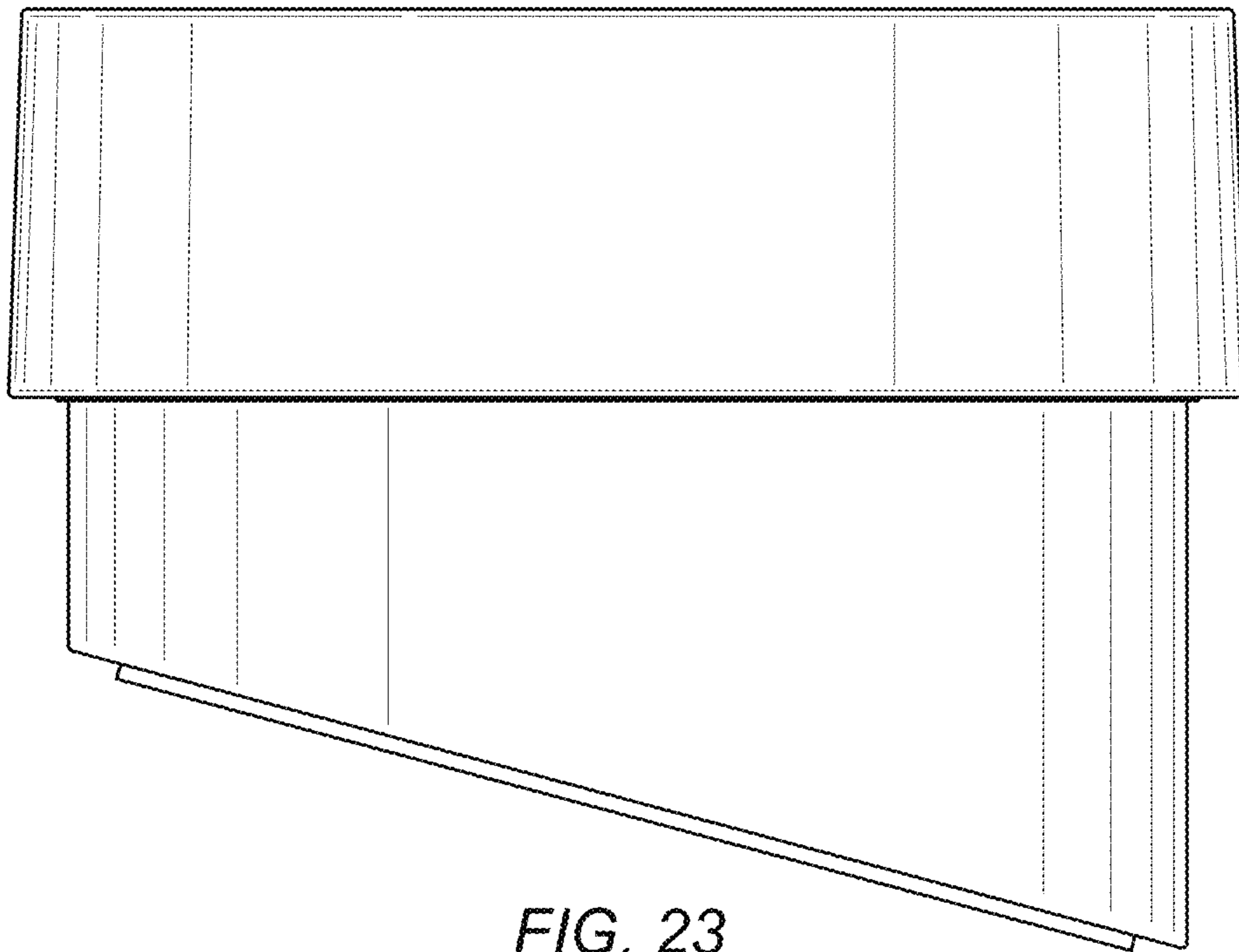


FIG. 23

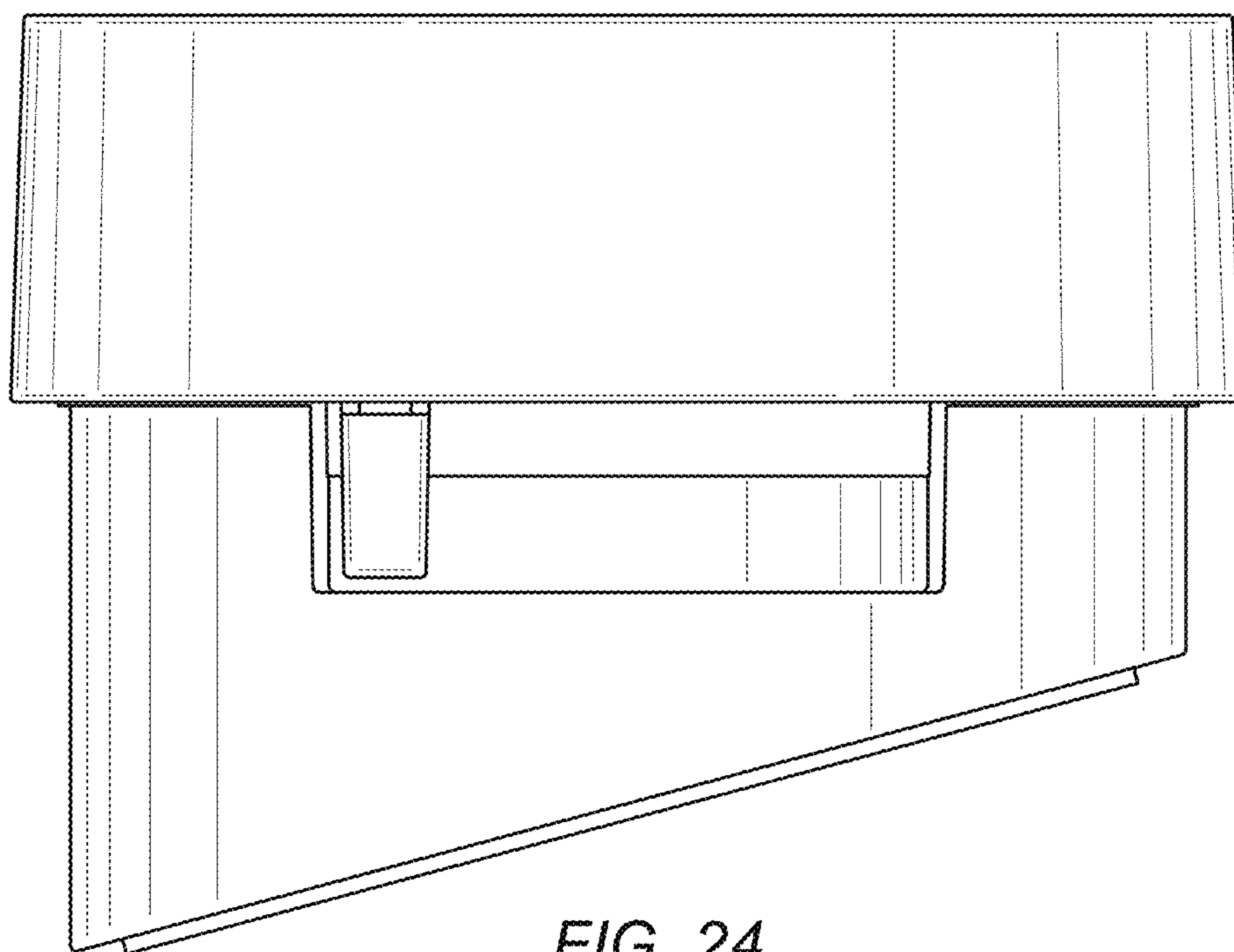


FIG. 24

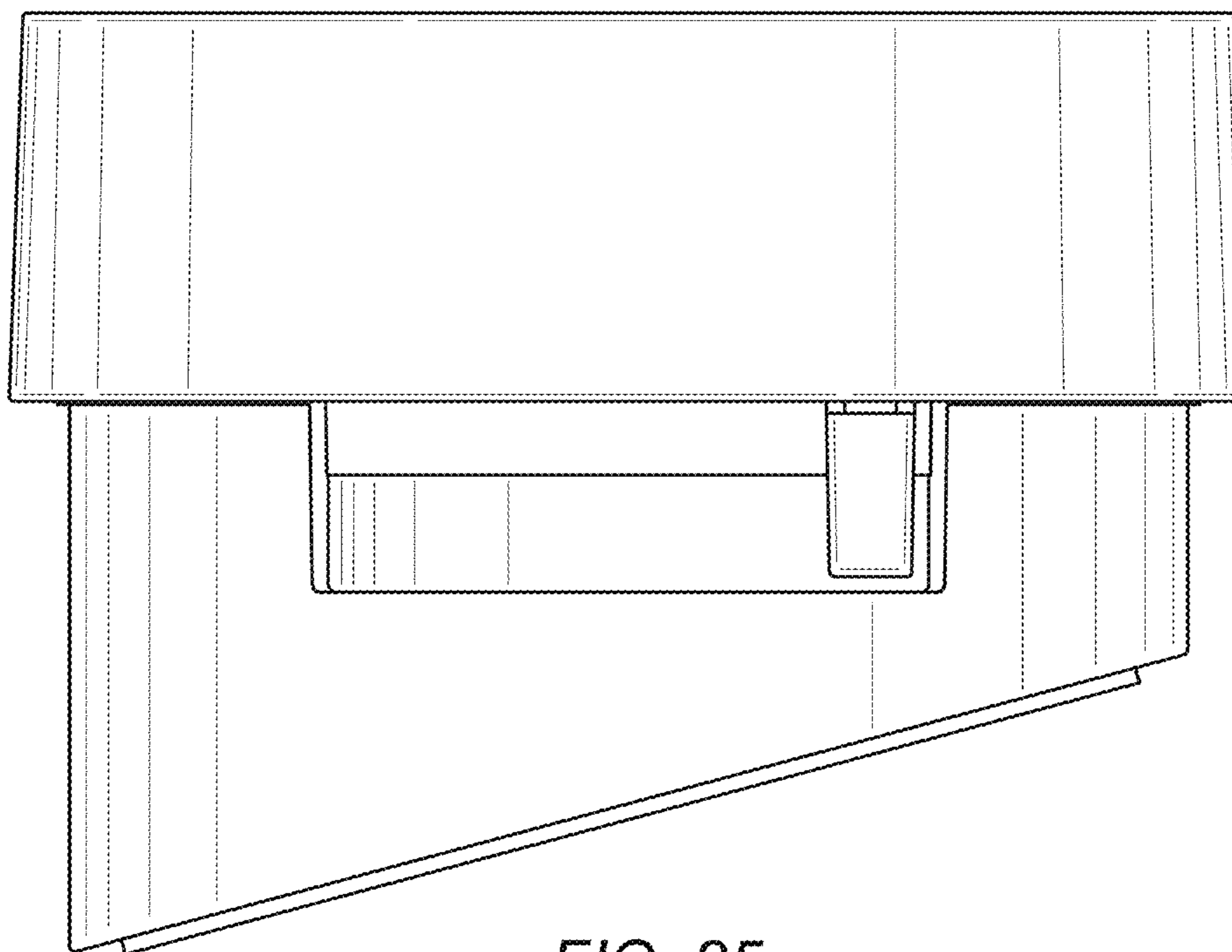


FIG. 25

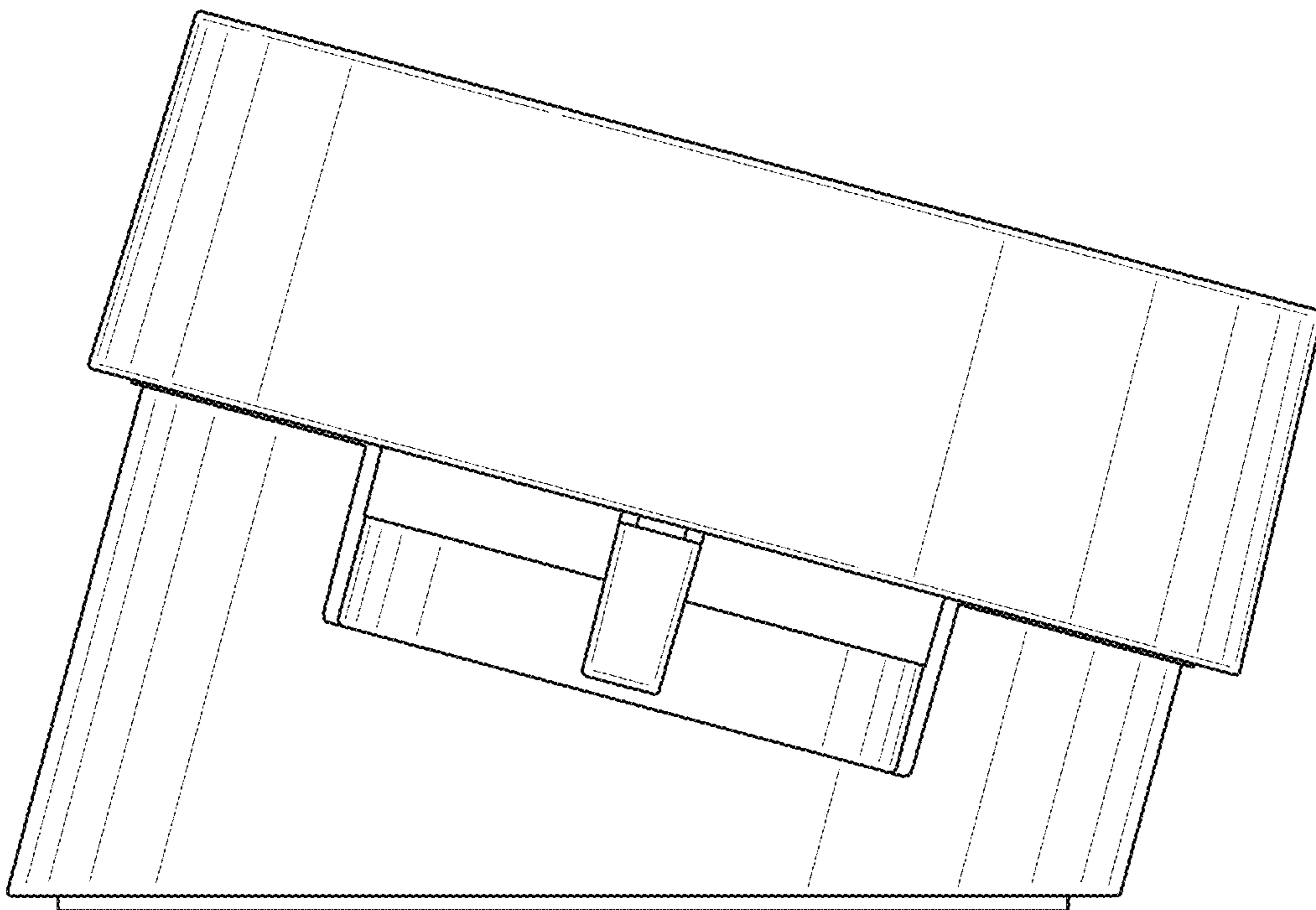


FIG. 26