



US00D777699S

(12) **United States Design Patent** (10) **Patent No.:** **US D777,699 S**
Yuan et al. (45) **Date of Patent:** **** Jan. 31, 2017**

(54) **MOBILE PHONE**

D687,800 S 8/2013 Lee
D692,872 S * 11/2013 Hofer D14/138 G
D693,325 S 11/2013 Lee
D696,221 S 12/2013 Lee et al.
(Continued)

(71) Applicant: **HUAWEI DEVICE CO., LTD.**,
Guangdong (CN)

(72) Inventors: **Ze Yuan**, Guangdong (CN); **Xin Li**,
Guangdong (CN); **Meng Li**, Guangdong
(CN); **Xiazhi Ge**, Guangdong (CN)

FOREIGN PATENT DOCUMENTS

AU 201313864 9/2013
CN 302350915 S 3/2013
(Continued)

(73) Assignee: **Huawei Device Co., LTD.** (CN)

(**) Term: **14 Years**

OTHER PUBLICATIONS

(21) Appl. No.: **29/506,246**

Plum Might, announced May 2012, [online], [retrieved on Nov. 28,
2012]. Retrieved from Internet ,<URL: <http://www.gsmarena.com>>.*

(22) Filed: **Oct. 14, 2014**

(Continued)

(30) **Foreign Application Priority Data**

Apr. 15, 2014 (CN) 2014 3 0089632

(51) **LOC (10) Cl.** **14-03**

(52) **U.S. Cl.**
USPC **D14/138 G**

(58) **Field of Classification Search**
USPC .. D14/138 G, 138 AD, 248, 138 R, 138 AC,
D14/247, 137, 341-347
CPC H04M 1/0202; H04M 1/0235; H04M 1/0237;
H04M 1/0239; H04M 1/0266; H04M
1/0268; H04M 1/027; H04M 1/0295
See application file for complete search history.

Primary Examiner — Bridget L Eland
(74) *Attorney, Agent, or Firm* — Design IP

(57) **CLAIM**

The ornamental design for a mobile phone, as shown and
described.

DESCRIPTION

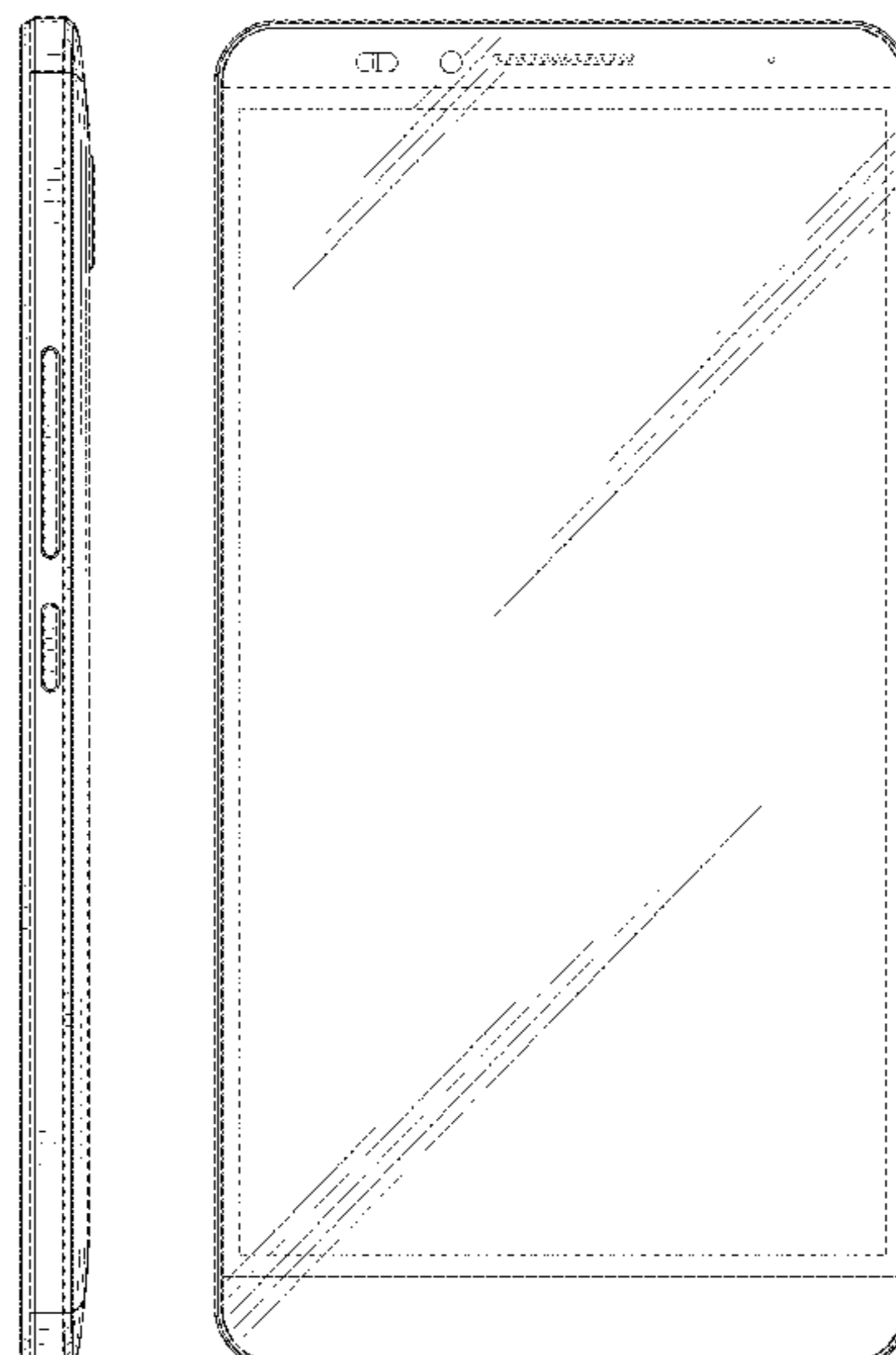
FIG. 1 is a bottom view of a mobile phone showing our new
design;
FIG. 2 is a top view thereof;
FIG. 3 is a right side view thereof;
FIG. 4 is a front view thereof;
FIG. 5 is a left side view thereof;
FIG. 6 is a rear view thereof; and,
FIG. 7 is a front perspective view thereof.
The broken lines immediately adjacent the shaded areas
represent the bounds of the claimed design while all other
broken lines are directed to environment and are for illus-
trative purposes only; the broken lines form no part of the
claimed design.

(56) **References Cited**

U.S. PATENT DOCUMENTS

D583,346 S * 12/2008 Jung D14/138 AD
D622,692 S * 8/2010 McWilliam D14/138 G
D645,441 S * 9/2011 Choe D14/138 G
D657,331 S * 4/2012 Jung D14/138 G
D668,628 S 10/2012 Ha et al.
D676,819 S 2/2013 Choi
D680,995 S * 4/2013 Lee D14/138 G
D683,711 S * 6/2013 Hofer D14/138 G
D683,713 S * 6/2013 Hofer D14/138 G

1 Claim, 7 Drawing Sheets



(56)

References Cited

U.S. PATENT DOCUMENTS

| | | | | |
|--------------|------|---------|-----------------|--------------------------|
| D697,889 | S | 1/2014 | Ahn et al. | |
| D700,161 | S * | 2/2014 | Yoshihara | D14/138 G |
| D700,589 | S | 3/2014 | Yoo et al. | |
| D701,848 | S | 4/2014 | Im | |
| D702,204 | S | 4/2014 | Oh et al. | |
| D702,205 | S | 4/2014 | Joung et al. | |
| D706,237 | S * | 6/2014 | Kim | D14/138 G |
| D706,238 | S * | 6/2014 | Kim | D14/138 G |
| D706,736 | S * | 6/2014 | Kim | D14/138 G |
| D706,737 | S * | 6/2014 | Kim | D14/138 G |
| D706,738 | S * | 6/2014 | Kim | D14/138 G |
| D715,246 | S * | 10/2014 | Oh | D14/138 G |
| D717,262 | S * | 11/2014 | Phillips | D14/138 G |
| D718,267 | S * | 11/2014 | Hu | D14/138 G |
| D721,347 | S * | 1/2015 | Lee | D14/138 G |
| D726,673 | S * | 4/2015 | Lee | D14/138 G |
| D729,757 | S * | 5/2015 | Lee | D14/138 G |
| D732,498 | S * | 6/2015 | Huang | D14/138 G |
| D733,087 | S * | 6/2015 | Park | D14/138 G |
| D744,450 | S * | 12/2015 | Kim | D14/138 G |
| D750,620 | S * | 3/2016 | Zhai | D14/203.7 |
| 2009/0291678 | A1 * | 11/2009 | Lee | H04M 1/274558 455/418 |
| 2011/0195752 | A1 * | 8/2011 | Siddiqui | G06F 1/1622 455/566 |

FOREIGN PATENT DOCUMENTS

| | | | |
|----|---------------|---|---------|
| CN | 302476338 | S | 6/2013 |
| CN | 302526889 | S | 8/2013 |
| CN | 302543039 | S | 8/2013 |
| CN | 302650622 | S | 11/2013 |
| CN | 302687668 | S | 12/2013 |
| CN | 302721111 | S | 1/2014 |
| CN | 302748612 | S | 2/2014 |
| CN | 302772721 | S | 3/2014 |
| DM | 082463 | | 6/2013 |
| EM | 0021849940005 | | 2/2013 |
| JP | 1481354 | S | 10/2013 |
| JP | 1486360 | S | 12/2013 |
| JP | 1494335 | S | 4/2014 |
| KR | 300655224 | | 8/2012 |
| KR | 3020130035055 | | 3/2014 |

OTHER PUBLICATIONS

Pantech Vega R3 IM-A850L, announced Oct. 2012, [online], [retrieved on Nov. 28, 2012]. Retrieved from Internet ,<URL: <http://www.gsmarena.com>>.*

LG KF700, announced Feb. 2008, [online], [retrieved on Mar. 21, 2008 & May 14, 2008]. Retrieved from Internet ,<URL: <http://www.gsmarena.com>>.*

LG Optimus 3D P920, announced Jan. 2011, [online], [retrieved on Feb. 17, 2011]. Retrieved from Internet ,<URL: <http://www.gsmarena.com>>.*

BlackBerry Z10, announced Jan. 2013, [online], [retrieved on Mar. 4, 2013]. Retrieved from Internet ,<URL: <http://www.gsmarena.com>>.*

HTC One, announced Feb. 2013, [online], [retrieved on Mar. 4, 2013]. Retrieved from Internet ,<URL: <http://www.gsmarena.com>>.*

BLU Studio 5.5. [online]. BLU Studio 5.5 D610a Unlocked Dual SIM GSM Phone (White), [retrieved on Feb. 13, 2016] Retrieved from the Internet: <<http://www.amazon.com/BLU-Studio-D610a-Unlocked-Phone/dp/B00FY3QTUS>>.

Gionee T1. [online]. Gionee T1 Features and Specifications, [retrieved on Feb. 13, 2016] Retrieved from the Internet: <<http://www.dspecc.com/specs/Gionee-T1-Features-and-Specifications.html>>.

HTC 7 Trophy and HD7. [online]. HTC 7 Trophy and HD7 Announce Themselves Online, [retrieved on Feb. 13, 2016] Retrieved from the Internet: <<http://thenextweb.com/mobile/2010/09/22/htc-7-trophy-and-hd7-announce-themselves-online/#gref>>.

HTC One (M8). [online]. HTC One (M8) CDMA Sprint, [retrieved on Feb. 13, 2016] Retrieved from the Internet: <<http://www.phonegg.com/phone/4114-HTC-One-%28M8%29-CDMA-Sprint>>.

Huawei Ascend P6. [online]. Huawei Ascend P6 review: Zen droid slim, [retrieved on Feb. 13, 2016] Retrieved from the Internet: <http://www.gsmarena.com/huawei_ascend_p6-review-967.php>.

Jiayu JY-G3. [online]. Jiayu JY-G3 Phone official photos gallery, [retrieved on Feb. 13, 2016] Retrieved from the Internet: <<http://www.phonemore.com/photos/jiayu-jy-g3/665>>.

LG G Pro 2. [online]. LG G Pro 2 Pictures, [retrieved on Feb. 13, 2016] Retrieved from the Internet: <http://www.phonearena.com/phones/LG-G-Pro-2_id8348/photos?image=45393>.

LG G2. [online]. LG G2 Pictures, Retrieved from the Internet: <http://www.gsmarena.com/lg_g2-pictures-5543.php>.

LG Nexus 5. [online]. LG Nexus 5 Pictures, [retrieved on Feb. 13, 2016] Retrieved from the Internet: <http://www.gsmarena.com/lg_nexus_5-pictures-5705.php>.

LG Optimus G Pro. [online]. LG Optimus G Pro E985 Pictures, [retrieved on Feb. 13, 2016] Retrieved from the Internet: <http://www.gsmarena.com/lg_optimus_g_pro_e985-pictures-5254.php>.

LG Optimus L9 P760. [online]. LG Optimus L9 P760 Full Phone Specifications, [retrieved on Feb. 13, 2016] Retrieved from the Internet: <http://www.gsmarena.com/lg_optimus_l9_p760-4955.php>.

LG's Flex Phone. [online]. LG's Flex Phone Actually Heals Itself, [retrieved on Feb. 13, 2016] Retrieved from the Internet: <<http://venturebeat.com/2013/11/20/lgs-flex-phone-actually-heals-itself-after-a-key-and-knife-assault/>>.

Micromax. [online].Micromax Unveils Canvas Doodle 2 A240 With 5.7-inch HD Screen & Full Aluminum Body, [retrieved on Feb. 13, 2016] Retrieved from the Internet: <<http://www.gizmodo.in/indiamodo/Micromax-Unveils-Canvas-Doodle-2-A240-With-5-7-inch-HD-screen-for-19990/articleshow/22134622.cms>>.

Samsung Galaxy Tab. [online]. Samsung Galaxy Tab 3.7.0 Pictures, Retrieved from the Internet: <http://www.gsmarena.com/samsung_galaxy_tab_3_7_0-pictures-5422.php>.

Vivo Xplay 3S. [online]. Vivo Xplay 3S Specs and Price, [retrieved on Feb. 13, 2016] Retrieved from the Internet: <<http://www.phonegg.com/phone/4658-Vivo-Xplay-3S>>.

ZTE Sonata 4G. [online]. ZTE Sonata 4G Pictures, [retrieved on Feb. 13, 2016] Retrieved from the Internet: <http://www.gsmarena.com/zte_sonata_4g-pictures-5963.php>.

* cited by examiner

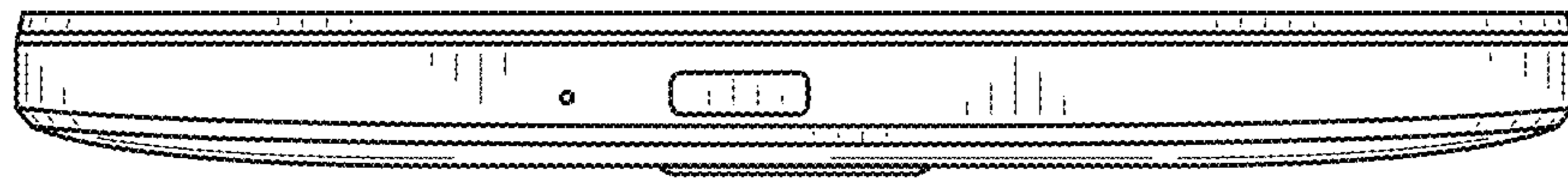


FIG. 1



FIG. 2

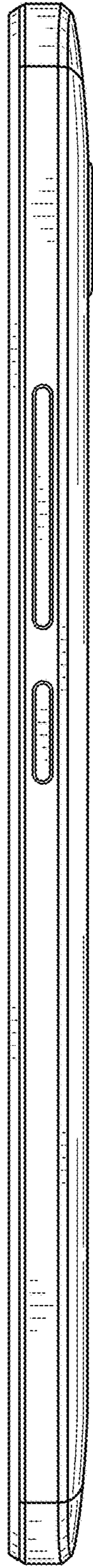


FIG. 3

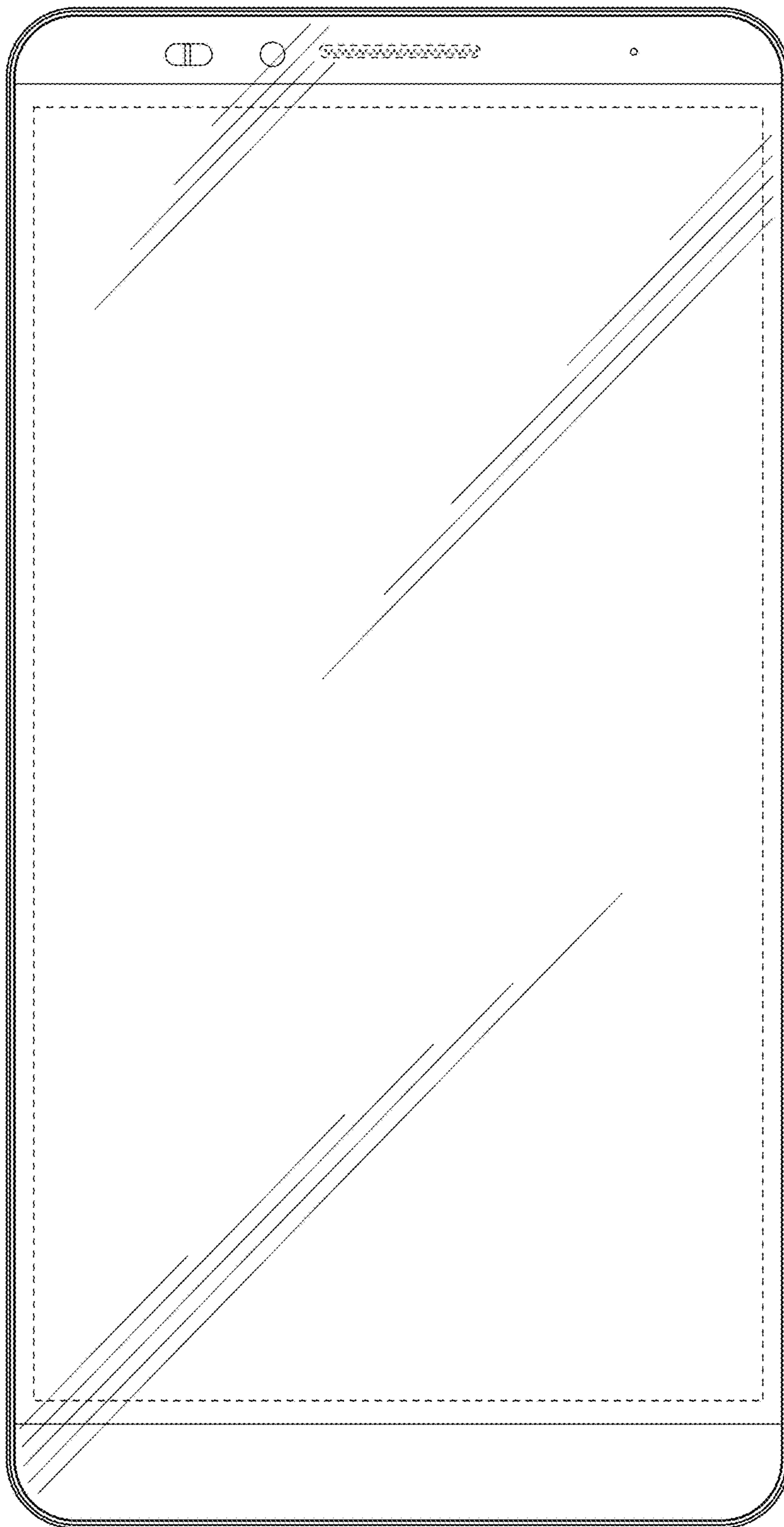


FIG. 4

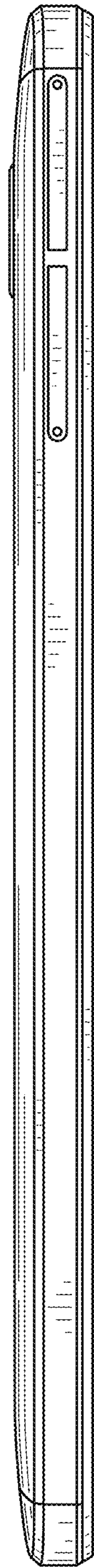


FIG. 5

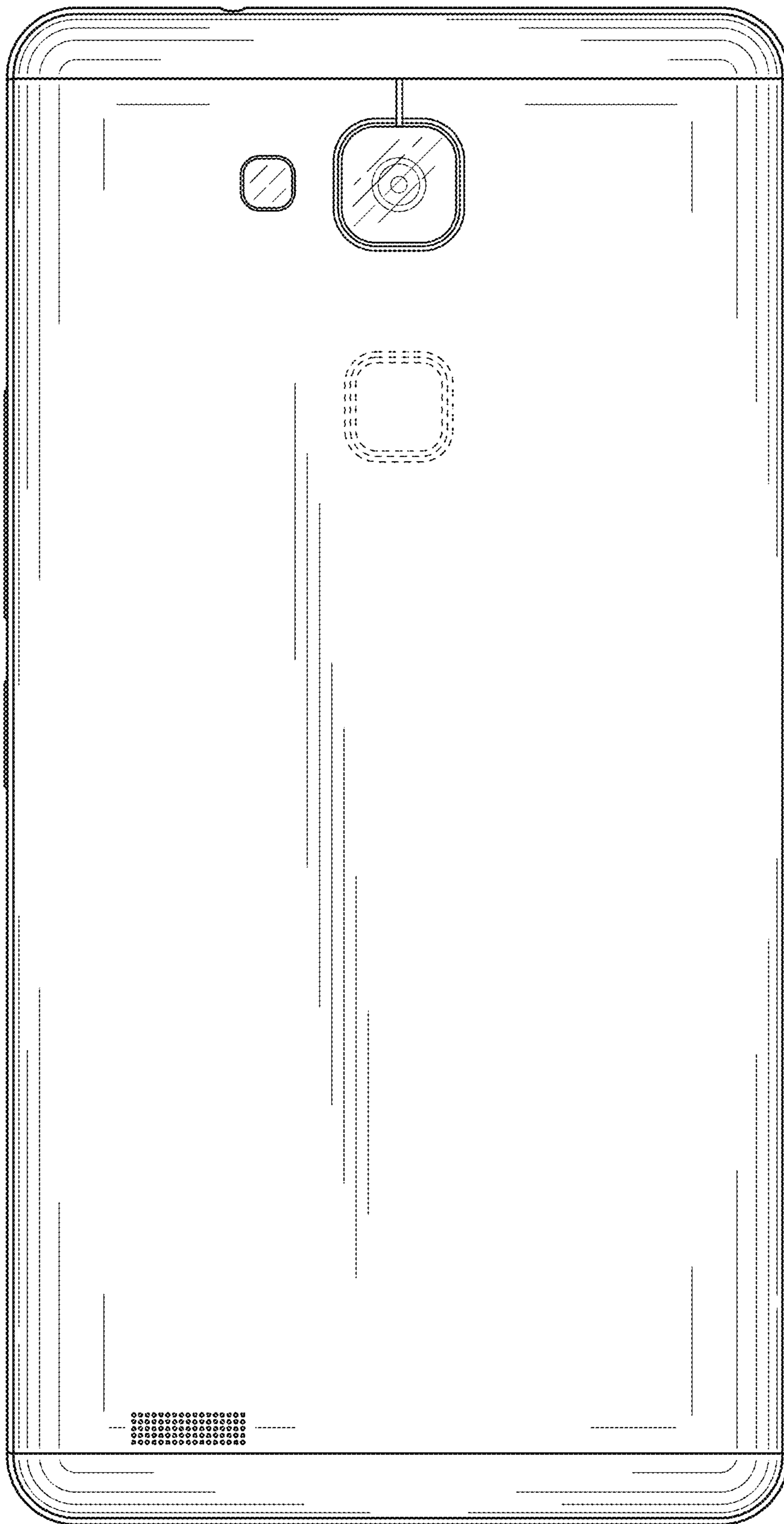


FIG. 6

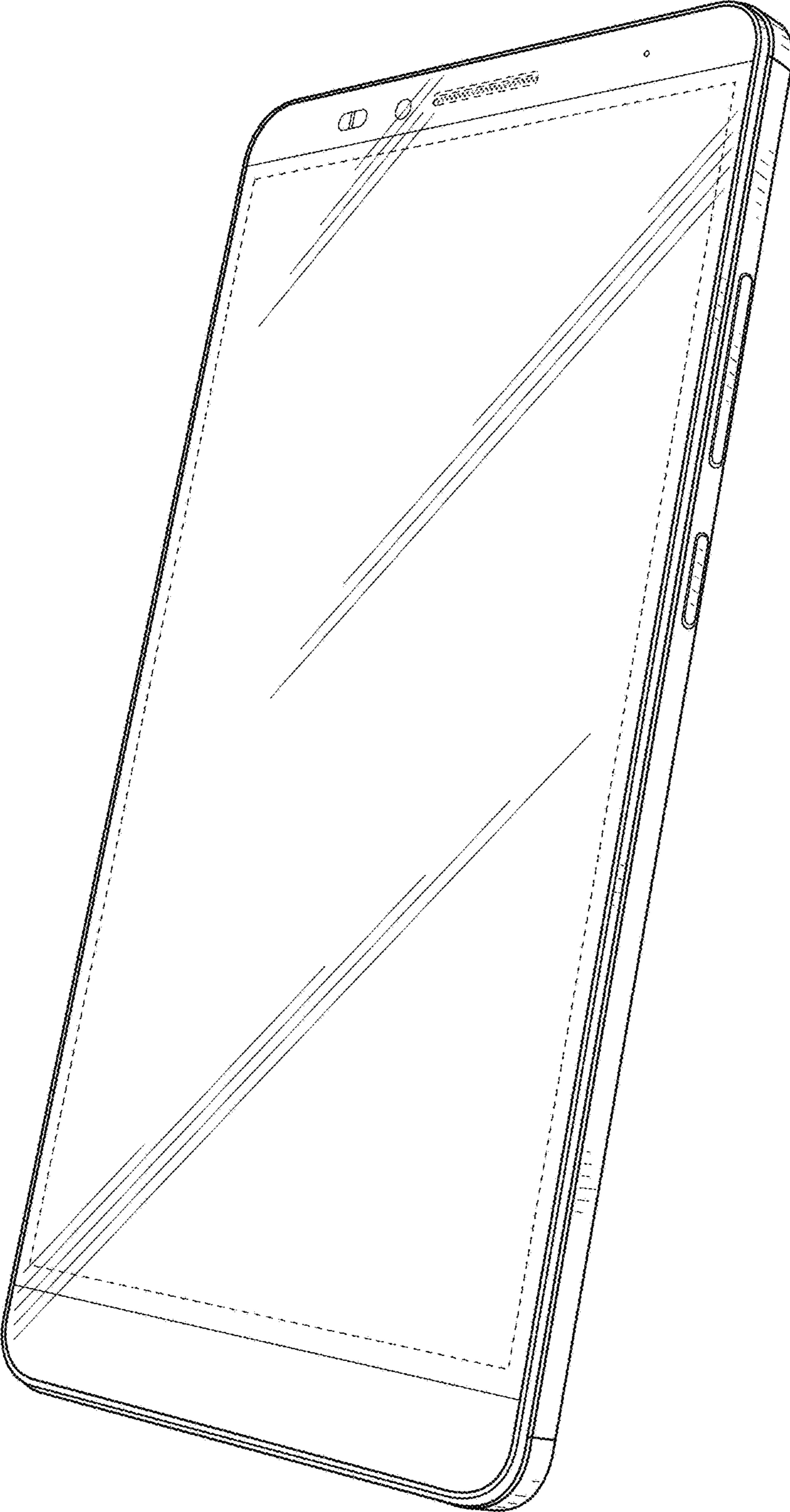


FIG. 7