



US00D777696S

(12) **United States Design Patent**
Nichols et al.

(10) **Patent No.:** **US D777,696 S**
(45) **Date of Patent:** **** Jan. 31, 2017**

(54) **SET TOP ENCLOSURE**

(71) Applicant: **TiVo Inc.**, Alviso, CA (US)

(72) Inventors: **Eric Nichols**, Alviso, CA (US); **Kelly Kodama**, Alviso, CA (US); **Jesse Patterson**, Alviso, CA (US)

(73) Assignee: **TiVo Inc.**, San Jose, CA (US)

(**) Term: **15 Years**

(21) Appl. No.: **29/541,580**

(22) Filed: **Oct. 6, 2015**

(51) **LOC (10) Cl.** **14-03**

(52) **U.S. Cl.**
USPC **D14/125**

(58) **Field of Classification Search**
USPC D14/125, 357-358, 496, 188, 242, 432;
D13/184; 348/10, 460, 706, 731;
340/825.03; 455/6.1, 6.2; 312/223.1, 7.2
CPC H04N 21/00; H04N 21/20; H04N 21/40
See application file for complete search history.

(56) **References Cited**

U.S. PATENT DOCUMENTS

D492,697 S * 7/2004 Tsai D14/203.7
D509,834 S * 9/2005 Kataoka D14/203.7

D644,192 S * 8/2011 McManigal D14/125
D665,424 S * 8/2012 Ledbetter D14/203.3
D705,782 S * 5/2014 McParland D14/435

* cited by examiner

Primary Examiner — Randall Gholson

(74) *Attorney, Agent, or Firm* — Wong & Rees LLP; Kirk D. Wong

(57) **CLAIM**

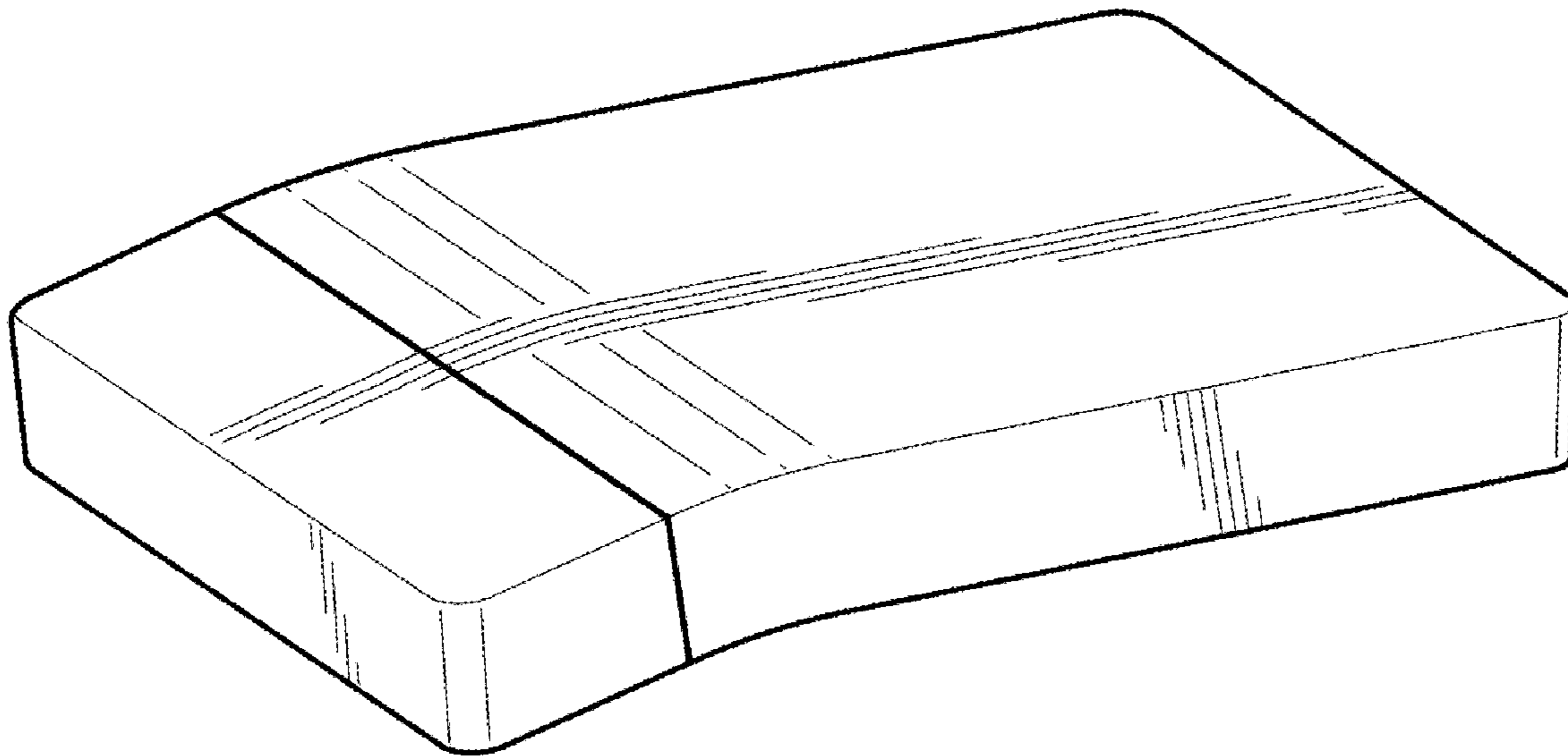
The ornamental design for a set top enclosure, as shown and described.

DESCRIPTION

FIG. 1 is a front left side perspective view of a set top enclosure showing our new design;
FIG. 2 is a rear left side perspective view thereof;
FIG. 3 is a front view thereof;
FIG. 4 is a top view thereof;
FIG. 5 is a left side view thereof;
FIG. 6 is a right side view thereof;
FIG. 7 is a rear view thereof; and,
FIG. 8 is a bottom view thereof.

The broken lines depict portions of the set top enclosure that form no part of the claimed design.

1 Claim, 4 Drawing Sheets



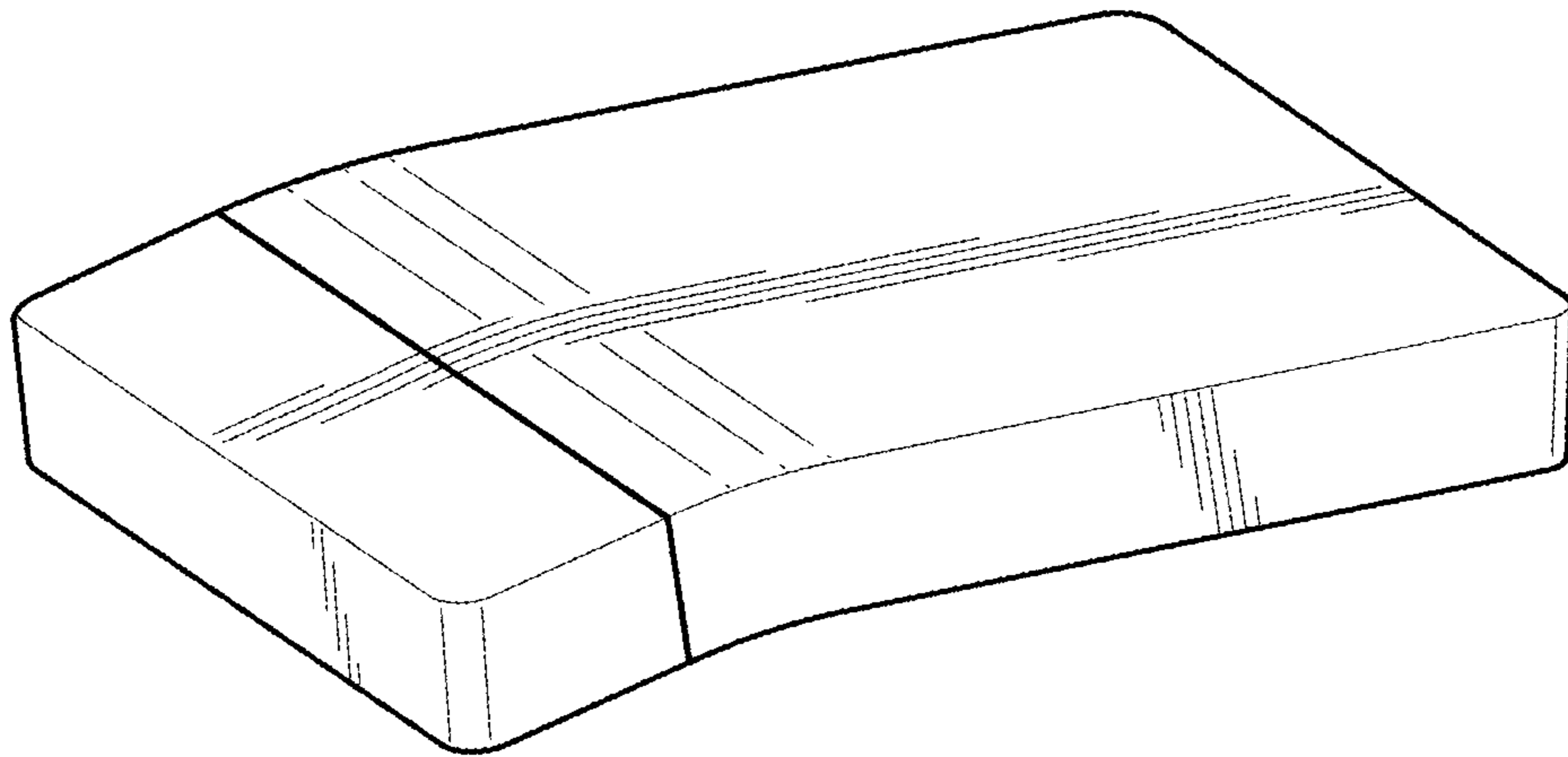


FIG. 1

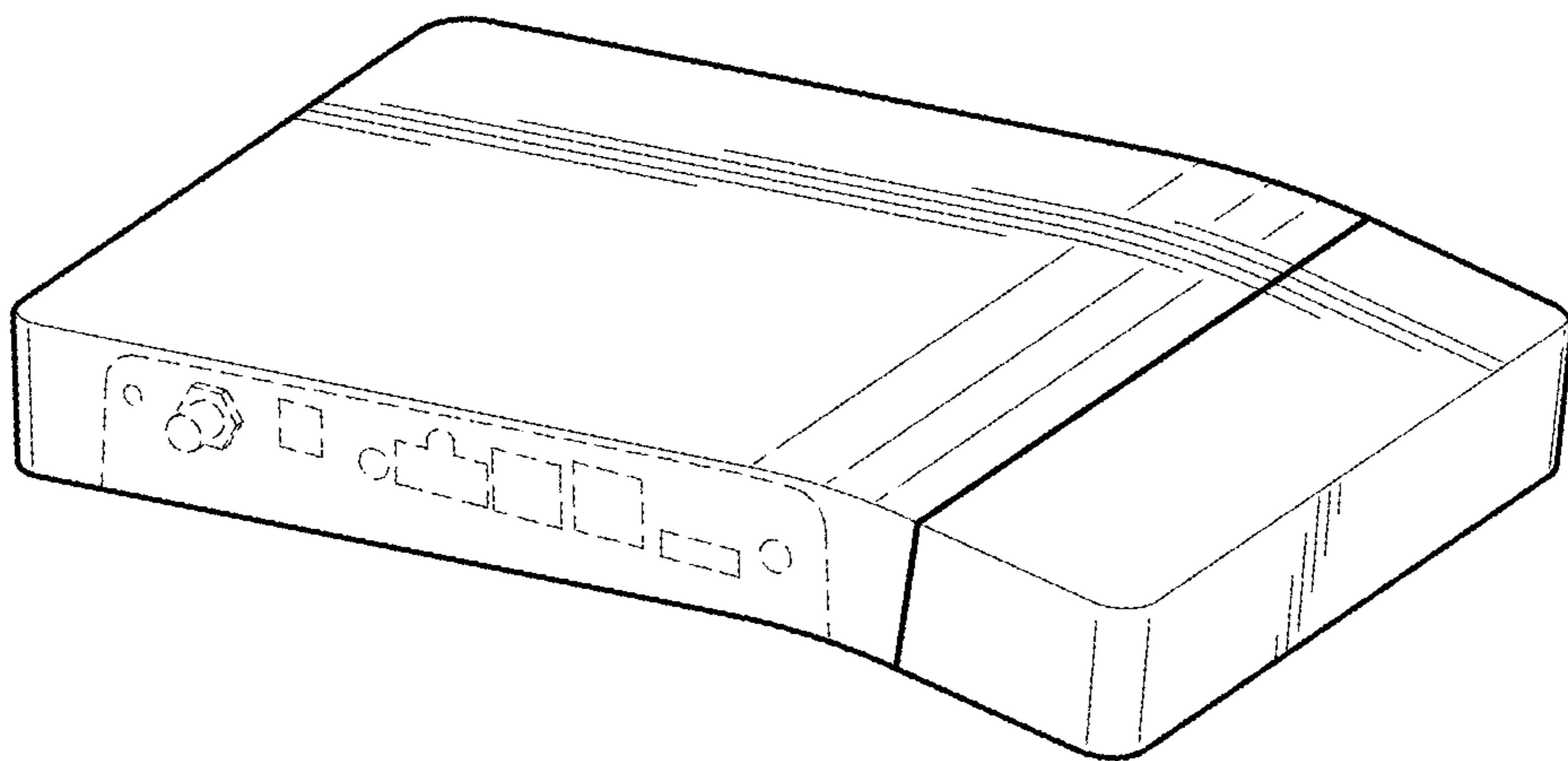


FIG. 2

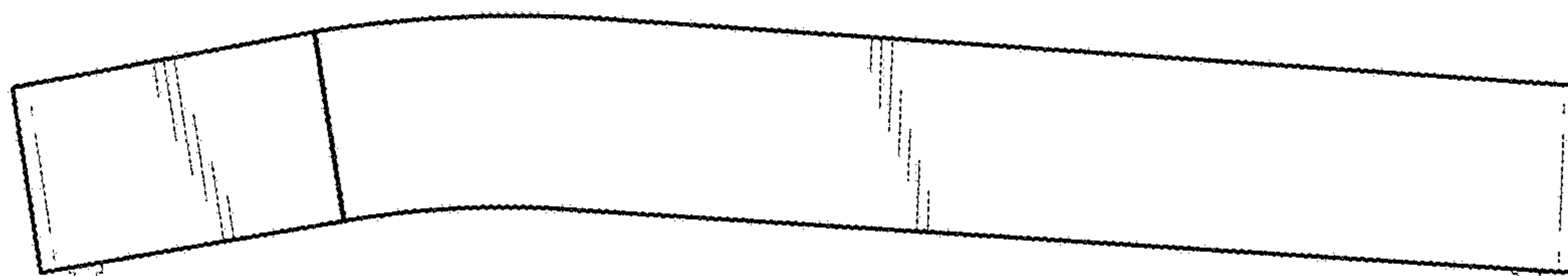


FIG. 3

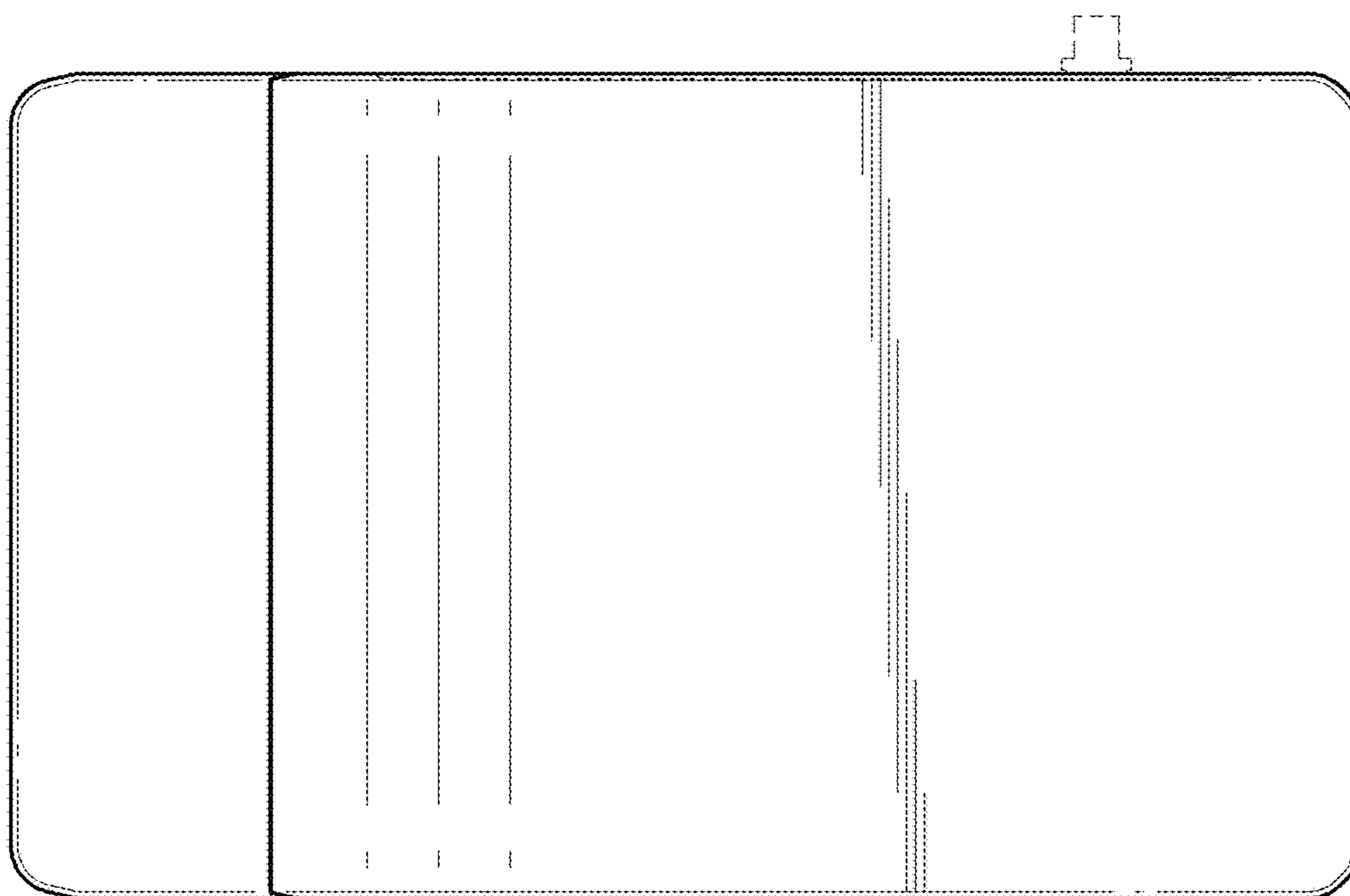


FIG. 4

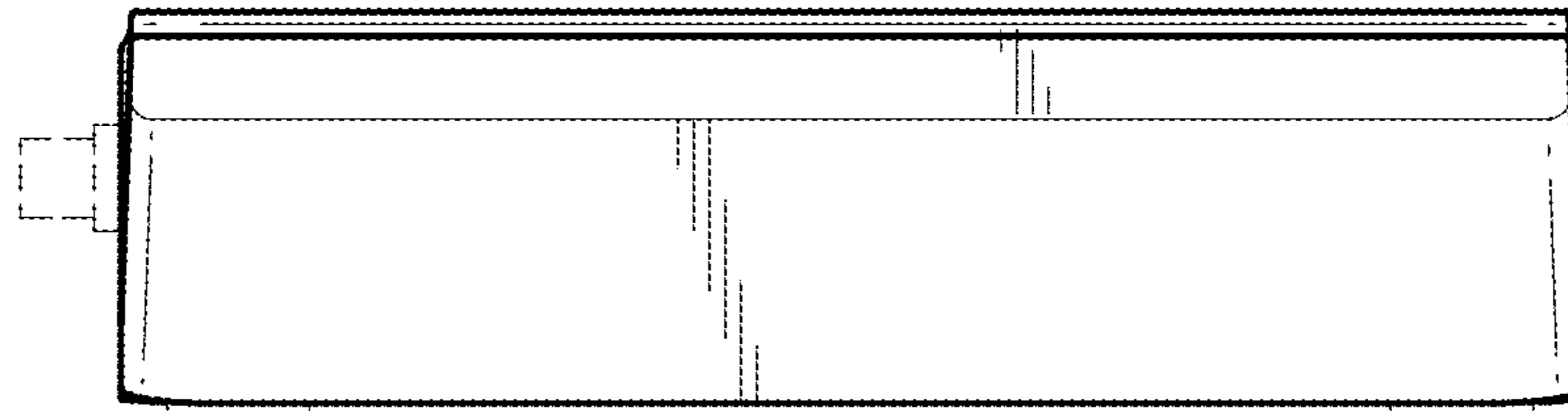


FIG. 5

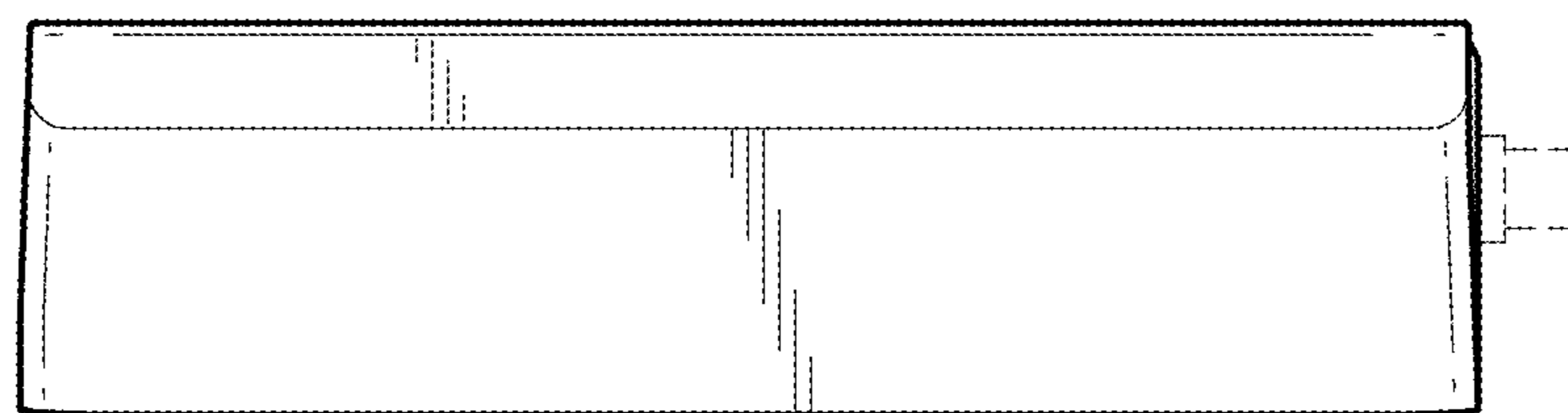


FIG. 6

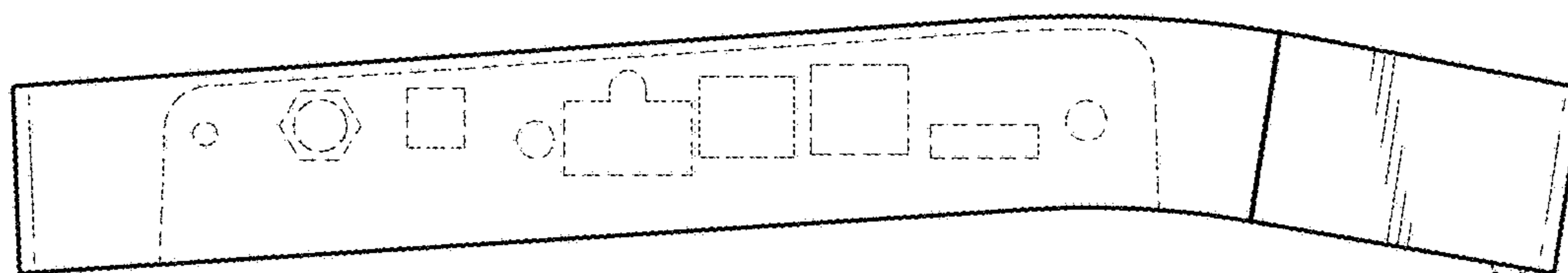


FIG. 7

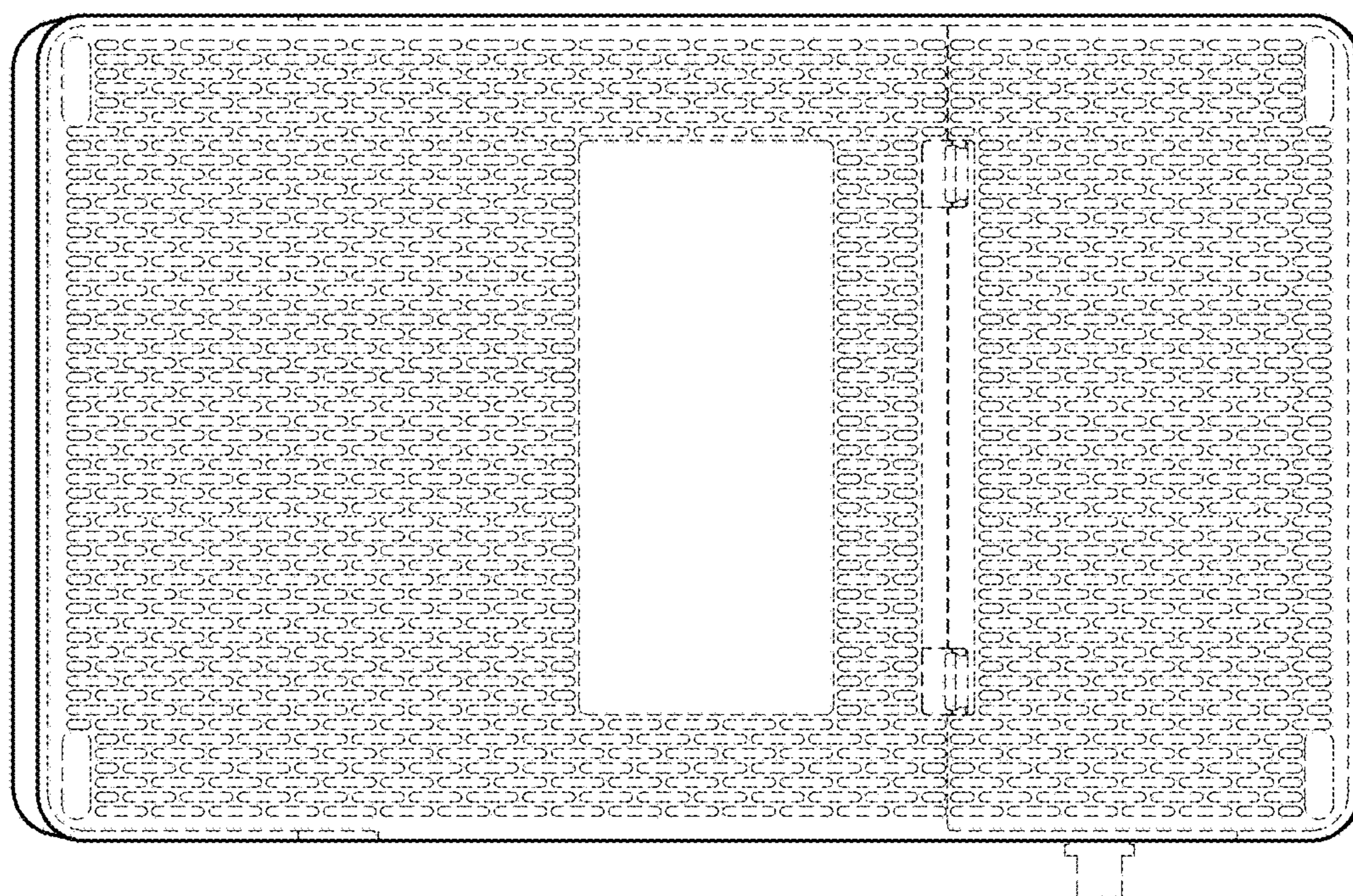


FIG. 8