

US00D777695S

(12) **United States Design Patent**  
**Odryna et al.**

(10) **Patent No.:** **US D777,695 S**

(45) **Date of Patent:** **\*\* Jan. 31, 2017**

(54) **SET TOP BOX**

D650,394 S \* 12/2011 Seoc ..... D14/496  
D692,849 S \* 11/2013 Choi ..... D14/188  
D699,694 S \* 2/2014 Son ..... D14/125

(71) Applicant: **Layer3 TV, Inc.**, Denver, CO (US)

(72) Inventors: **Vic Odryna**, Boston, MA (US); **Jeffrey Binder**, Denver, CO (US); **Dave Fellows**, Boston, MA (US); **Eric Kuhn**, Los Angeles, CA (US); **Andre De Salis**, Pasadena, CA (US); **Eduardo Salazar**, Reseda, CA (US); **John Schoenbeck**, Calabasas, CA (US); **Timothy Swiss**, Carlsbad, CA (US)

\* cited by examiner

*Primary Examiner* — Randall Gholson

(74) *Attorney, Agent, or Firm* — Brownstein Hyatt Farber Schreck, LLP

(73) Assignee: **LAYER3 TV, INC.**, Denver, CO (US)

(\*\*) Term: **15 Years**

(21) Appl. No.: **29/533,072**

(22) Filed: **Jul. 14, 2015**

(51) **LOC (10) Cl.** ..... **14-03**

(52) **U.S. Cl.**  
USPC ..... **D14/125**

(58) **Field of Classification Search**  
USPC ..... D14/125, 357–358, 496, 188, 242, 432;  
D13/184; 348/10, 460, 706, 731;  
340/825.03; 455/6.1, 6.2; 312/223.1, 7.2  
CPC ..... H04N 21/00; H04N 21/20; H04N 21/40  
See application file for complete search history.

(56) **References Cited**

U.S. PATENT DOCUMENTS

D513,617 S \* 1/2006 Tierney ..... D14/496  
D525,968 S \* 8/2006 Peng ..... D14/300  
D526,648 S \* 8/2006 Andre ..... D14/314  
D601,583 S \* 10/2009 Andre ..... D14/496

(57) **CLAIM**

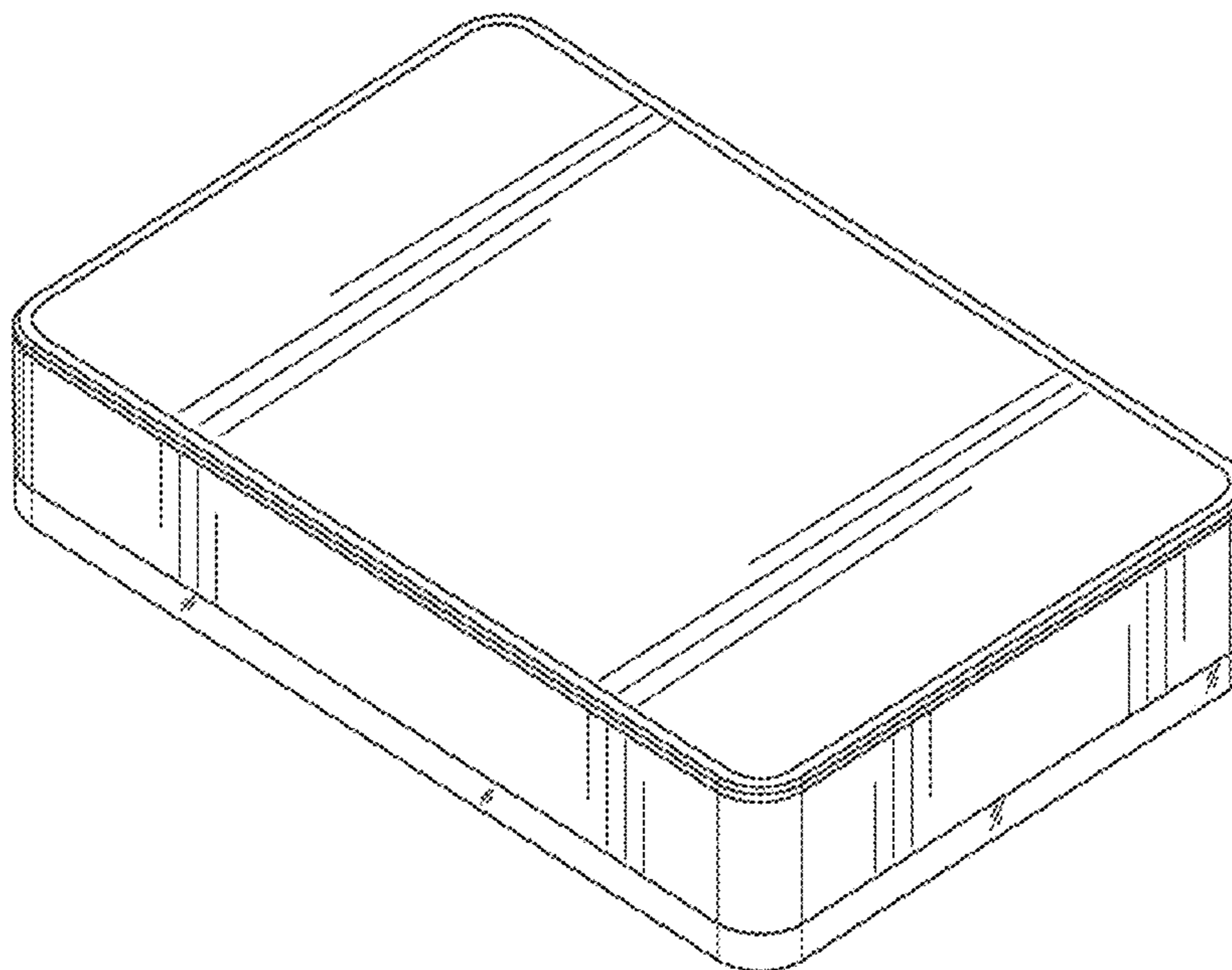
The ornamental design for a set top box, as shown and described.

**DESCRIPTION**

FIG. 1 is a front right side perspective view of a set top box showing our new design;  
FIG. 2 is a front view thereof;  
FIG. 3 is a rear view thereof;  
FIG. 4 is a right side view thereof;  
FIG. 5 is a left side view thereof;  
FIG. 6 is a top view thereof; and,  
FIG. 7 is a bottom view thereof.

The broken lines depict portions of the set top box that form no part of the claimed design; and,

**1 Claim, 7 Drawing Sheets**



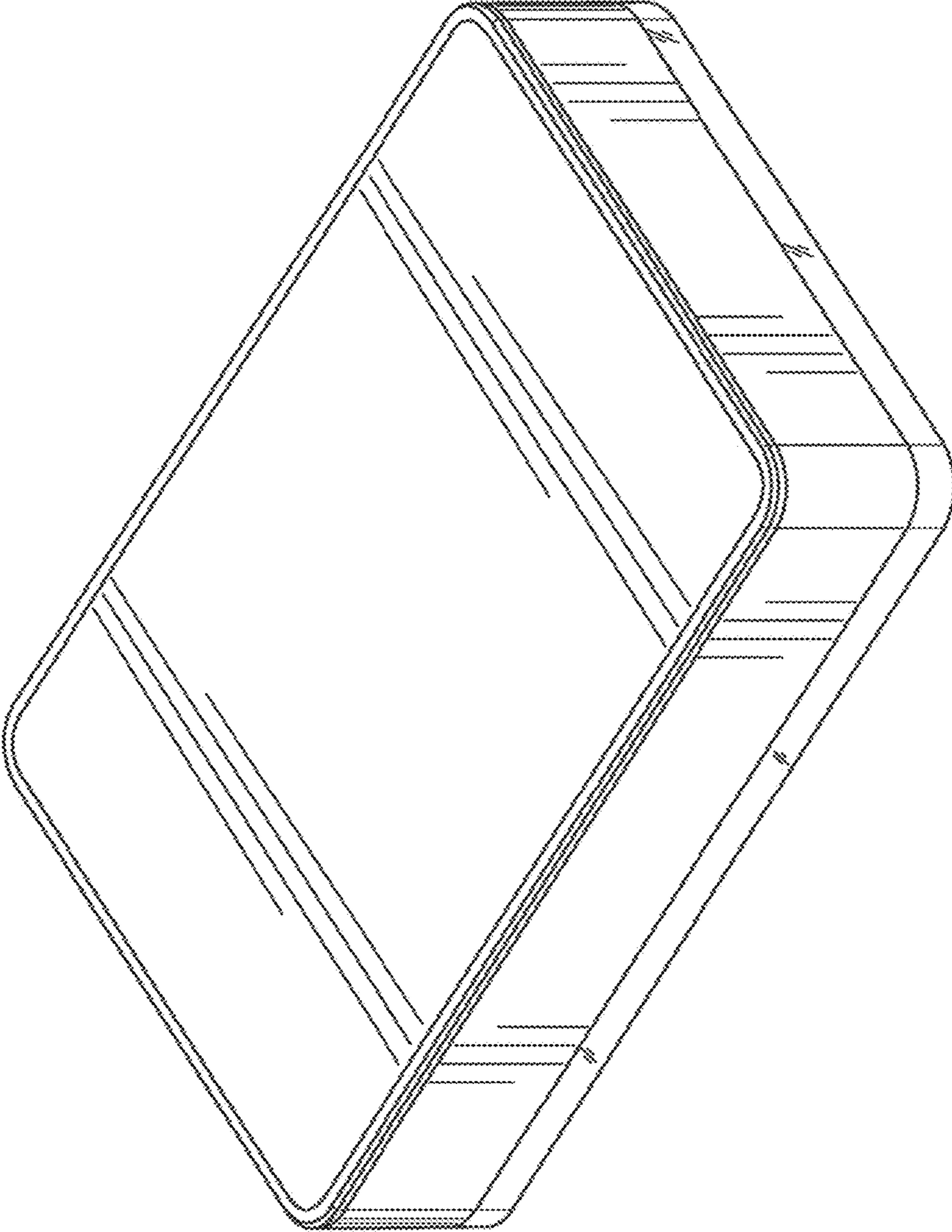


FIG. 1

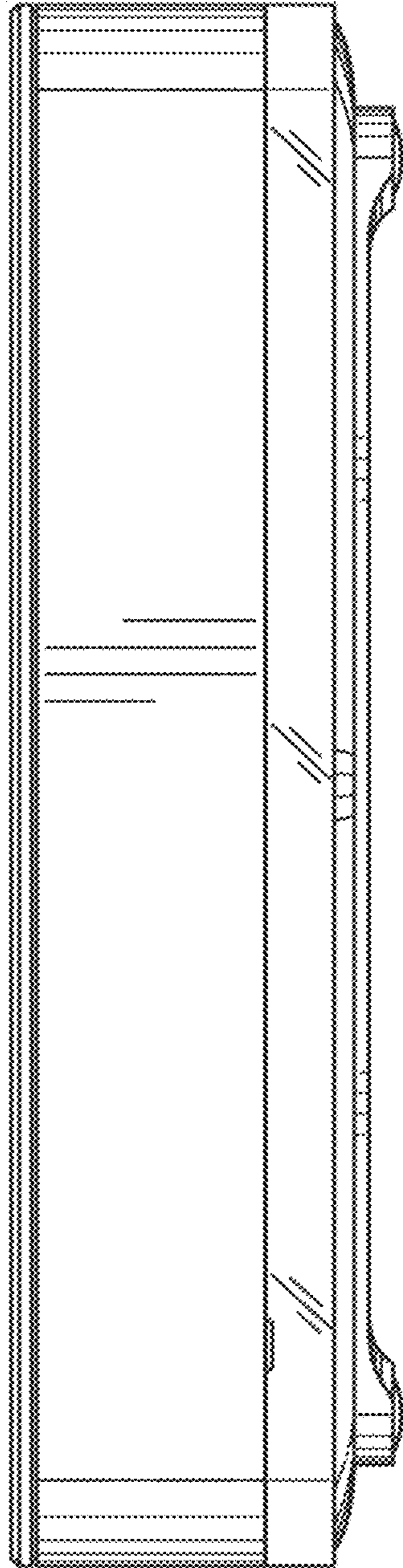


FIG. 2

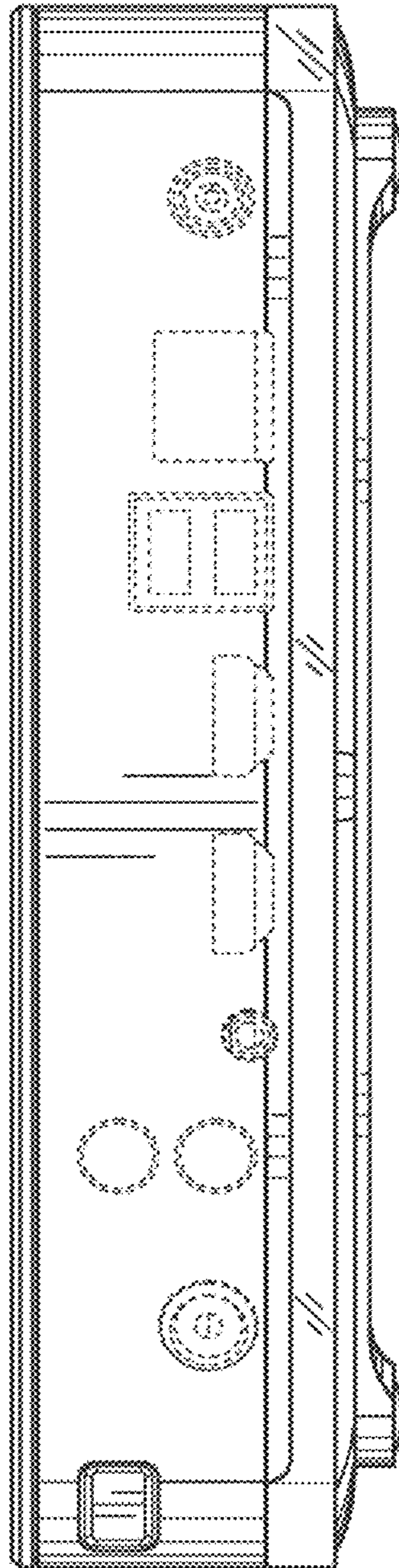


FIG. 3

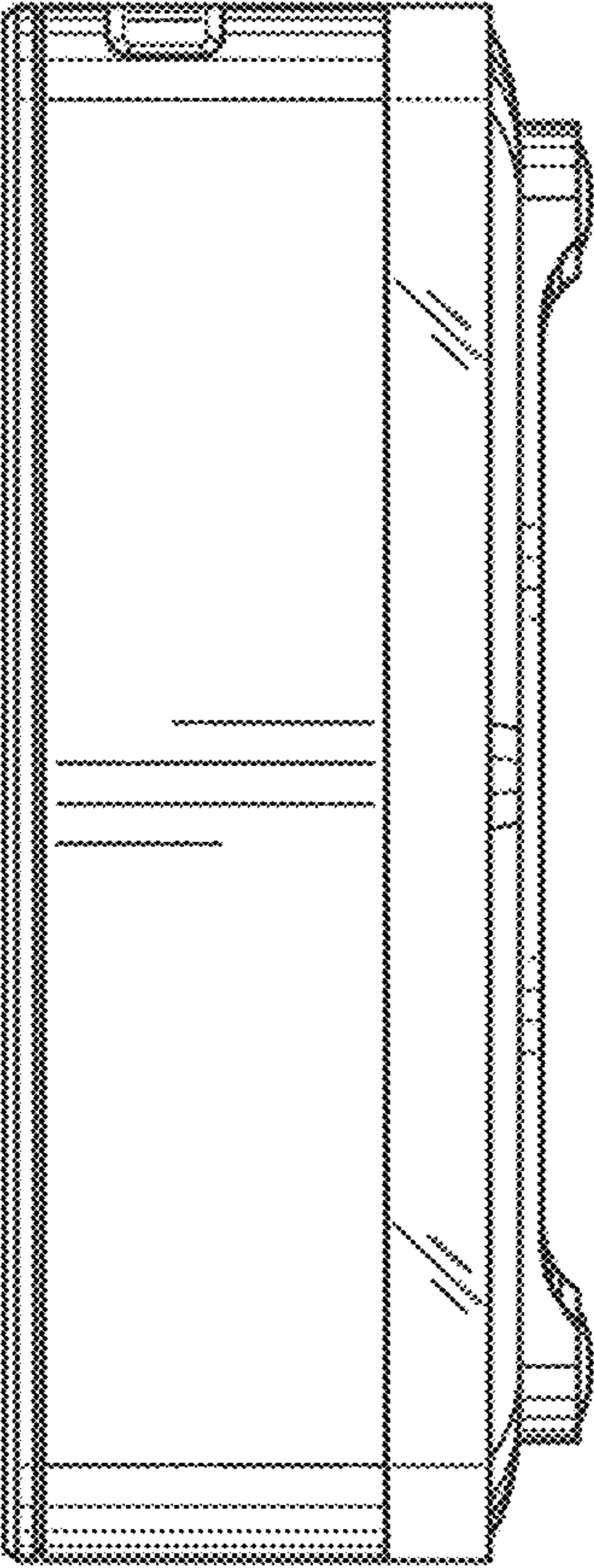


FIG. 4

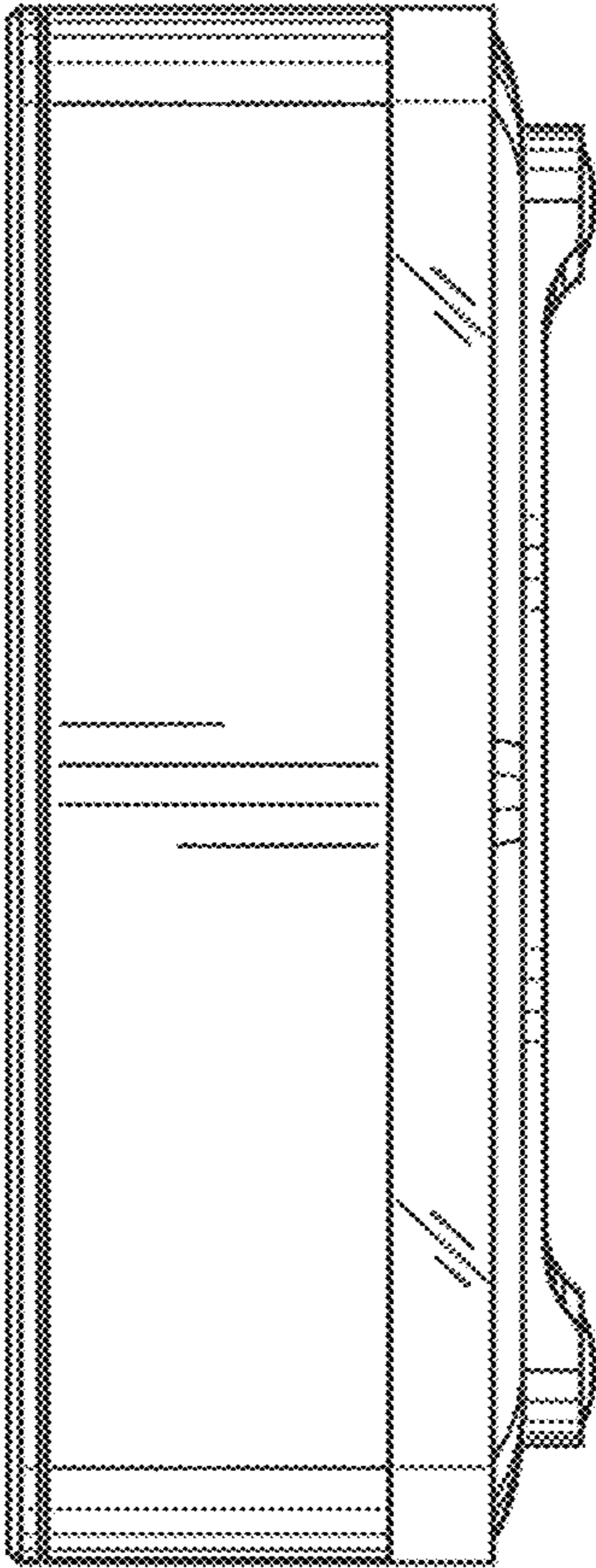


FIG. 5

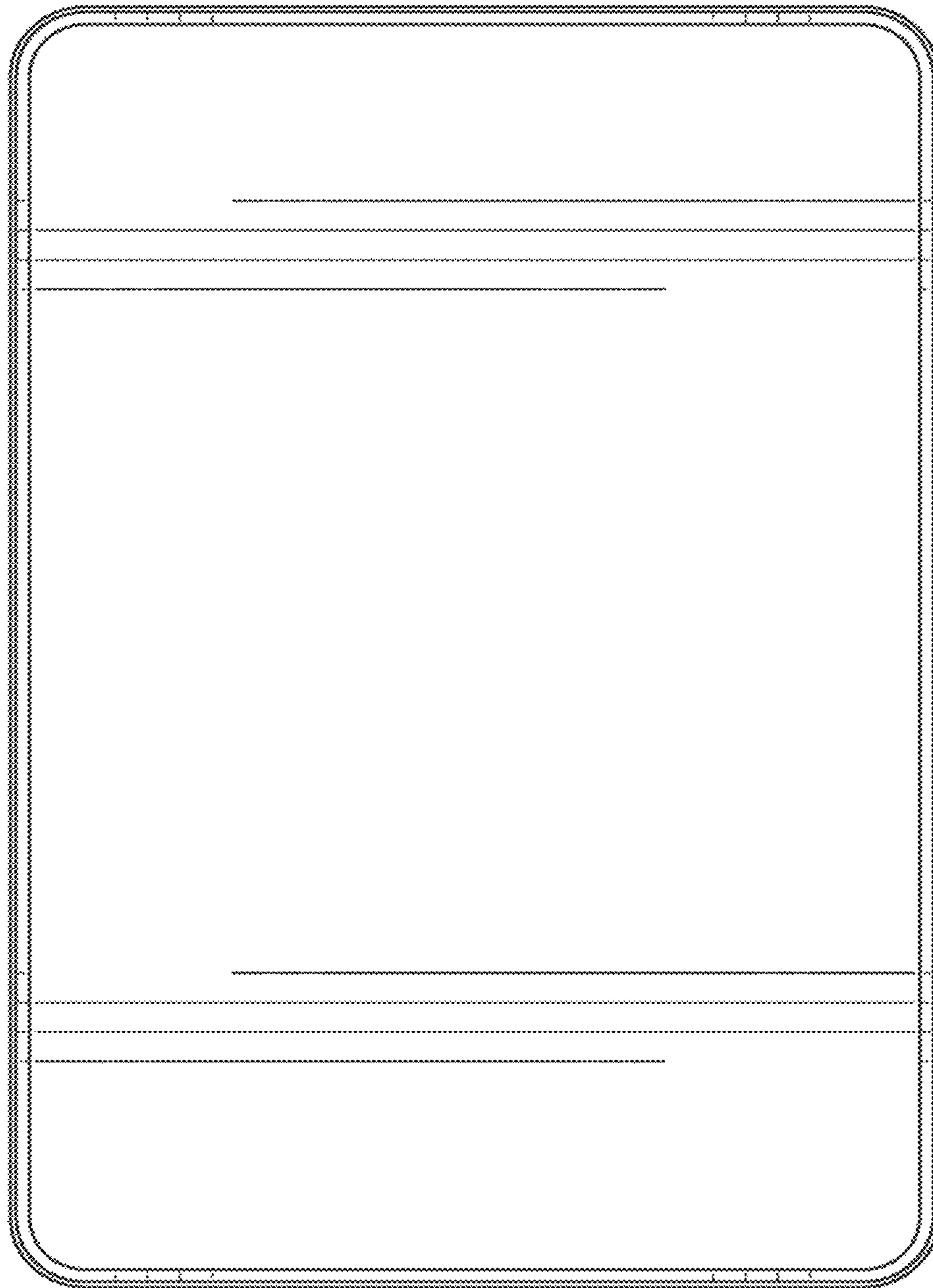


FIG. 6

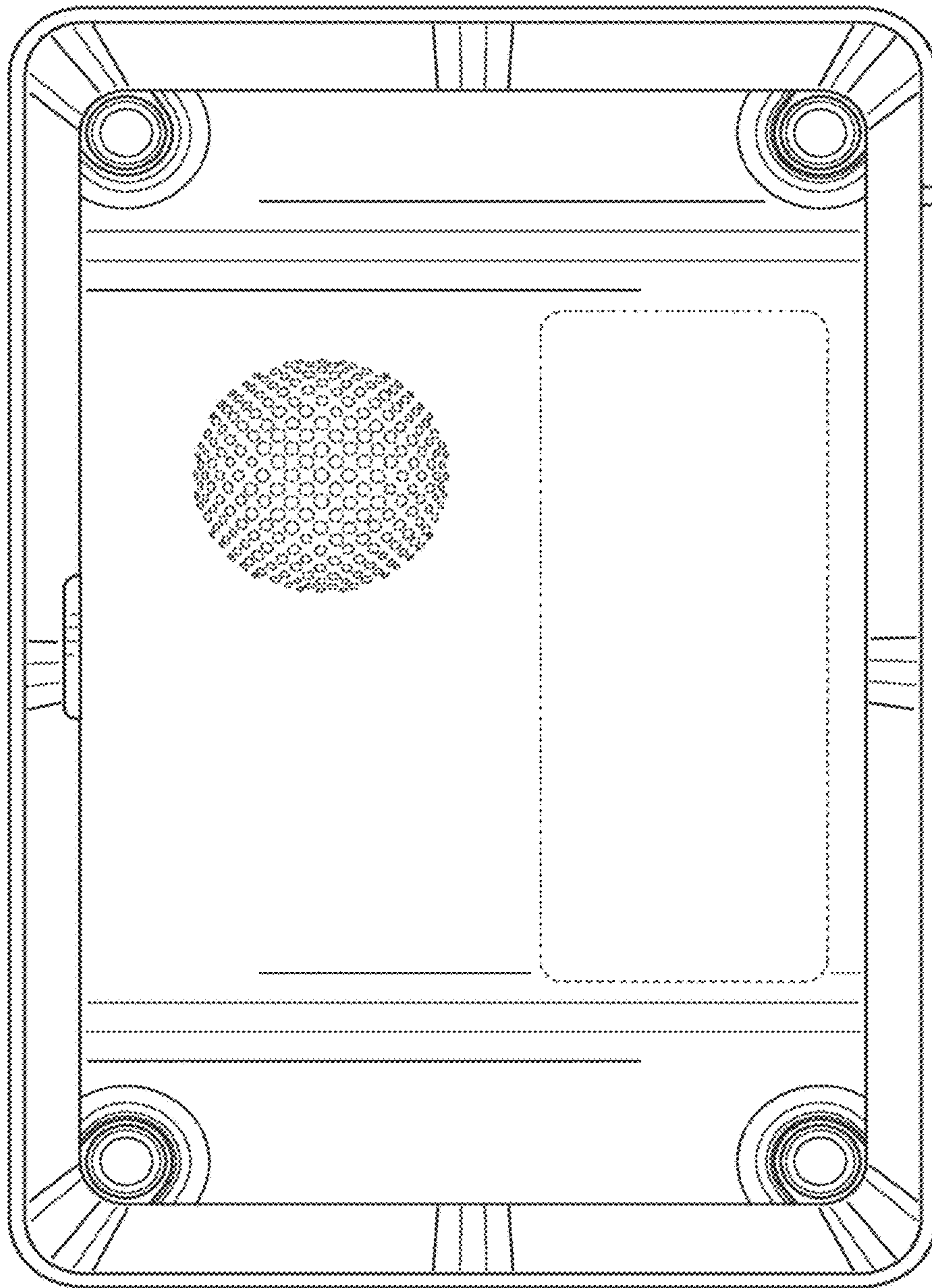


FIG. 7