



US00D777694S

(12) **United States Design Patent**
Watanabe

(10) **Patent No.:** **US D777,694 S**

(45) **Date of Patent:** **** Jan. 31, 2017**

(54) **LIGHT-EMITTING DIODE**

(71) Applicants: **CITIZEN ELECTRONICS CO., LTD.**, Yamanashi-ken (JP); **CITIZEN WATCH CO., LTD.**, Tokyo (JP)

(72) Inventor: **Yusuke Watanabe**, Yamanashi-ken (JP)

(73) Assignees: **CITIZEN ELECTRONICS CO., LTD.**, Yamanashi-Ken (JP); **CITIZEN WATCH CO., LTD.**, Tokyo (JP)

(**) Term: **15 Years**

(21) Appl. No.: **29/545,117**

(22) Filed: **Nov. 10, 2015**

(30) **Foreign Application Priority Data**

May 15, 2015 (JP) 2015-010585
May 15, 2015 (JP) 2015-010609

(51) **LOC (10) Cl.** **13-03**

(52) **U.S. Cl.**
USPC **D13/180**

(58) **Field of Classification Search**
USPC D13/101, 118, 179, 180, 182; D26/1, 2,
D26/24, 72, 74, 113, 138
(Continued)

(56) **References Cited**

U.S. PATENT DOCUMENTS

D495,086 S * 8/2004 Burkart D26/113
D521,463 S * 5/2006 Inoue D13/180
(Continued)

FOREIGN PATENT DOCUMENTS

JP D1377263 1/2010
JP D1406408 1/2011
(Continued)

Primary Examiner — Garth Rademaker

Assistant Examiner — Richard Kearney

(74) *Attorney, Agent, or Firm* — Wenderoth, Lind & Ponack, L.L.P.

(57) **CLAIM**

The ornamental design for a light-emitting diode, as shown and described.

DESCRIPTION

FIG. 1 is a top perspective view of a first embodiment of a light-emitting diode showing an upper surface with front and left side surfaces;

FIG. 2 is a bottom perspective view thereof showing a bottom surface with rear and right side surfaces;

FIG. 3 is a front view thereof;

FIG. 4 is a rear view thereof;

FIG. 5 is a top plan view thereof;

FIG. 6 is a bottom plan view thereof;

FIG. 7 is a left side view thereof;

FIG. 8 is a right side view thereof;

FIG. 9 is a top perspective view of a second embodiment of a light-emitting diode showing an upper surface with front and left side surfaces;

FIG. 10 is a bottom perspective view thereof showing a bottom surface with rear and right side surfaces;

FIG. 11 is a front view thereof;

FIG. 12 is a rear view thereof;

FIG. 13 is a top plan view thereof;

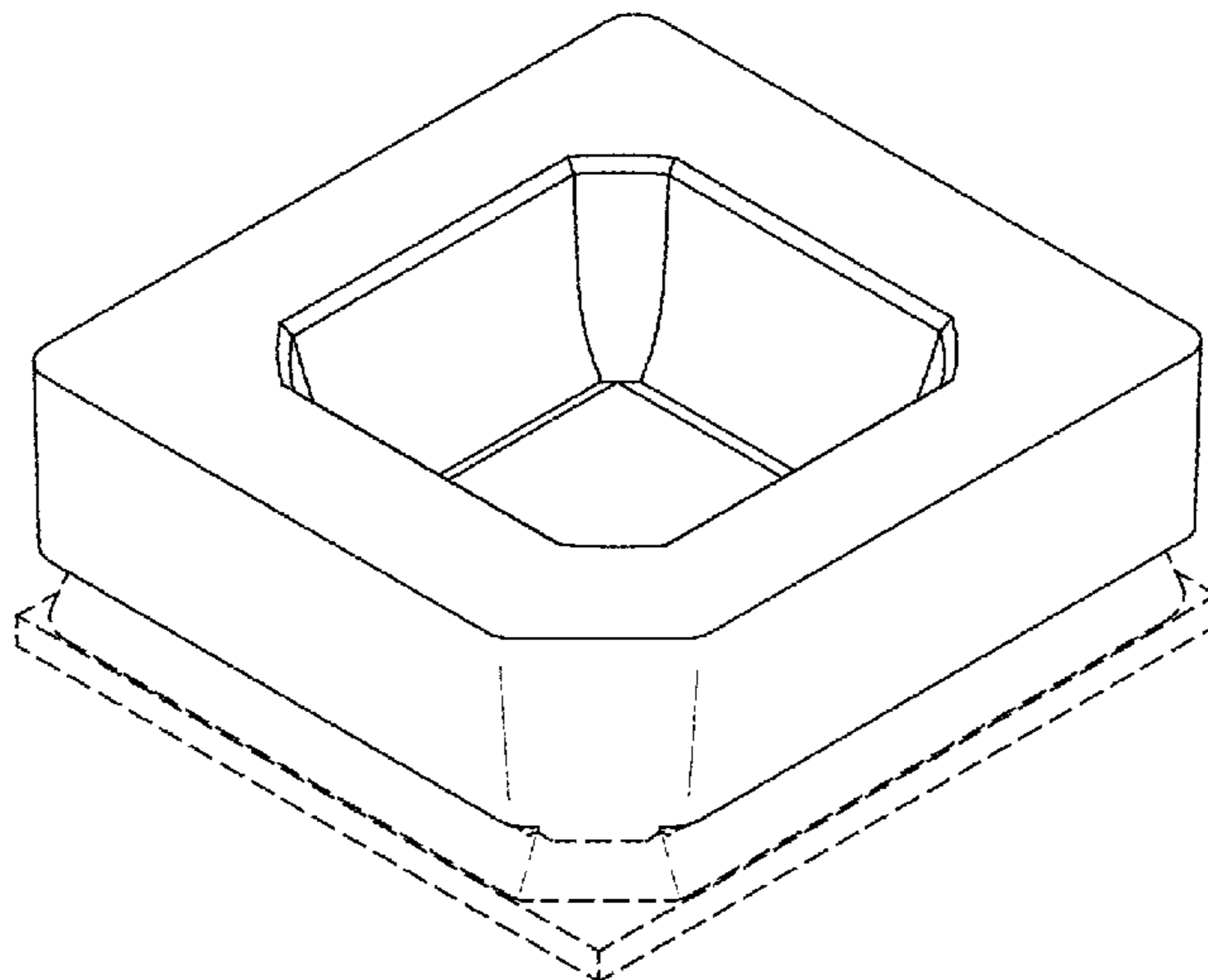
FIG. 14 is a bottom plan view thereof;

FIG. 15 is a left side view thereof; and,

FIG. 16 is a right side view.

The broken lines shown in the drawings illustrate portions of the light-emitting diode that form no part of the claimed design.

1 Claim, 6 Drawing Sheets



(58) **Field of Classification Search**
CPC H01L 25/167; H01L 27/15; H01L 27/224;
H01L 33/56
See application file for complete search history.

(56) **References Cited**

U.S. PATENT DOCUMENTS

D524,762 S * 7/2006 Inoue D13/180
D568,835 S * 5/2008 Nishida D13/180
D597,970 S * 8/2009 Kobayakawa D13/180
7,635,915 B2 * 12/2009 Xie H01L 33/62
257/692
D632,659 S * 2/2011 Hsieh D13/180
D659,657 S * 5/2012 Hussell D13/180
D660,813 S * 5/2012 Otaki D13/180
D661,264 S * 6/2012 Joo D13/180
D679,666 S * 4/2013 Hsu D13/180
D684,545 S * 6/2013 Chan D13/180

D695,442 S * 12/2013 Speier D26/74
D708,156 S * 7/2014 Joo D13/180
D731,692 S * 6/2015 Boyer D26/74
9,133,996 B2 * 9/2015 Thibodeau F21S 48/00
9,257,370 B2 * 2/2016 Fan H01L 23/047
D752,527 S * 3/2016 Chen D13/180
D757,663 S * 5/2016 Feng D13/180
9,339,800 B2 * 5/2016 Cavataio B01D 53/9418
D760,178 S * 6/2016 Feng D13/180
D763,206 S * 8/2016 Lin D13/180
2008/0185605 A1 * 8/2008 Wada H01L 33/60
257/98

FOREIGN PATENT DOCUMENTS

JP D1411394 4/2011
JP D1493164 3/2014
JP D1493165 3/2014
KR 30-0471819 12/2007

* cited by examiner

Fig. 1

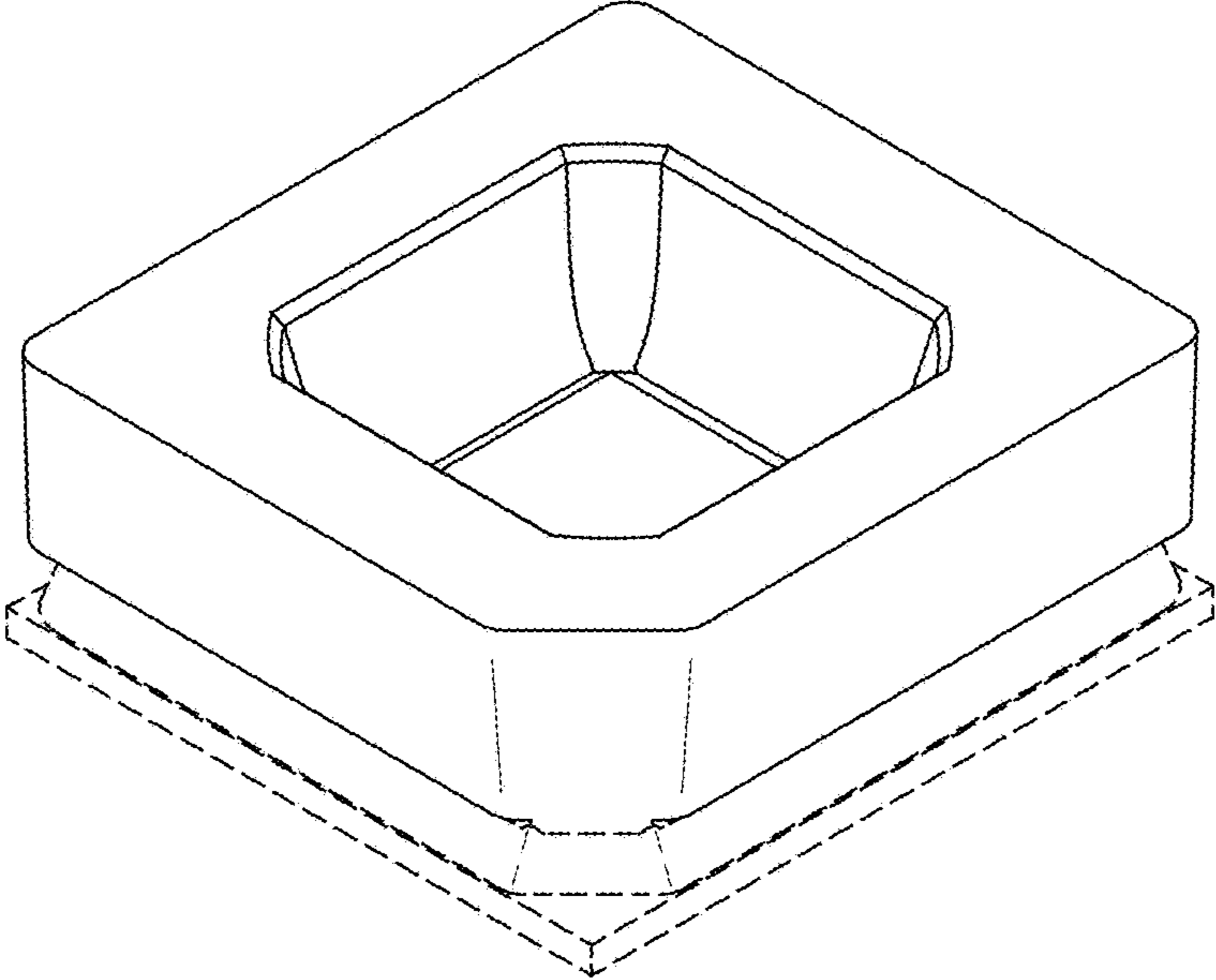


Fig. 2

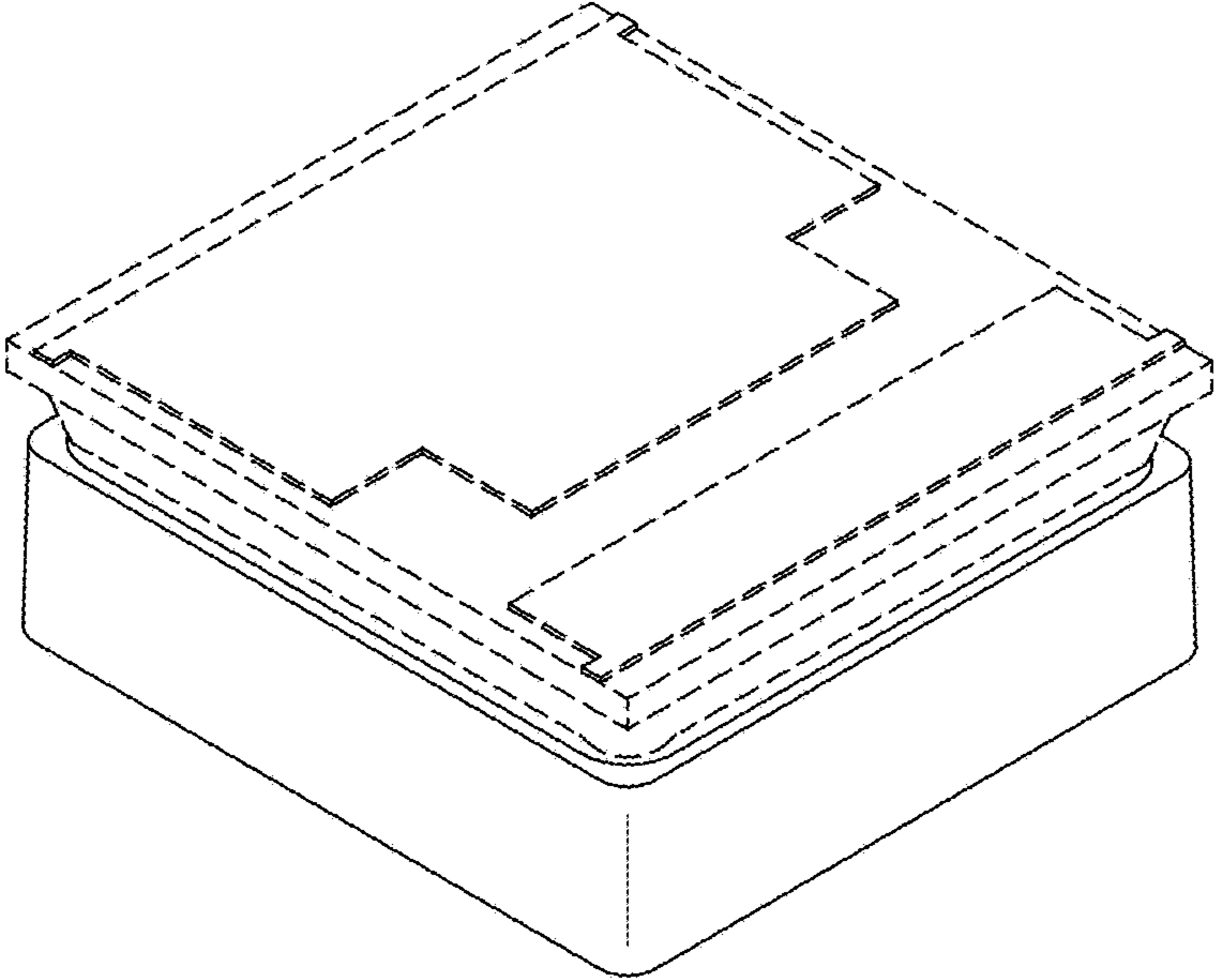


Fig. 3

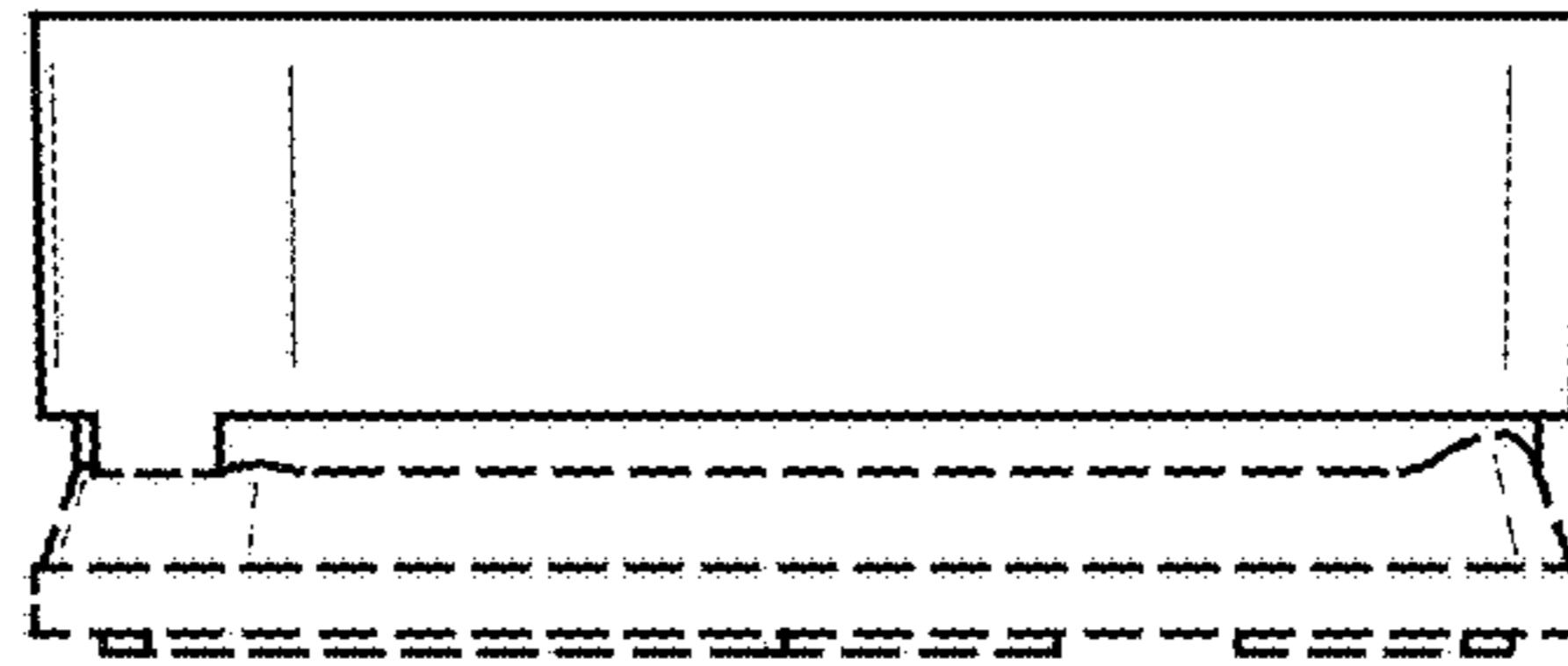


Fig. 4

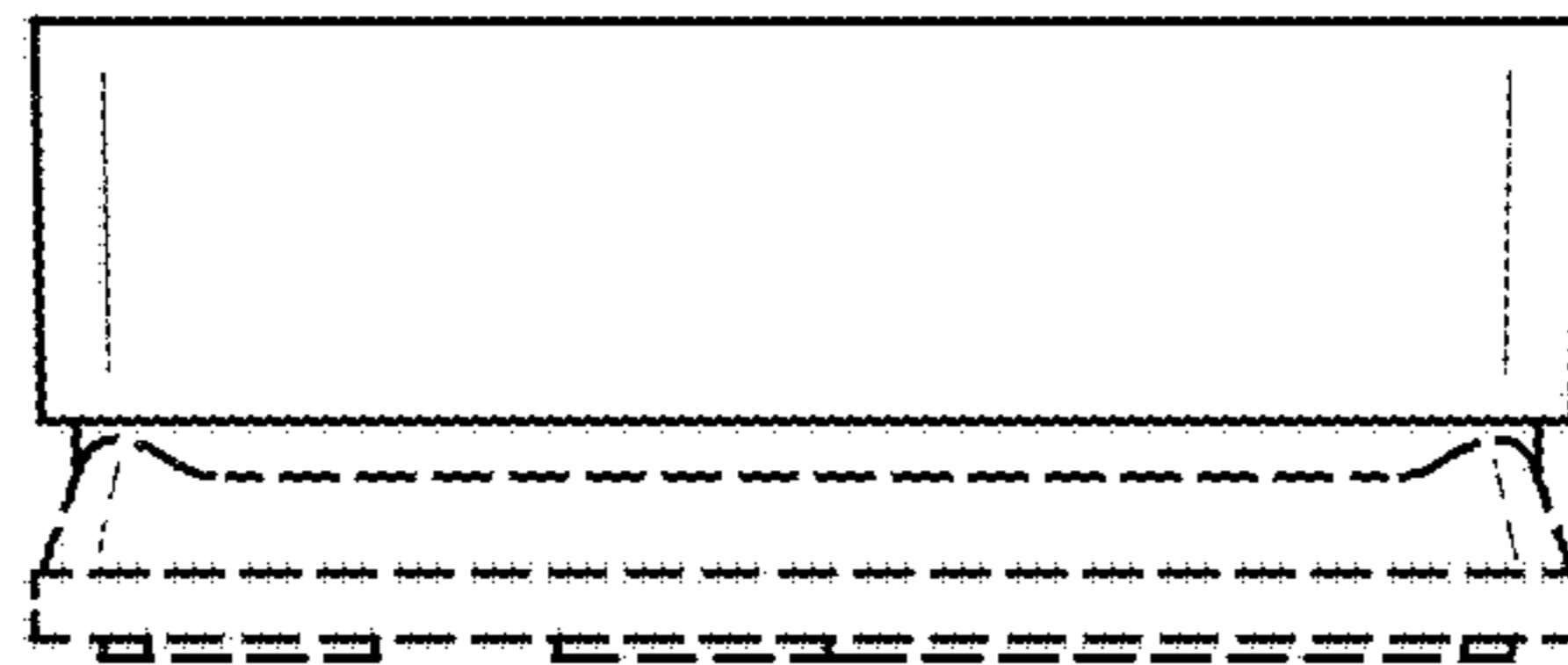


Fig. 5

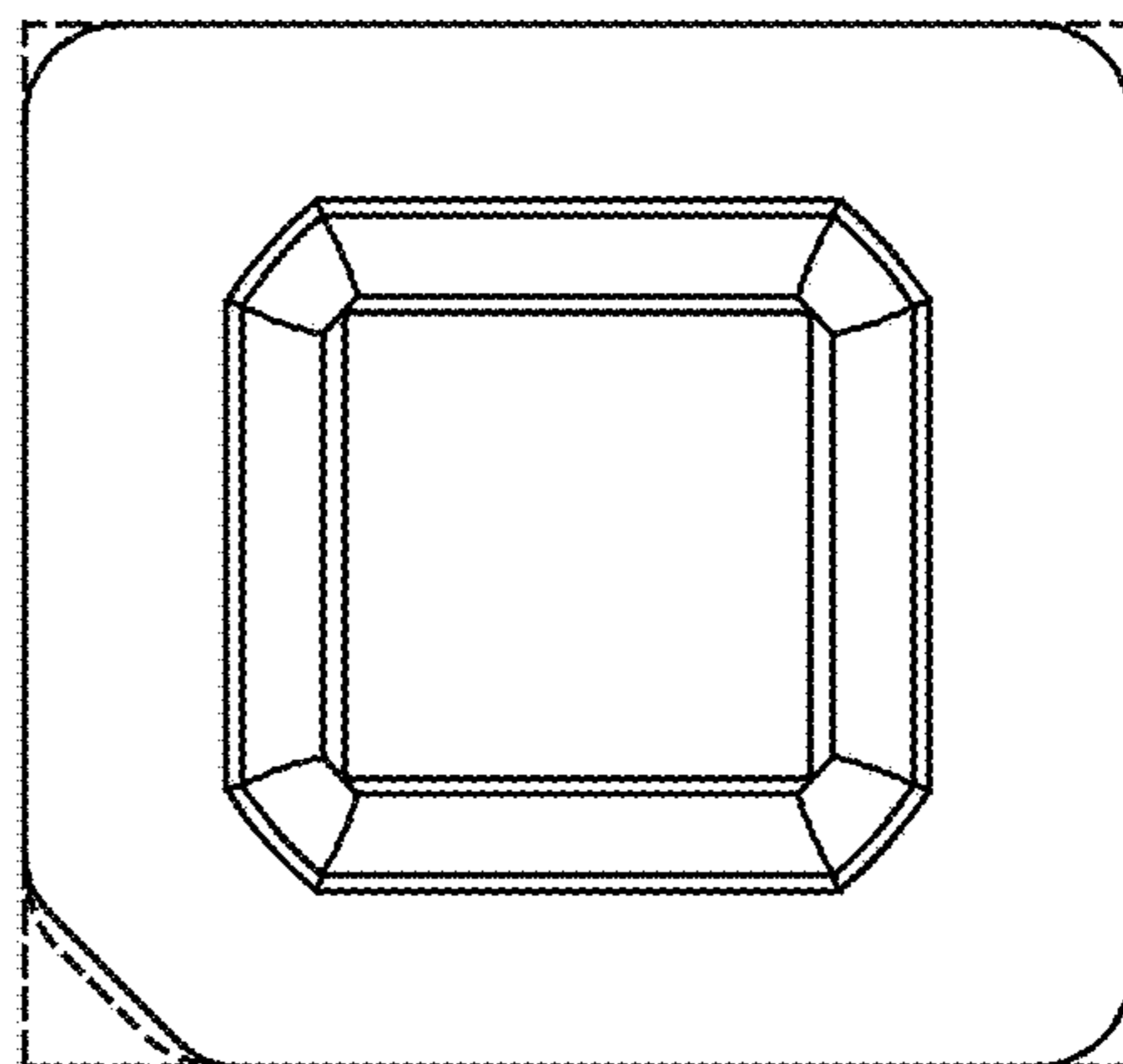


Fig. 6

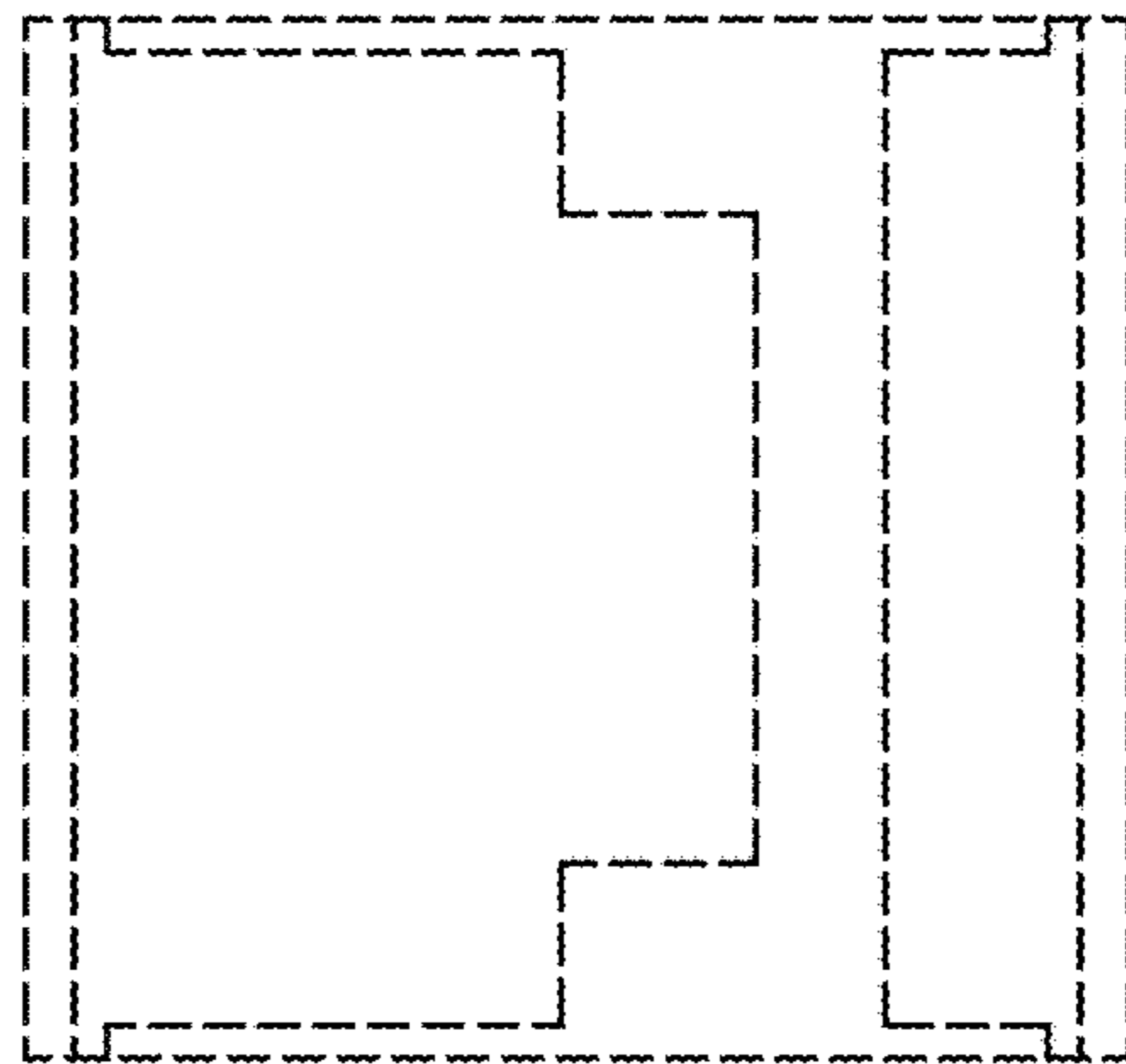


Fig. 7

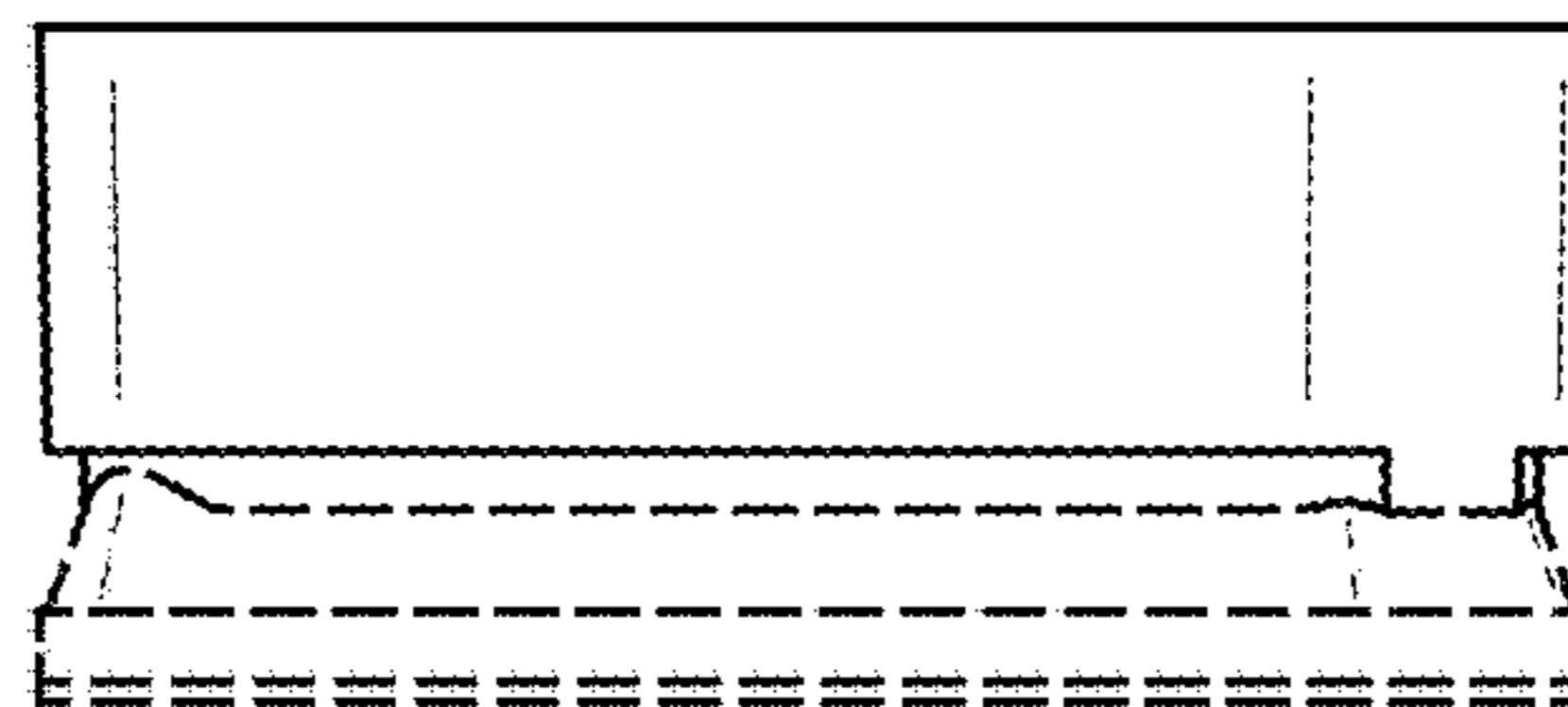


Fig. 8

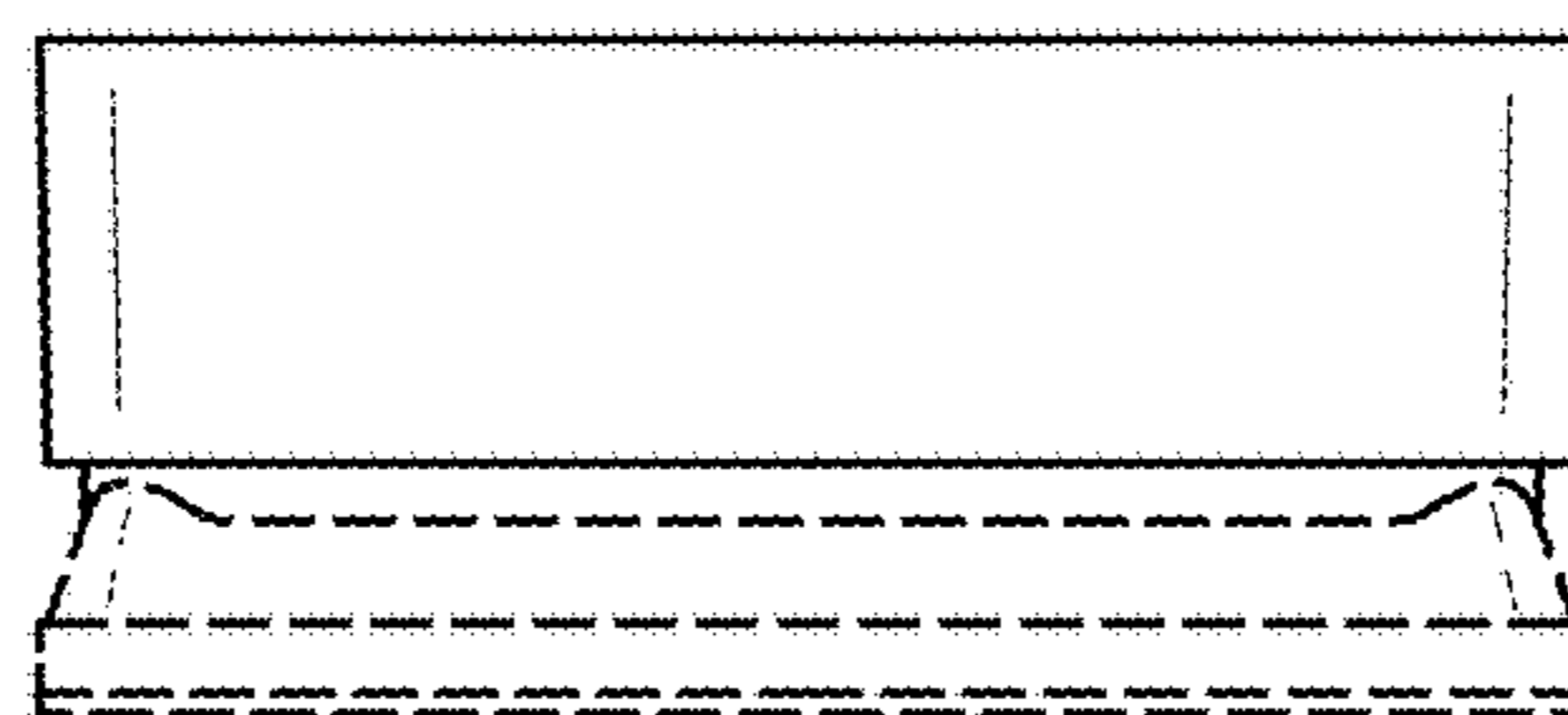


Fig. 9

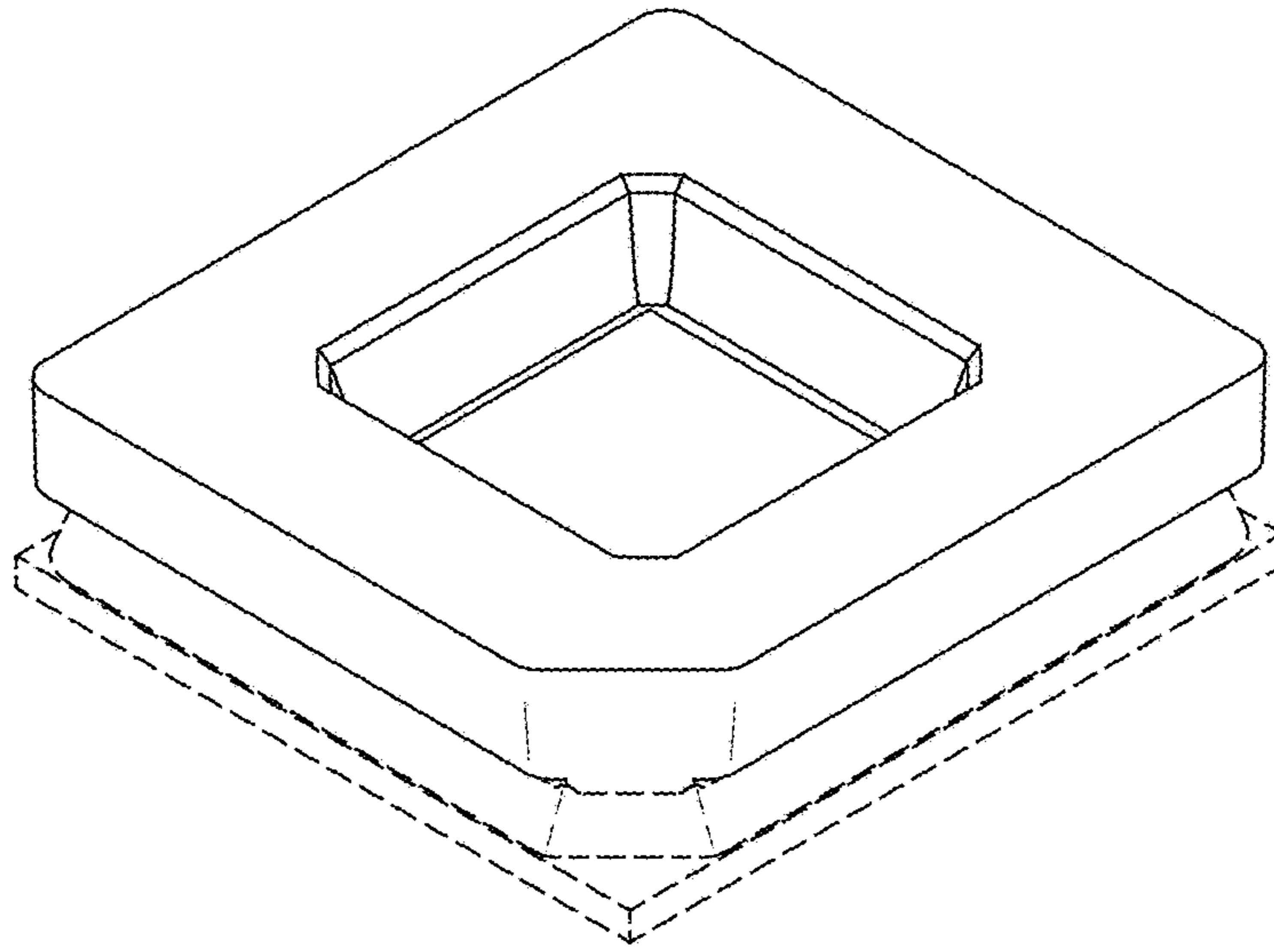


Fig. 10

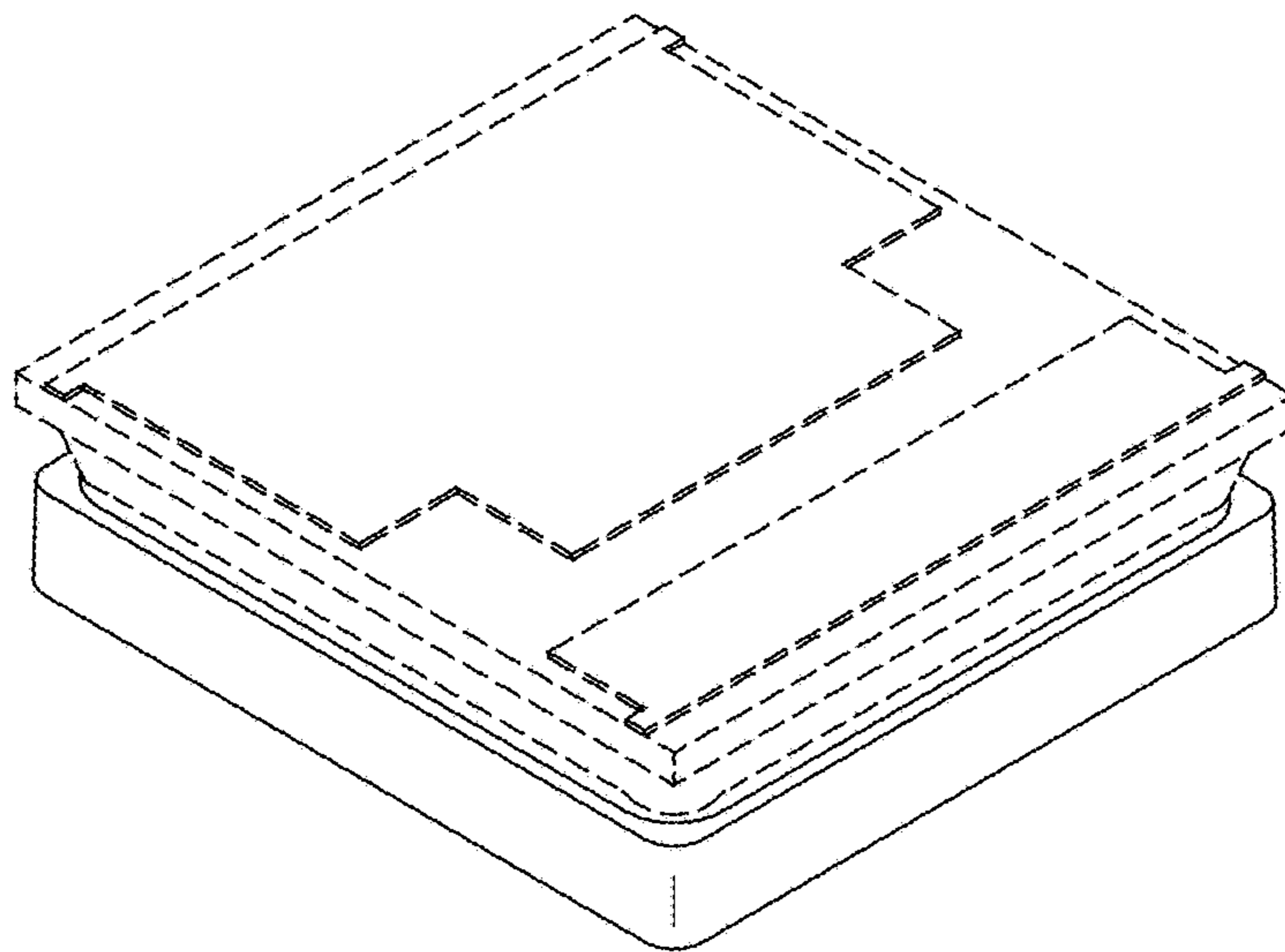


Fig. 11

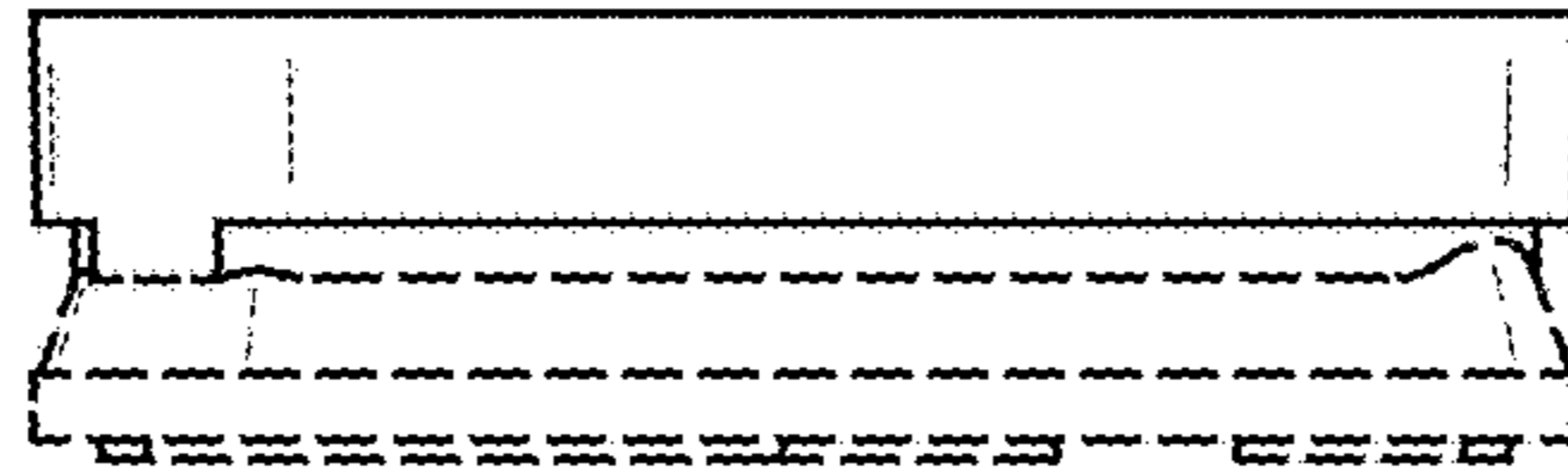


Fig. 12

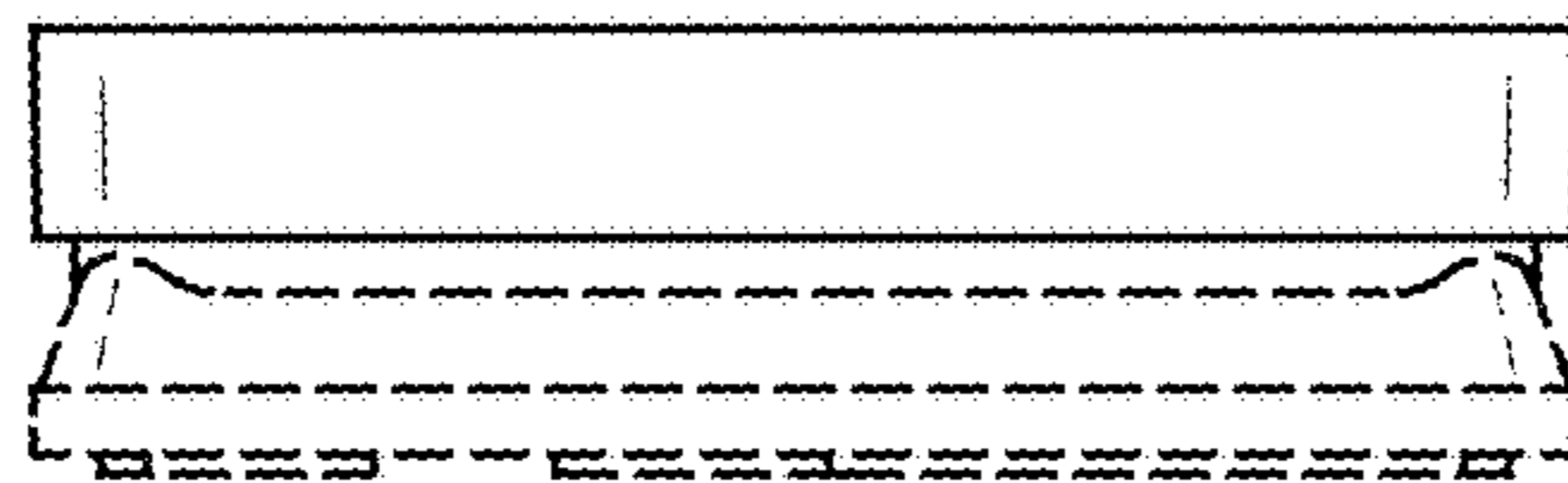


Fig. 13

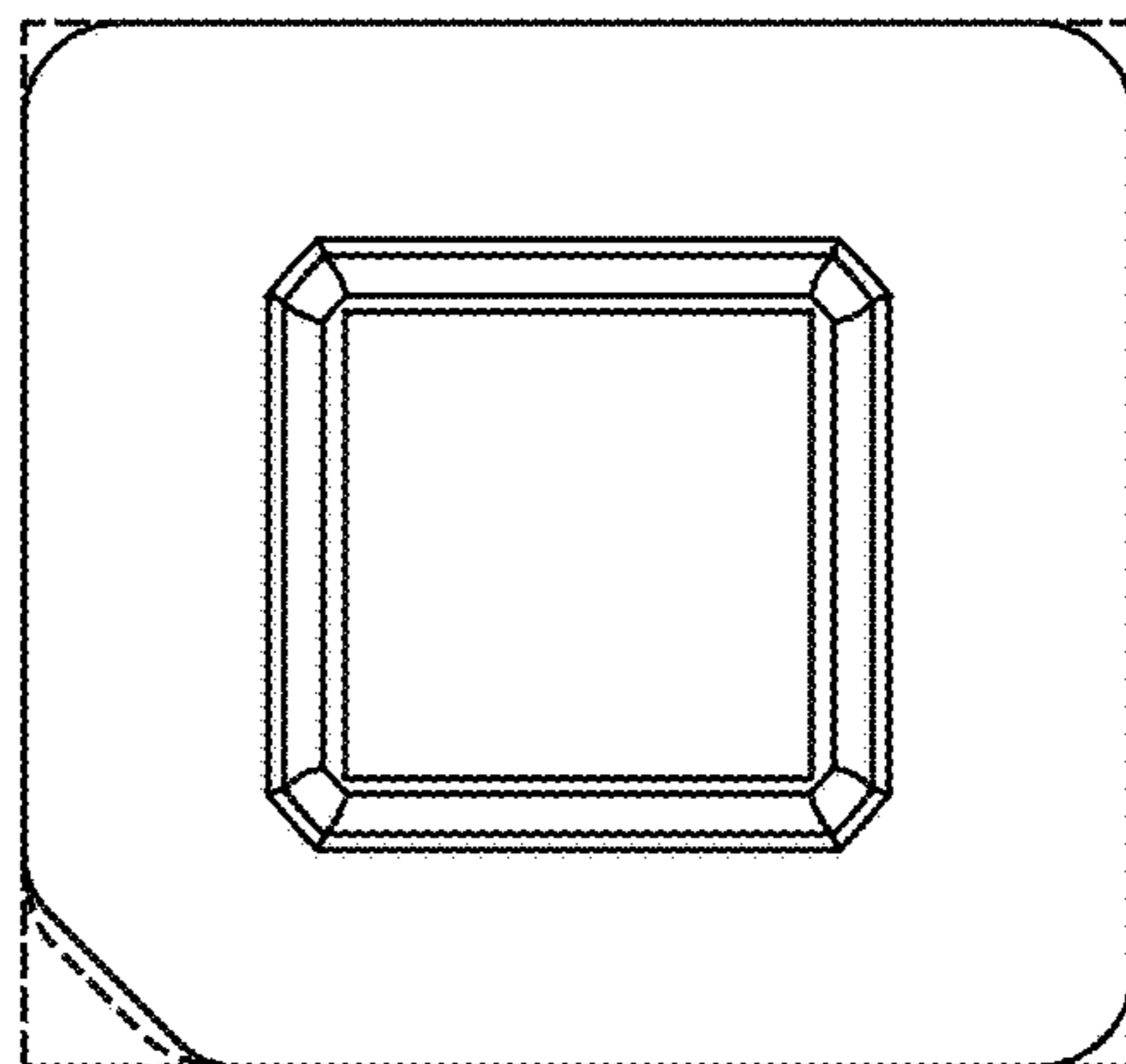


Fig. 14

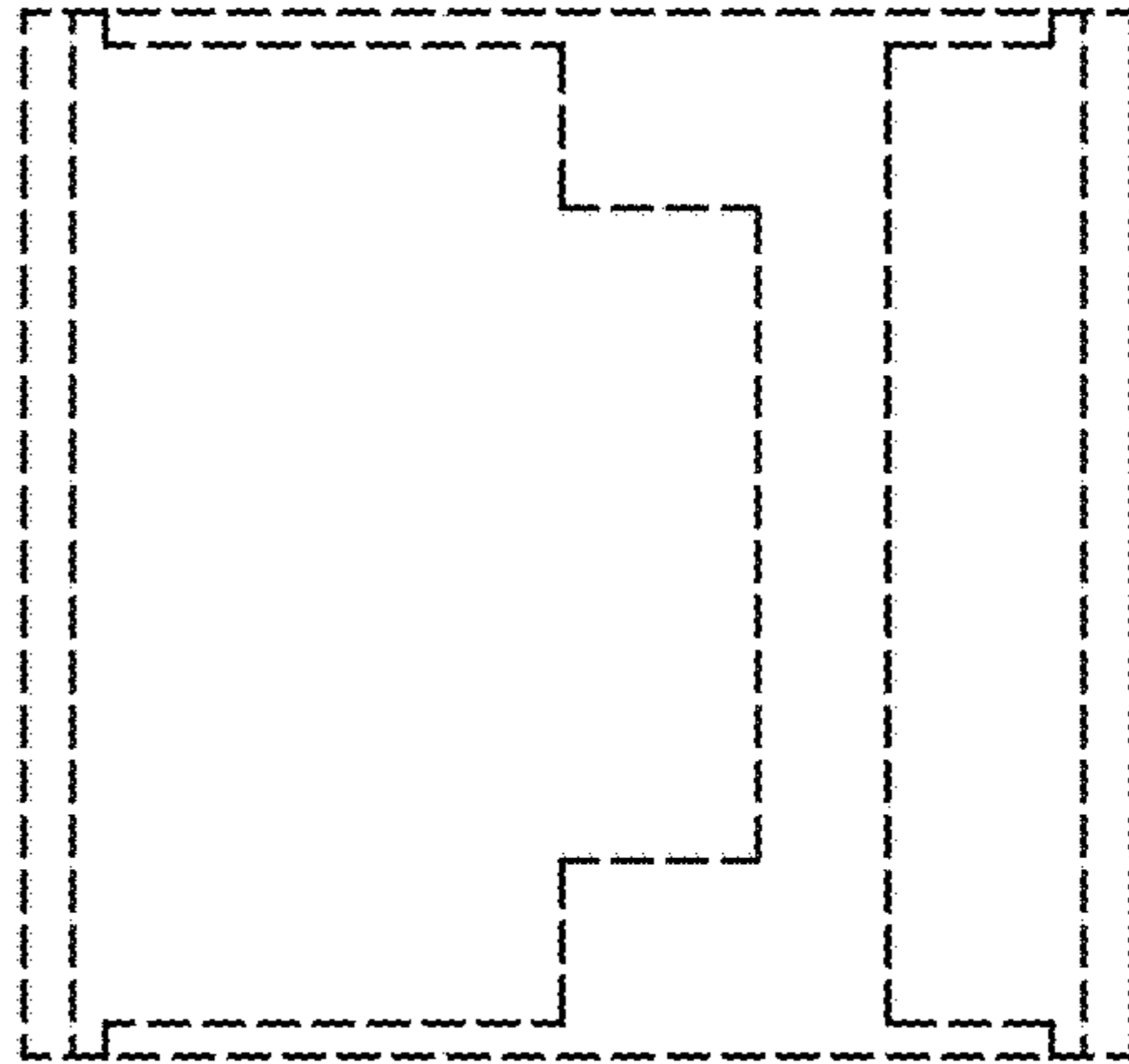


Fig. 15

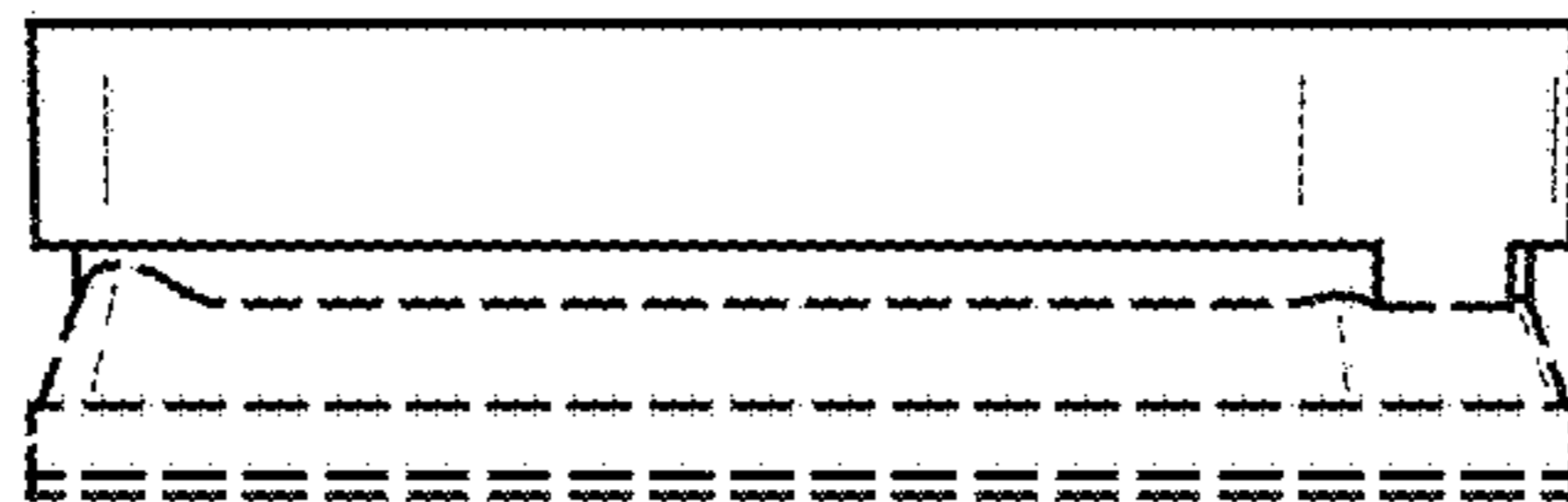


Fig. 16

