



US00D777691S

(12) **United States Design Patent** (10) **Patent No.:** **US D777,691 S**
Amano (45) **Date of Patent:** **** Jan. 31, 2017**

(54) **PUSH SWITCH**

(71) Applicants: **CITIZEN ELECTRONICS CO., LTD.**, Yamanashi-ken (JP); **CITIZEN HOLDINGS CO., LTD.**, Tokyo (JP)

(72) Inventor: **Toyohiko Amano**, Yamanashi-ken (JP)

(73) Assignees: **CITIZEN ELECTRONICS CO., LTD.**, Yamanashi-Ken (JP); **CITIZEN WATCH CO., LTD.**, Tokyo (JP)

(**) Term: **15 Years**

(21) Appl. No.: **29/559,228**

(22) Filed: **Mar. 25, 2016**

Related U.S. Application Data

(62) Division of application No. 29/493,342, filed on Jun. 9, 2014, now Pat. No. Des. 757,661.

(30) **Foreign Application Priority Data**

Dec. 12, 2013 (JP) 2013-029167
Dec. 12, 2013 (JP) 2013-029168
Dec. 12, 2013 (JP) 2013-029169
Dec. 12, 2013 (JP) 2013-029170
Dec. 12, 2013 (JP) 2013-029177
Dec. 12, 2013 (JP) 2013-029178

(51) **LOC (10) Cl.** **13-03**

(52) **U.S. Cl.**
USPC **D13/171**

(58) **Field of Classification Search**
USPC D13/158, 171
CPC H01H 13/48; H01H 13/52; H01H 13/64;
H01H 15/102; H01H 15/20
See application file for complete search history.

(56) **References Cited**

U.S. PATENT DOCUMENTS

6,018,132 A 1/2000 Chen
6,495,783 B2 12/2002 Rochon
7,022,928 B2 4/2006 Watanabe
7,525,059 B2 4/2009 Masuda
7,547,858 B2 6/2009 Nagata
D613,253 S 4/2010 Yamanaka
D625,271 S 10/2010 Yamanaka
D627,742 S 11/2010 Yamanaka
8,115,130 B2 2/2012 Kikuchi
8,124,902 B2 2/2012 Watanabe
8,507,818 B2 8/2013 Kwak
9,142,368 B2 9/2015 Watanabe

(Continued)

Primary Examiner — Selina Sikder

(74) *Attorney, Agent, or Firm* — Wenderoth, Lind & Ponack, L.L.P.

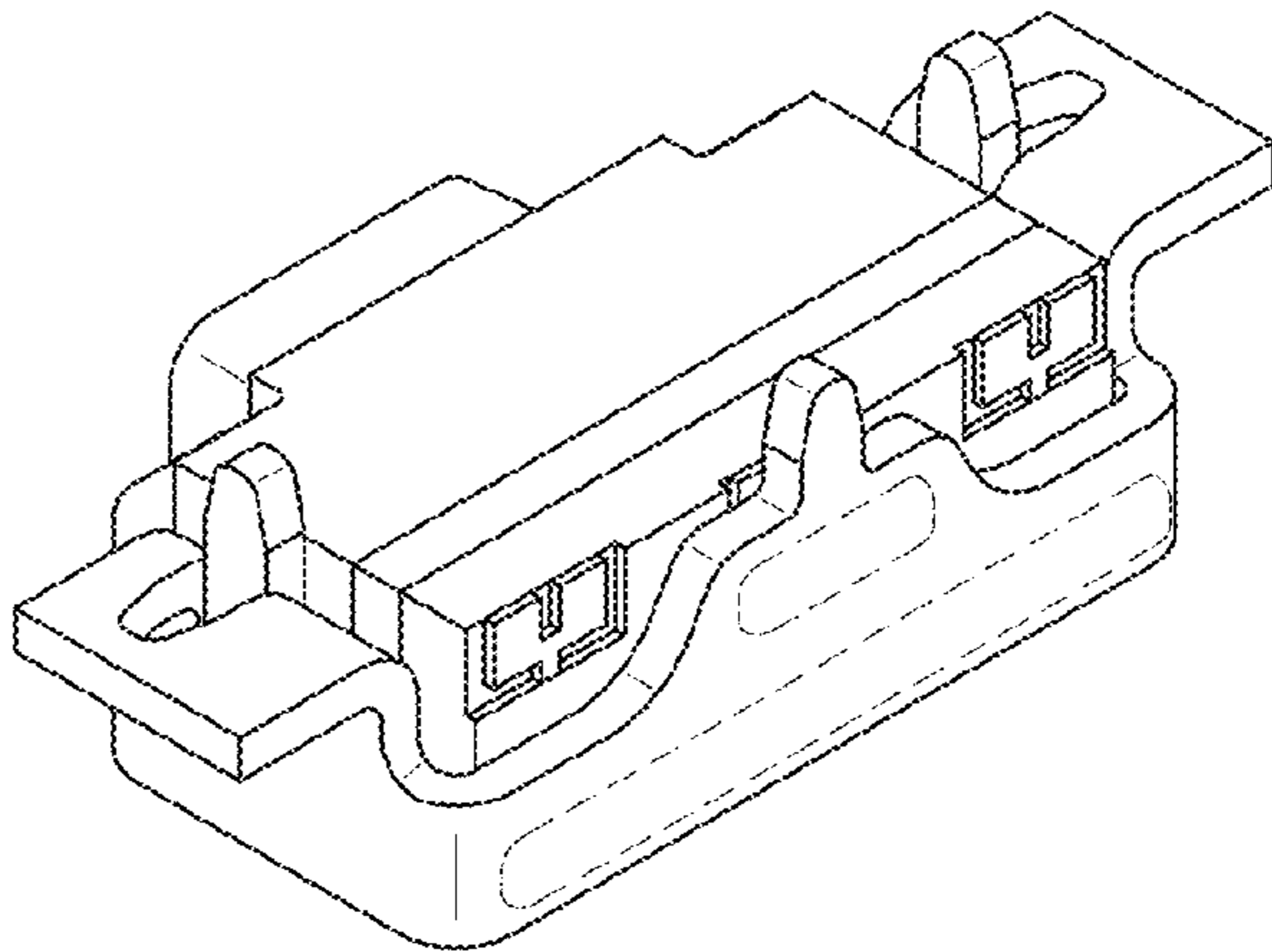
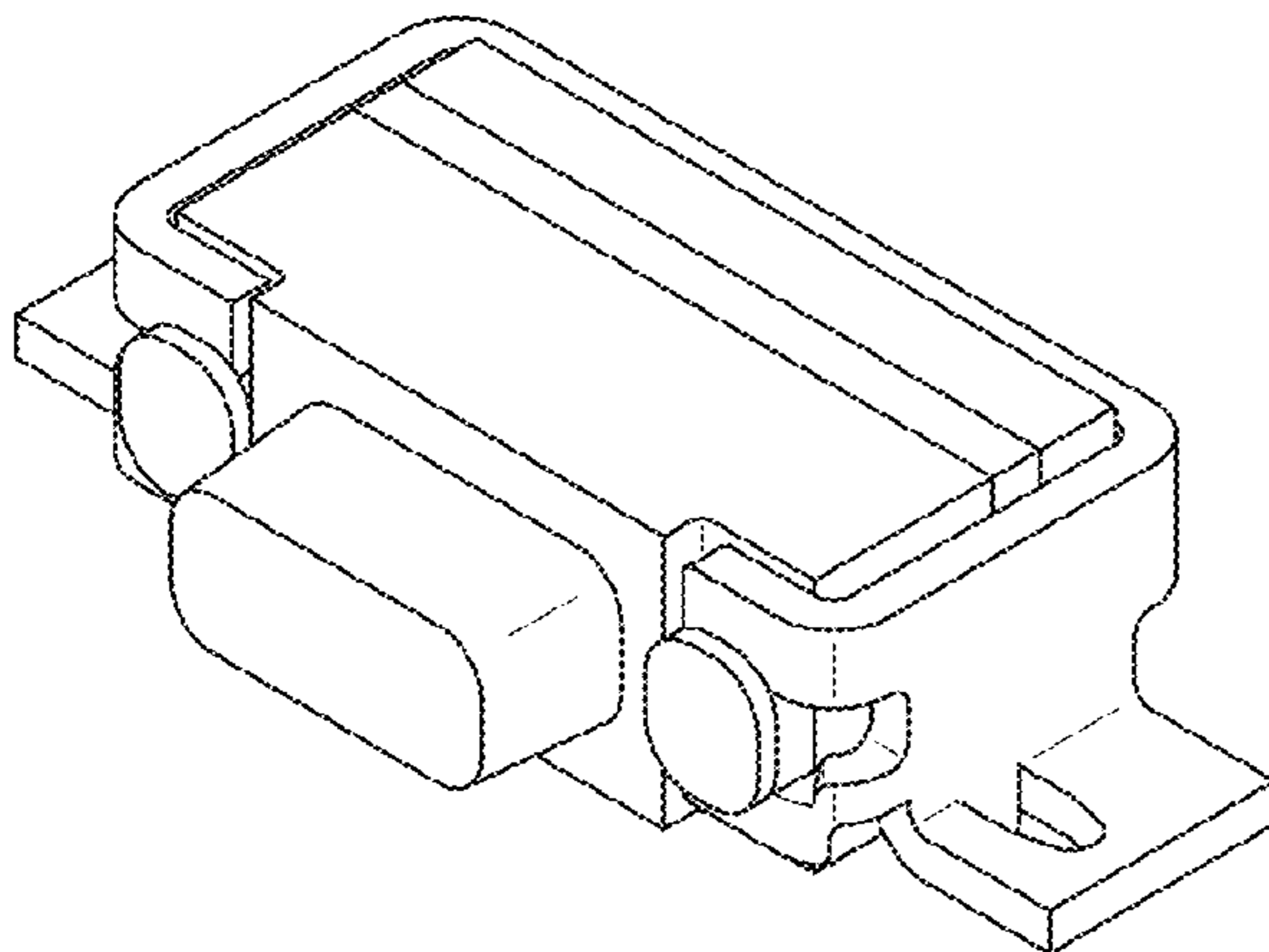
(57) **CLAIM**

The ornamental design for a push switch, as shown and described.

DESCRIPTION

FIG. 1 is a top perspective view of a push switch showing an upper surface with front and right side surfaces; FIG. 2 is a bottom perspective view thereof showing a bottom surface with rear and left side surfaces; FIG. 3 is a front view thereof; FIG. 4 is a rear view thereof; FIG. 5 is a top plan view thereof; FIG. 6 is a bottom plan view thereof; and, FIG. 7 is a left side view thereof, a right side view being a mirror image of FIG. 7.
The broken lines shown depict environmental subject matter only and form no part of the claimed design.

1 Claim, 4 Drawing Sheets



(56)

References Cited

U.S. PATENT DOCUMENTS

D757,661 S *	5/2016	Amano	D13/171
2001/0013466 A1	8/2001	Yanai	
2006/0037851 A1	2/2006	Hu	
2006/0065514 A1	3/2006	Toyama	
2009/0201655 A1	8/2009	Watanabe	
2010/0032271 A1	2/2010	Maehara	

* cited by examiner

Fig. 1

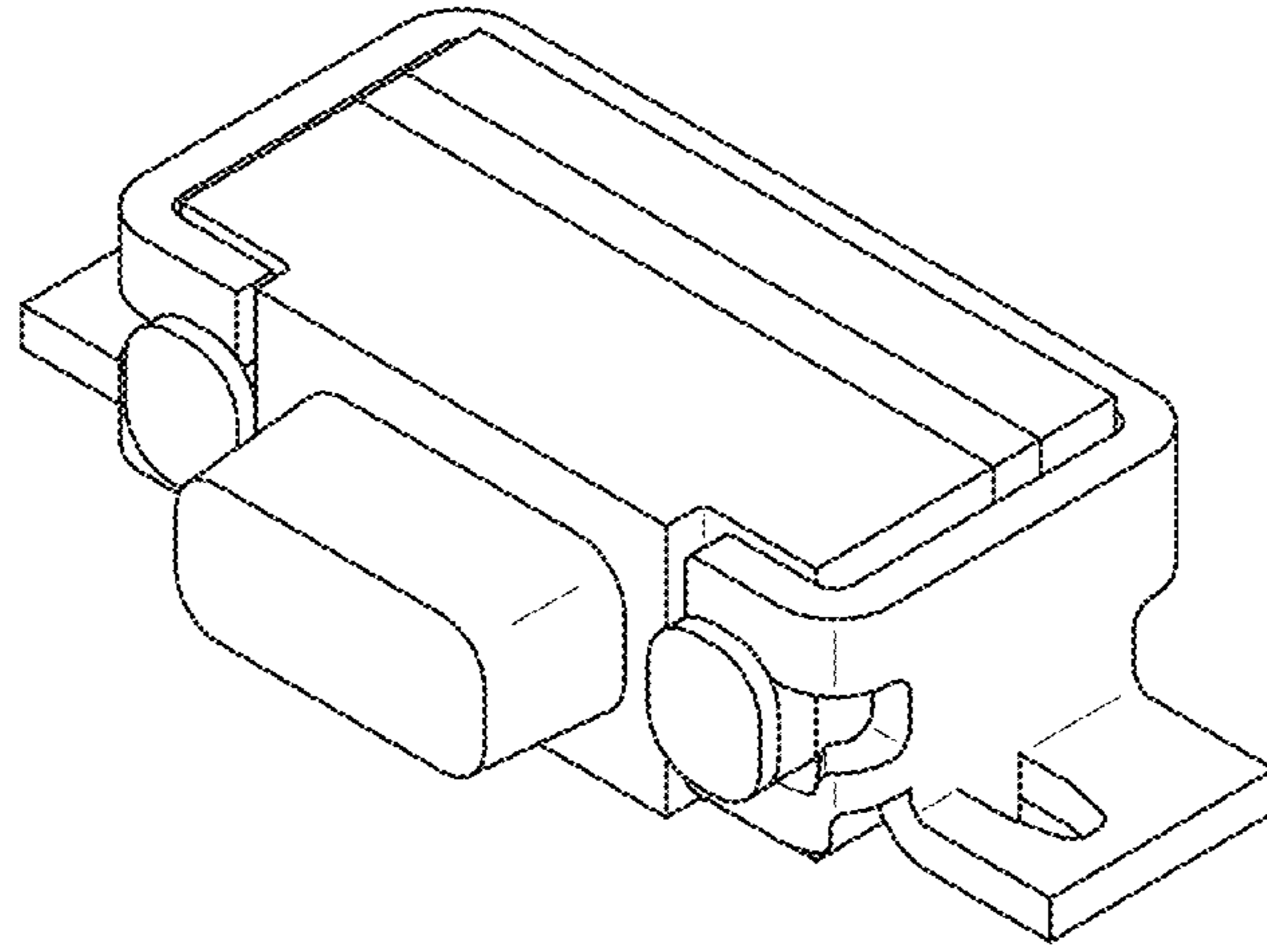


Fig. 2

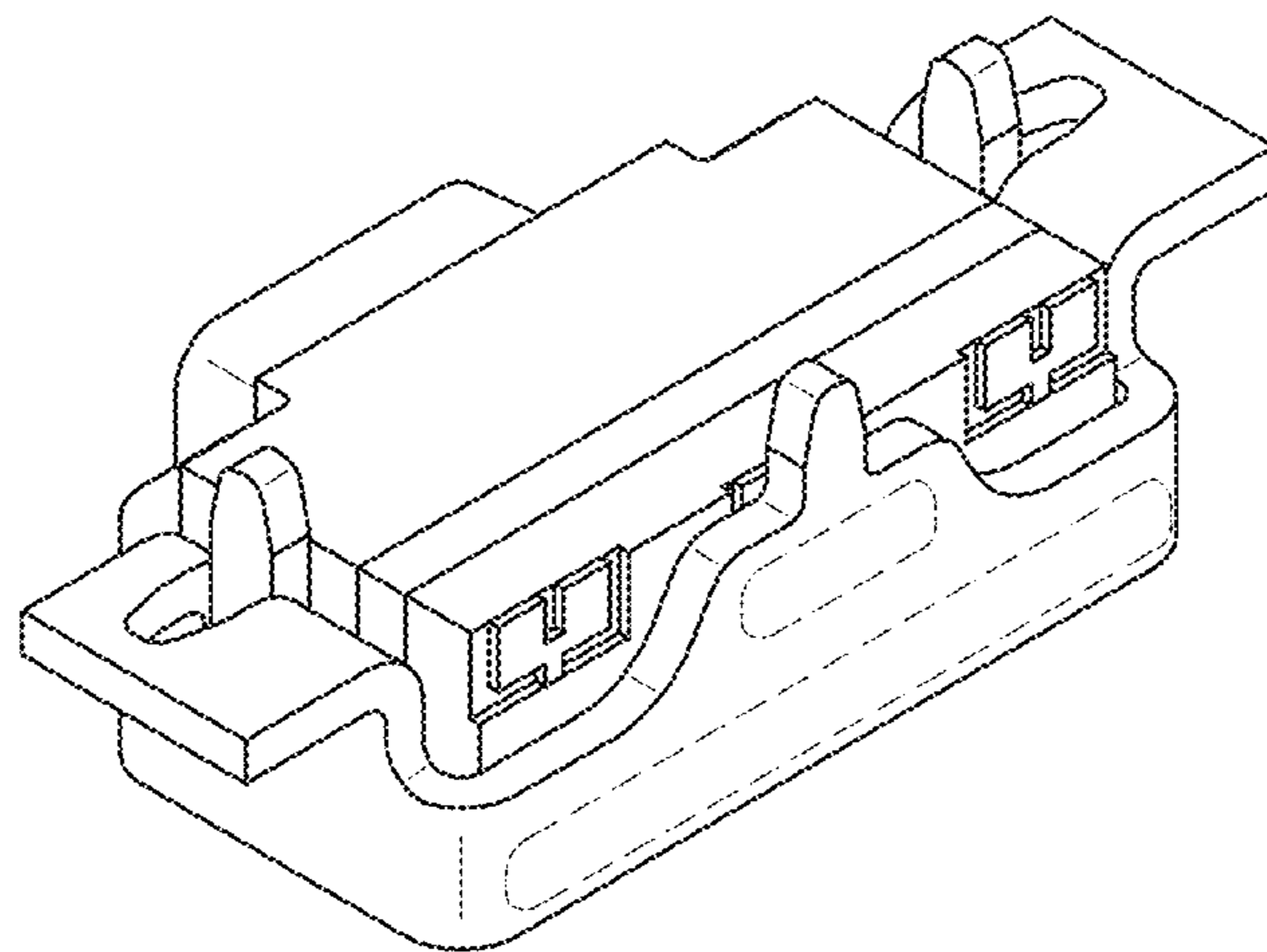


Fig. 3

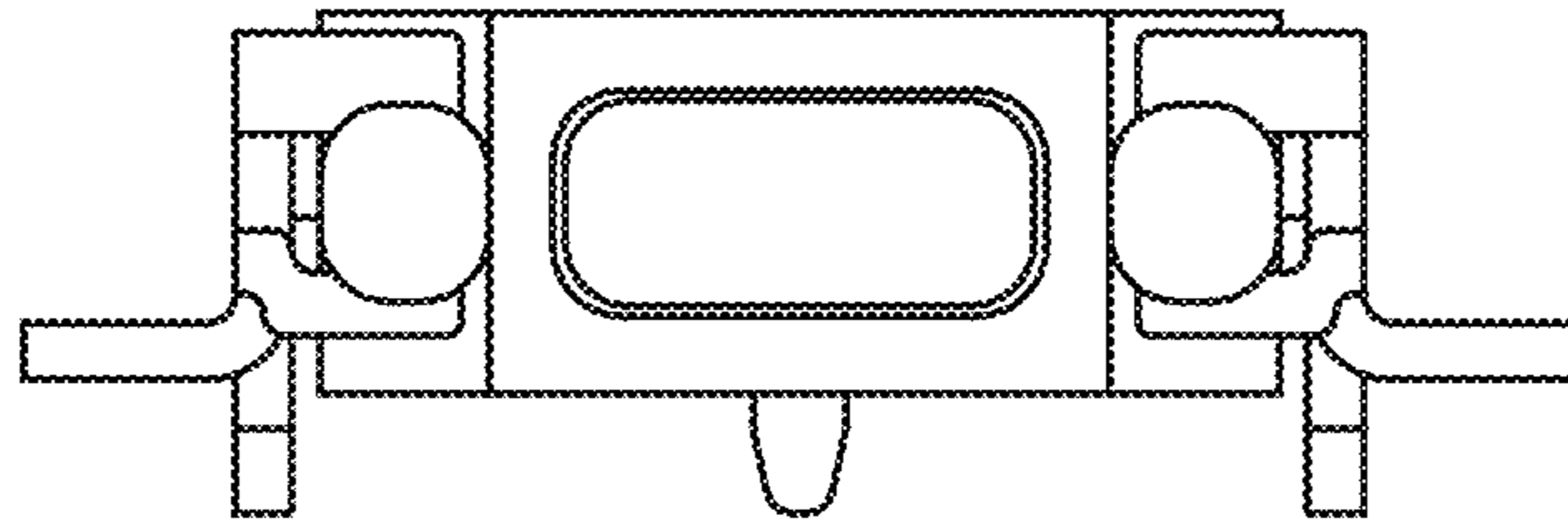


Fig. 4

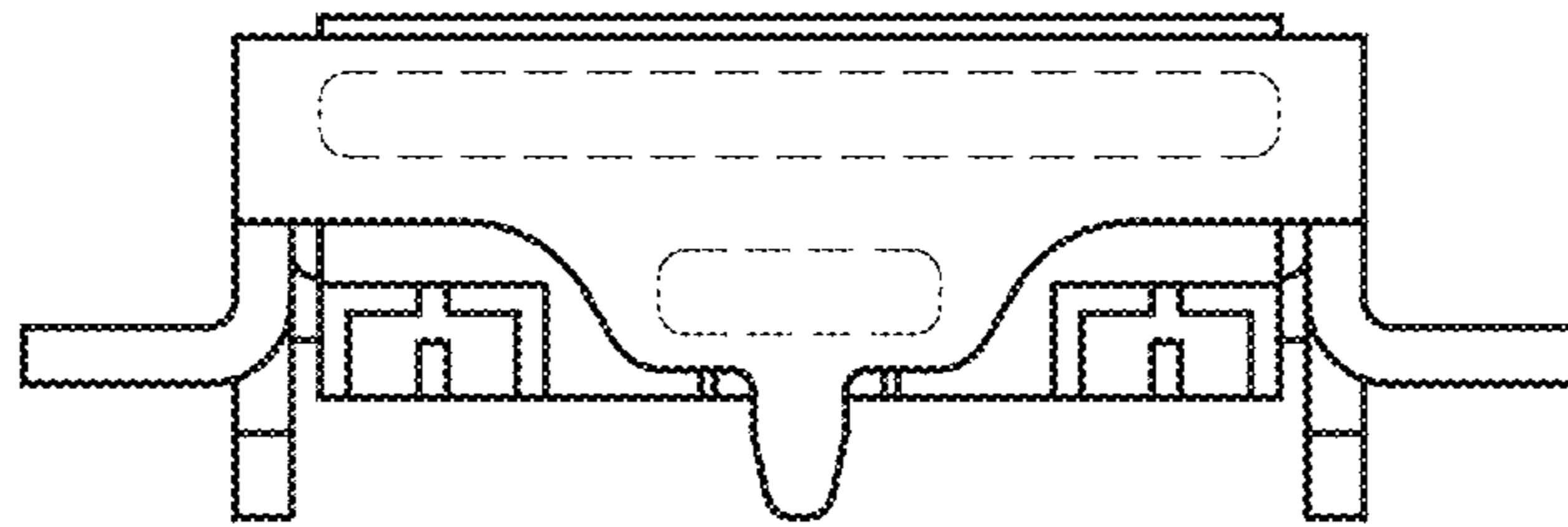


Fig. 5

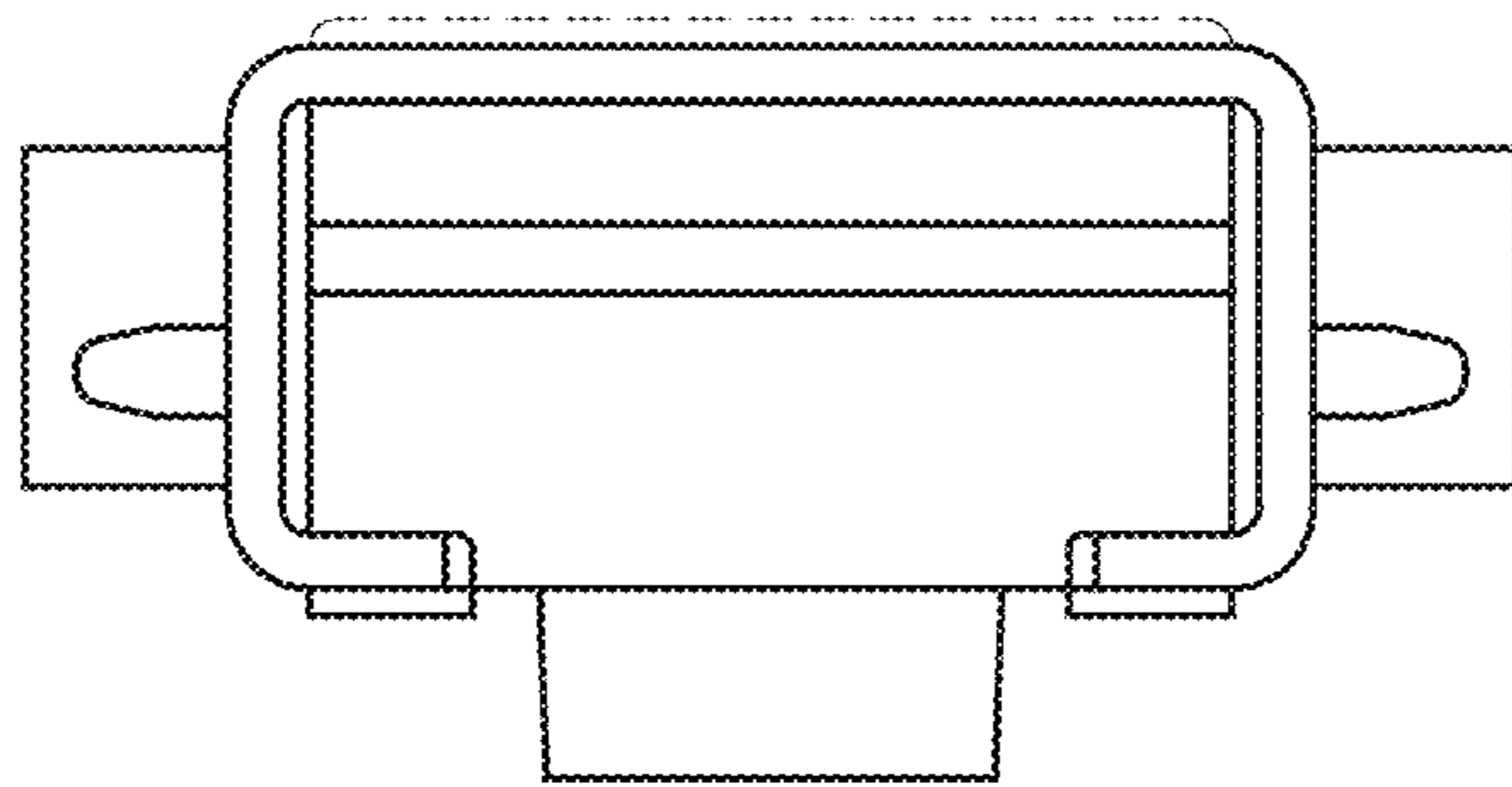


Fig. 6

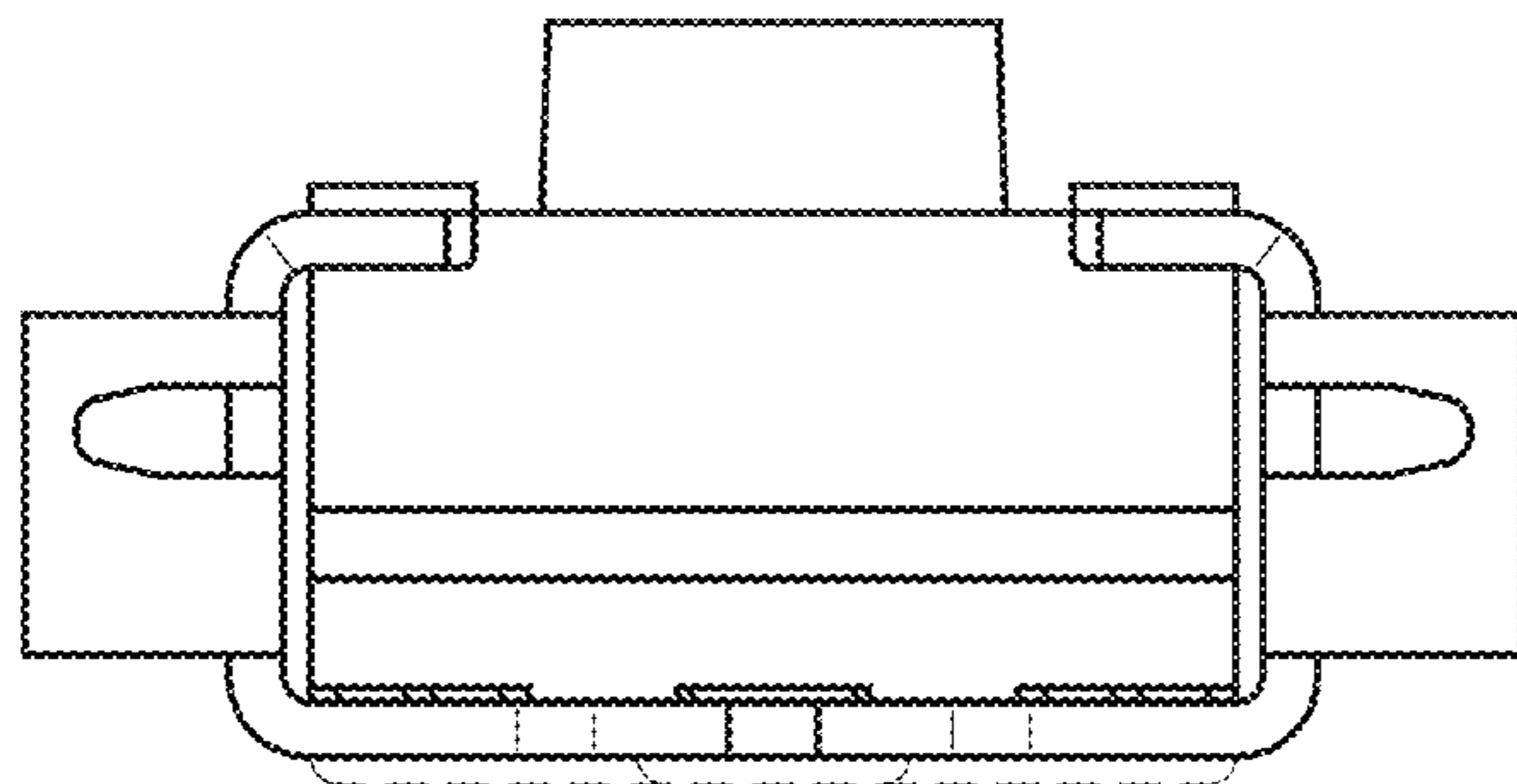
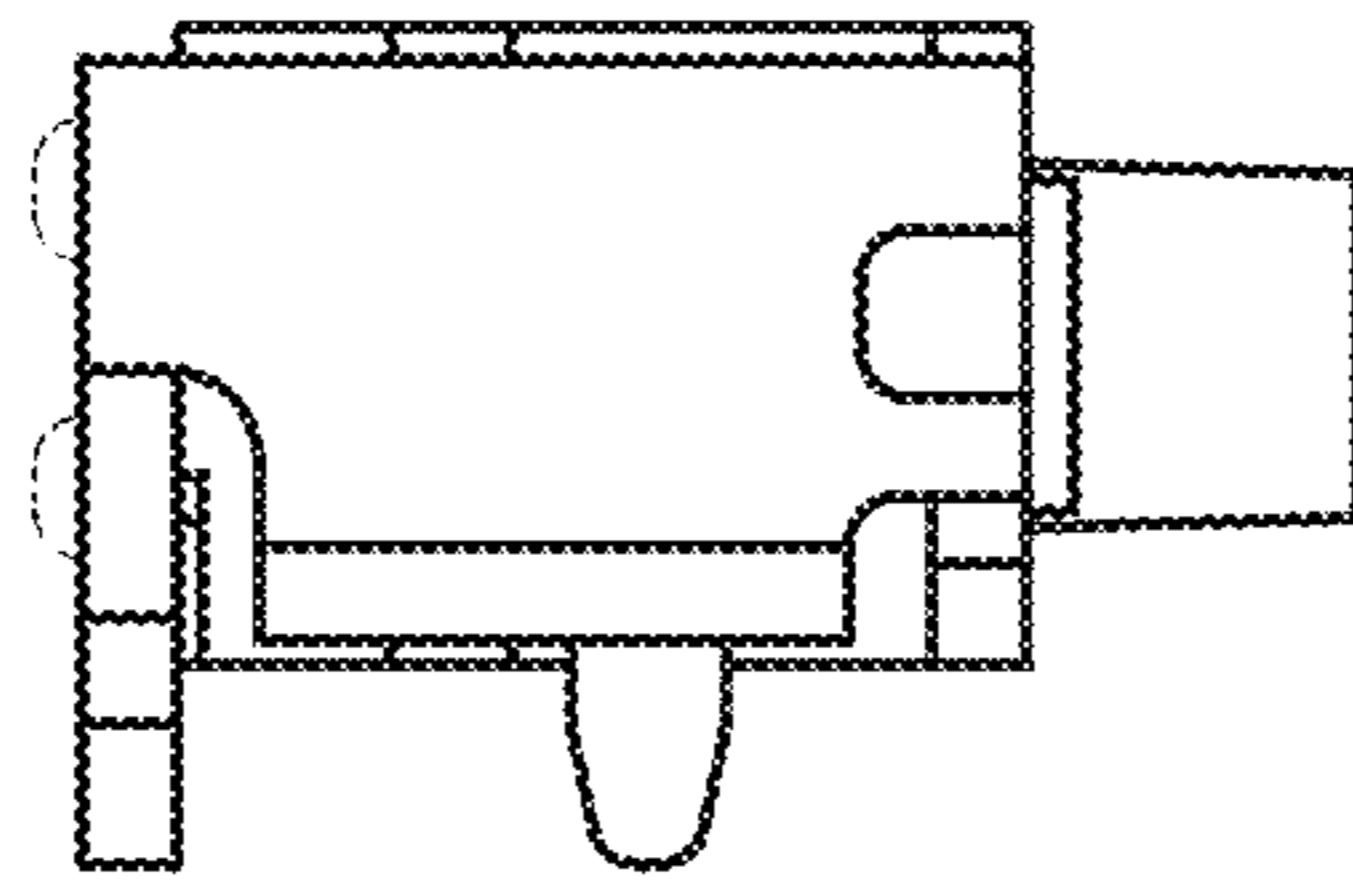


Fig. 7



UNITED STATES PATENT AND TRADEMARK OFFICE
CERTIFICATE OF CORRECTION

PATENT NO. : D777,691 S
APPLICATION NO. : 29/559228
DATED : January 31, 2017
INVENTOR(S) : Toyohiko Amano

Page 1 of 1

It is certified that error appears in the above-identified patent and that said Letters Patent is hereby corrected as shown below:

On the Title Page

In Item (71) Applicants, please replace "CITIZEN HOLDINGS CO., LTD." with
--CITIZEN WATCH CO., LTD.--.

Signed and Sealed this
First Day of August, 2017



Joseph Matal
*Performing the Functions and Duties of the
Under Secretary of Commerce for Intellectual Property and
Director of the United States Patent and Trademark Office*