



US00D777690S

(12) **United States Design Patent**  
**Amano**

(10) **Patent No.:** **US D777,690 S**  
(45) **Date of Patent:** **\*\* Jan. 31, 2017**

(54) **PUSH SWITCH**

(71) Applicants: **CITIZEN ELECTRONICS CO., LTD.**, Yamanashi-ken (JP); **CITIZEN HOLDINGS CO., LTD.**, Tokyo (JP)

(72) Inventor: **Toyohiko Amano**, Yamanashi-ken (JP)

(73) Assignees: **CITIZEN ELECTRONICS CO., LTD.**, Yamanashi-Ken (JP); **CITIZEN WATCH CO., LTD.**, Tokyo (JP)

(\*\*) Term: **15 Years**

(21) Appl. No.: **29/559,225**

(22) Filed: **Mar. 25, 2016**

**Related U.S. Application Data**

(62) Division of application No. 29/493,342, filed on Jun. 9, 2014, now Pat. No. Des. 757,661.

(30) **Foreign Application Priority Data**

Dec. 12, 2013 (JP) ..... 2013-029167  
Dec. 12, 2013 (JP) ..... 2013-029168  
(Continued)

(51) **LOC (10) Cl.** ..... **13-03**

(52) **U.S. Cl.**  
USPC ..... **D13/171**

(58) **Field of Classification Search**  
USPC ..... D13/158, 171  
(Continued)

(56) **References Cited**

**U.S. PATENT DOCUMENTS**

6,018,132 A 1/2000 Chen  
6,495,783 B2 12/2002 Rochon  
(Continued)

*Primary Examiner* — Selina Sikder

(74) *Attorney, Agent, or Firm* — Wenderoth, Lind & Ponack, L.L.P.

(57) **CLAIM**

The ornamental design for a push switch, as shown and described.

**DESCRIPTION**

FIG. 1 is a top perspective view of a first embodiment of a push switch showing an upper surface with front and right side surfaces;

FIG. 2 is a bottom perspective view thereof showing a bottom surface with rear and left side surfaces;

FIG. 3 is a front view thereof;

FIG. 4 is a rear view thereof;

FIG. 5 is a top plan view thereof;

FIG. 6 is a bottom plan view thereof;

FIG. 7 is a left side view thereof, a right side view being a mirror image of FIG. 7;

FIG. 8 is a top perspective view of a second embodiment of a push switch showing an upper surface with front and right side surfaces;

FIG. 9 is a bottom perspective view thereof showing a bottom surface with rear and left side surfaces;

FIG. 10 is a front view thereof;

FIG. 11 is a rear view thereof;

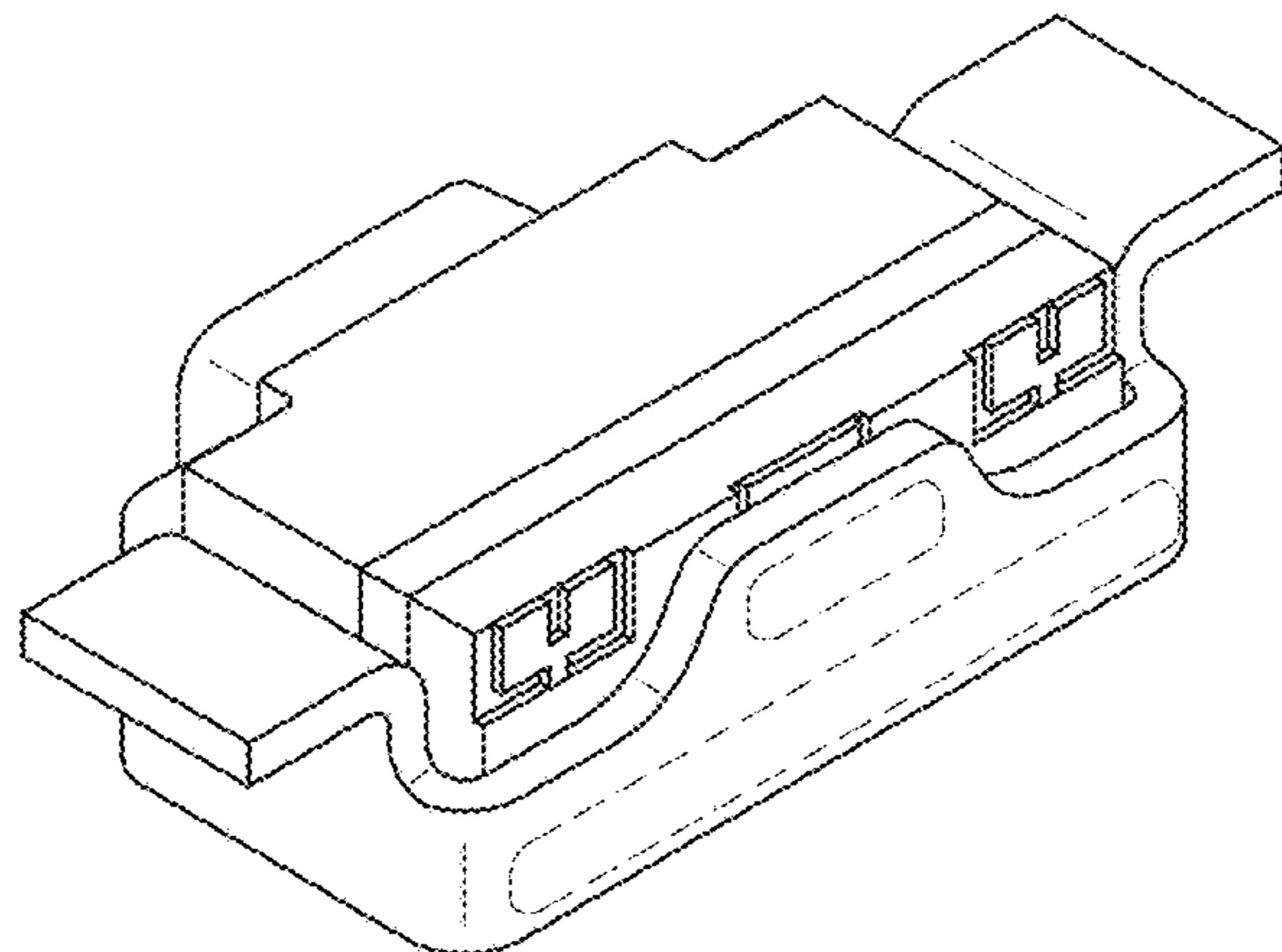
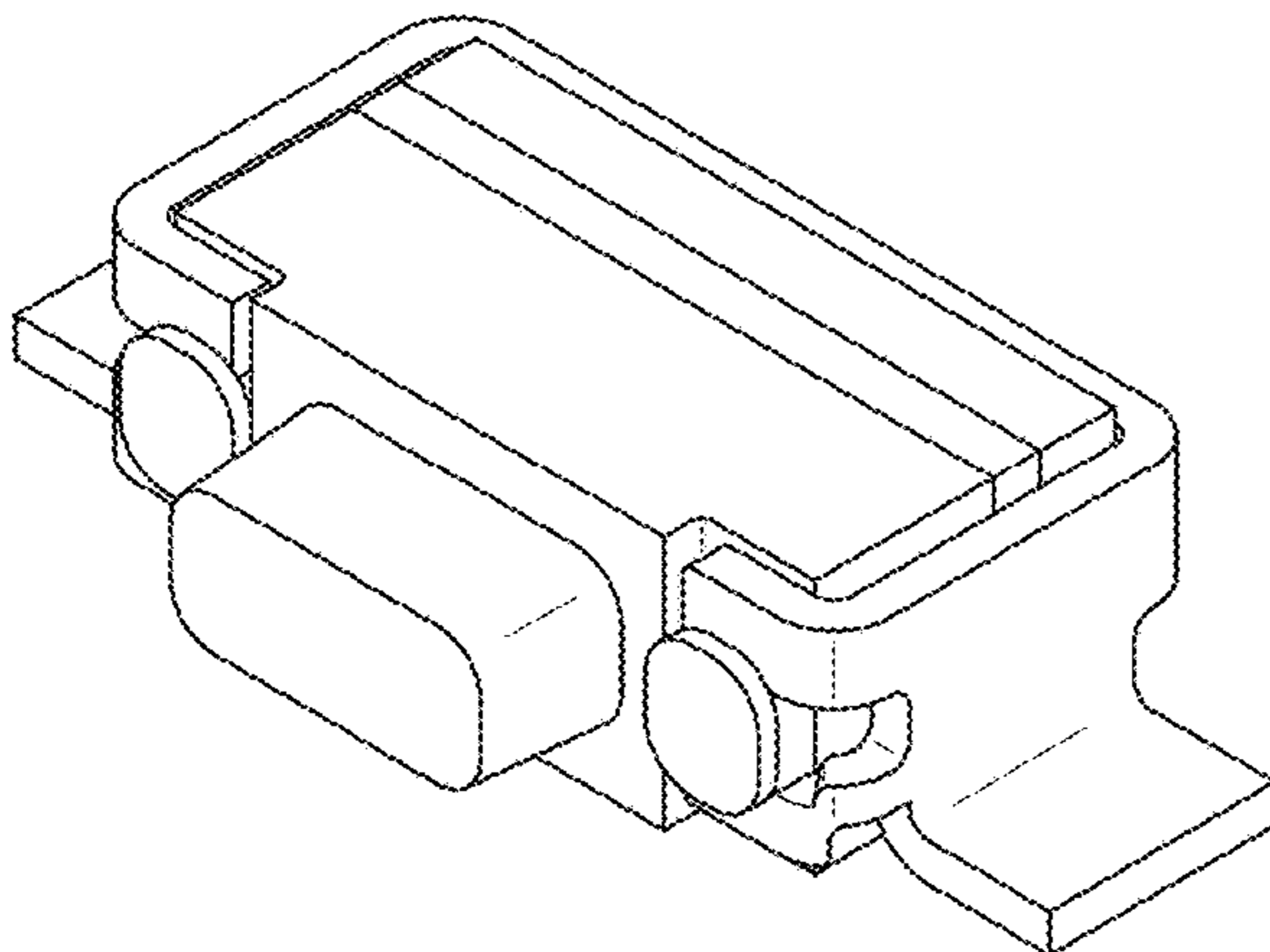
FIG. 12 is a top plan view thereof;

FIG. 13 is a bottom plan view thereof; and,

FIG. 14 is a left side view thereof, a right side view being a mirror image of FIG. 14.

The broken lines shown depict environmental subject matter only and form no part of the claimed design.

**1 Claim, 8 Drawing Sheets**



(30) **Foreign Application Priority Data**

Dec. 12, 2013 (JP) ..... 2013-029169  
Dec. 12, 2013 (JP) ..... 2013-029170  
Dec. 12, 2013 (JP) ..... 2013-029177  
Dec. 12, 2013 (JP) ..... 2013-029178

(58) **Field of Classification Search**

CPC ..... H01H 13/48; H01H 13/52; H01H 13/64;  
H01H 15/102; H01H 15/20

See application file for complete search history.

(56) **References Cited**

U.S. PATENT DOCUMENTS

7,022,928 B2 4/2006 Watanabe  
7,525,059 B2 4/2009 Masuda  
7,547,858 B2 6/2009 Nagata  
D613,253 S 4/2010 Yamanaka  
D625,271 S 10/2010 Yamanaka  
D627,742 S 11/2010 Yamanaka  
8,115,130 B2 2/2012 Kikuchi  
8,124,902 B2 2/2012 Watanabe  
8,507,818 B2 8/2013 Kwak  
9,142,368 B2 9/2015 Watanabe  
D757,661 S \* 5/2016 Amano ..... D13/171  
2001/0013466 A1 8/2001 Yanai  
2006/0037851 A1 2/2006 Hu  
2006/0065514 A1 3/2006 Toyama  
2009/0201655 A1 8/2009 Watanabe  
2010/0032271 A1 2/2010 Maehara

\* cited by examiner

Fig. 1

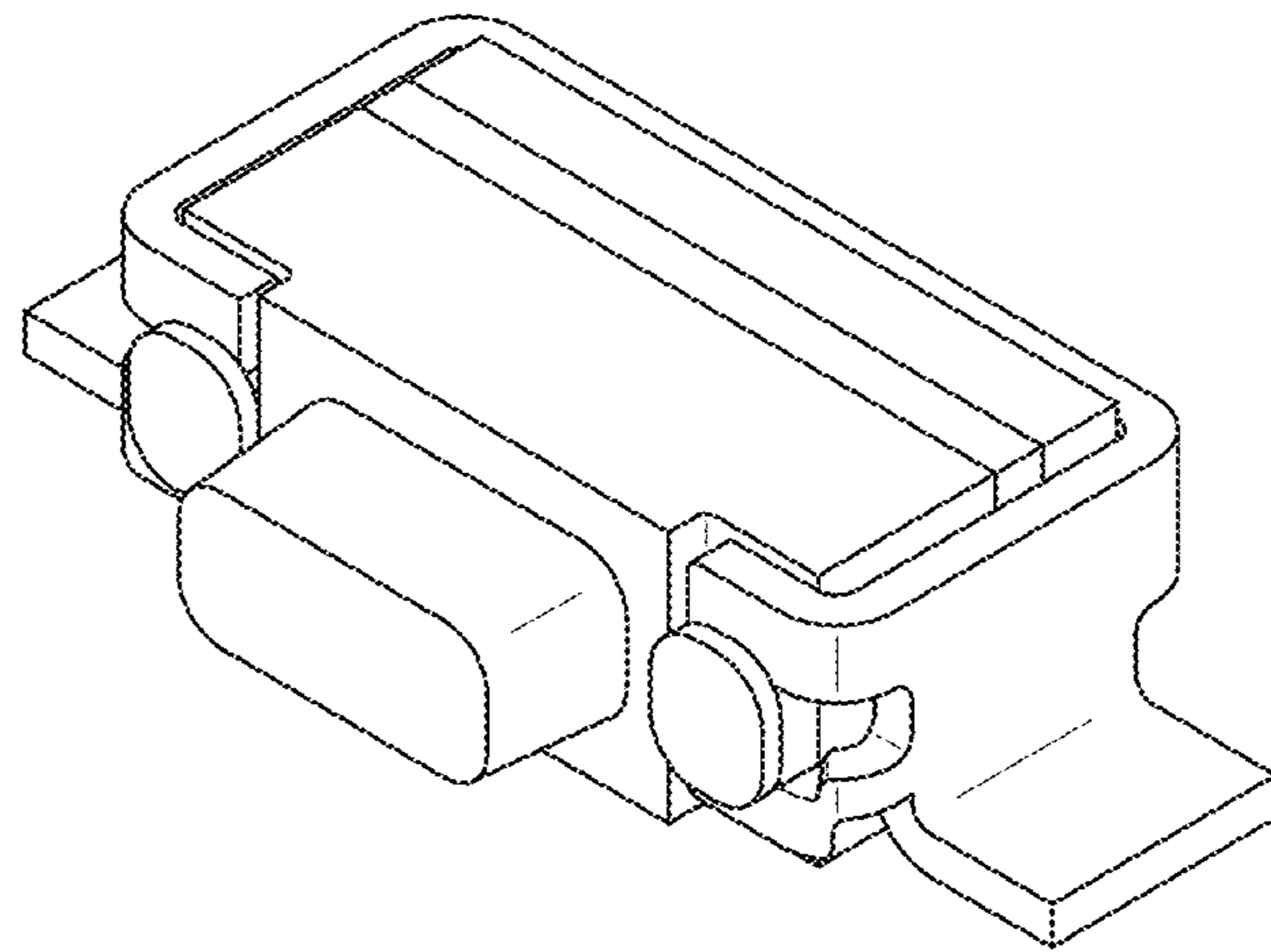


Fig. 2

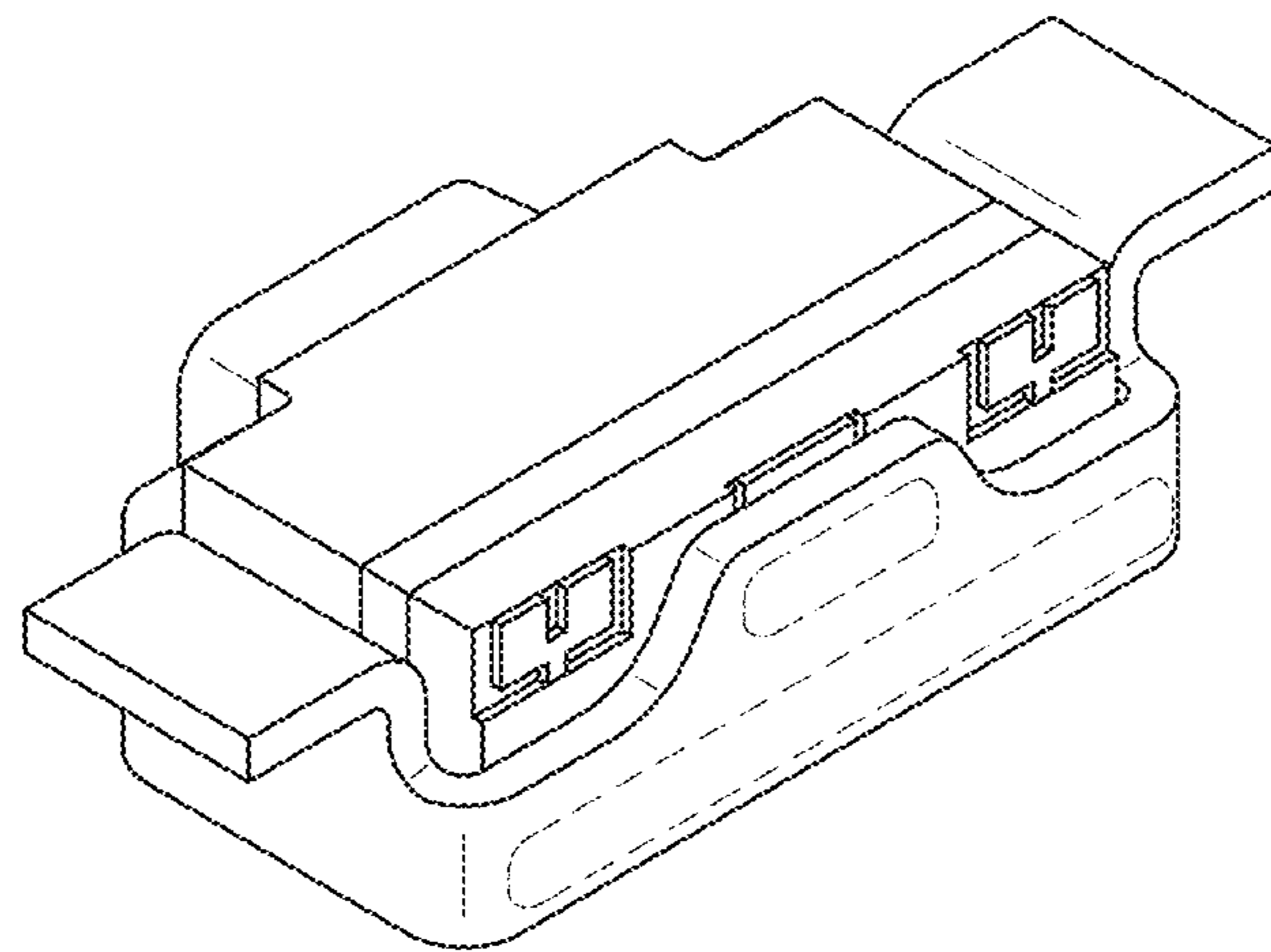


Fig. 3

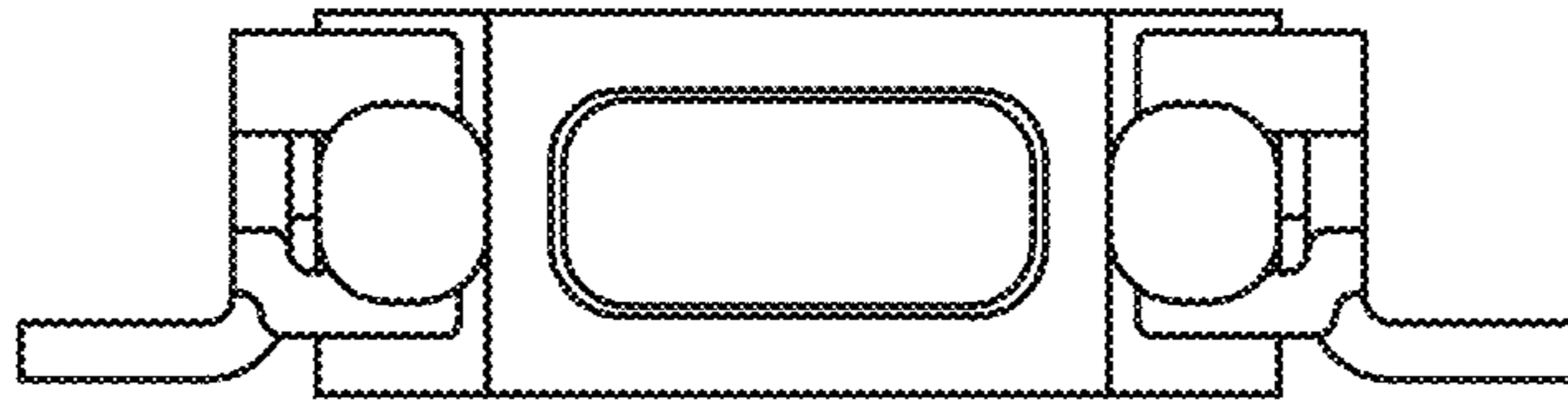


Fig. 4

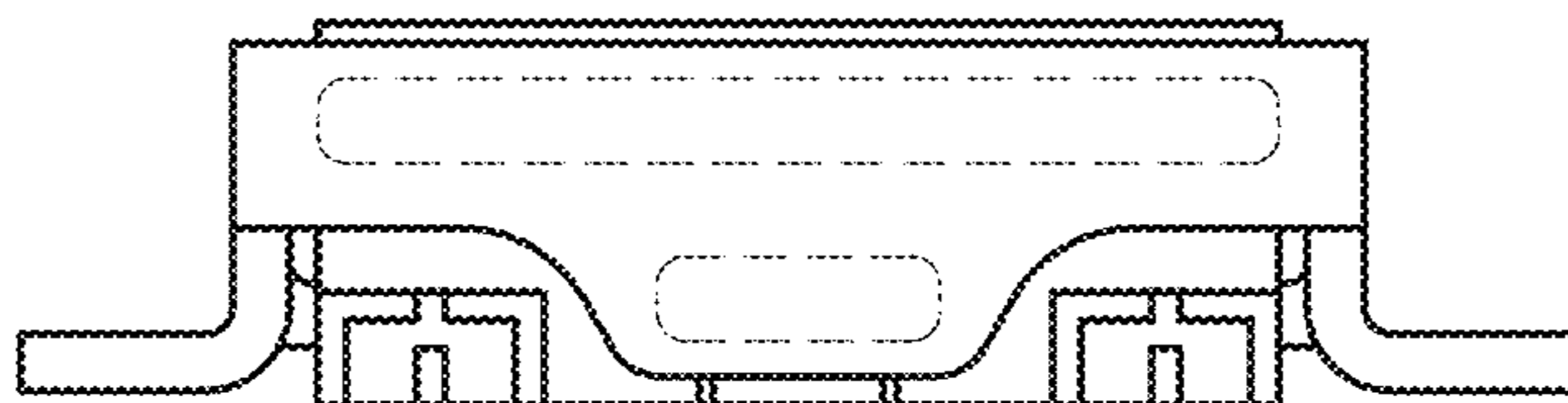


Fig. 5

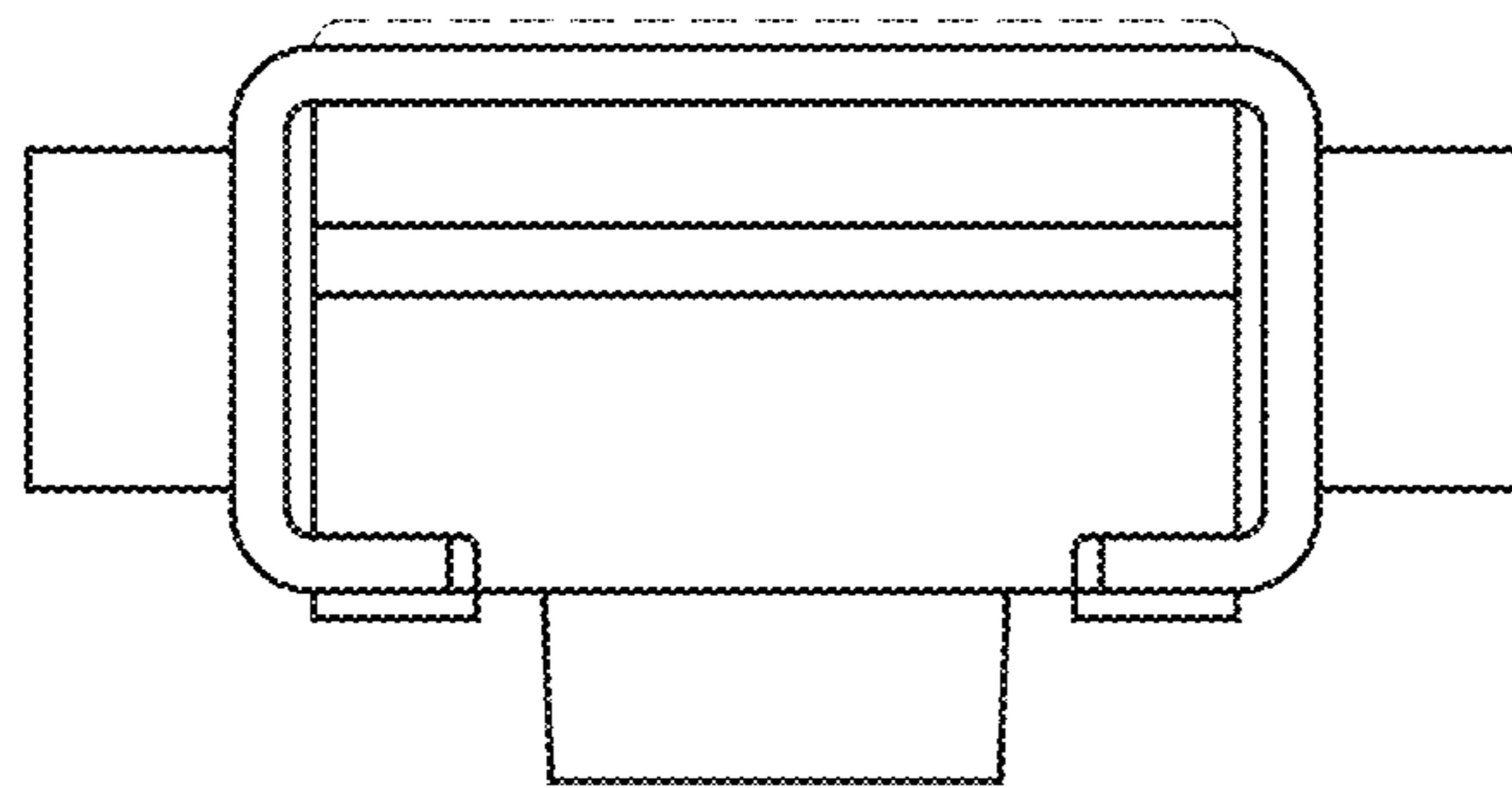


Fig. 6

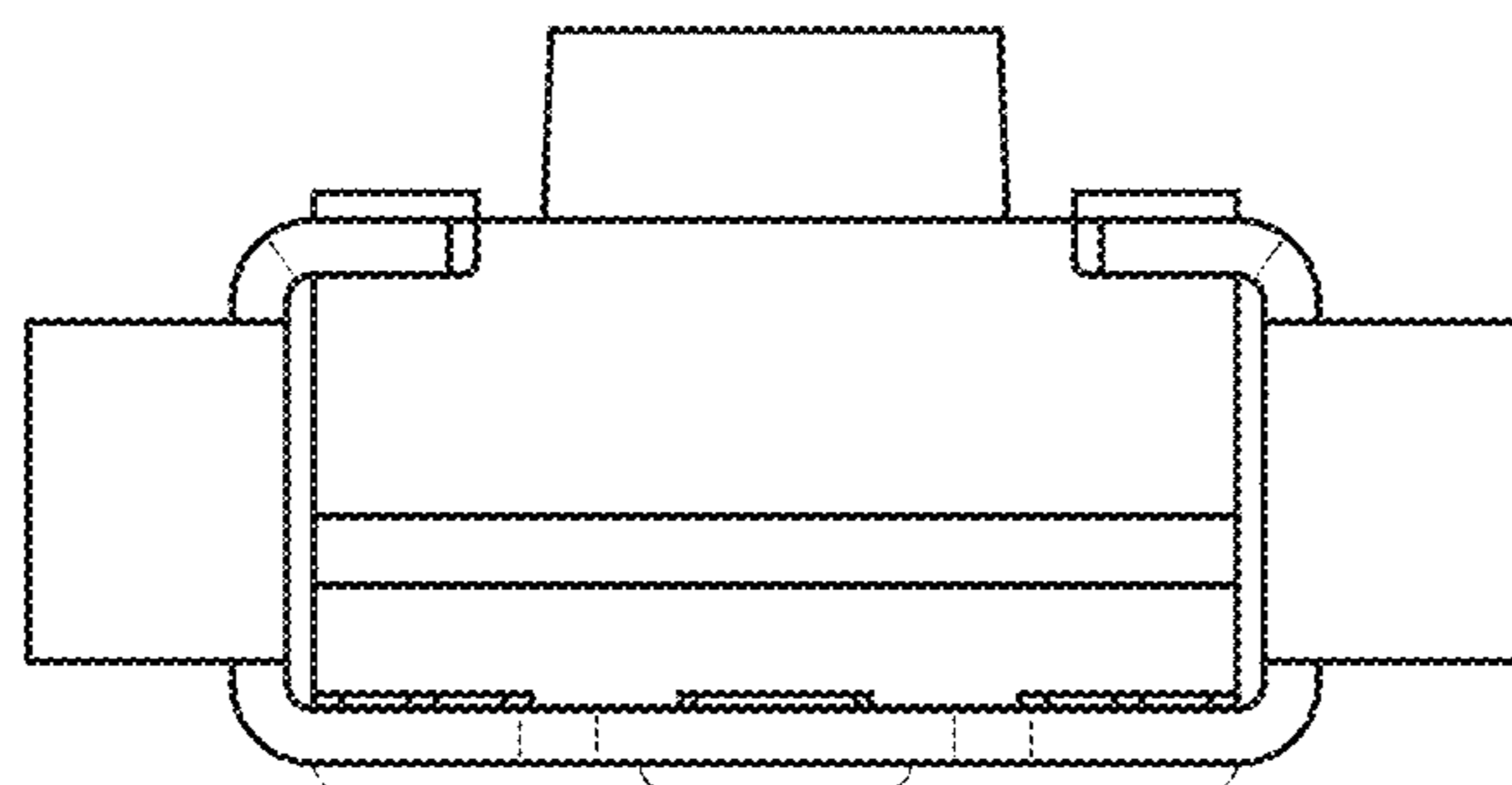


Fig. 7

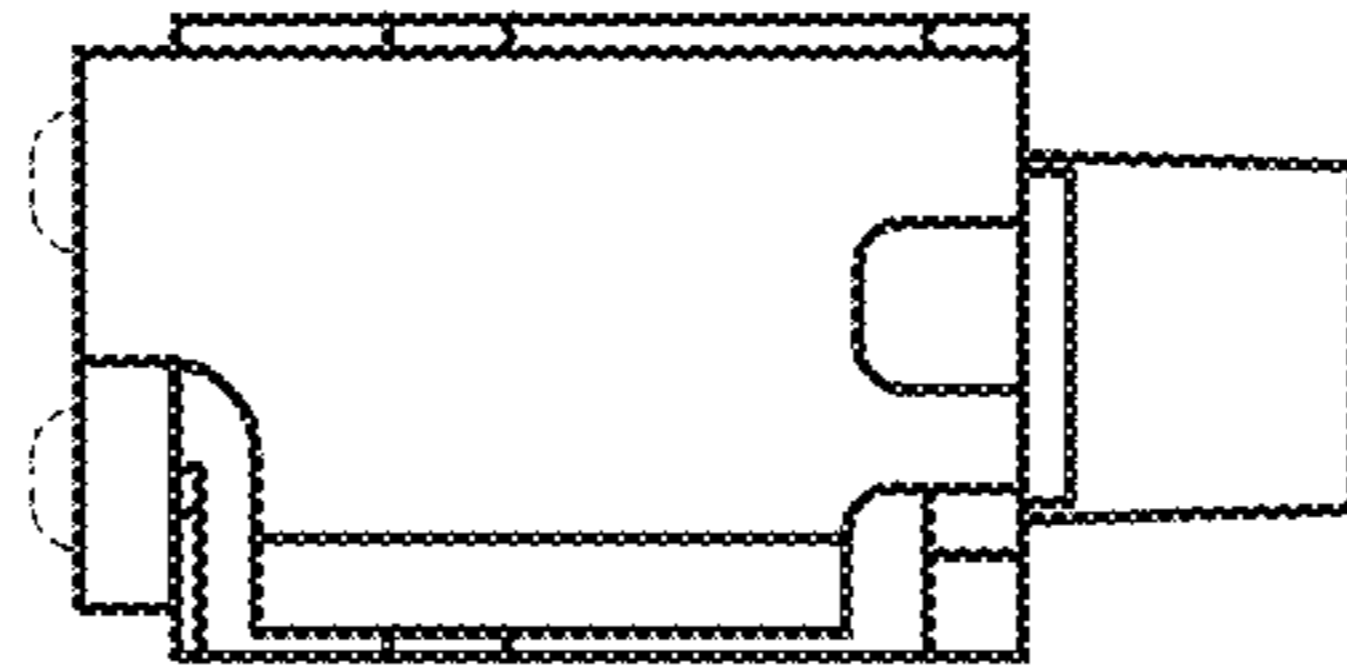


Fig. 8

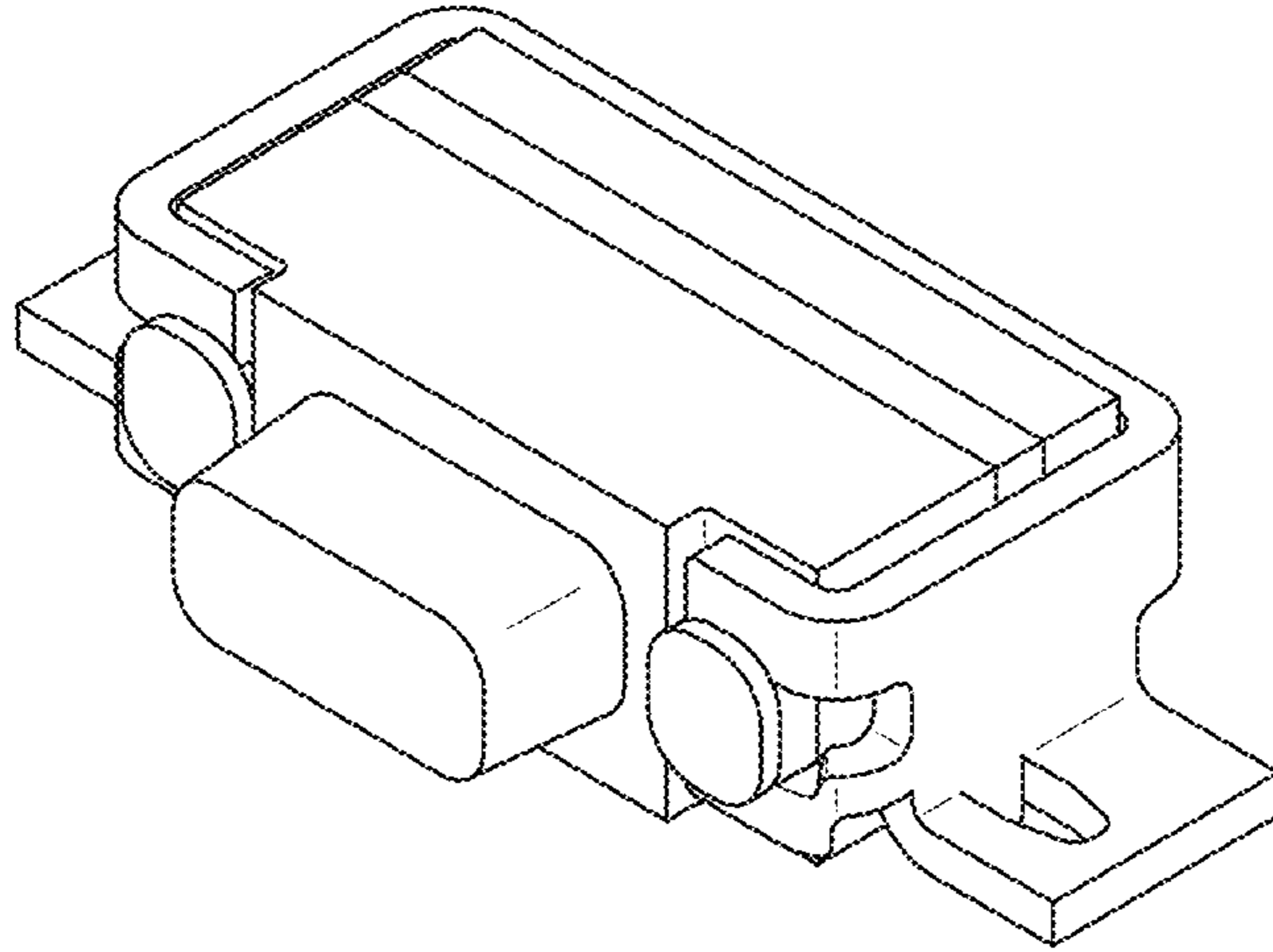


Fig. 9

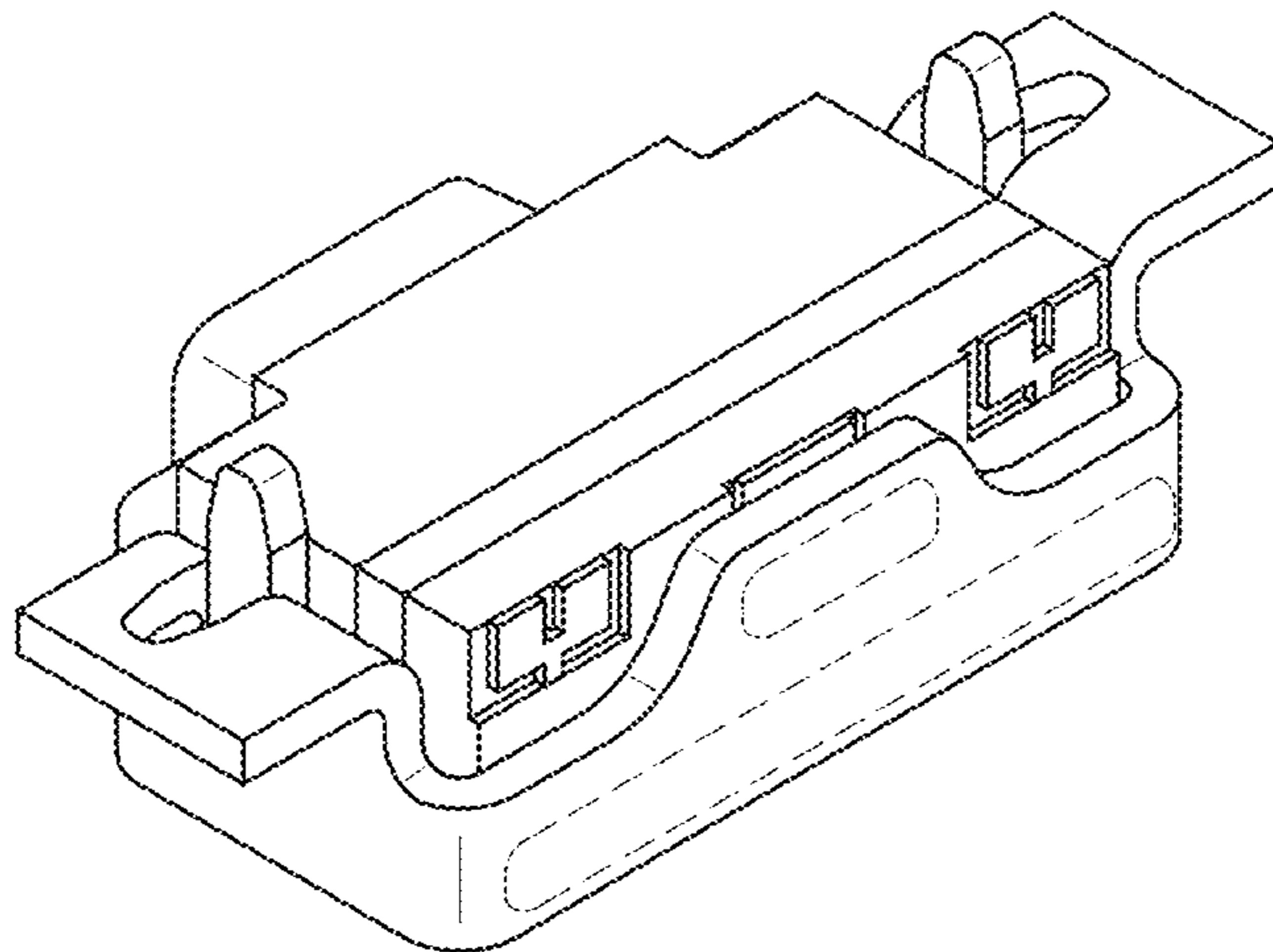


Fig. 10

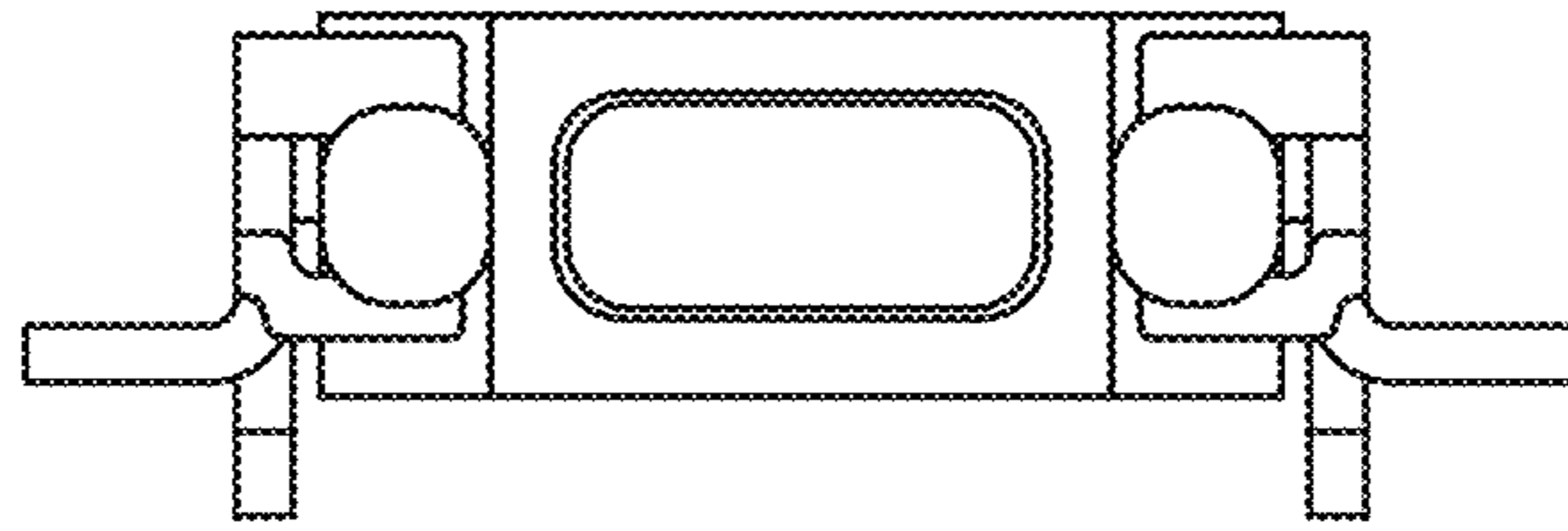


Fig. 11

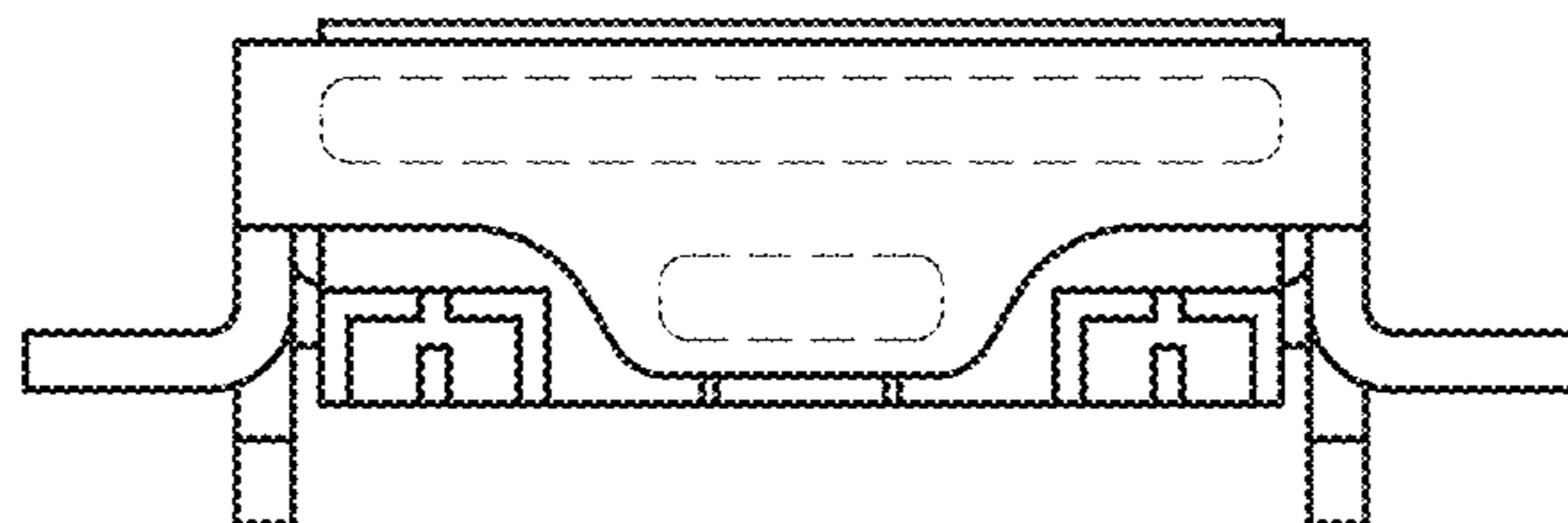




Fig. 12

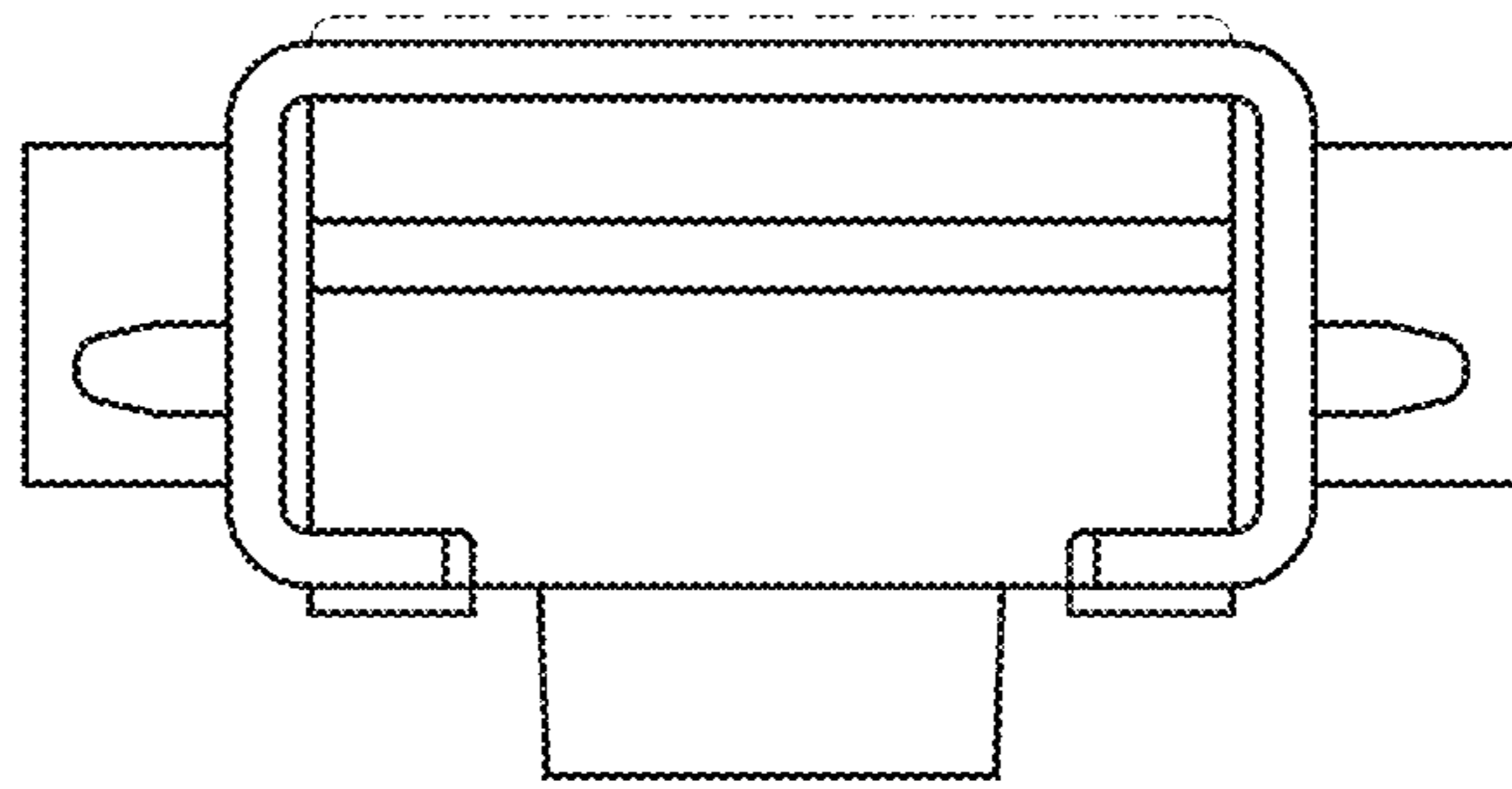


Fig. 13

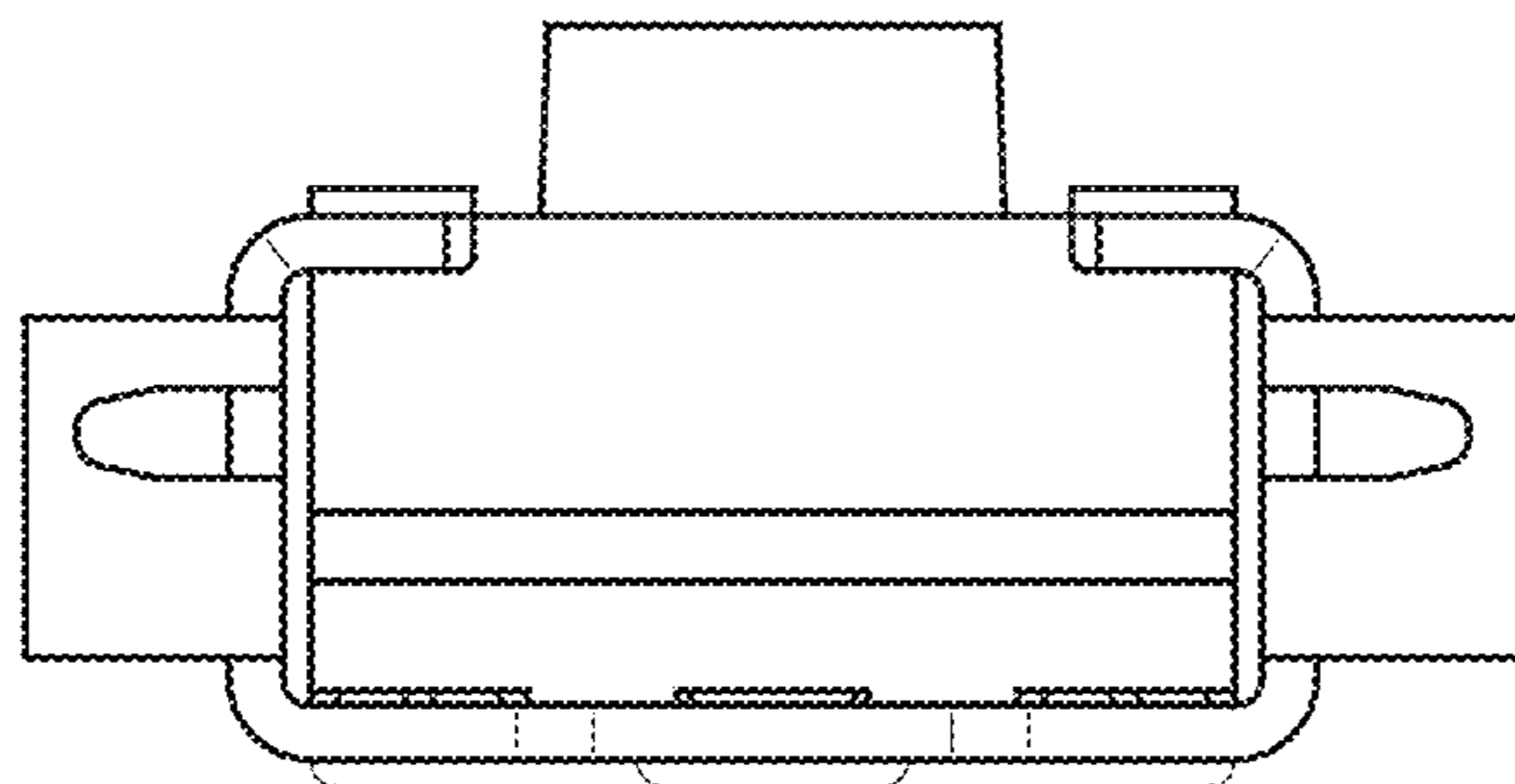
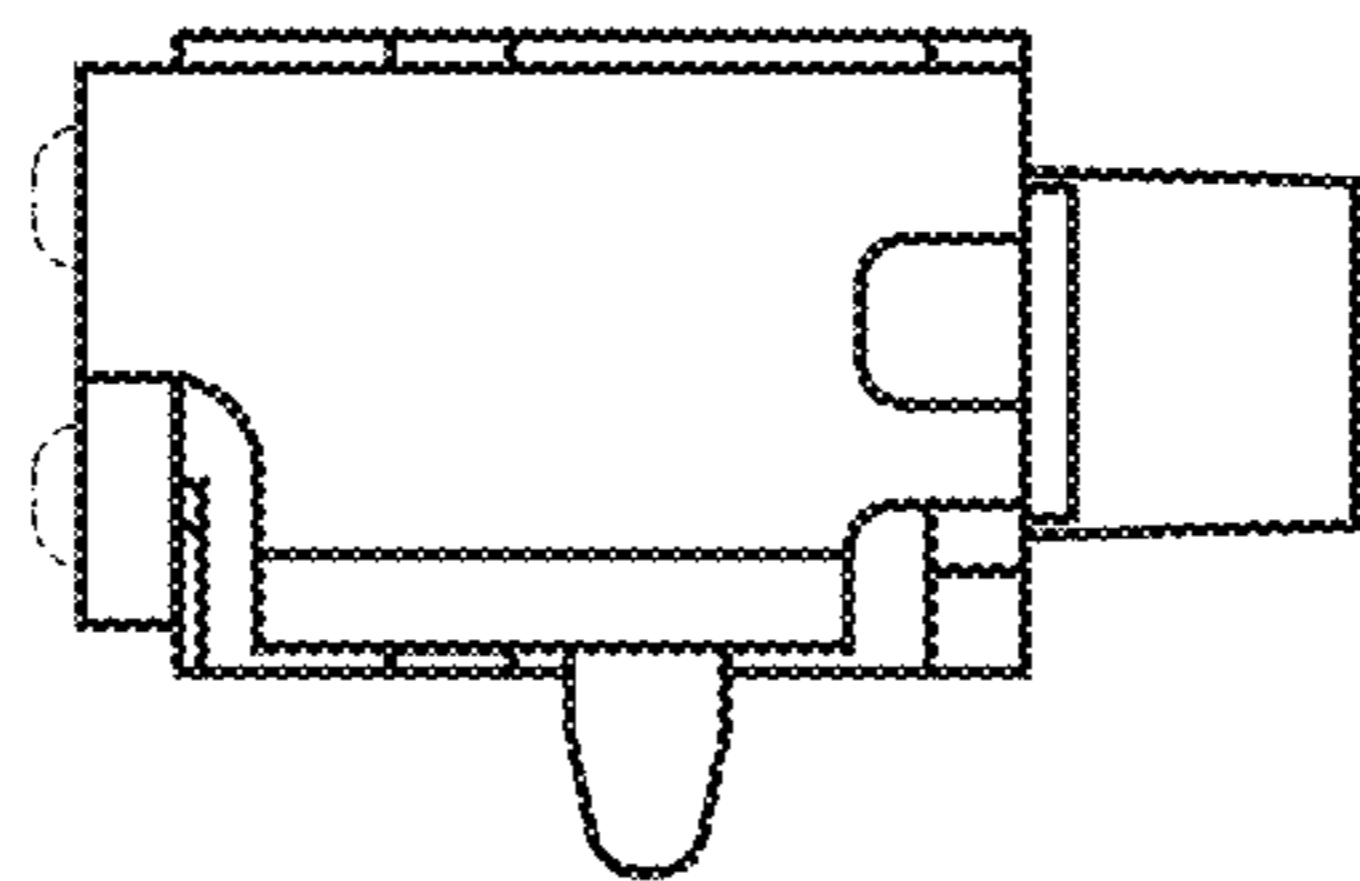


Fig. 14



UNITED STATES PATENT AND TRADEMARK OFFICE  
**CERTIFICATE OF CORRECTION**

PATENT NO. : D777,690 S  
APPLICATION NO. : 29/559225  
DATED : January 31, 2017  
INVENTOR(S) : Toyohiko Amano

Page 1 of 1

It is certified that error appears in the above-identified patent and that said Letters Patent is hereby corrected as shown below:

On the Title Page

In Item (71) Applicants, please replace "CITIZEN HOLDINGS CO., LTD." with --CITIZEN  
WATCH CO., LTD.--.

Signed and Sealed this  
Ninth Day of May, 2017



Michelle K. Lee  
*Director of the United States Patent and Trademark Office*