

US00D777689S

(12) **United States Design Patent** (10) **Patent No.:** **US D777,689 S**
Amano (45) **Date of Patent:** **** Jan. 31, 2017**

(54) **PUSH SWITCH**

(71) Applicants: **CITIZEN ELECTRONICS CO., LTD.**, Yamanashi-ken (JP); **CITIZEN WATCH CO., LTD.**, Tokyo (JP)

(72) Inventor: **Toyohiko Amano**, Yamanashi-ken (JP)

(73) Assignees: **CITIZEN ELECTRONICS CO., LTD.**, Yamanashi-Ken (JP); **CITIZEN WATCH CO., LTD.**, Tokyo (JP)

(**) Term: **15 Years**

(21) Appl. No.: **29/559,223**

(22) Filed: **Mar. 25, 2016**

Related U.S. Application Data

(62) Division of application No. 29/493,342, filed on Jun. 9, 2014, now Pat. No. Des. 757,661.

Foreign Application Priority Data

Dec. 12, 2013 (JP) 2013-029167
Dec. 12, 2013 (JP) 2013-029168
Dec. 12, 2013 (JP) 2013-029169
Dec. 12, 2013 (JP) 2013-029170
Dec. 12, 2013 (JP) 2013-029177
Dec. 12, 2013 (JP) 2013-029178

(51) **LOC (10) Cl.** **13-03**

(52) **U.S. Cl.**
USPC **D13/171**

(58) **Field of Classification Search**
USPC D13/158, 171
CPC H01H 13/48; H01H 13/52; H01H 13/64;
H01H 15/102; H01H 15/20
See application file for complete search history.

(56) **References Cited**

U.S. PATENT DOCUMENTS

6,018,132	A	1/2000	Chen	
6,495,783	B2	12/2002	Rochon	
7,022,928	B2	4/2006	Watanabe	
7,525,059	B2	4/2009	Masuda	
7,547,858	B2	6/2009	Nagata	
D613,253	S	4/2010	Yamanaka	
D625,271	S	10/2010	Yamanaka	
D627,742	S	11/2010	Yamanaka	
8,115,130	B2	2/2012	Kikuchi	
8,124,902	B2	2/2012	Watanabe	
8,507,818	B2	8/2013	Kwak	
9,142,368	B2	9/2015	Watanabe	
D757,661	S *	5/2016	Amano D13/171
2001/0013466	A1	8/2001	Yanai	
2006/0037851	A1	2/2006	Hu	

(Continued)

Primary Examiner — Selina Sikder

(74) *Attorney, Agent, or Firm* — Wenderoth, Lind & Ponack, L.L.P.

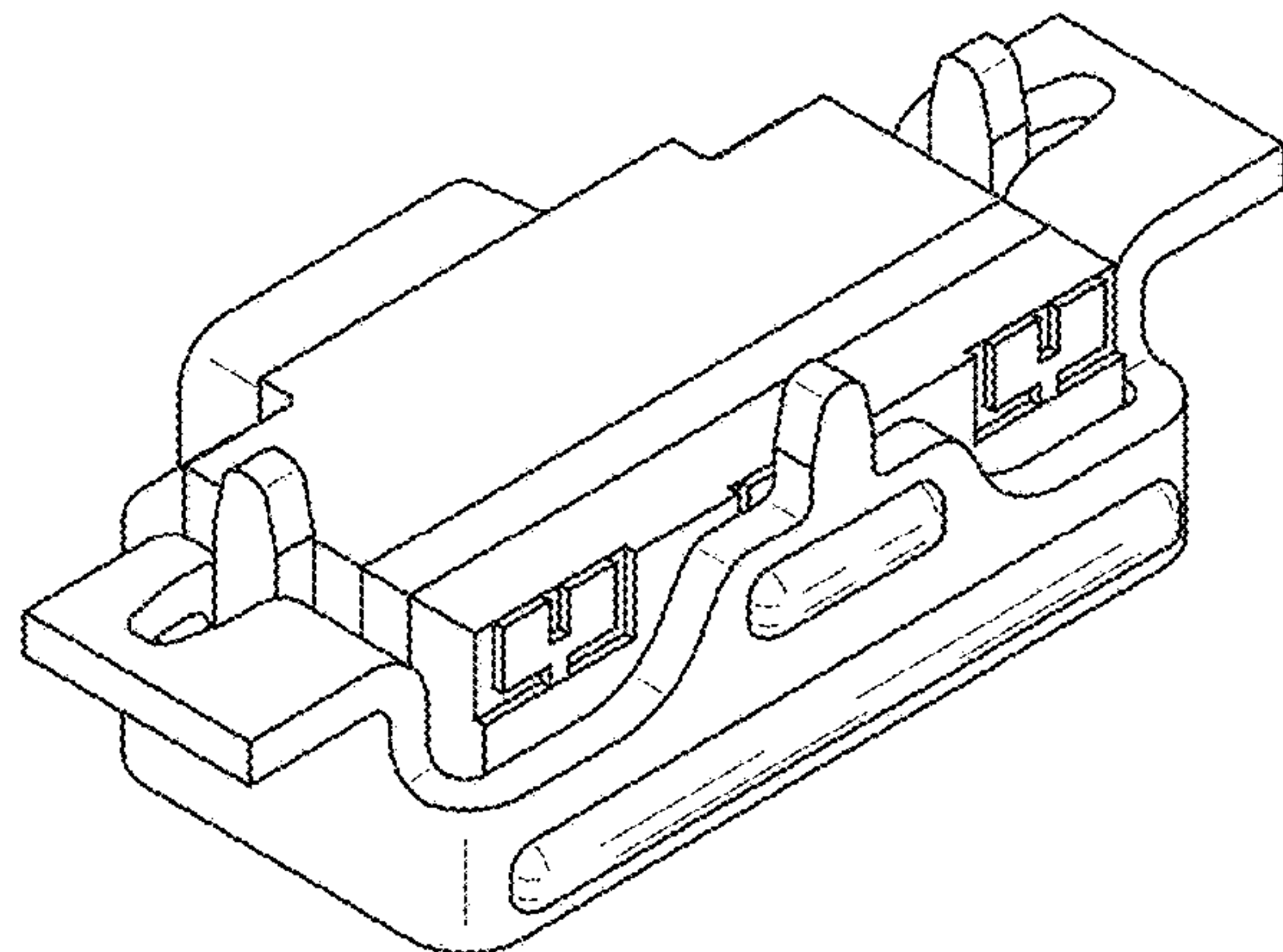
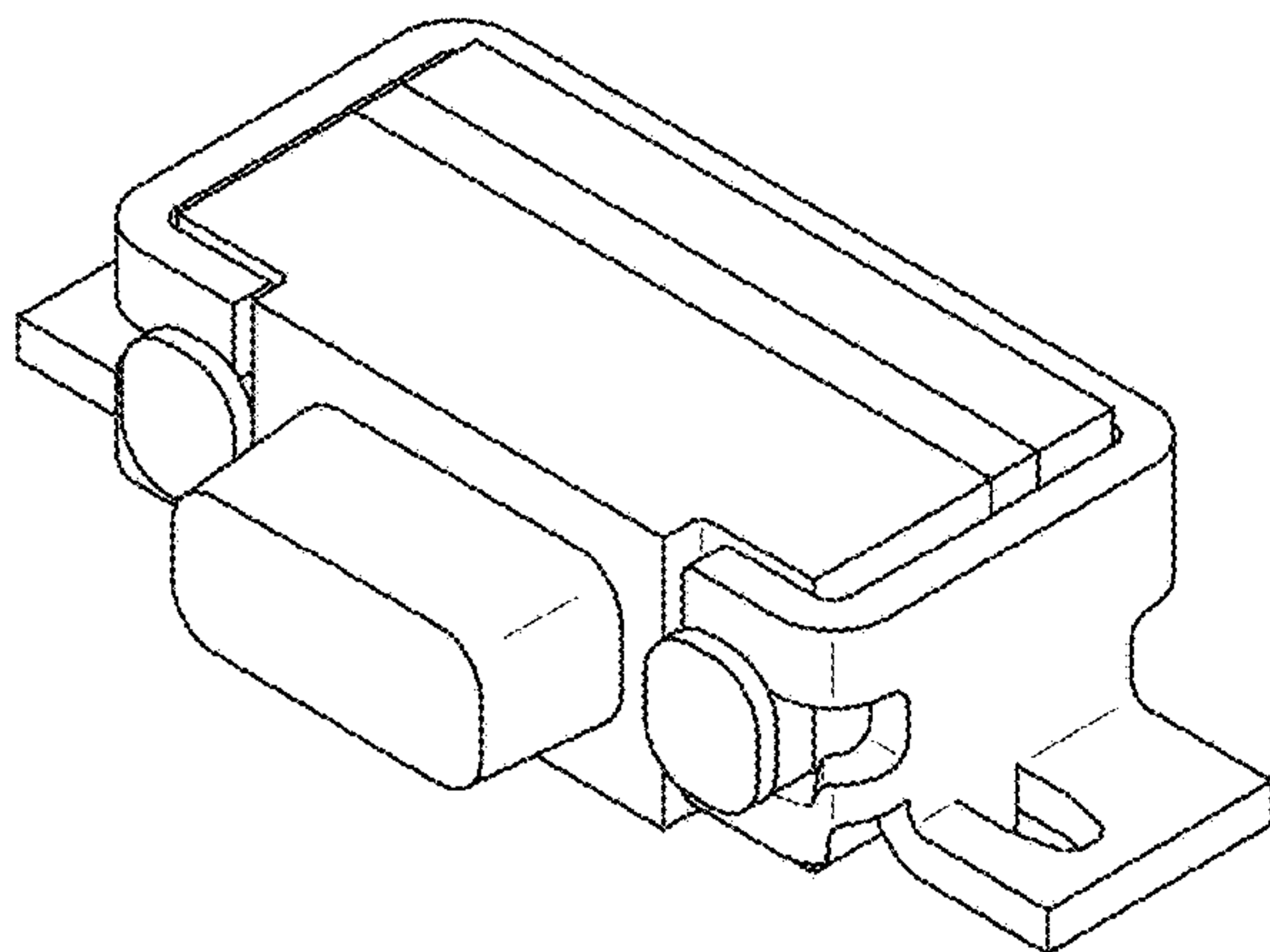
(57) **CLAIM**

The ornamental design for a push switch, as shown and described.

DESCRIPTION

FIG. 1 is a top perspective view of a push switch showing an upper surface with front and right side surfaces; FIG. 2 is a bottom perspective view thereof showing a bottom surface with rear and left side surfaces; FIG. 3 is a front view thereof; FIG. 4 is a rear view thereof; FIG. 5 is a top plan view thereof; FIG. 6 is a bottom plan view thereof; and, FIG. 7 is a left side view thereof, a right side view being a mirror image of FIG. 7.

1 Claim, 4 Drawing Sheets



(56)

References Cited

U.S. PATENT DOCUMENTS

2006/0065514 A1 3/2006 Toyama
2009/0201655 A1 8/2009 Watanabe
2010/0032271 A1 2/2010 Maehara

* cited by examiner

Fig. 1

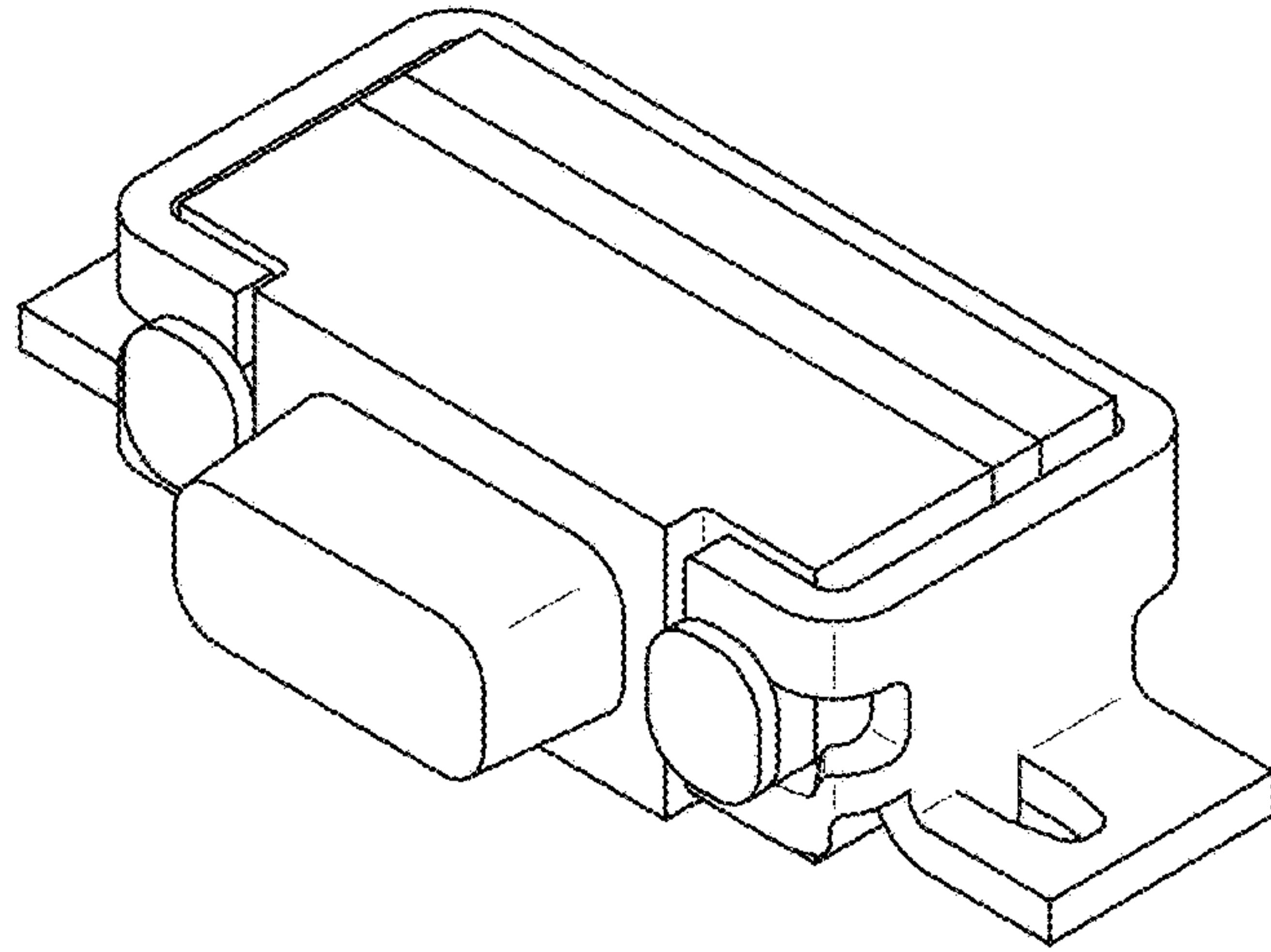


Fig. 2

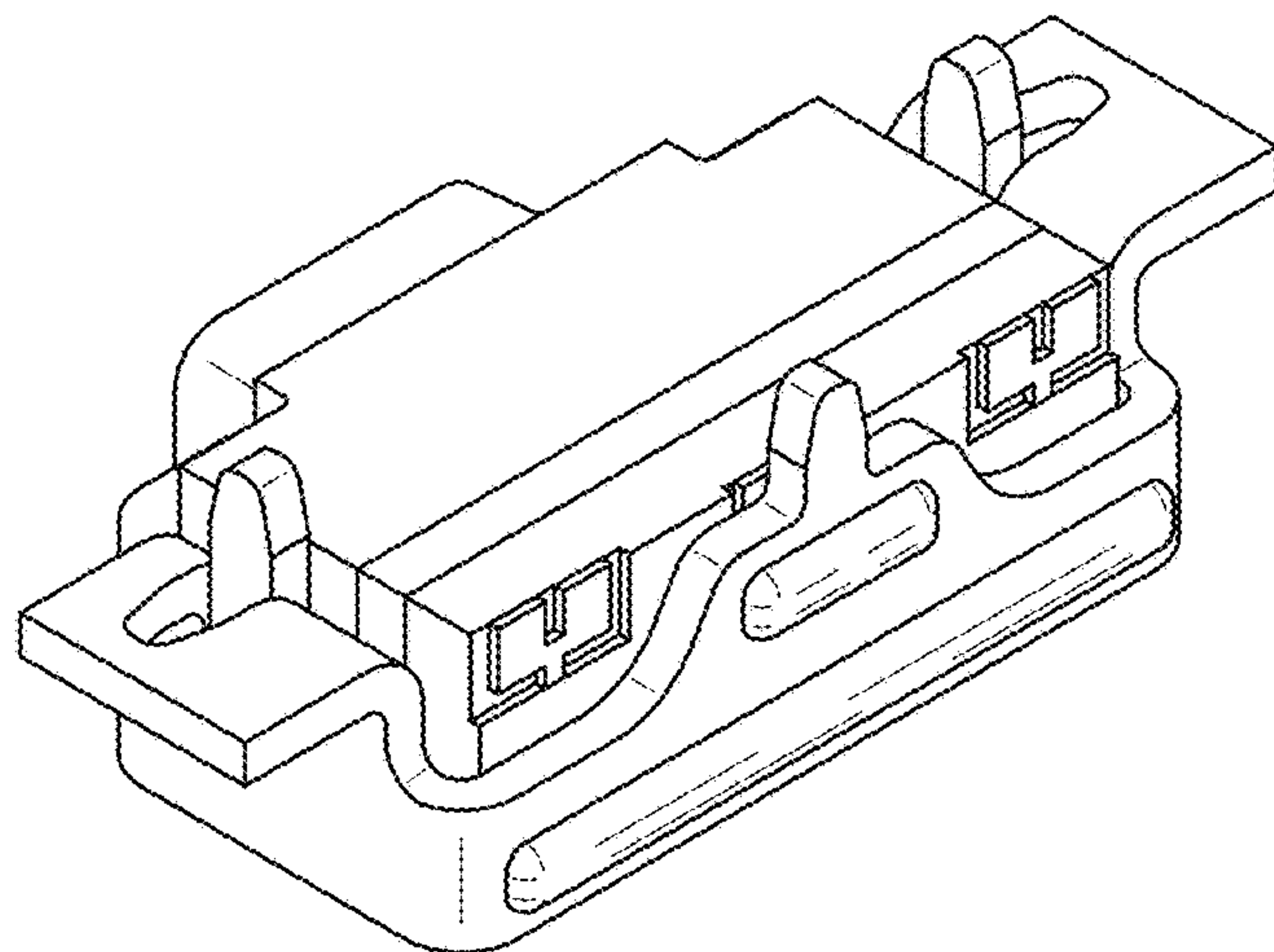


Fig. 3

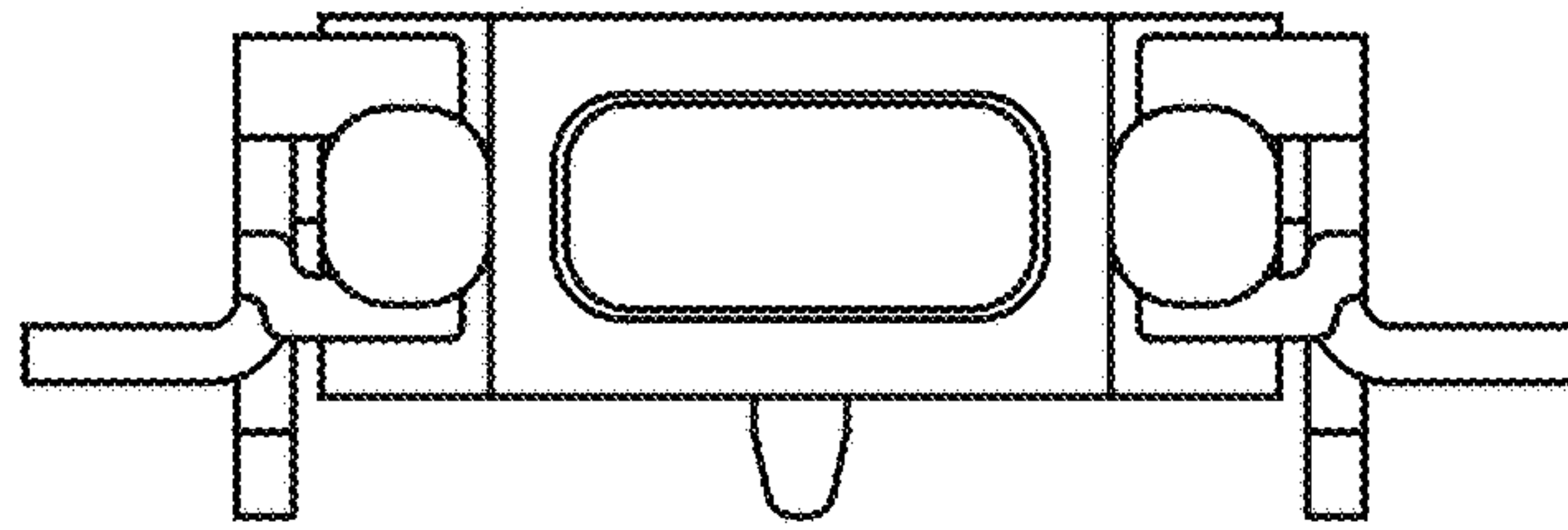


Fig. 4

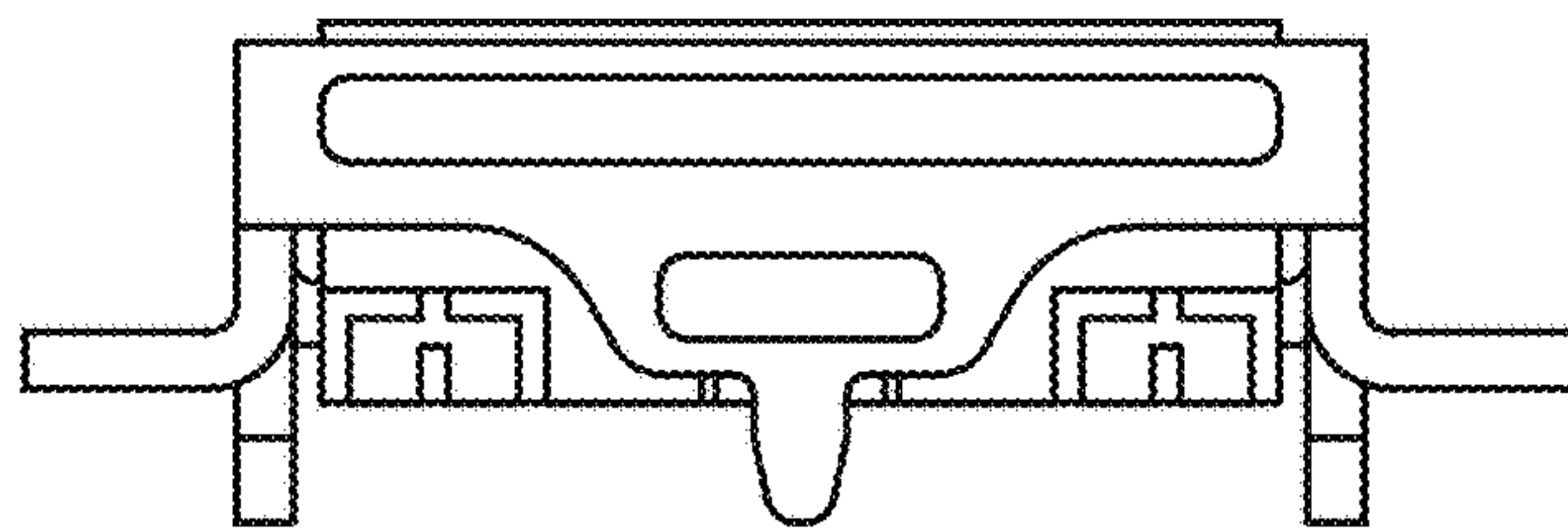


Fig. 5

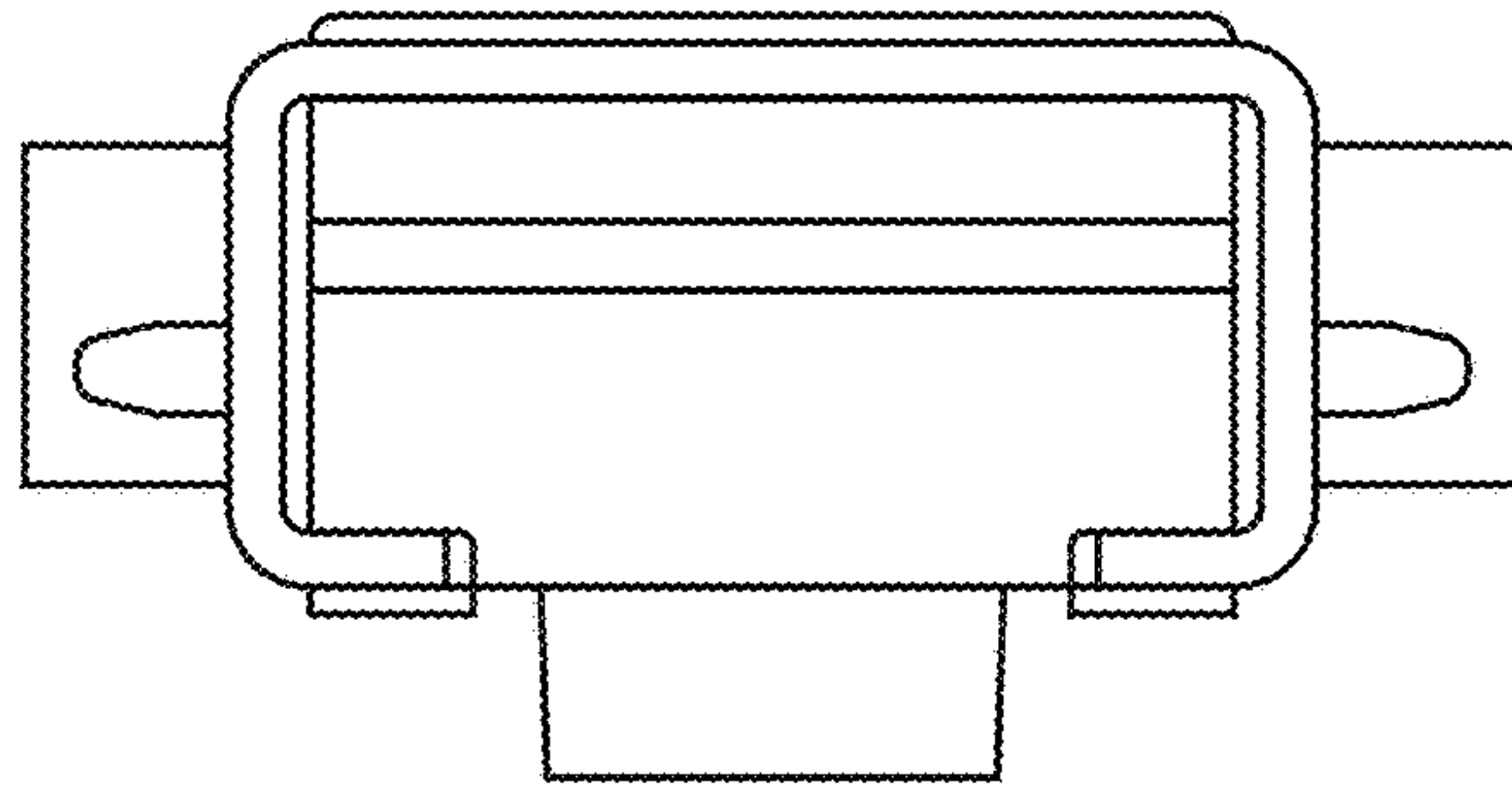


Fig. 6

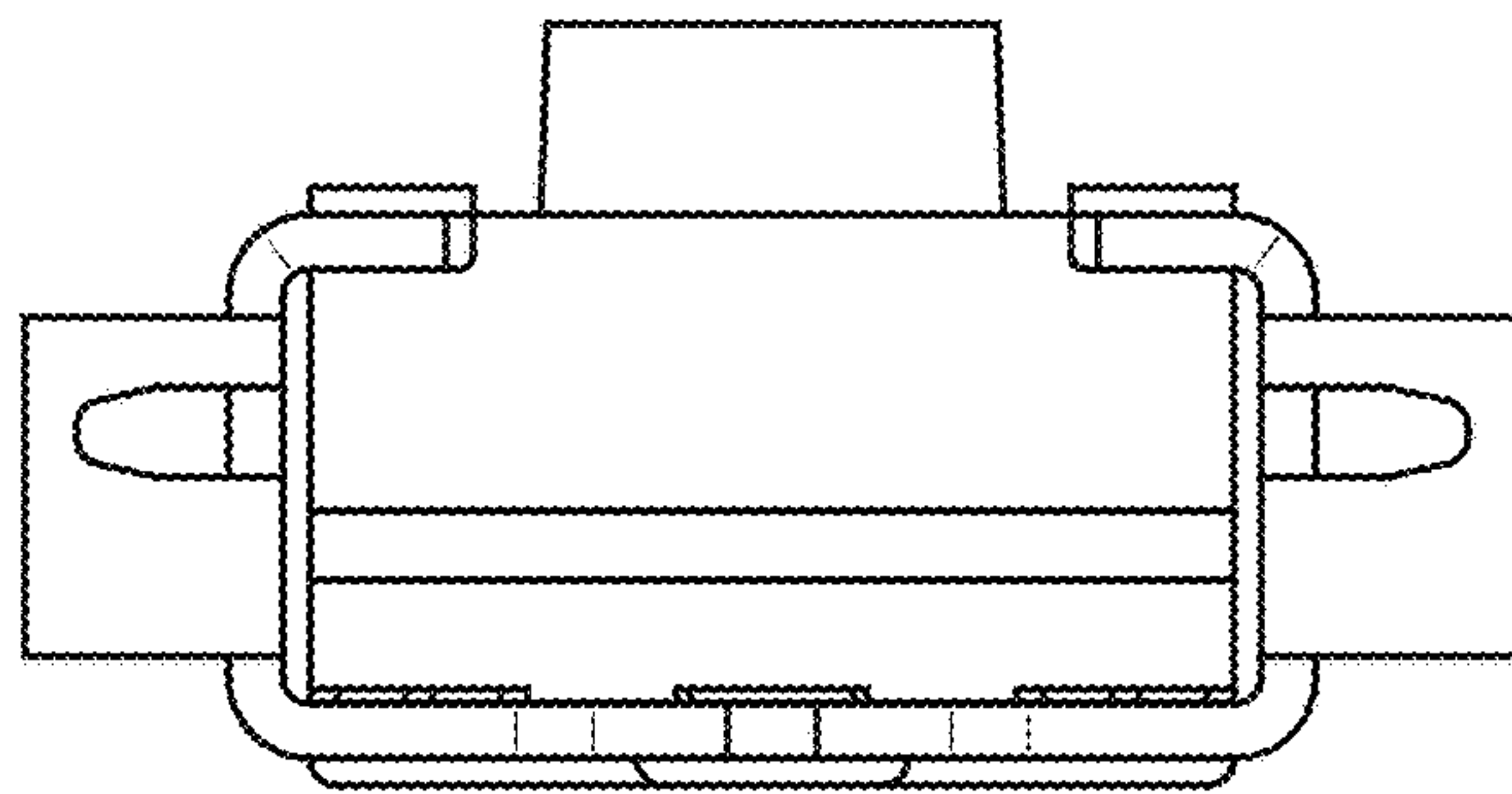


Fig. 7

