



US00D777688S

(12) **United States Design Patent**
Seidl et al.

(10) **Patent No.:** **US D777,688 S**
(45) **Date of Patent:** **** Jan. 31, 2017**

(54) **SWITCH**
(71) Applicant: **Raffel Systems, LLC**, Germantown, WI (US)
(72) Inventors: **Kenneth G. Seidl**, Port Washington, WI (US); **Torrin T. Santy**, West Bend, WI (US)
(73) Assignee: **RAFFEL SYSTEMS, LLC**, Germantown, WI (US)
(**) Term: **15 Years**

6,841,748 B2 * 1/2005 Serizawa H01H 13/702
200/314
7,087,847 B2 * 8/2006 Parkinson H01H 13/86
200/302.2
D689,825 S * 9/2013 Wenji D13/162
8,766,115 B2 * 7/2014 Kristen H01H 25/065
200/5 A
8,884,175 B2 * 11/2014 Botez H01H 21/18
200/341
D720,305 S * 12/2014 Wenji D13/174
D733,078 S * 6/2015 Wu D13/171
D740,238 S * 10/2015 Dorn D13/174
D740,763 S * 10/2015 Wenji D13/162
D758,326 S * 6/2016 Dorn D13/174
D758,975 S * 6/2016 Hunter D13/162
2011/0198894 A1 * 8/2011 Hsieh A47C 1/0242
297/68
2014/0353134 A1 * 12/2014 Muller H01H 3/20
200/5 A

(21) Appl. No.: **29/540,928**

(22) Filed: **Sep. 29, 2015**

(51) **LOC (10) Cl.** **13-03**

(52) **U.S. Cl.**
USPC **D13/171; D13/174**

(58) **Field of Classification Search**
USPC D13/162, 164, 171, 173, 174
CPC H01H 3/02; H01H 3/022; H01H 3/12;
H01H 3/122; H01H 9/02; H01H 9/0235;
H01H 13/023; H01H 13/04; H01H 13/06;
H01H 13/063; H01H 13/10; H01H 13/12;
H01H 13/14; H01H 13/36; H01H 13/70;
H01H 13/86; H01H 21/24; H01H 25/065;
A47C 1/0345; A47C 1/035; A47C 7/506
See application file for complete search history.

(56) **References Cited**

U.S. PATENT DOCUMENTS

D305,018 S * 12/1989 Pena D13/164
D305,019 S * 12/1989 Pena D13/171
5,362,932 A * 11/1994 Inagaki B29C 45/1418
200/302.2
6,800,819 B2 * 10/2004 Sato H01H 3/122
200/314

* cited by examiner

Primary Examiner — Selina Sikder

(74) *Attorney, Agent, or Firm* — Tyler J. Sisk; Casimir Jones, S.C.

(57) **CLAIM**

The ornamental design for a switch, as shown and described.

DESCRIPTION

FIG. 1 is a three-quarter perspective view showing our new design of a switch;
FIG. 2 is a front elevational view thereof, the rear elevational view being identical;
FIG. 3 is a left side elevational view thereof,
FIG. 4 is a right side elevational view thereof,
FIG. 5 is a top plan view thereof; and,
FIG. 6 is a bottom plan view thereof.
The broken lines shown in FIGS. 1 through 6 are for the purpose of illustrating environment, and form no part of the claimed design.

1 Claim, 1 Drawing Sheet

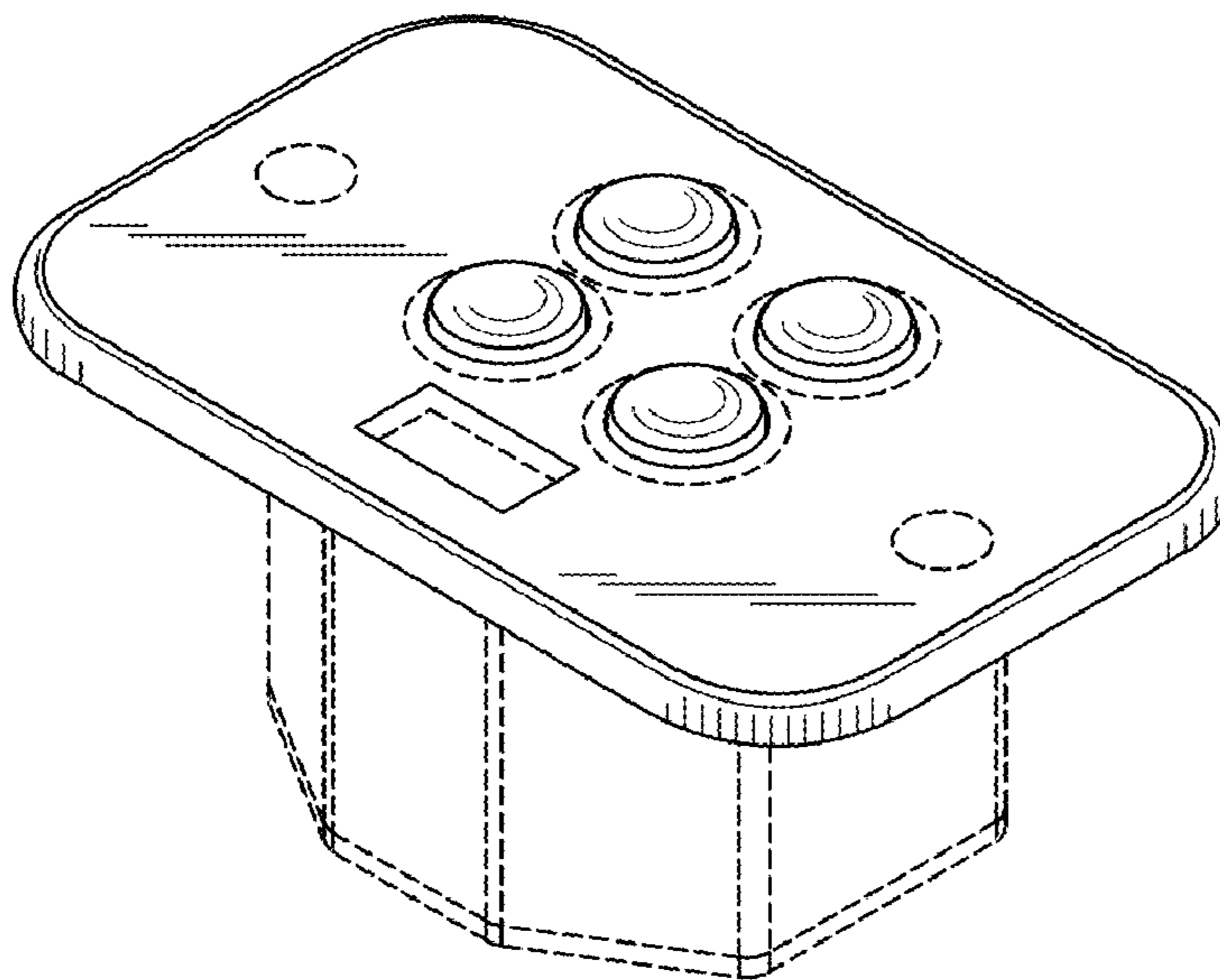


Fig. 1

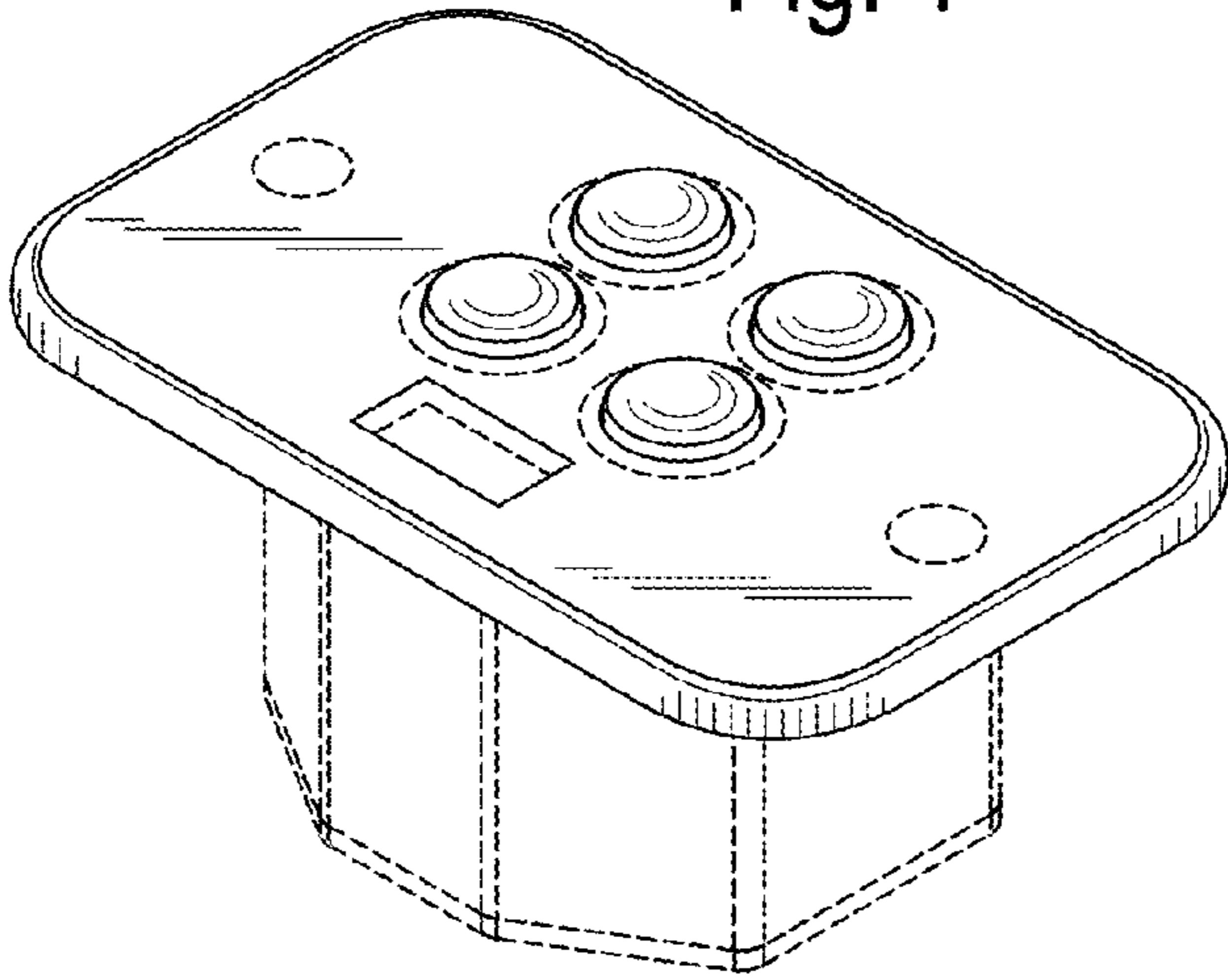


Fig. 4

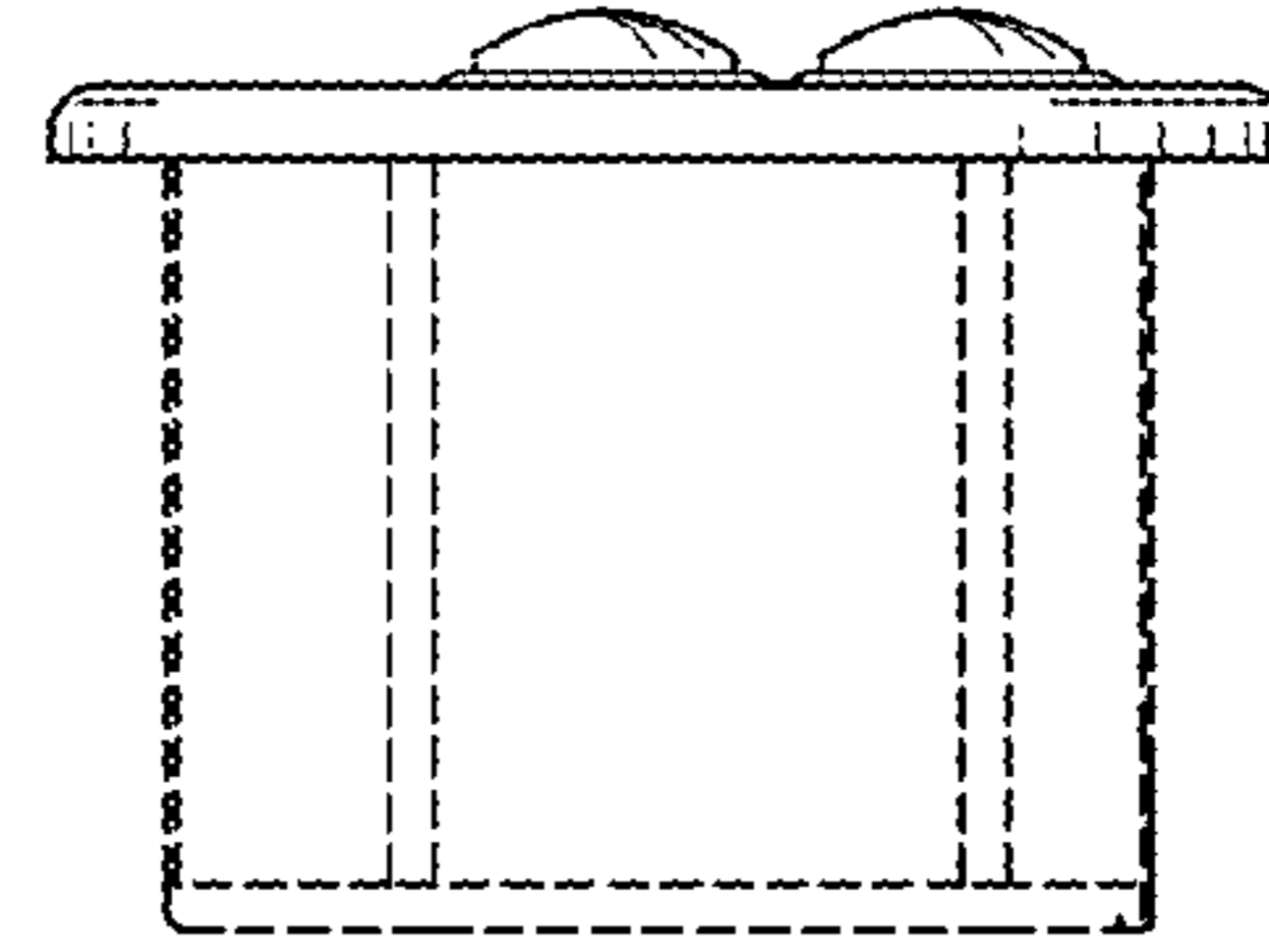


Fig. 3

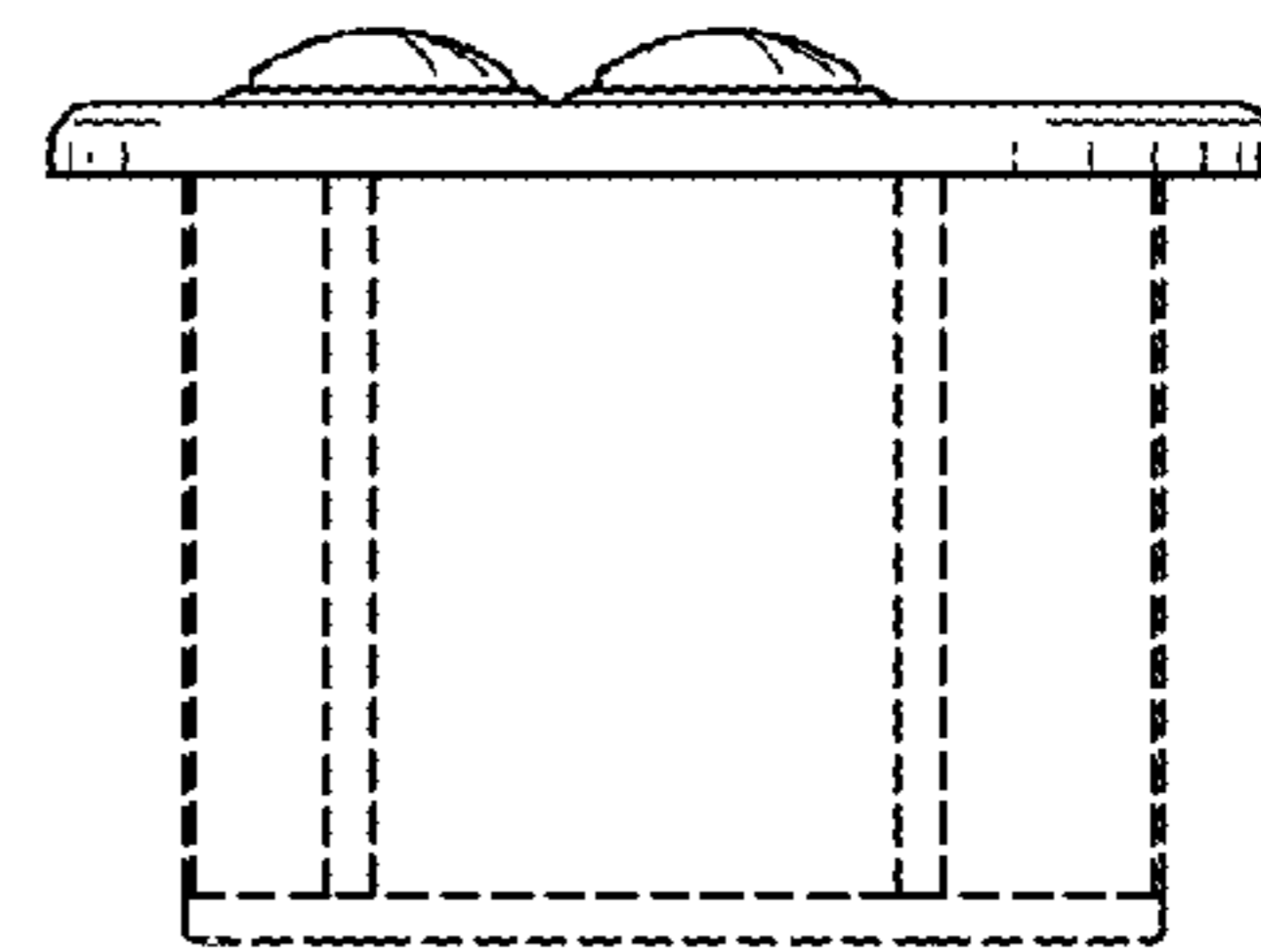


Fig. 5

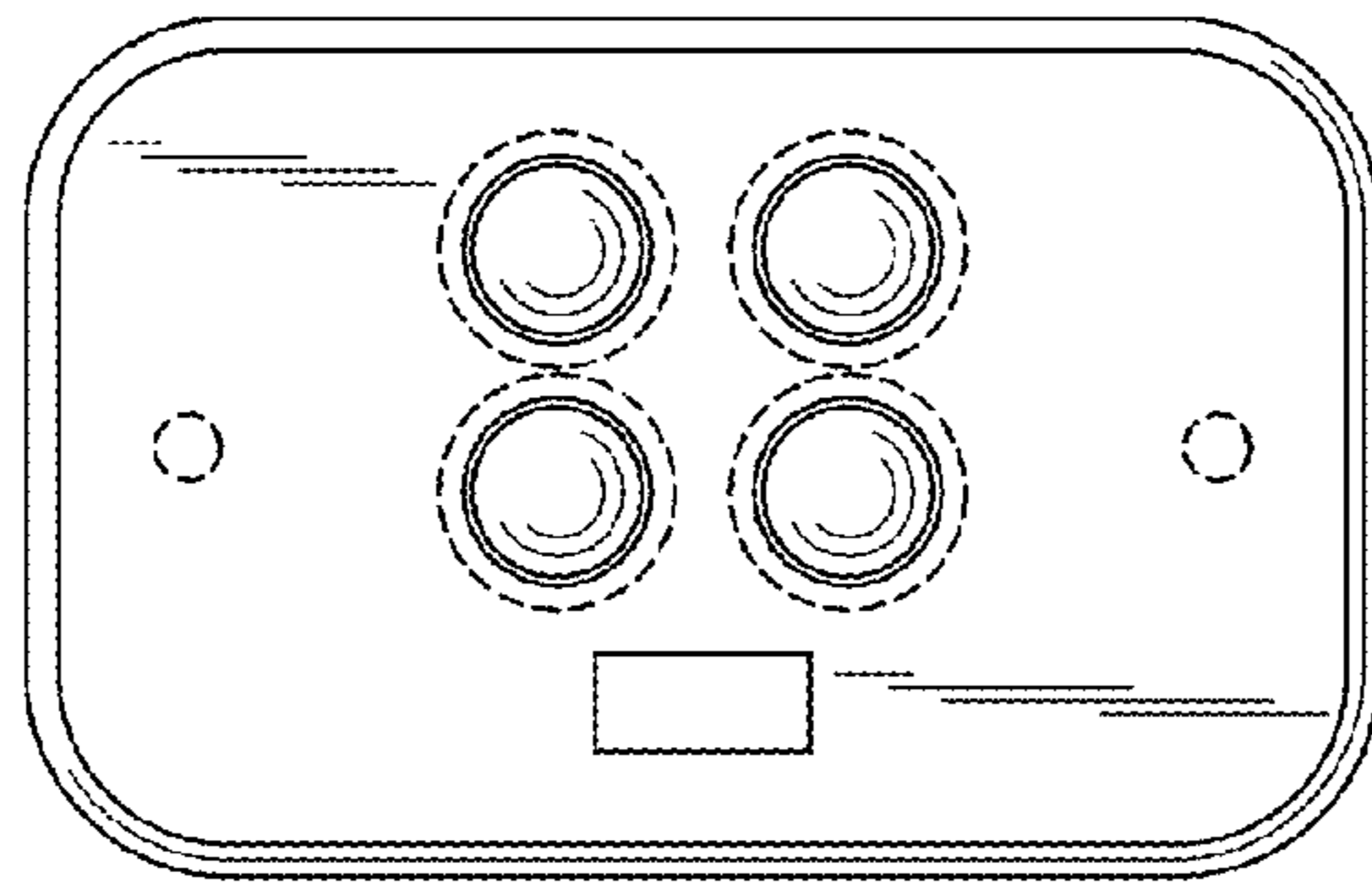


Fig. 2

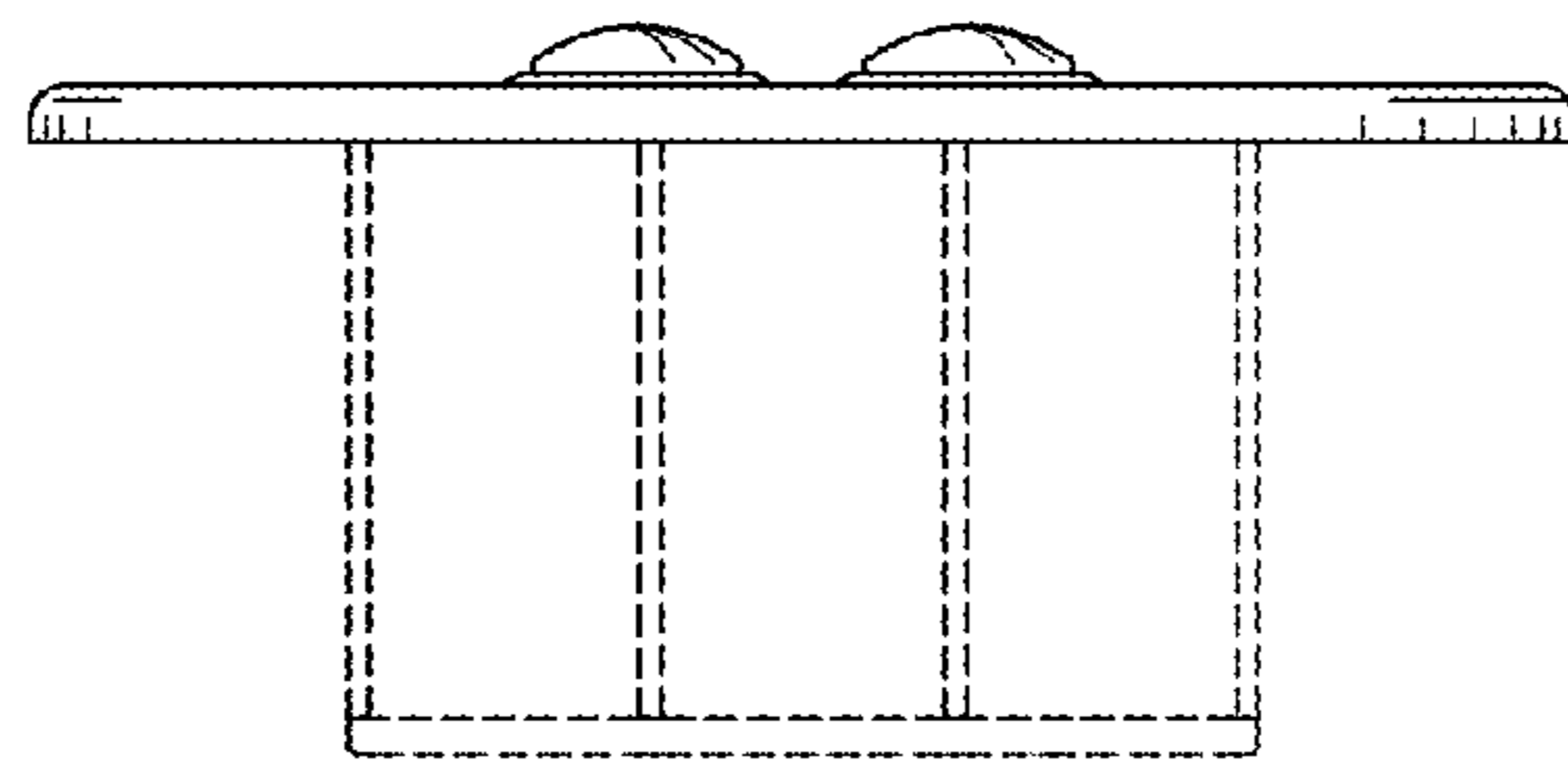


Fig. 6

