



US00D777687S

(12) **United States Design Patent**  
**Seidl et al.**

(10) **Patent No.:** **US D777,687 S**

(45) **Date of Patent:** **\*\* Jan. 31, 2017**

(54) **SWITCH**

(71) Applicant: **Raffel Systems, LLC**, Germantown, WI (US)

(72) Inventors: **Kenneth G. Seidl**, Port Washington, WI (US); **Torrin T. Santy**, West Bend, WI (US)

(73) Assignee: **RAFFEL SYSTEMS, LLC**, Germantown, WI (US)

(\*\*) Term: **15 Years**

(21) Appl. No.: **29/540,926**

(22) Filed: **Sep. 29, 2015**

(51) **LOC (10) Cl.** ..... **13-03**

(52) **U.S. Cl.**  
USPC ..... **D13/171**

(58) **Field of Classification Search**  
USPC ..... D13/162, 164, 171, 173, 174  
CPC ..... H01H 3/02; H01H 3/022; H01H 3/12;  
H01H 3/122; H01H 9/02; H01H 9/0235;  
H01H 13/023; H01H 13/04; H01H 13/06;  
H01H 13/063; H01H 13/10; H01H 13/12;  
H01H 13/14; H01H 13/36; H01H 13/70;  
H01H 13/86; H01H 21/24; H01H 25/065;  
A47C 1/0345; A47C 1/035; A47C 7/506  
See application file for complete search history.

(56) **References Cited**

**U.S. PATENT DOCUMENTS**

D310,202 S \* 8/1990 Suck ..... D13/164  
D442,561 S \* 5/2001 Camarota ..... D13/162

6,964,532 B1 \* 11/2005 Lu ..... H01H 13/7057  
200/341  
7,355,136 B2 \* 4/2008 Chen ..... H01H 13/14  
200/296  
7,470,869 B2 \* 12/2008 Lin ..... H01H 13/12  
200/314  
7,968,795 B2 \* 6/2011 Yang ..... H05K 5/0017  
174/66  
8,766,115 B2 \* 7/2014 Kristen ..... H01H 25/065  
200/5 A  
D758,326 S \* 6/2016 Dorn ..... D13/174  
2010/0270138 A1 \* 10/2010 Yamanaka ..... H01H 13/7057  
200/341  
2011/0198894 A1 \* 8/2011 Hsieh ..... A47C 1/0242  
297/68

\* cited by examiner

*Primary Examiner* — Selina Sikder

(74) *Attorney, Agent, or Firm* — Tyler J. Sisk; Casimir Jones, S.C.

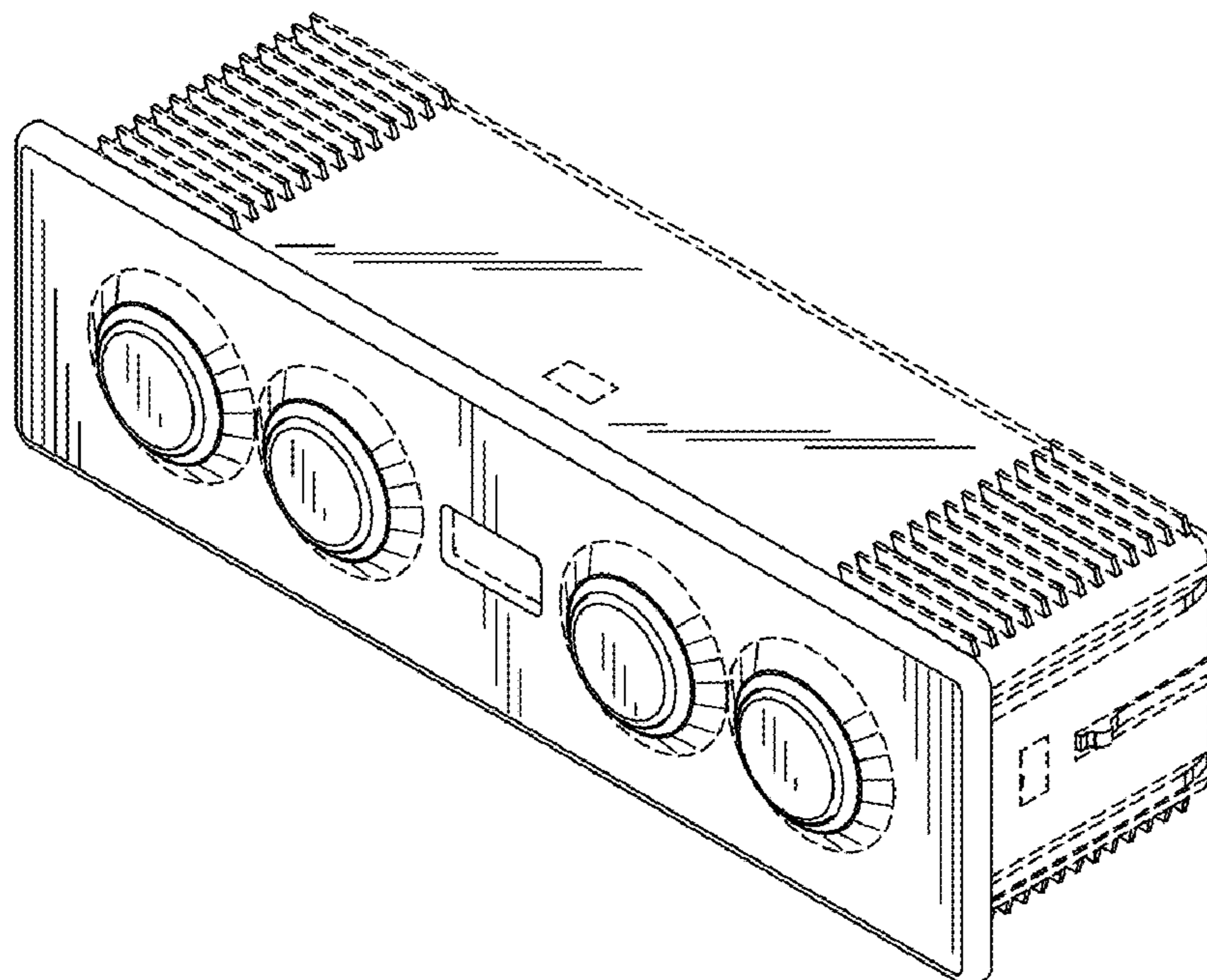
(57) **CLAIM**

The ornamental design for a switch, as shown and described.

**DESCRIPTION**

FIG. 1 is a three-quarter perspective view showing our new design of a switch;  
FIG. 2 is a front elevational view thereof,  
FIG. 3 is a rear elevational view thereof;  
FIG. 4 is a left side elevational view thereof,  
FIG. 5 is a right side elevational view thereof,  
FIG. 6 is a top plan view thereof; and,  
FIG. 7 is a bottom plan view thereof.  
The broken lines shown in FIGS. 1 through 7 are for the purpose of illustrating environment, and form no part of the claimed design.

**1 Claim, 1 Drawing Sheet**



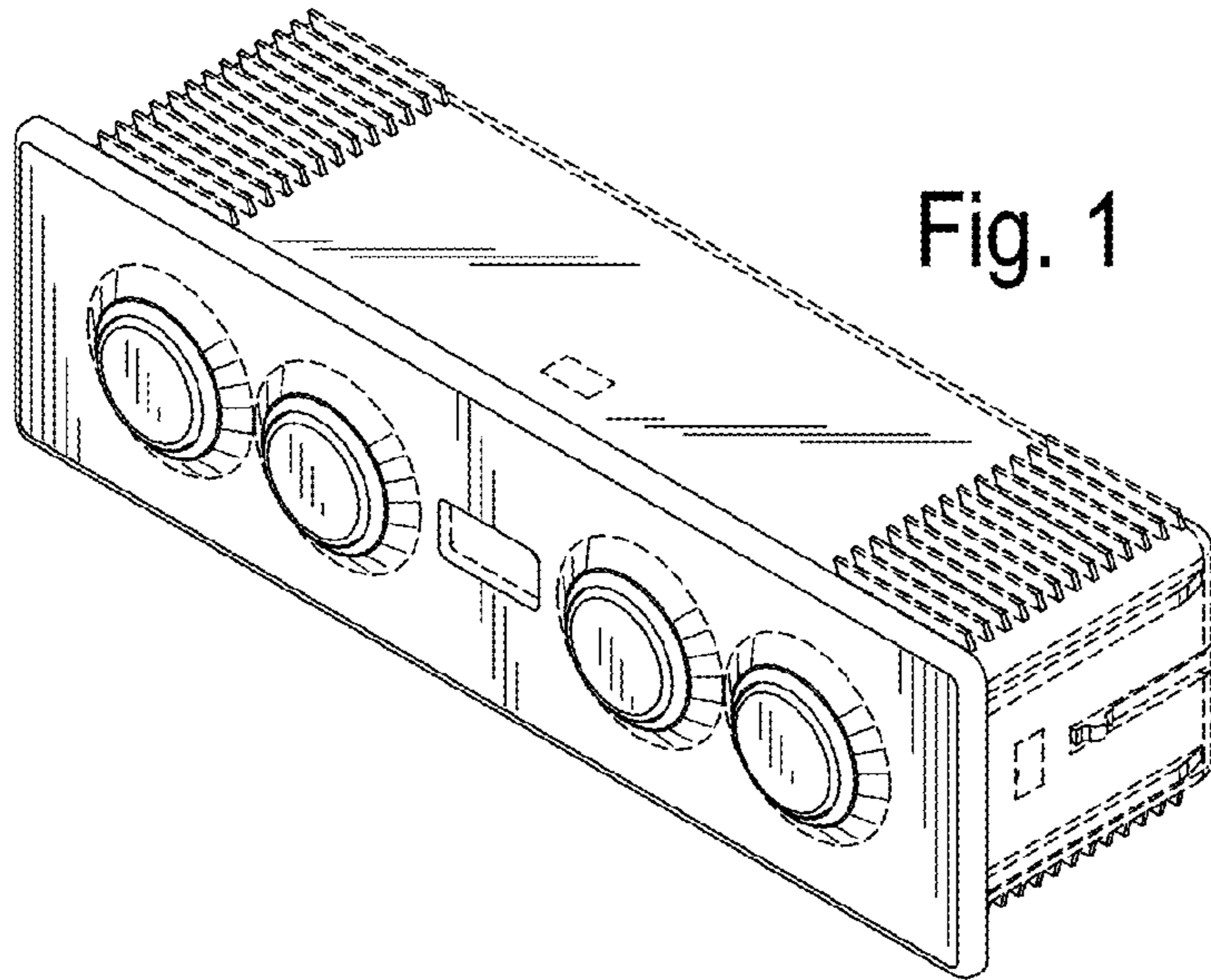


Fig. 1

Fig. 4

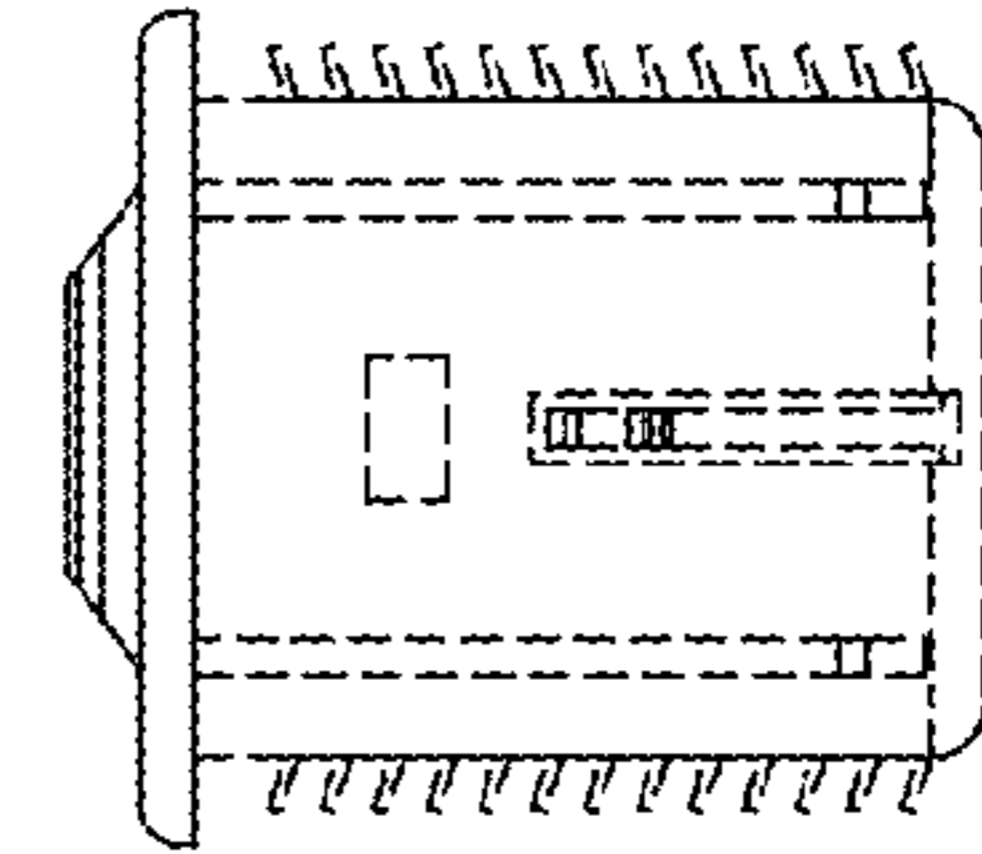


Fig. 5

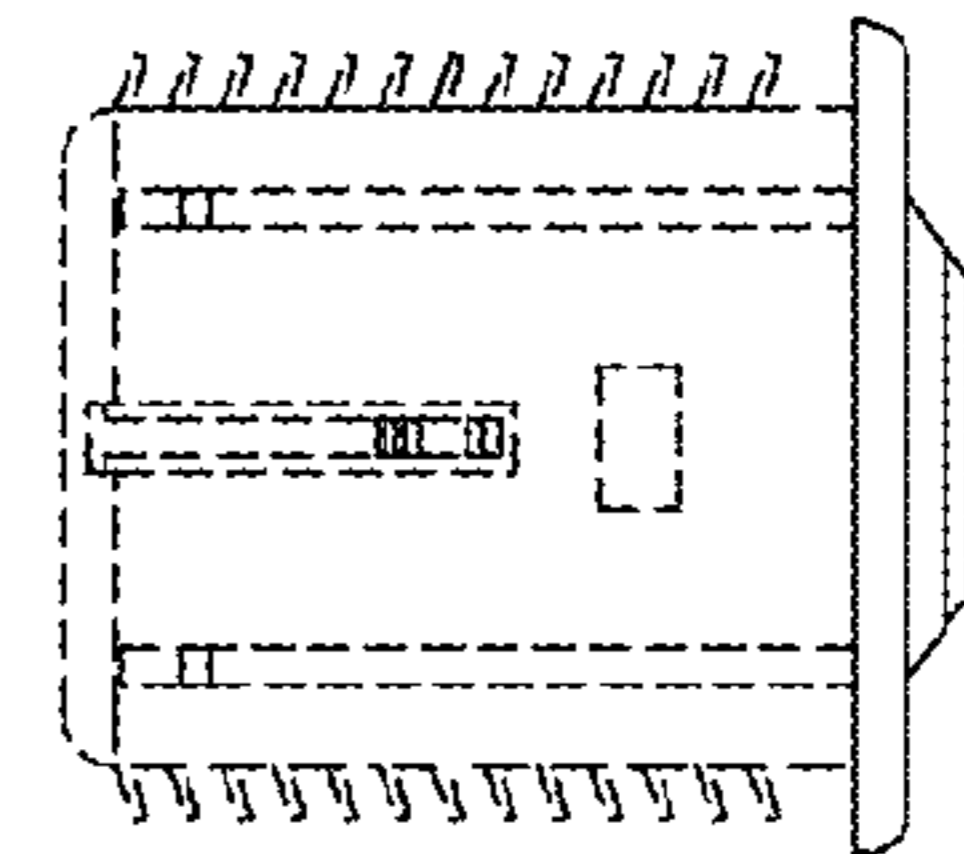


Fig. 3

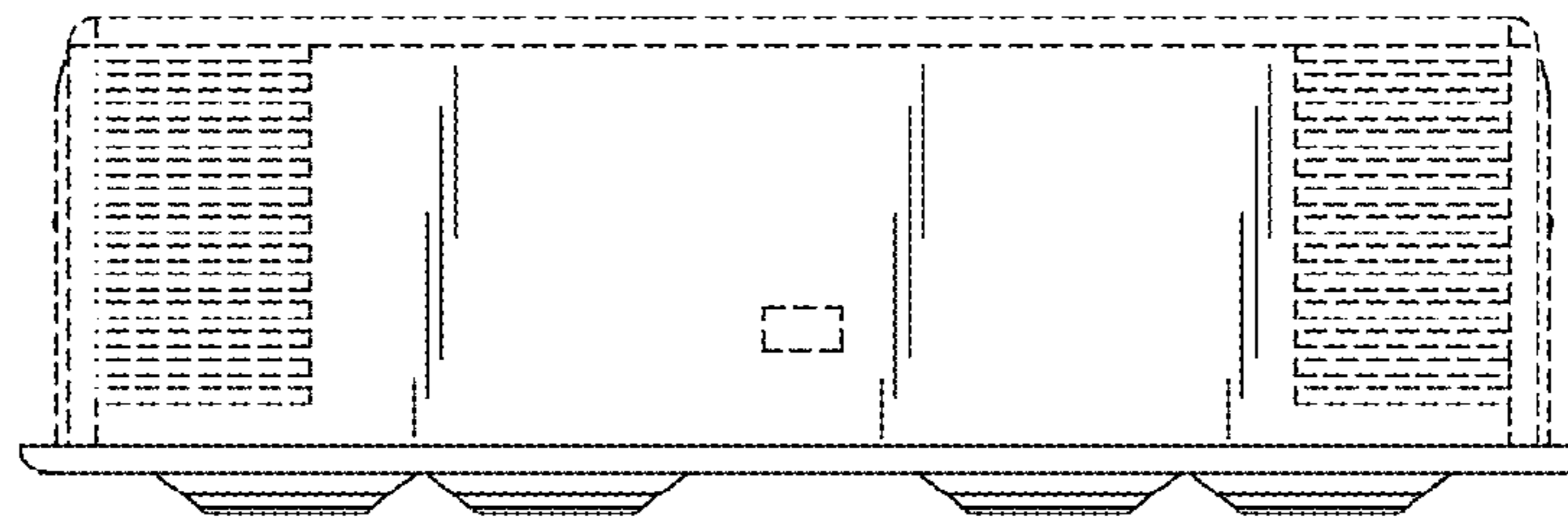


Fig. 6

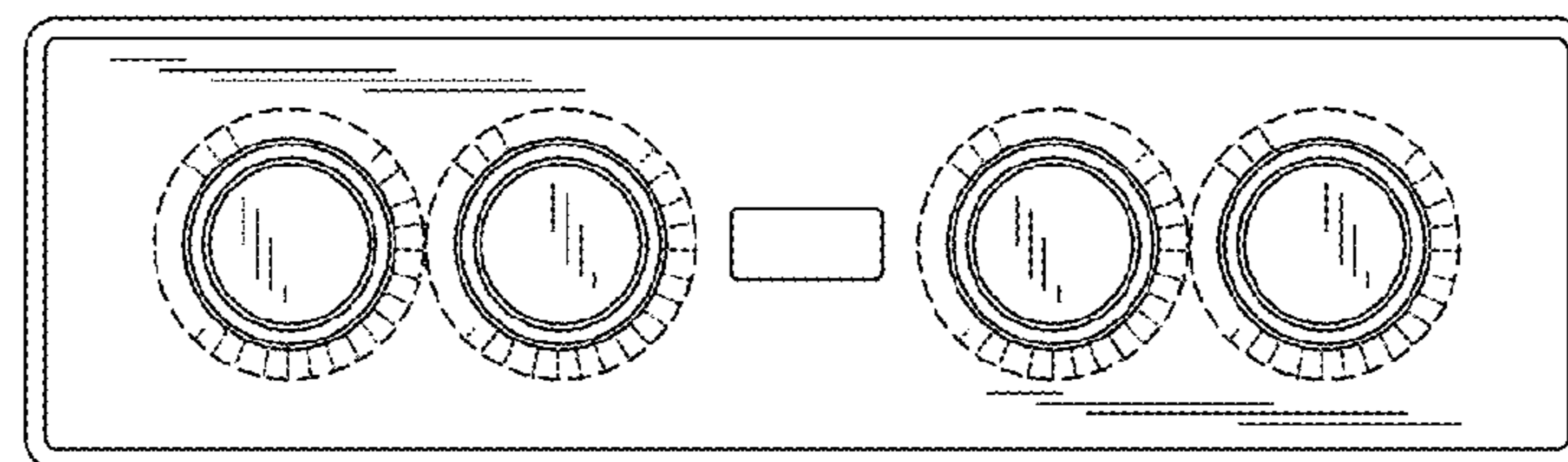


Fig. 2

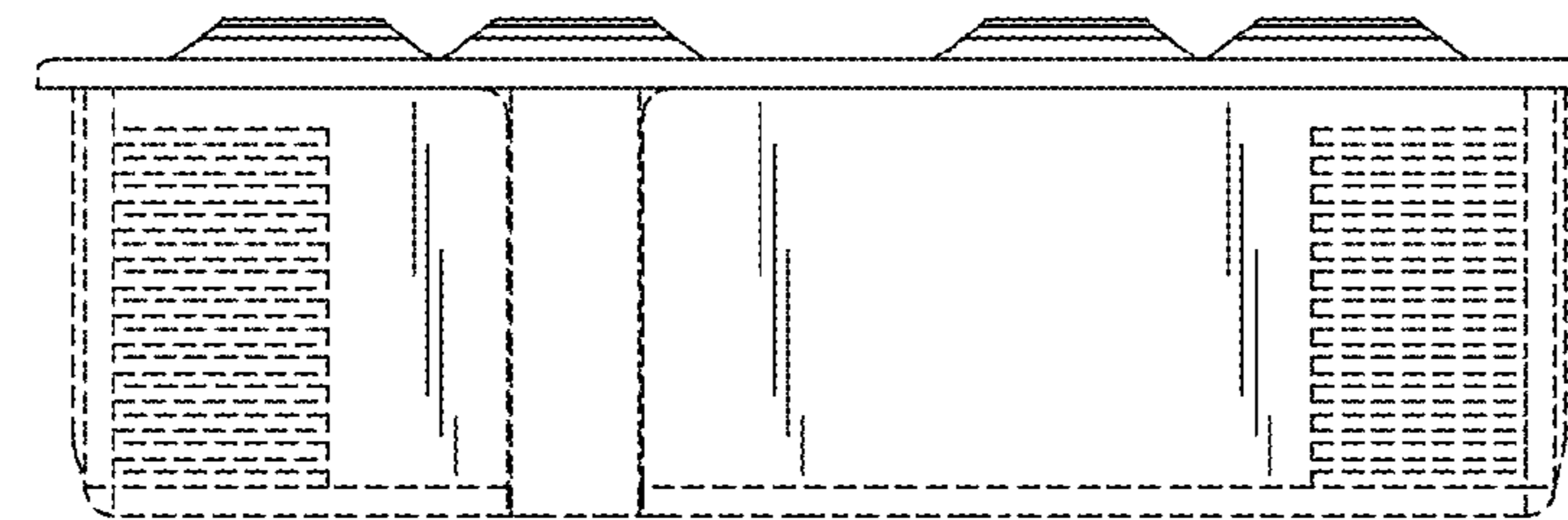


Fig. 7

