



US00D777685S

(12) **United States Design Patent**  
**Tannous et al.**

(10) **Patent No.:** **US D777,685 S**

(45) **Date of Patent:** **\*\* Jan. 31, 2017**

(54) **FRAMELESS WALL SWITCH**

(71) Applicants: **Charles Tannous**, Old Westbury, NY (US); **Brian Deignan**, Westbury, NY (US); **Marc Noest**, Westbury, NY (US)

(72) Inventors: **Charles Tannous**, Old Westbury, NY (US); **Brian Deignan**, Westbury, NY (US); **Marc Noest**, Westbury, NY (US)

(73) Assignee: **Leviton Manufacturing Co., Inc.**, Melville, NY (US)

(\*\*) Term: **14 Years**

(21) Appl. No.: **29/522,660**

(22) Filed: **Apr. 1, 2015**

(51) **LOC (10) Cl.** ..... **13-03**

(52) **U.S. Cl.**  
USPC ..... **D13/169**

(58) **Field of Classification Search**  
USPC ..... D13/162, 169, 177  
CPC ..... H01H 9/02; H01H 9/0271; H01H 9/16;  
H01H 9/18; H01H 9/161; H01H 9/181;  
H01H 9/182; H01H 13/04; H01H 13/14;  
H01H 13/20; H01H 13/30; H01H 19/635;  
H01H 23/00; H01H 23/02; H01H 23/025;  
H01H 23/04; H01H 23/145; H01H  
23/148; H01H 23/205; H01H  
23/30; H05B 33/0803; H05B  
33/0863; H05B 37/02; H05B 37/0254;  
H05B 37/0272; H05B 39/02; H05B  
39/04; H05B 39/085; H05B  
39/086; H05B 39/088

See application file for complete search history.

(56) **References Cited**

U.S. PATENT DOCUMENTS

5,382,768 A 1/1995 Kurek et al.  
D360,876 S \* 8/1995 Hughes ..... D13/177  
5,895,888 A \* 4/1999 Arenas ..... H02G 3/14  
174/66

(Continued)

OTHER PUBLICATIONS

Leviton Product Data Sheet, "Renoir™ II Architectural Wallbox Dimmers Preset Slide—Thin Heat Sink"; Leviton Mfg. Co., Inc. Lighting & Energy Solutions, Jan. 2015.

*Primary Examiner* — Selina Sikder

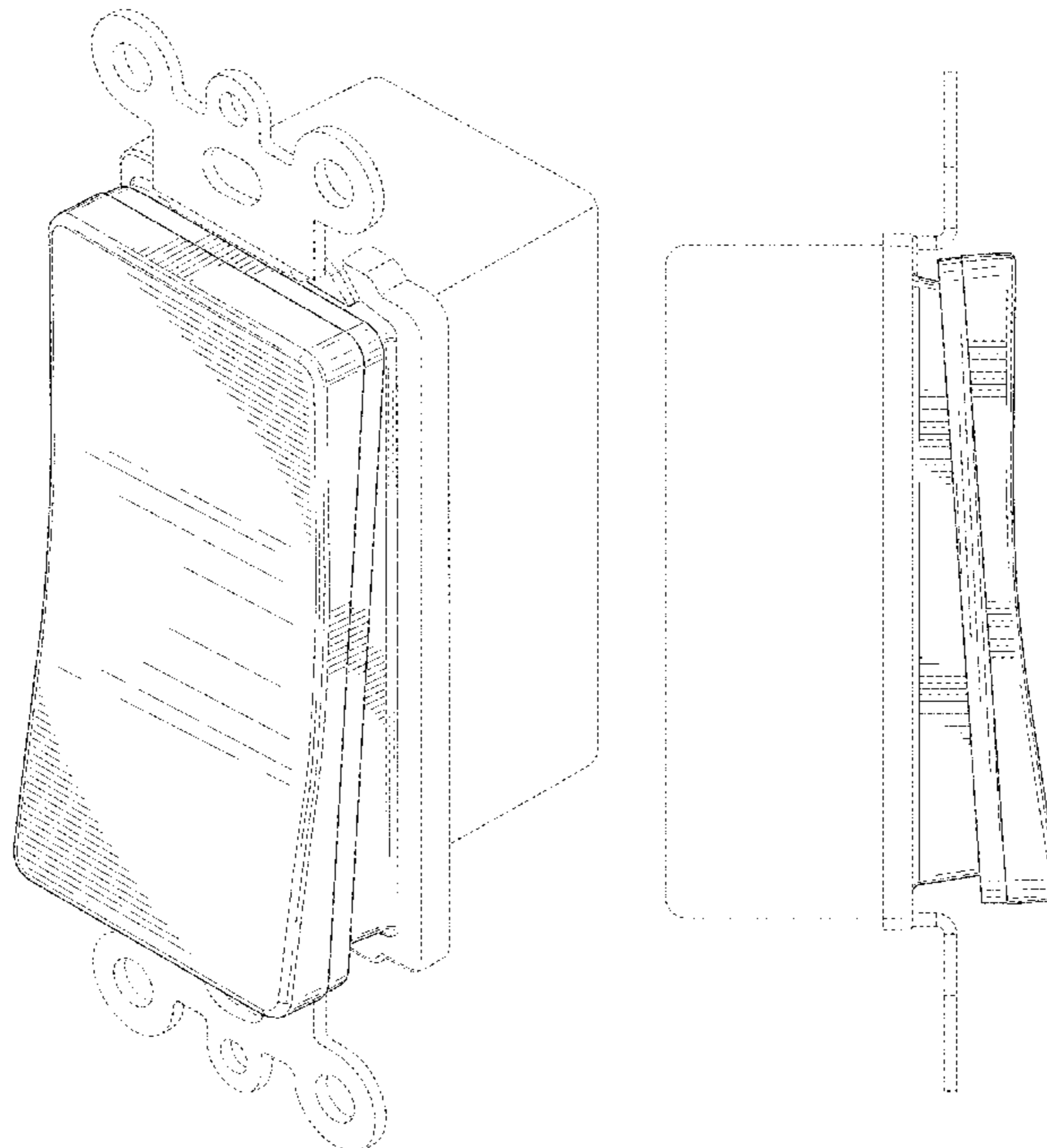
(57) **CLAIM**

The ornamental design for a frameless wall switch, as shown and described.

**DESCRIPTION**

FIG. 1 is a front isometric view of our new design; FIG. 2 is a front view of the design of FIG. 1; FIG. 3 is a first side view of the design of FIG. 1; FIG. 4 is a second side view of the design of FIG. 1; FIG. 5 is a first end view of the design of FIG. 1; FIG. 6 is a second end view of the design of FIG. 1; FIG. 7 is a front isometric view of a second embodiment of our new design; FIG. 8 is a front view of the design of FIG. 7; FIG. 9 is a first side view of the design of FIG. 7; FIG. 10 is a second side view of the design of FIG. 7; FIG. 11 is a first end view of the design of FIG. 7; and, FIG. 12 is a second end view of the design of FIG. 7. The broken lines in the figures are for illustrative purposes only and form no part of the claimed design.

**1 Claim, 10 Drawing Sheets**



(56)

References Cited

U.S. PATENT DOCUMENTS

5,950,812	A	9/1999	Tanacan et al.	
D473,528	S *	4/2003	Wengrower .....	D13/169
6,891,117	B1 *	5/2005	Gouhl .....	H01H 23/205 200/339
6,909,060	B1 *	6/2005	Shotey .....	H01H 23/04 200/331
D534,875	S *	1/2007	Wu .....	D13/169
7,244,891	B2	7/2007	Schmieta et al.	
7,265,308	B2 *	9/2007	Endres .....	H01H 19/635 200/17 R
7,285,723	B2 *	10/2007	Lindenstrauss .....	H02G 3/125 174/66
D576,961	S *	9/2008	Kidman .....	D13/169
D583,335	S *	12/2008	Ni .....	D13/169
D609,650	S *	2/2010	Chou .....	D13/169
7,667,155	B1 *	2/2010	Ni .....	H01H 23/145 200/331
7,745,750	B2 *	6/2010	Hewson .....	H01H 3/0213 200/315
7,777,145	B2 *	8/2010	Burrell .....	H01H 23/30 200/330
8,029,301	B2	10/2011	Kidman	
D666,562	S	9/2012	Alderson et al.	
8,299,359	B2 *	10/2012	Alderson .....	H02G 3/14 174/53
8,393,747	B2	3/2013	Kevelos et al.	
D733,075	S *	6/2015	Junko .....	D13/169
2006/0065510	A1 *	3/2006	Kiko .....	H01H 9/161 200/1 R
2007/0193863	A1 *	8/2007	Wu .....	H01H 3/161 200/61.72

\* cited by examiner

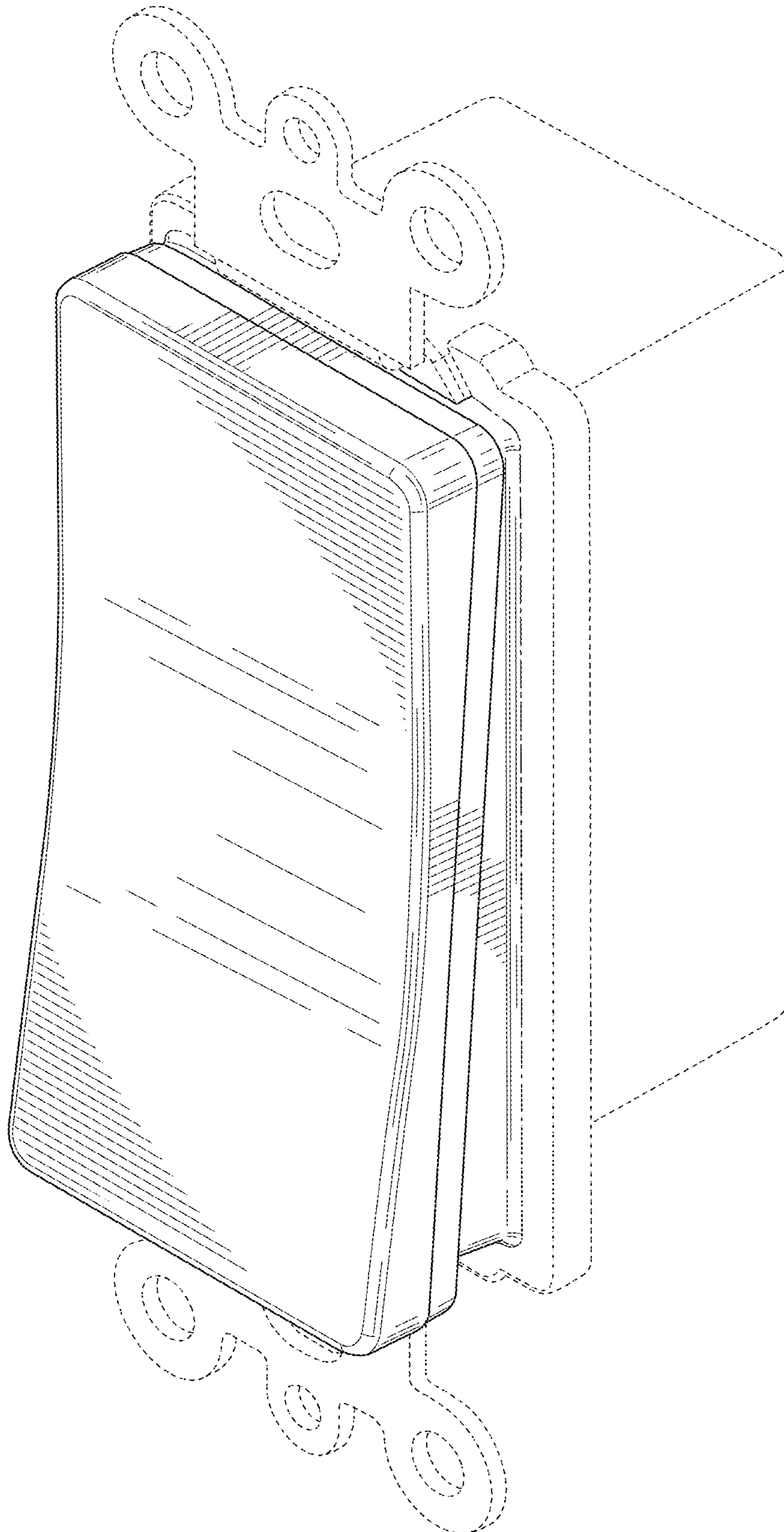


FIG. 1

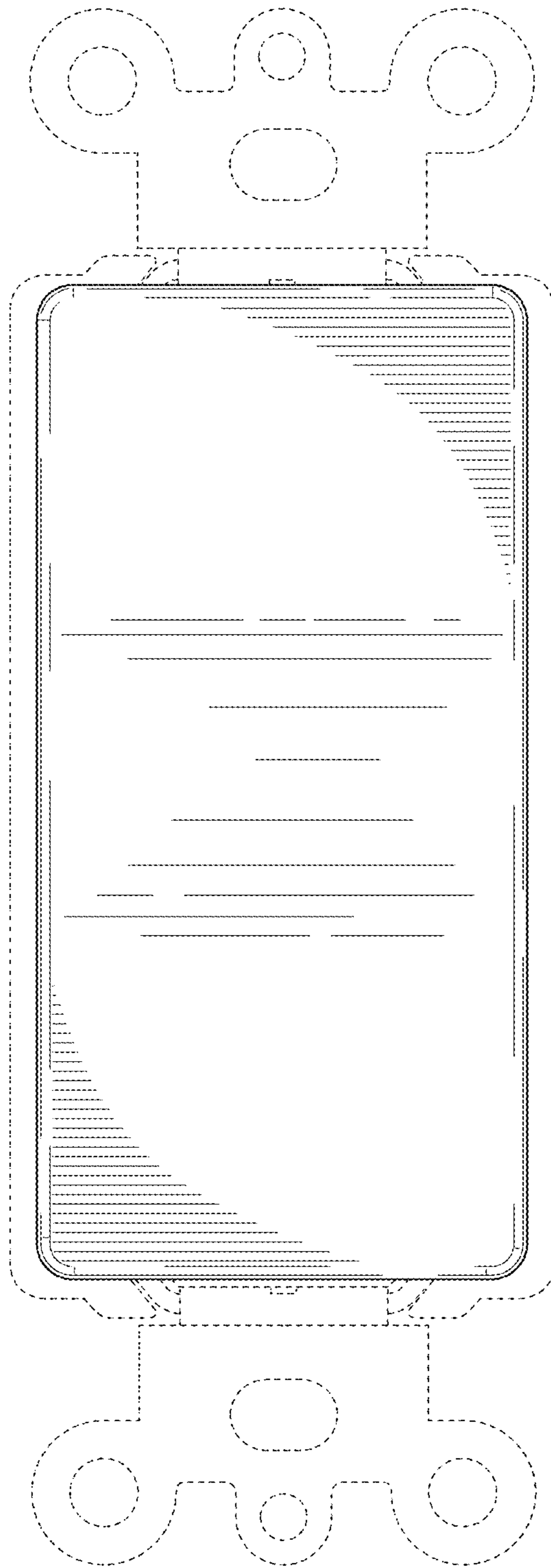


FIG. 2

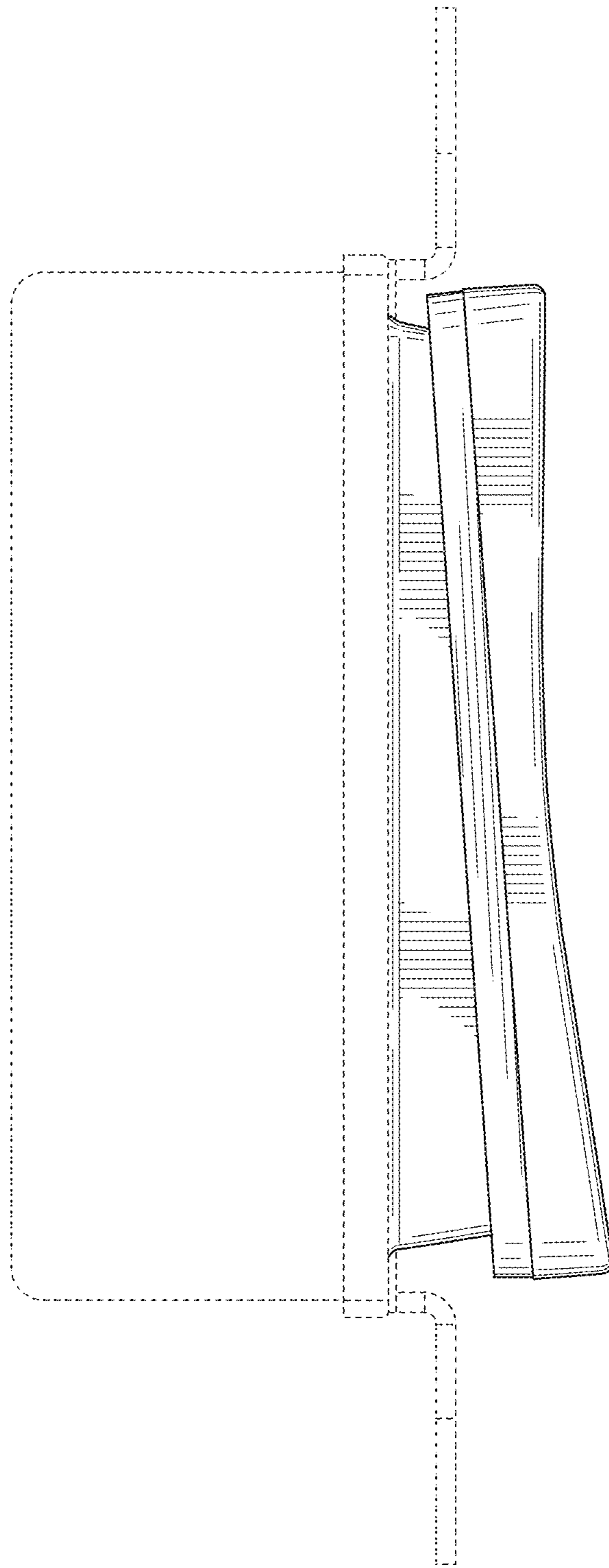


FIG. 3



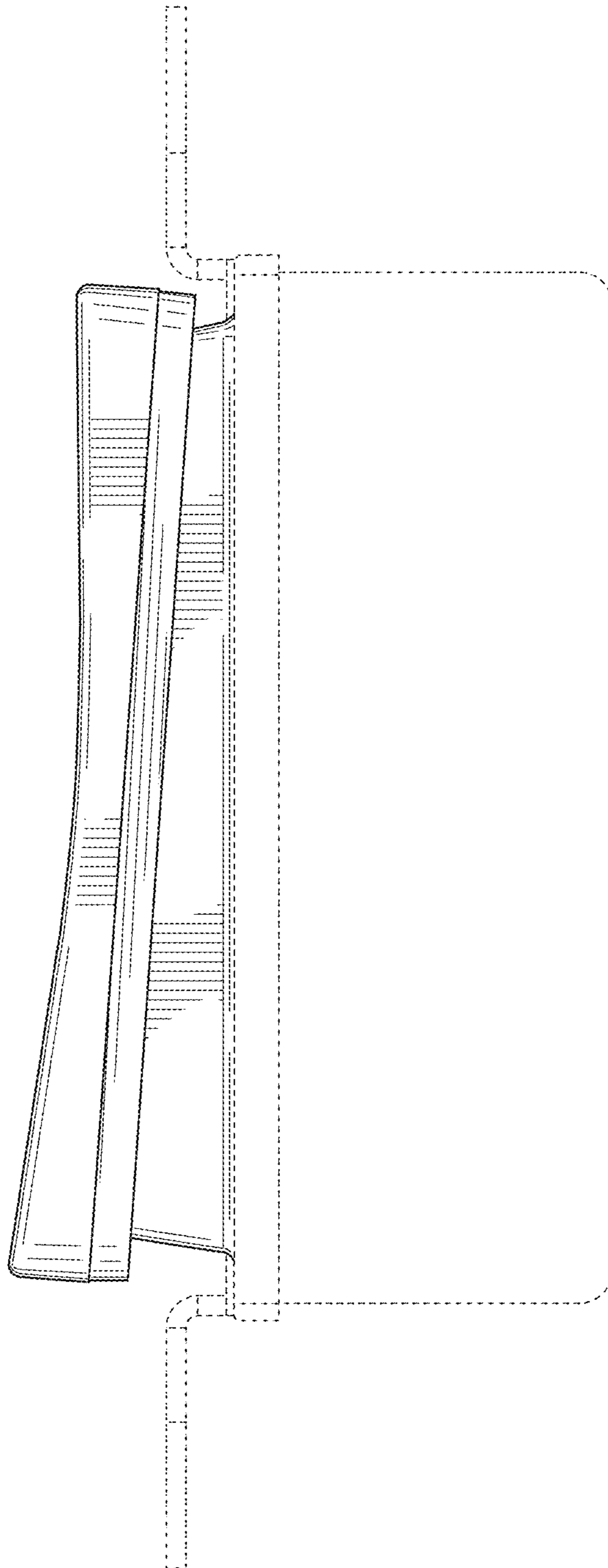


FIG. 4

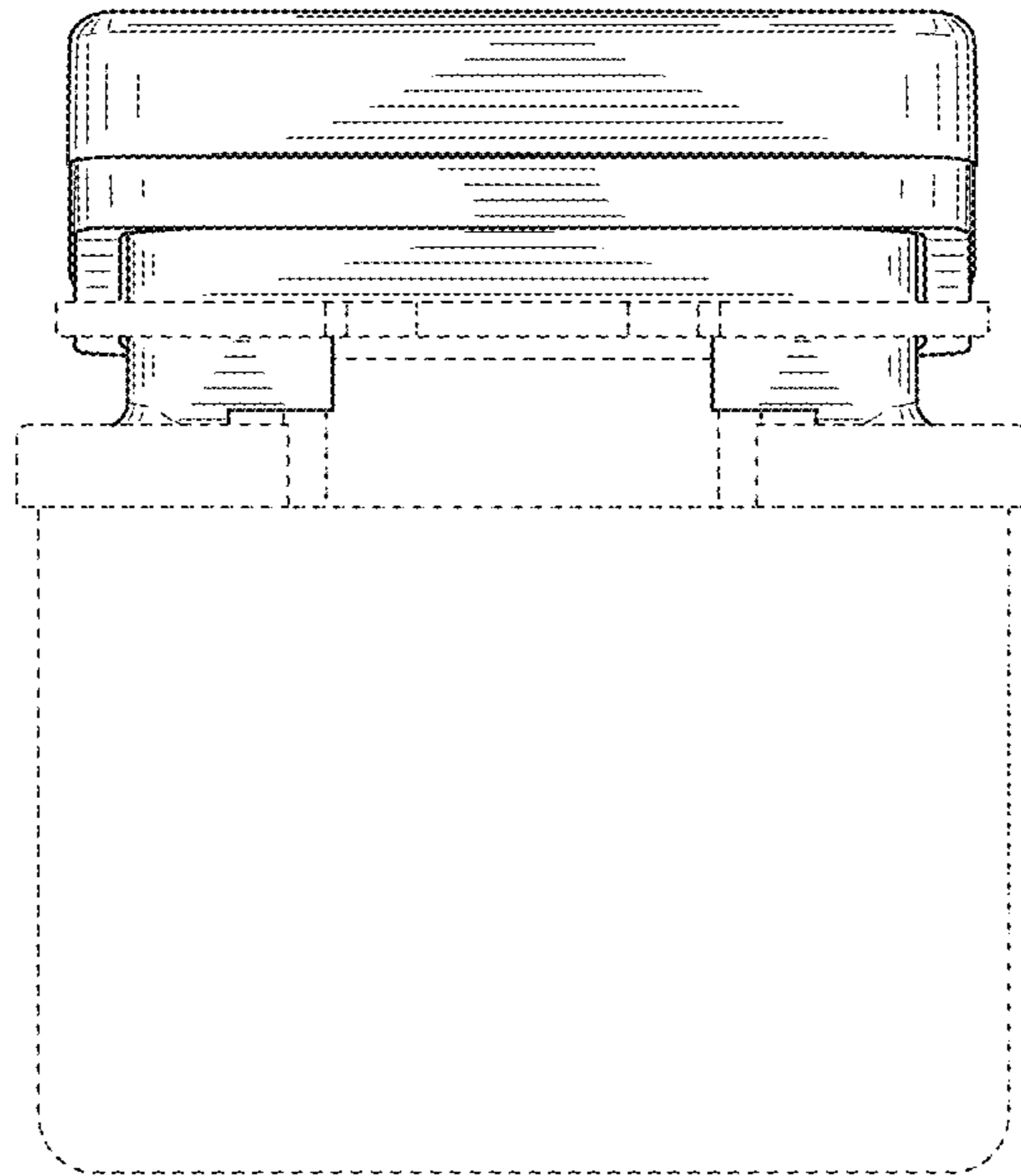


FIG. 5

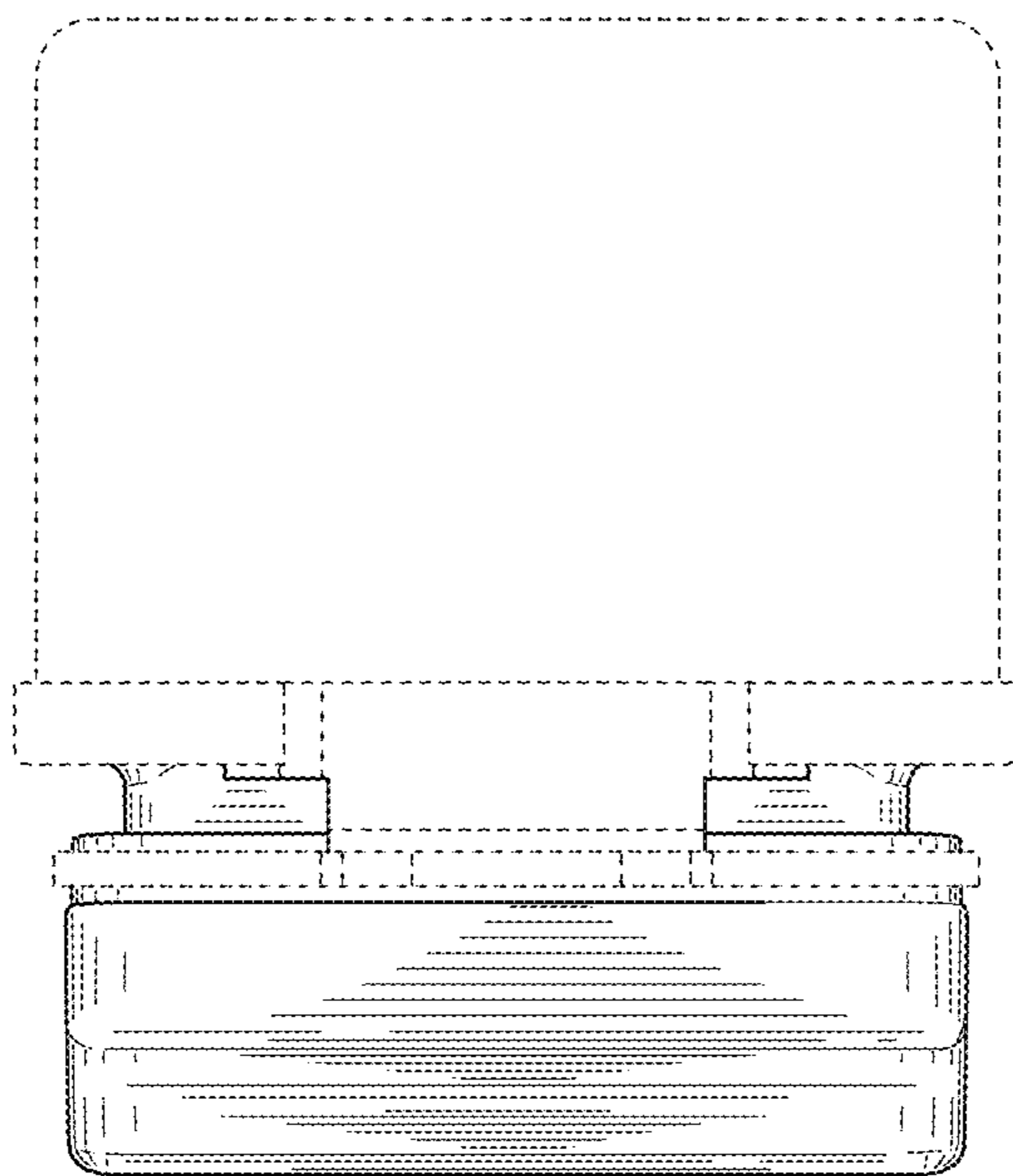


FIG. 6

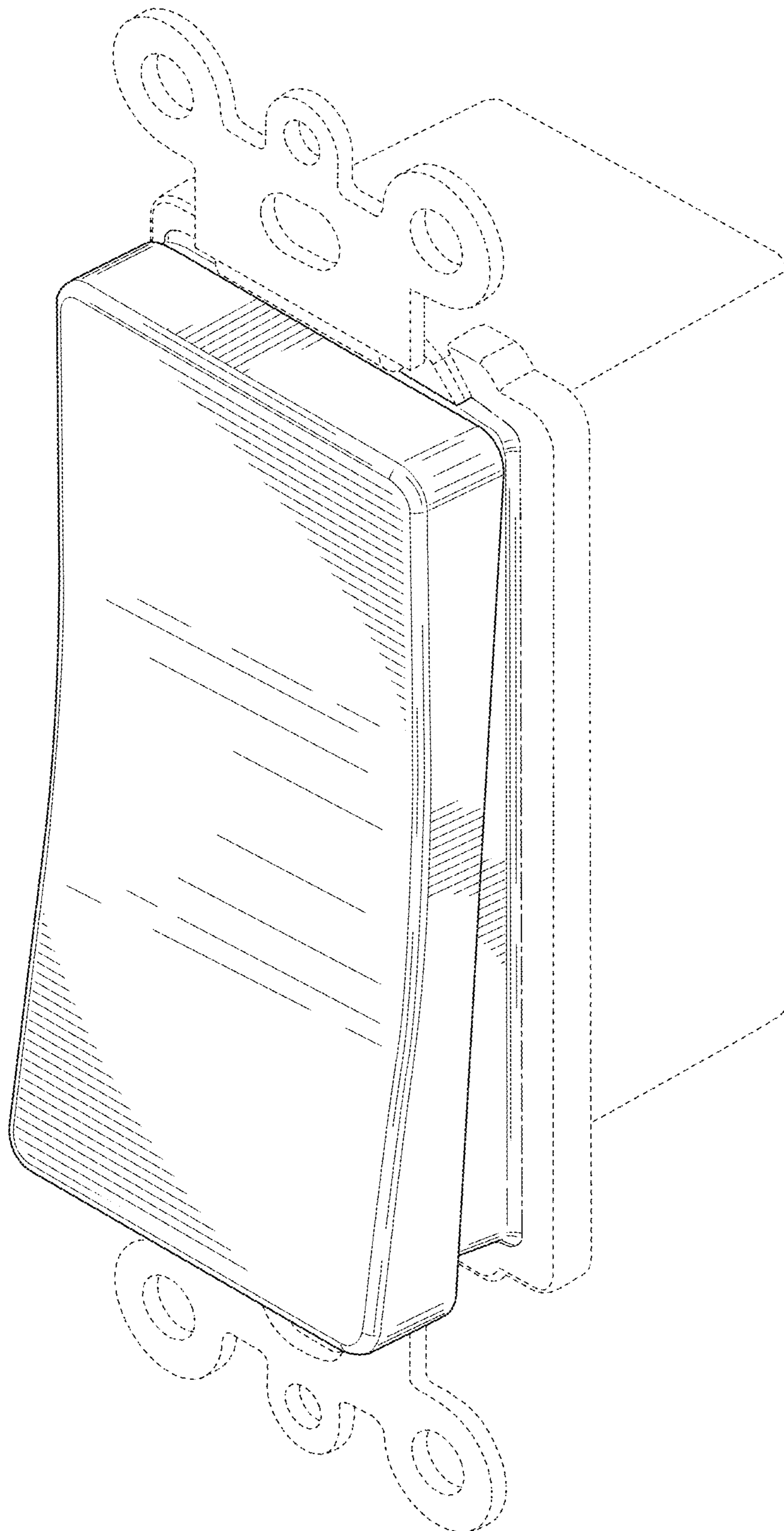


FIG. 7



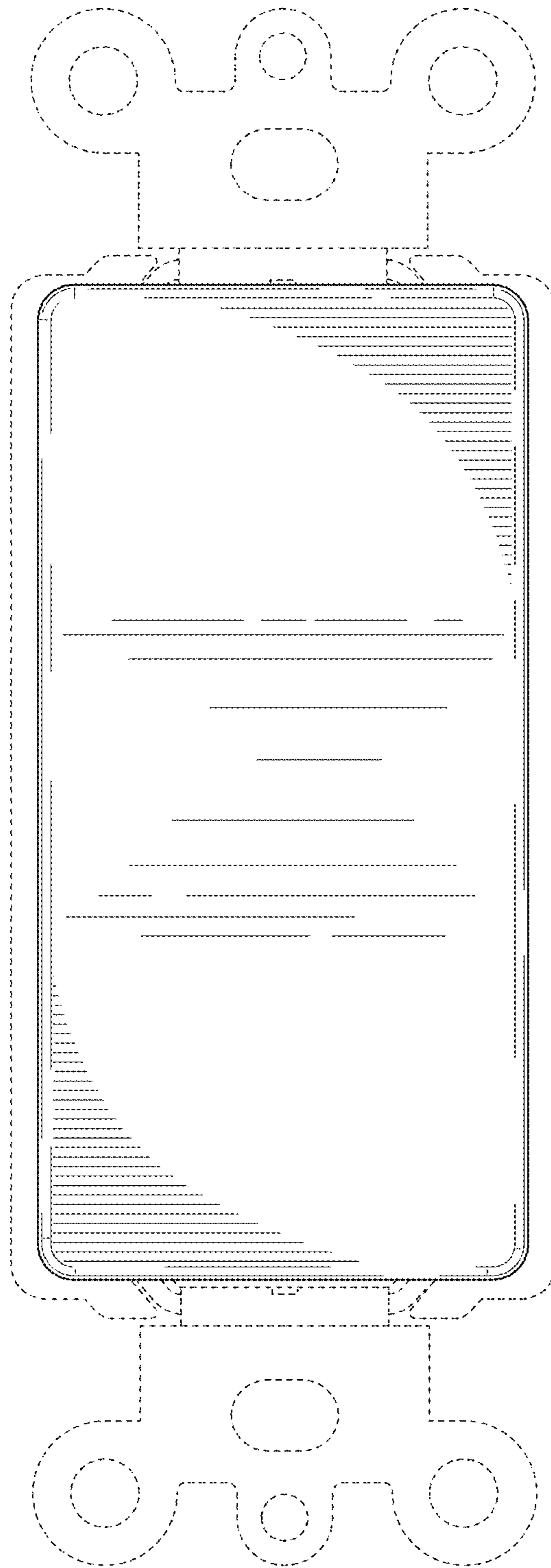


FIG. 8

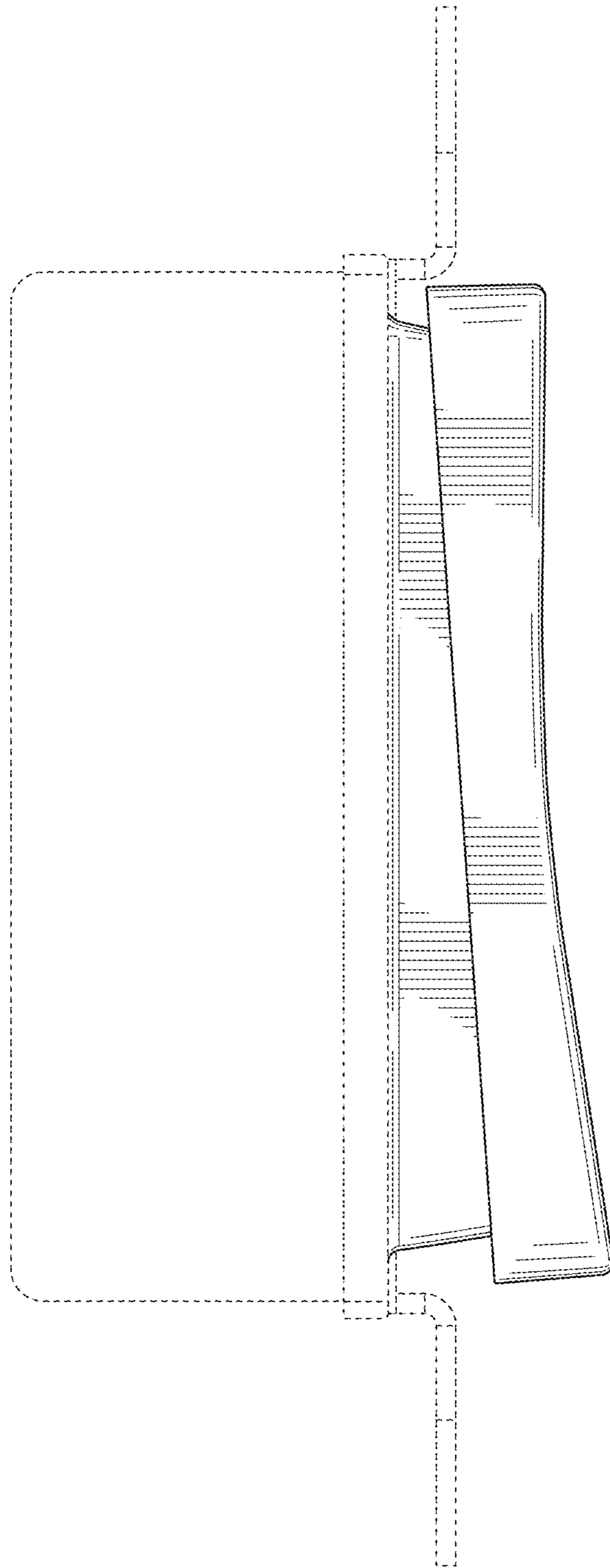


FIG. 9

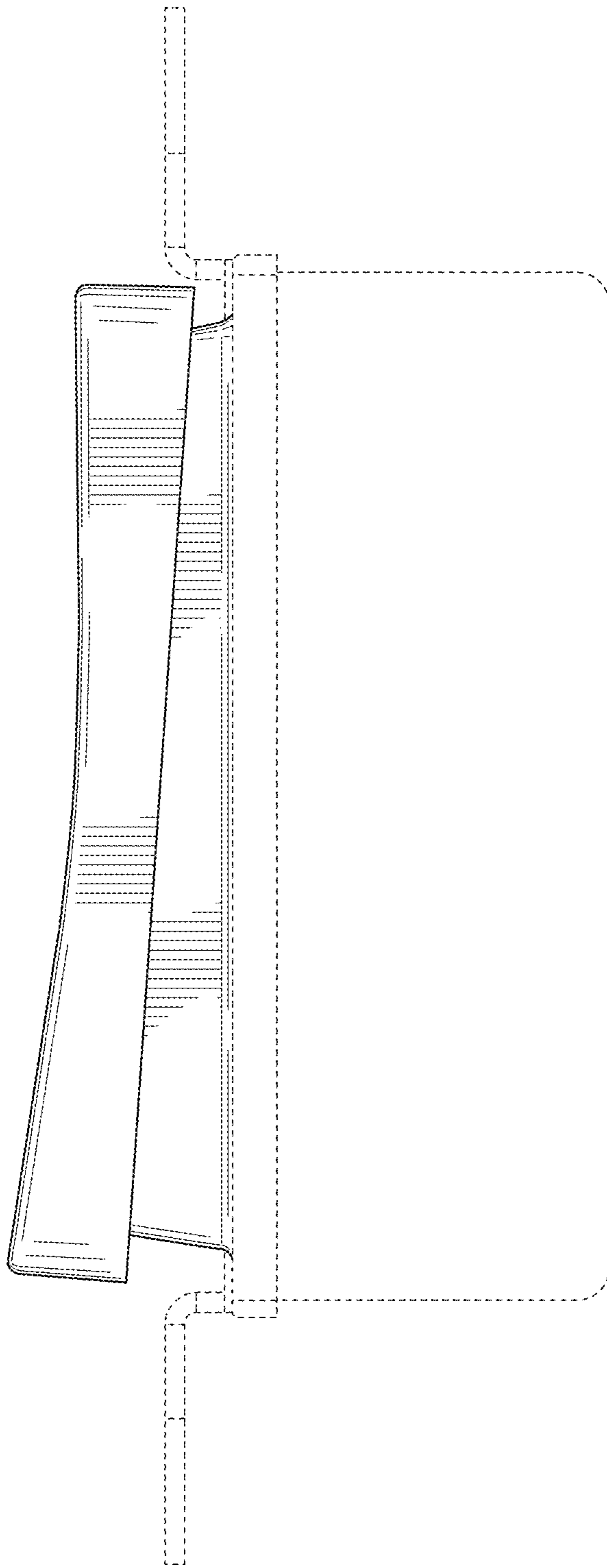


FIG. 10

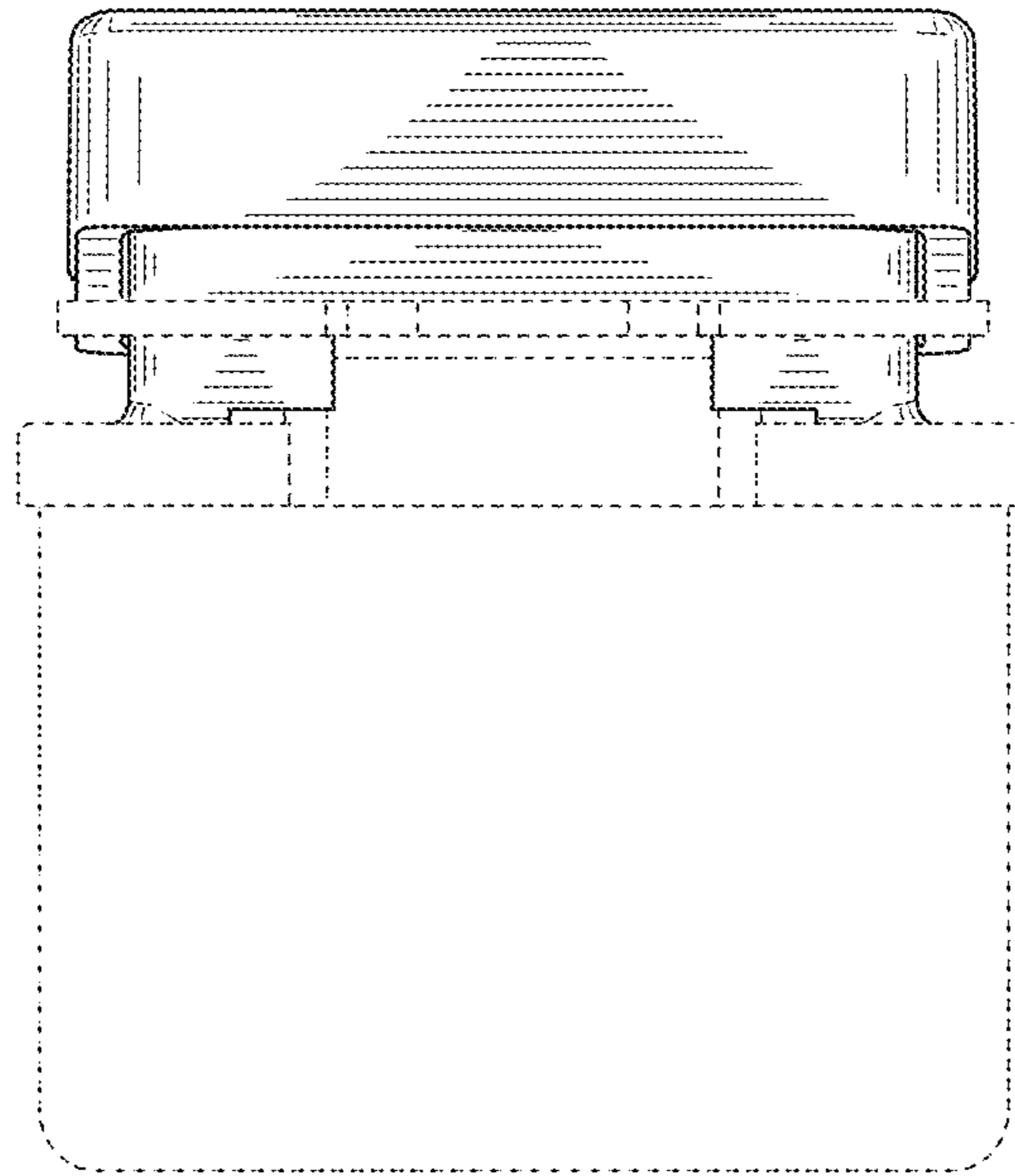


FIG. 11

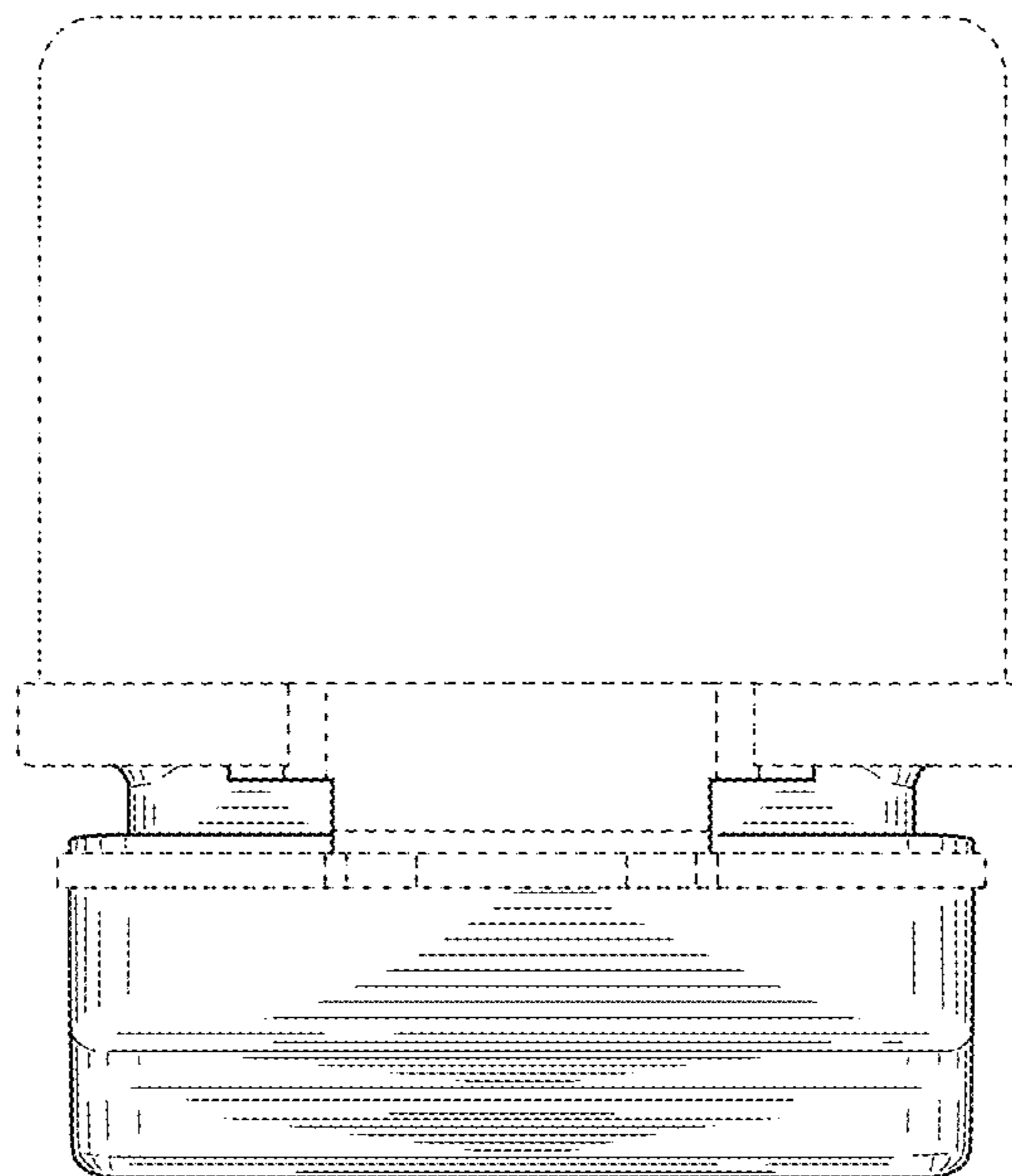


FIG. 12