



US00D777682S

(12) **United States Design Patent**
Miller

(10) **Patent No.:** **US D777,682 S**

(45) **Date of Patent:** **** Jan. 31, 2017**

- (54) **IRRIGATION CONTROLLER**
- (71) Applicant: **Robert Miller**, Montreal (CA)
- (72) Inventor: **Robert Miller**, Montreal (CA)
- (**) Term: **15 Years**
- (21) Appl. No.: **29/541,388**
- (22) Filed: **Oct. 2, 2015**
- (51) **LOC (10) Cl.** **13-03**
- (52) **U.S. Cl.**
USPC **D13/164**; D13/168
- (58) **Field of Classification Search**
USPC D13/162, 164, 168; D10/50; 700/284
CPC A01G 25/16; A01G 25/165; A01G 25/167;
H05K 5/0017; G05B 19/02; G05B 19/04;
G05B 19/042; G05B 19/0423; G05B
19/0426; Y10T 137/86389
See application file for complete search history.

- D608,301 S * 1/2010 Clark D13/162
- D613,255 S * 4/2010 Paul D13/162
- D621,794 S * 8/2010 Haeske D13/164
- D622,621 S * 8/2010 Choi D10/50
- D669,036 S * 10/2012 Apruzzese D13/164
- D691,966 S * 10/2013 Stossell D13/162
- 8,660,705 B2 * 2/2014 Woytowitz A01G 25/167
137/78.3
- 8,706,307 B2 * 4/2014 Weiler A01G 25/16
239/69
- D725,608 S * 3/2015 Kosuge D13/168
- 9,144,204 B2 * 9/2015 Redmond A01G 25/167
- 2006/0030971 A1 * 2/2006 Nelson A01G 25/165
700/284
- 2007/0156290 A1 * 7/2007 Froman A01G 25/165
700/284
- 2013/0269798 A1 * 10/2013 Wood A01G 25/167
137/551

* cited by examiner

Primary Examiner — Selina Sikder

(56) **References Cited**

U.S. PATENT DOCUMENTS

- D403,972 S * 1/1999 Gaskell D10/50
- 5,921,280 A * 7/1999 Ericksen A01G 25/167
137/624.11
- 6,240,336 B1 * 5/2001 Brundisini G05B 19/0426
239/436
- 6,259,955 B1 * 7/2001 Brundisini G05B 19/0426
239/69
- 6,507,775 B1 * 1/2003 Simon A01G 25/16
137/624.11
- D492,264 S * 6/2004 Perez D13/162
- D493,148 S * 7/2004 Shibata D13/168
- 6,996,457 B2 * 2/2006 Williams A01G 25/16
239/69
- 7,058,479 B2 * 6/2006 Miller A01G 25/16
239/69
- D564,456 S * 3/2008 Weiler D13/162

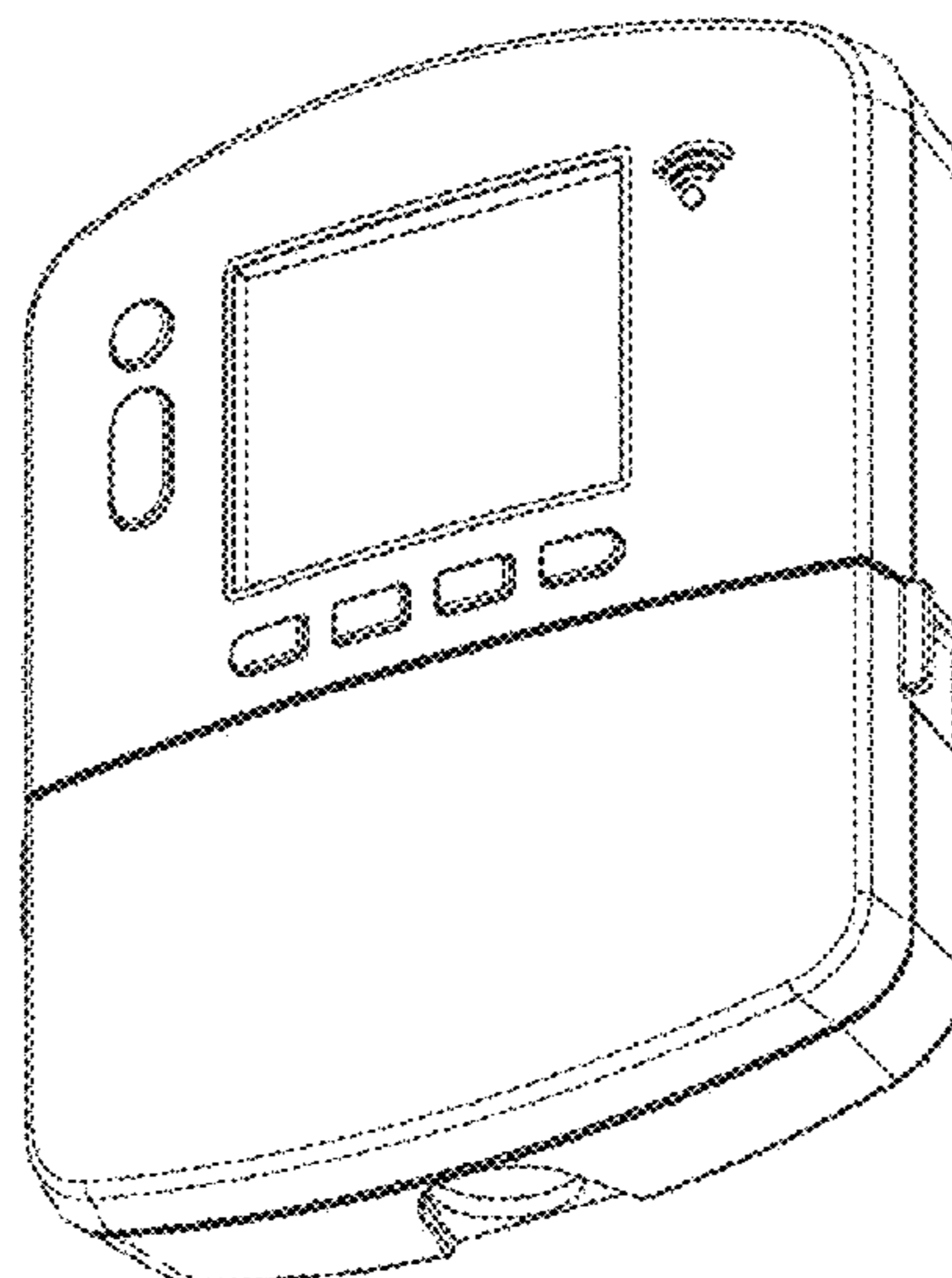
(57) **CLAIM**

I claim the ornamental design for an irrigation controller, as shown and described.

DESCRIPTION

FIG. 1 is a front perspective view of the irrigation controller showing my new design;
FIG. 2 is a front view thereof;
FIG. 3 is a front view thereof showing a variation of the design;
FIG. 4 is a left view thereof;
FIG. 5 is a right view thereof;
FIG. 6 is a top view thereof; and,
FIG. 7 is a bottom view thereof.

1 Claim, 4 Drawing Sheets



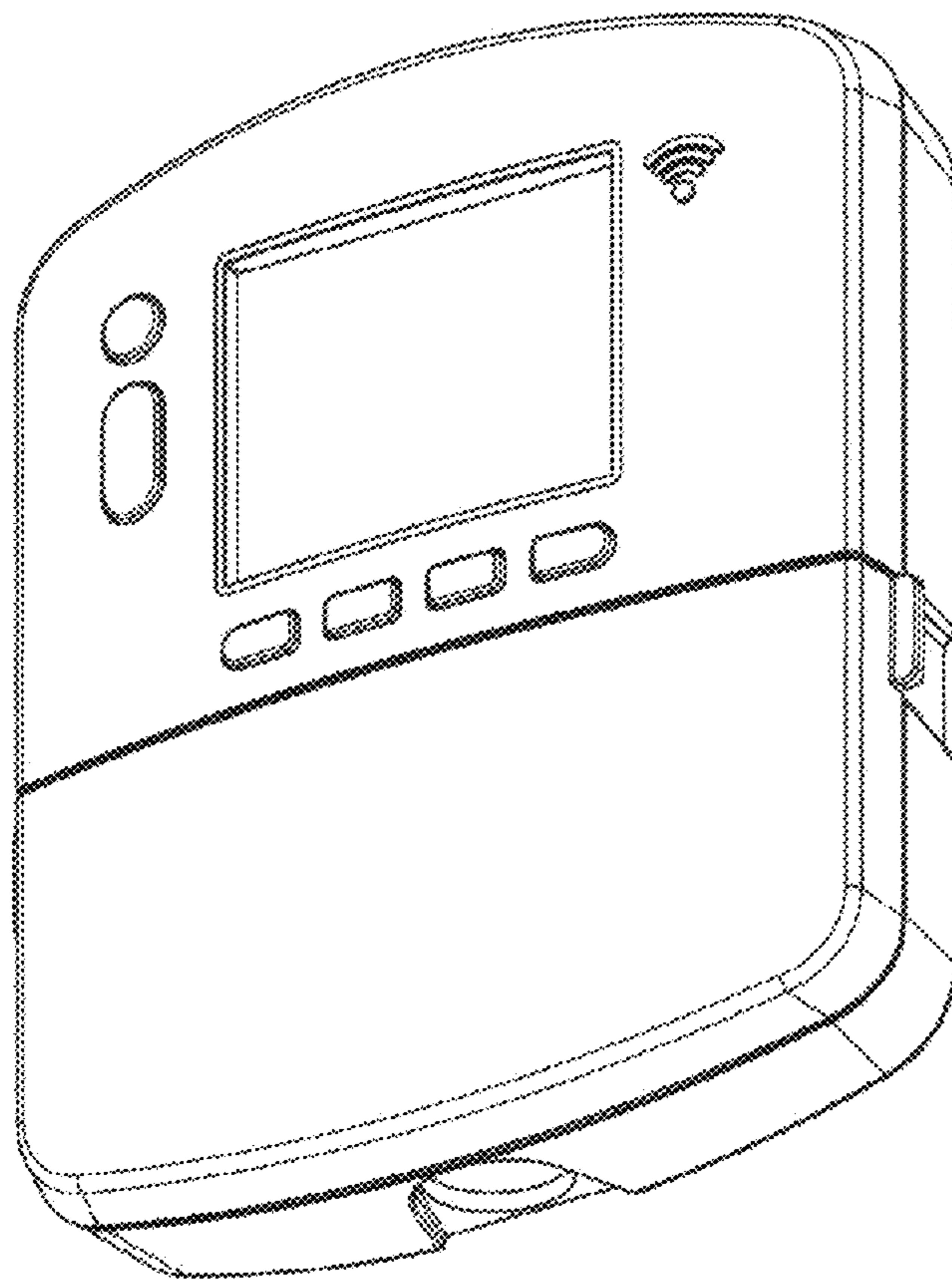


FIG. 1

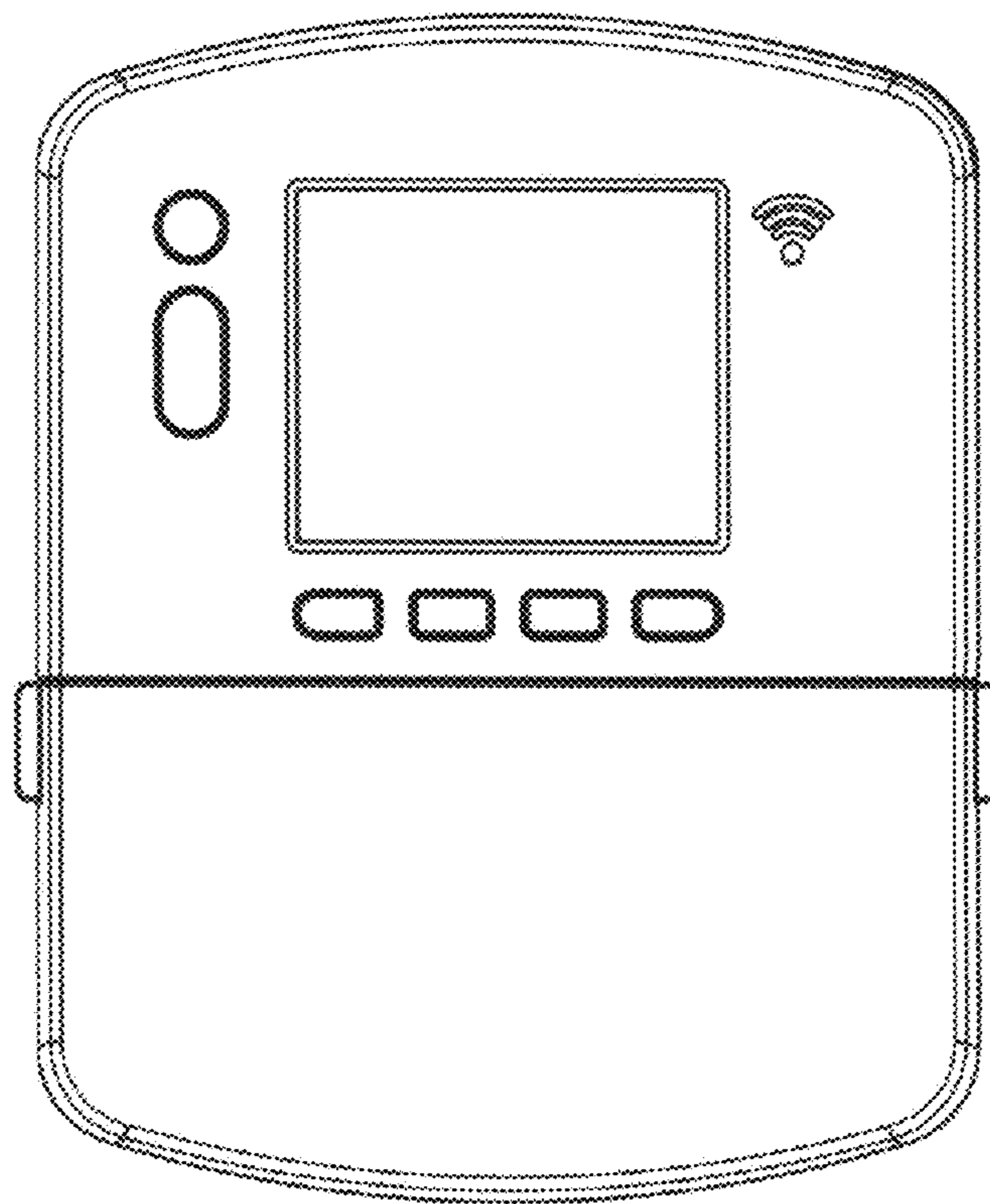


FIG. 2

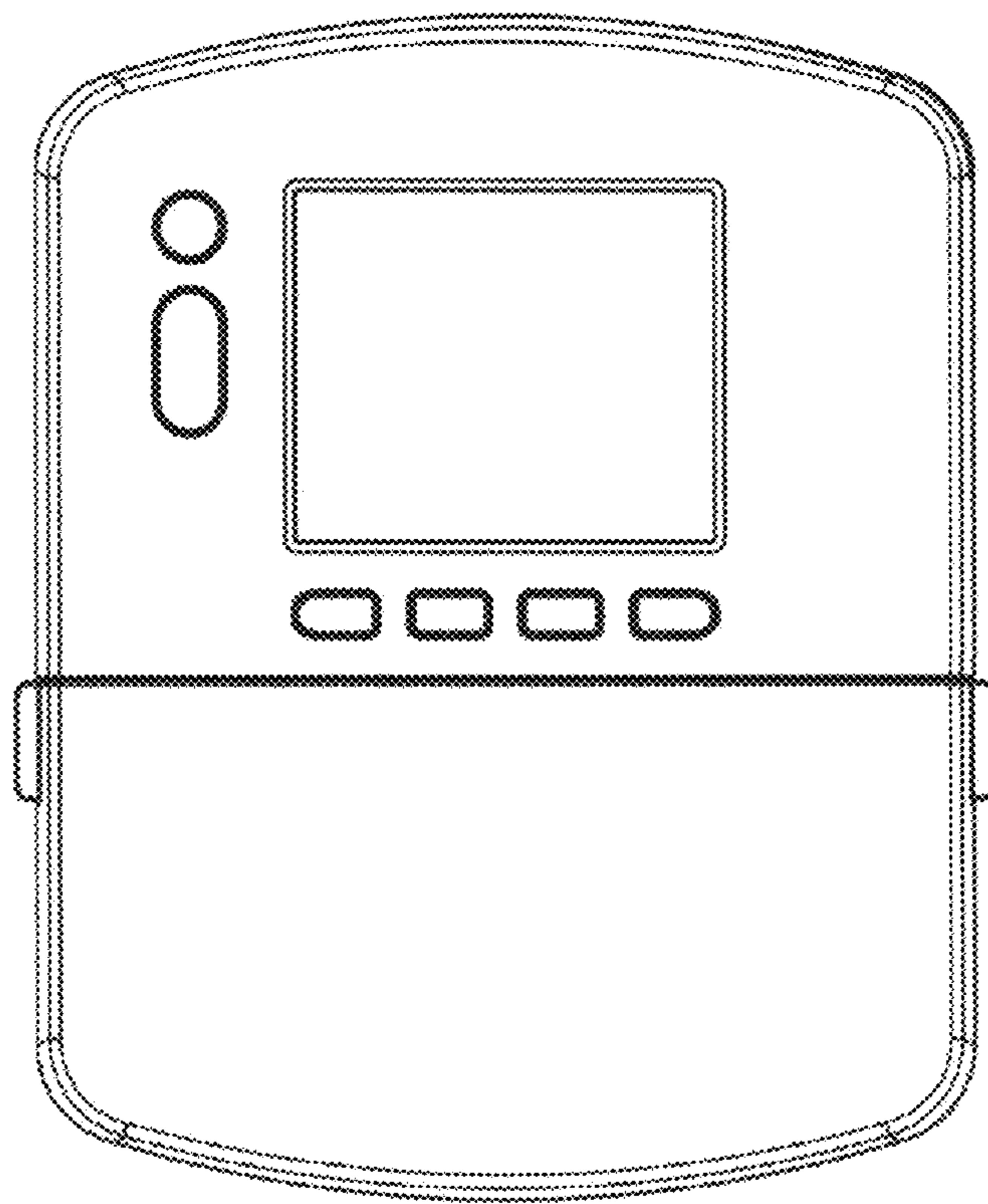


FIG. 3

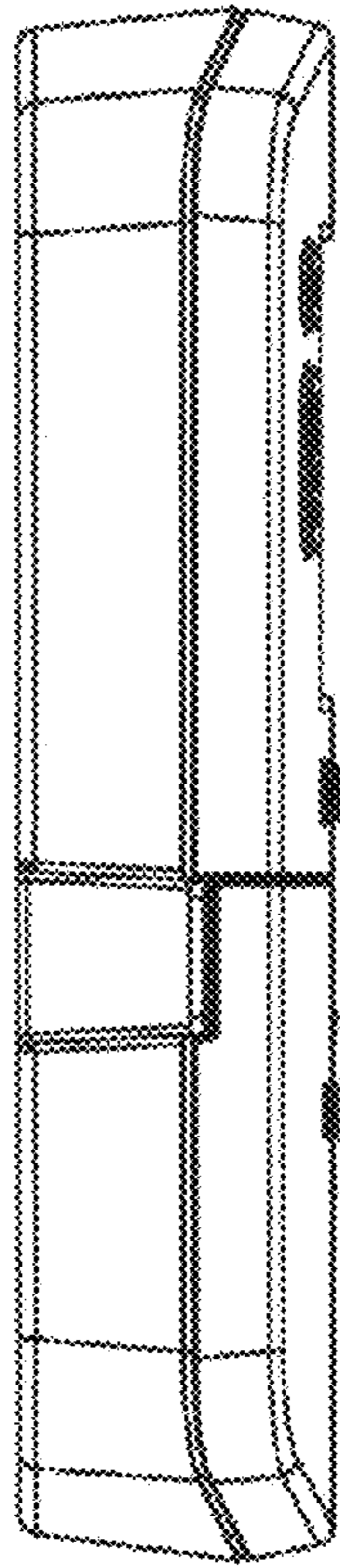


FIG. 4

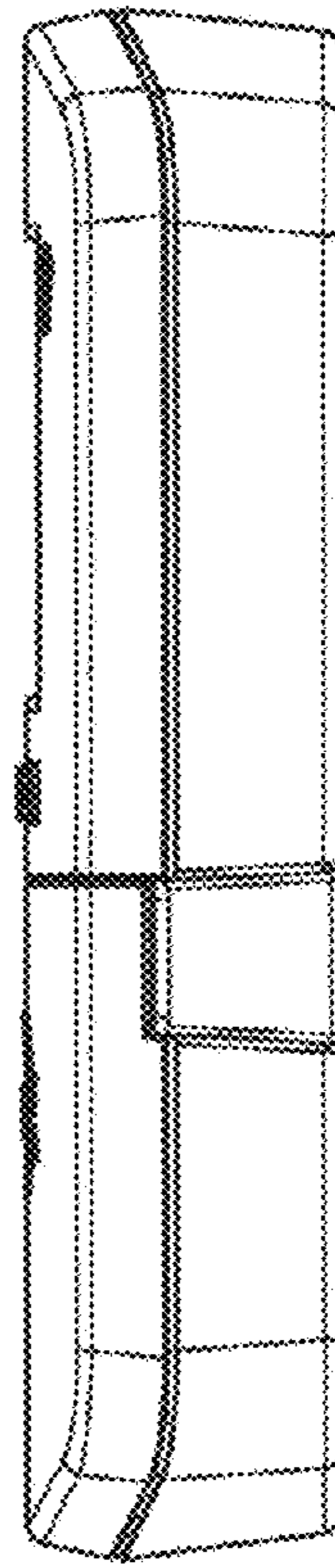


FIG. 5



FIG. 6

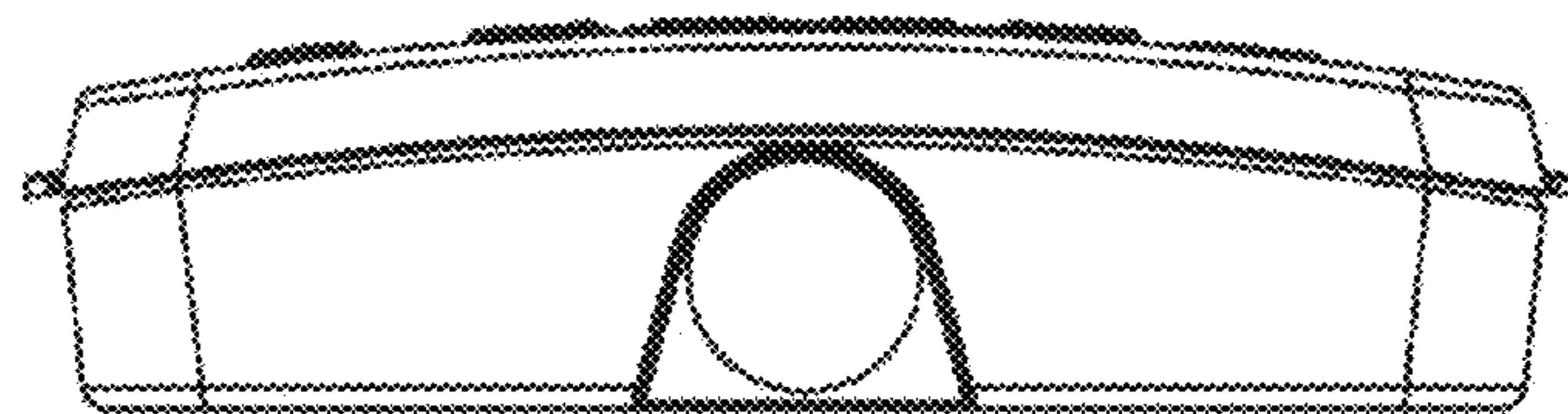


FIG. 7