



US00D777681S

(12) **United States Design Patent**
Okamoto et al.

(10) **Patent No.:** **US D777,681 S**

(45) **Date of Patent:** **** Jan. 31, 2017**

- (54) **OPTICAL FIBER ARRAY**
- (71) Applicant: **ADAMANT CO., LTD.**, Tokyo (JP)
- (72) Inventors: **Tsutomu Okamoto**, Kawaguchi (JP);
Yuki Ueno, Tokyo (JP); **Yoshihiro Iijima**, Tokyo (JP)
- (73) Assignee: **ADAMANT CO., LTD.**, Tokyo (JP)

D577,672	S *	9/2008	Yao	D13/133
D640,639	S *	6/2011	Gravolin	D13/133
8,398,314	B2 *	3/2013	Ko	G02B 6/3817 385/53
D704,668	S *	5/2014	Millevik	D13/155
2002/0025104	A1 *	2/2002	Steinberg	G02B 6/3508 385/16
2012/0014650	A1 *	1/2012	Duis	G02B 6/3839 385/65
2015/0234126	A1 *	8/2015	Haase	G02B 6/389 385/59

(**) Term: **14 Years**

* cited by examiner

(21) Appl. No.: **29/510,341**

Primary Examiner — Daniel Bui

(22) Filed: **Nov. 26, 2014**

(74) *Attorney, Agent, or Firm* — Oliff PLC

(30) **Foreign Application Priority Data**

Jun. 25, 2014 (JP) 2014-013842

(51) **LOC (10) Cl.** **13-03**

(52) **U.S. Cl.**
USPC **D13/154**

(58) **Field of Classification Search**
USPC D13/133, 146, 147, 149, 154, 155, 156,
D13/184, 199; D14/433, 434, 435, 435.1,
D14/436, 438
CPC G02B 6/24; G02B 6/32; G02B 6/36;
G02B 6/38; G02B 6/42; G02B
6/44; G02B 6/46
See application file for complete search history.

(57) **CLAIM**

The ornamental design for an optical fiber array, as shown and described.

DESCRIPTION

FIG. 1 is a front view of an optical fiber array showing our new design, the rear view being a mirror image thereto; FIG. 2 is a right side view thereof; FIG. 3 is a left side view thereof; FIG. 4 is a top plan view thereof; FIG. 5 is a bottom view thereof; FIG. 6 is a sectional view taken along lines 6-6 in FIG. 5; FIG. 7 is a partially enlarged view of a portion surrounded by lines 7-7 in FIG. 5; FIG. 8 is a perspective view thereof; and, FIG. 9 is a perspective view showing the optical fiber array of FIG. 1 in a state of Use.

(56) **References Cited**

U.S. PATENT DOCUMENTS

D195,722	S *	7/1963	Forney, Jr. et al.	174/71 R
D332,253	S *	1/1993	Bossard	D13/156
5,736,672	A *	4/1998	Huang	H01F 17/06 174/377
7,158,712	B2 *	1/2007	Chou	G02B 6/2821 385/136

The broken lines depict environmental subject matter only and form no part of the claimed design.
The article pertaining to the design of the subject application constitutes an optical fiber array to be used to connect a plurality of optical fibers.

1 Claim, 9 Drawing Sheets

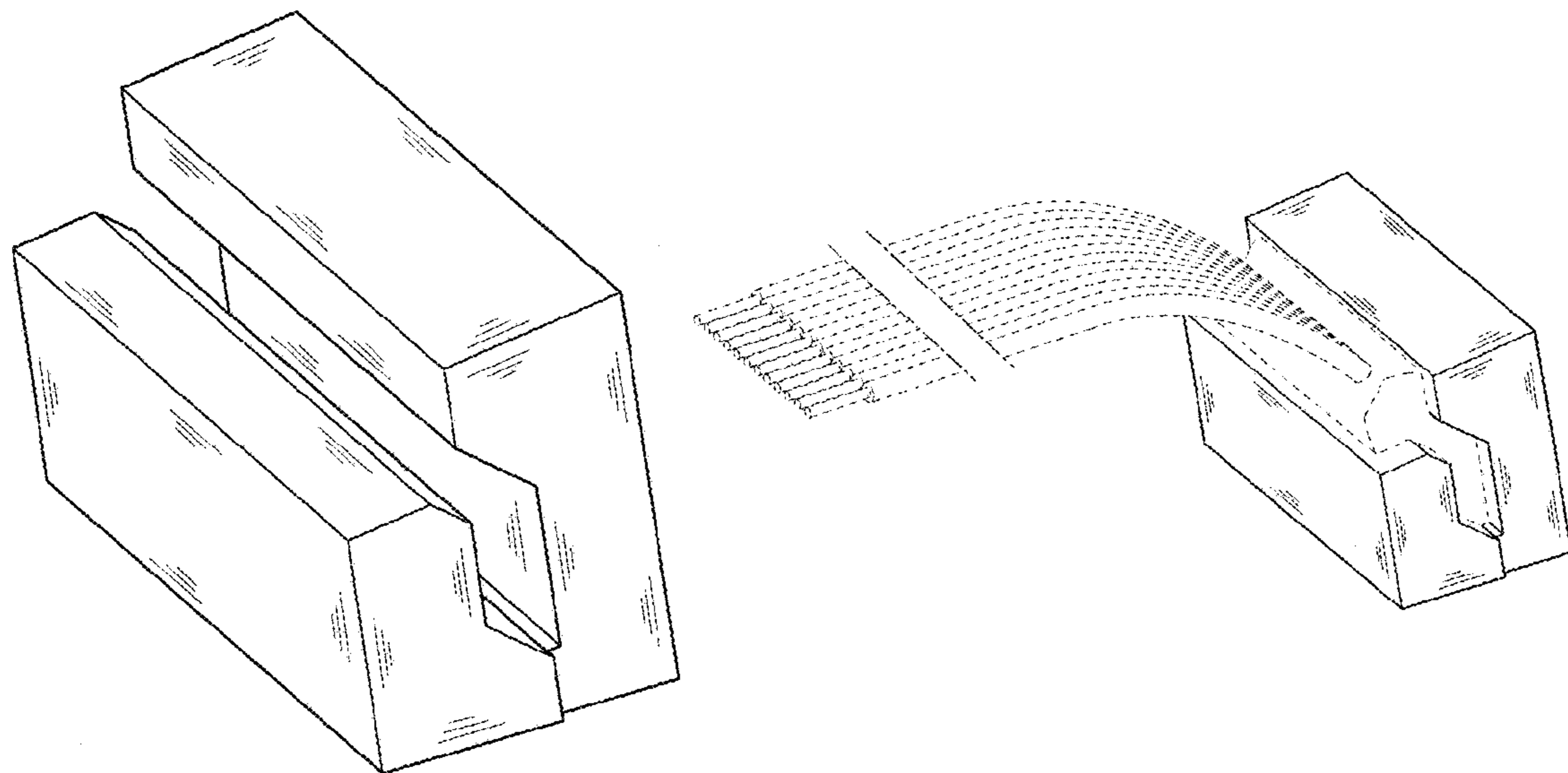


Fig. 1

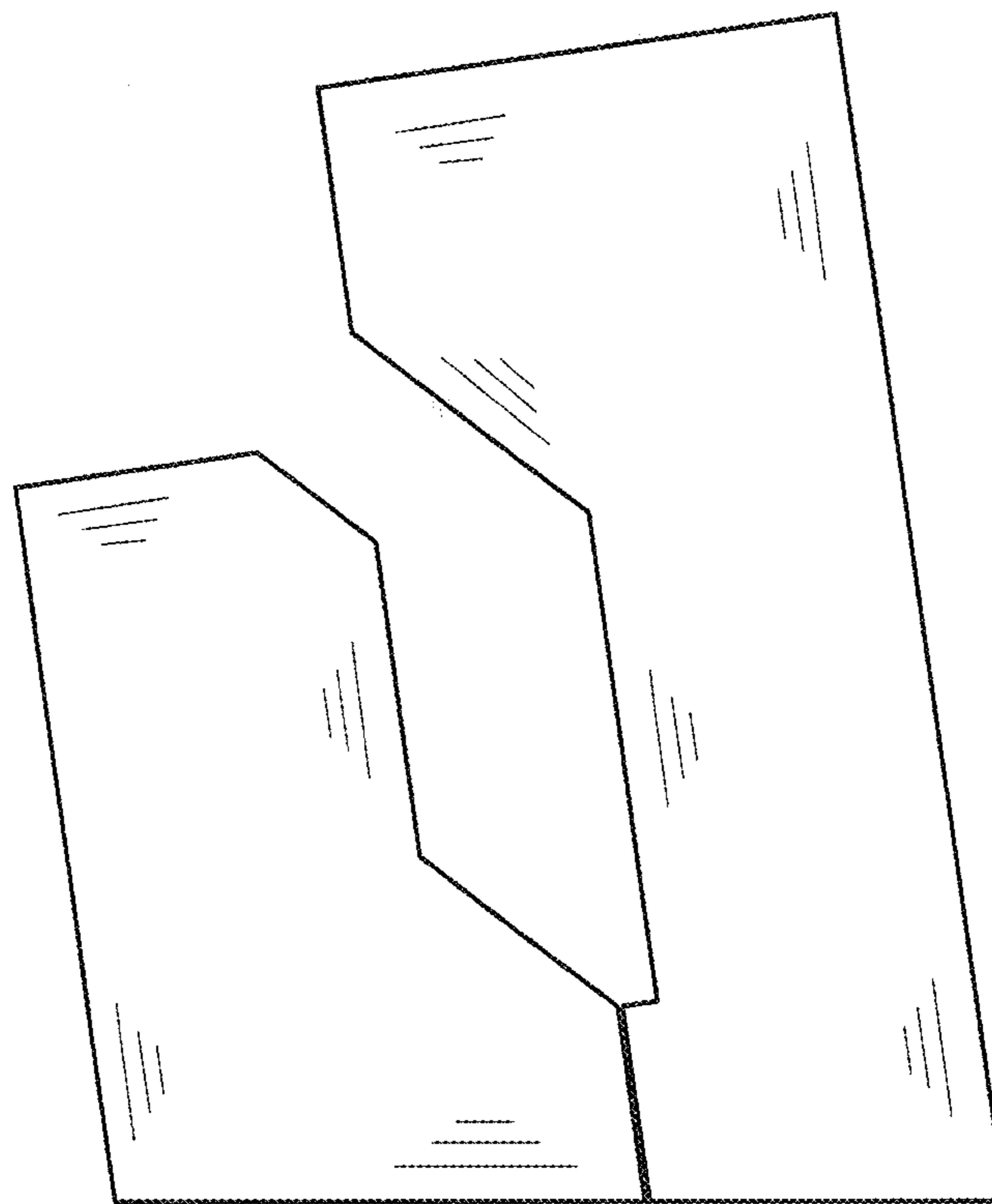


Fig. 2

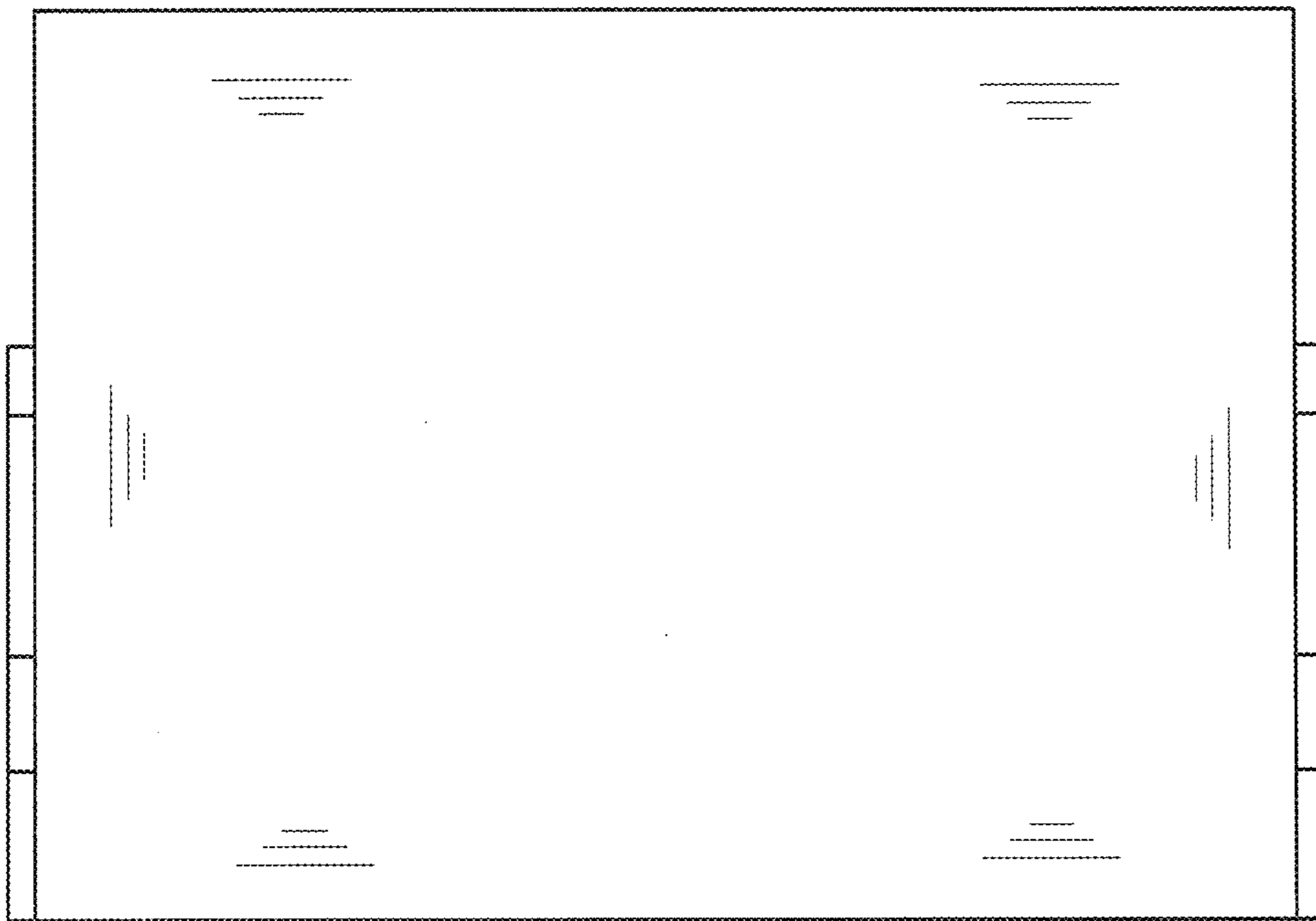


Fig. 3

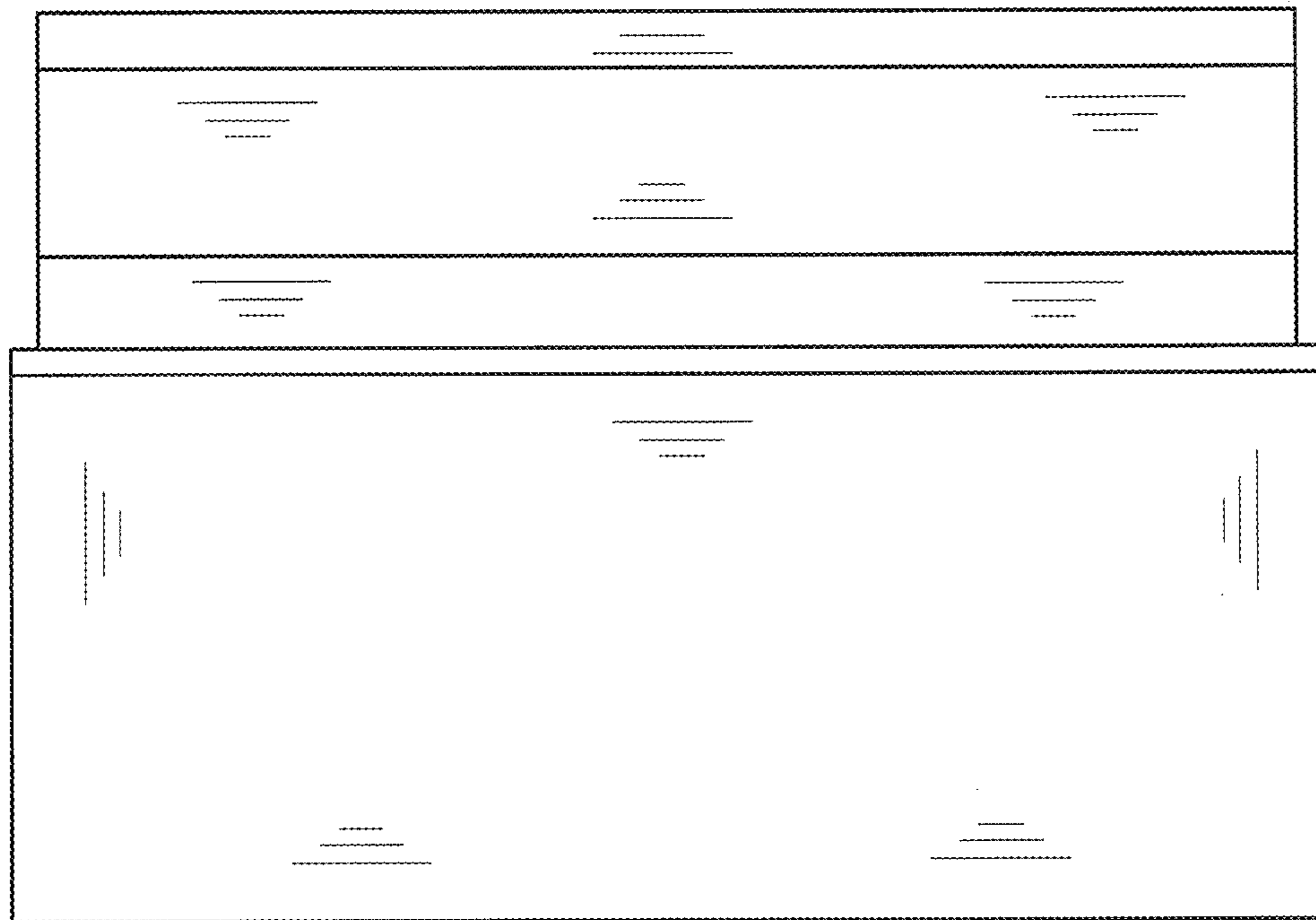


Fig. 4

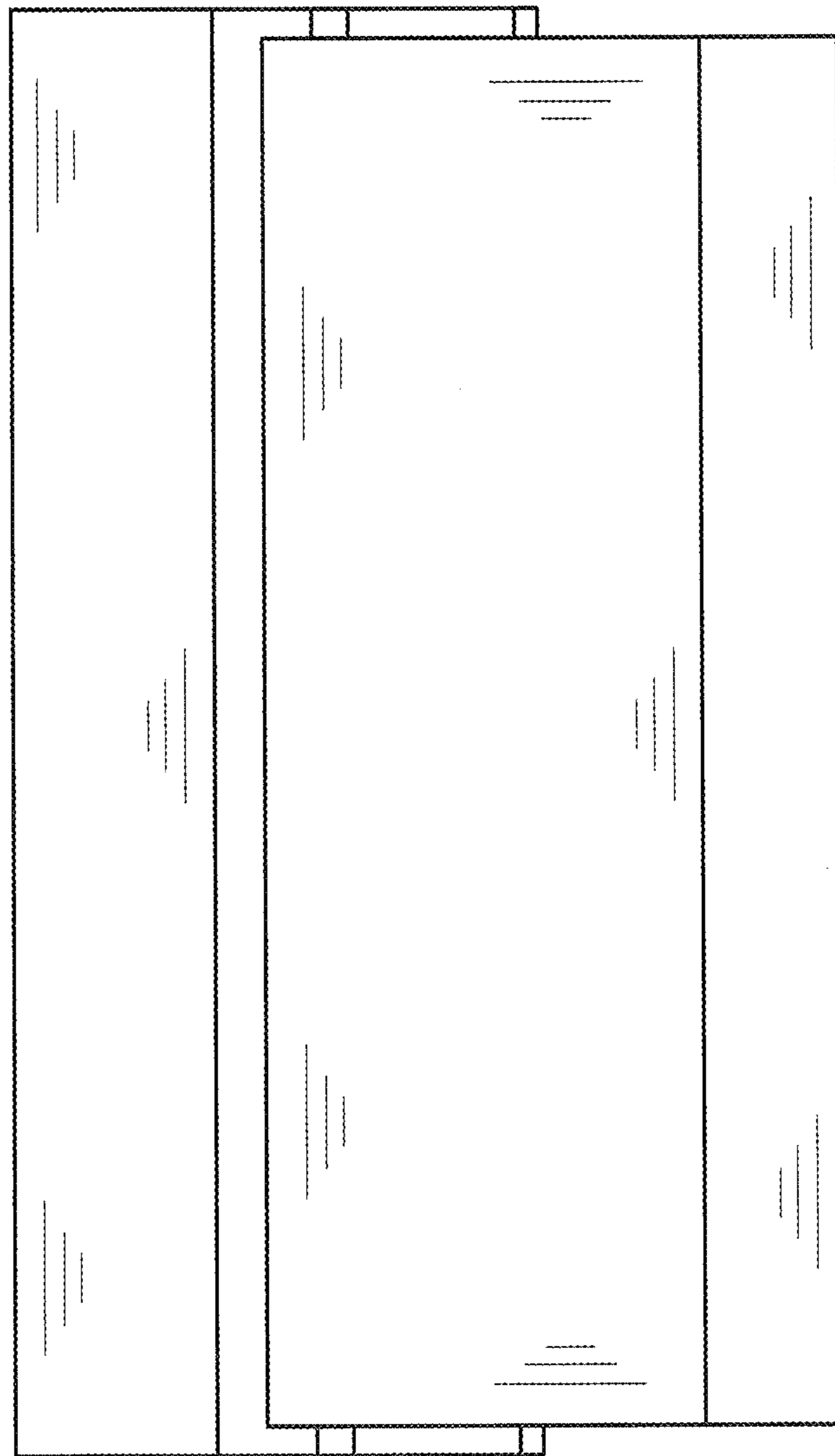


Fig.5

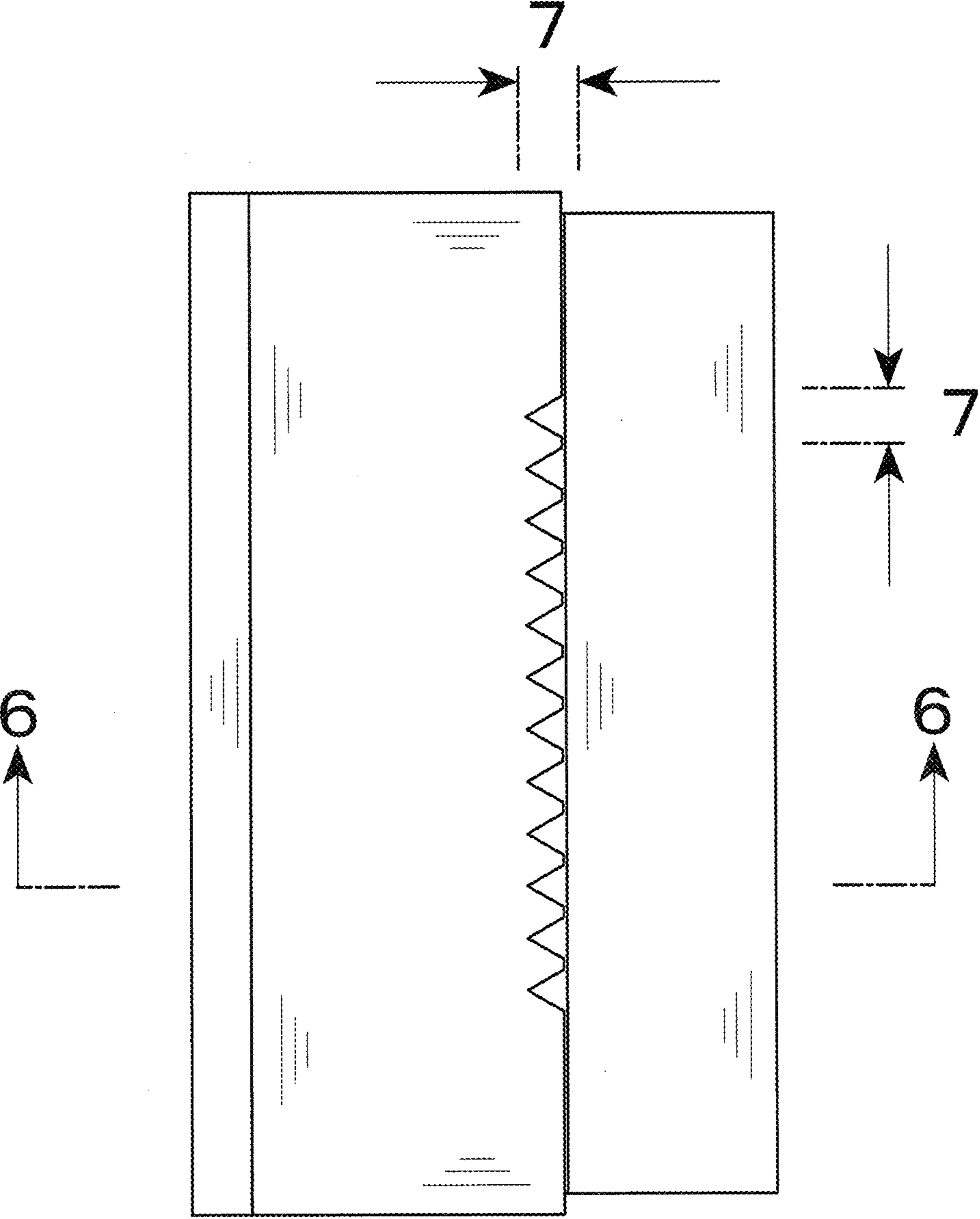


Fig. 6

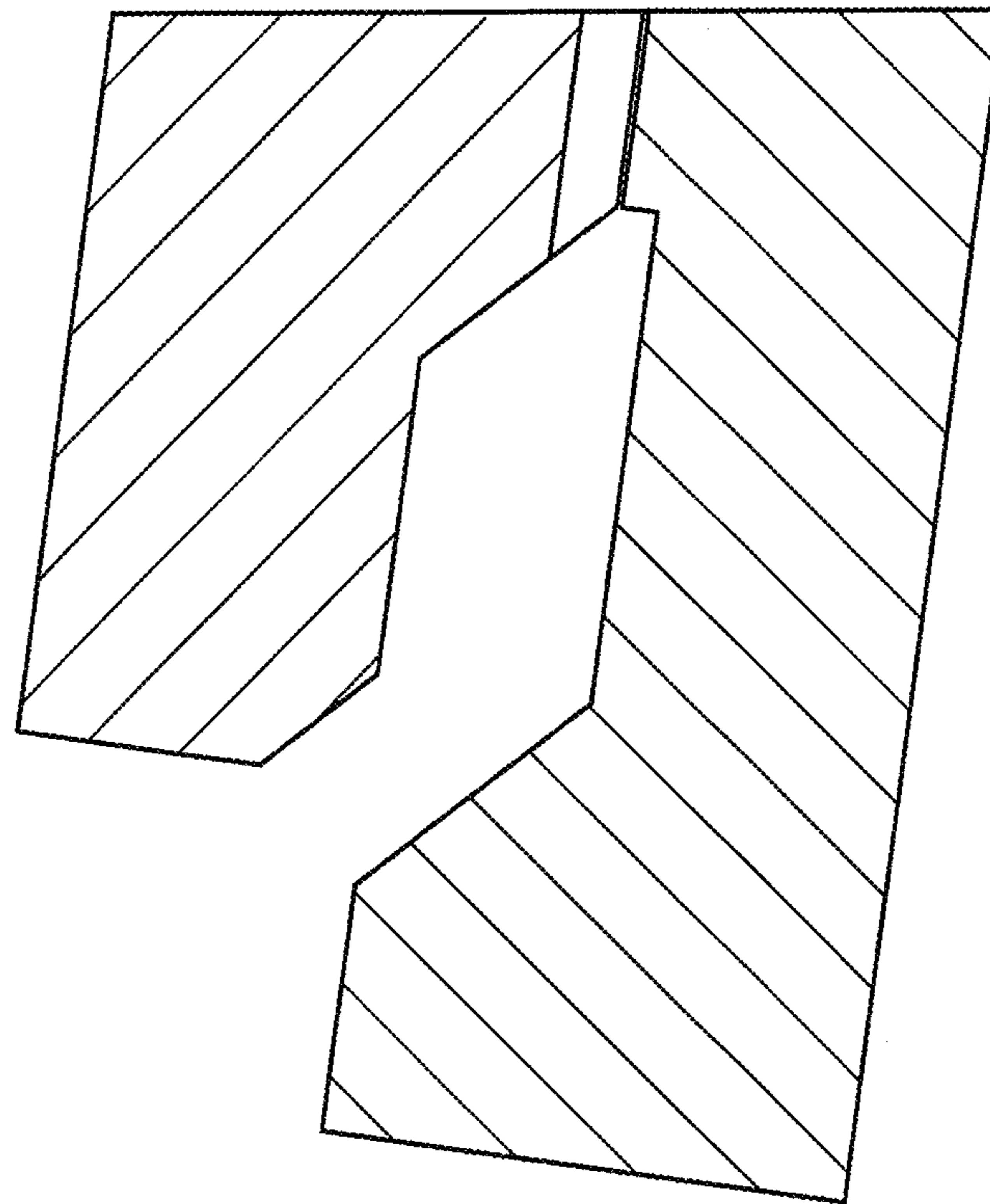


Fig. 7

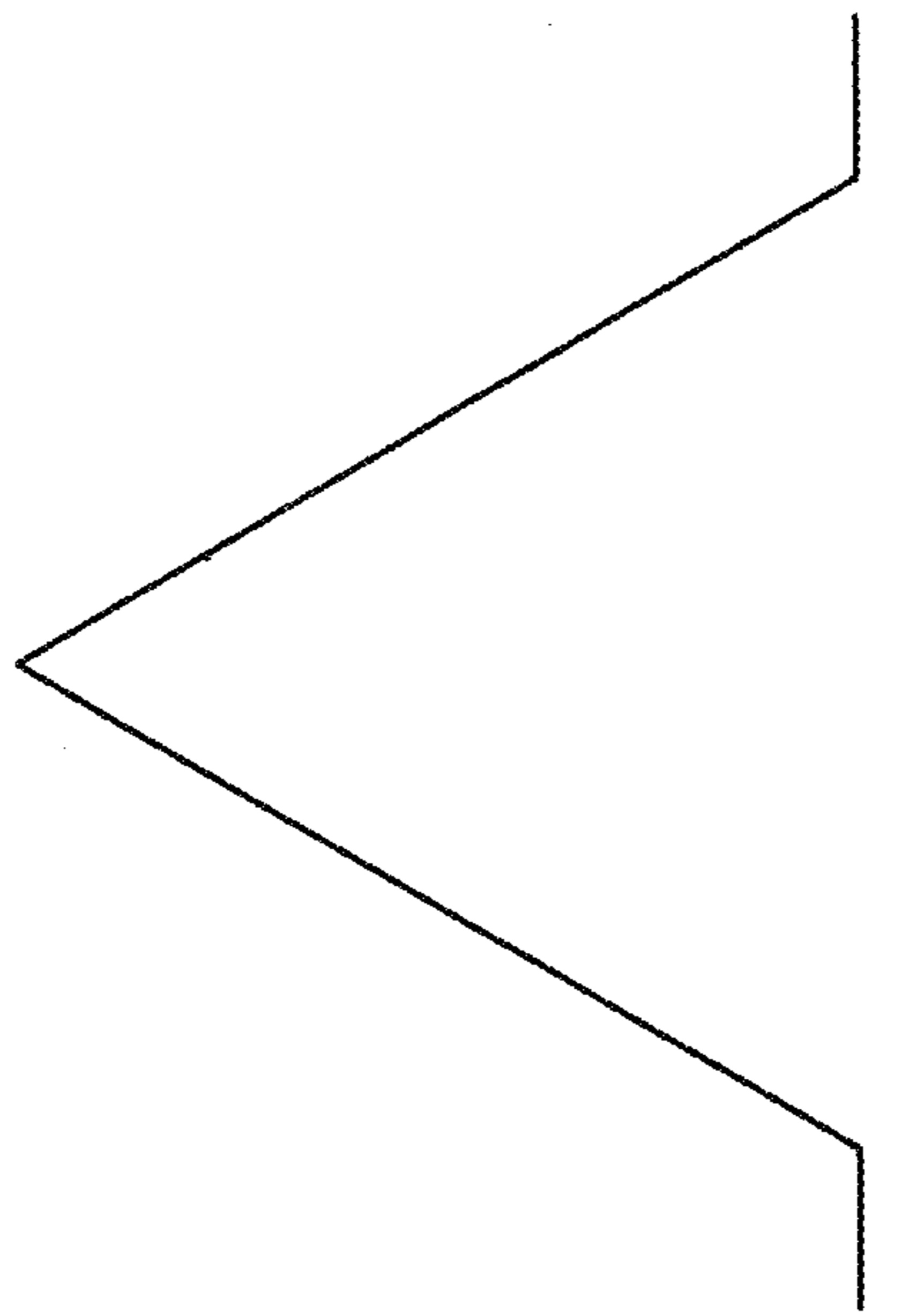


Fig. 8

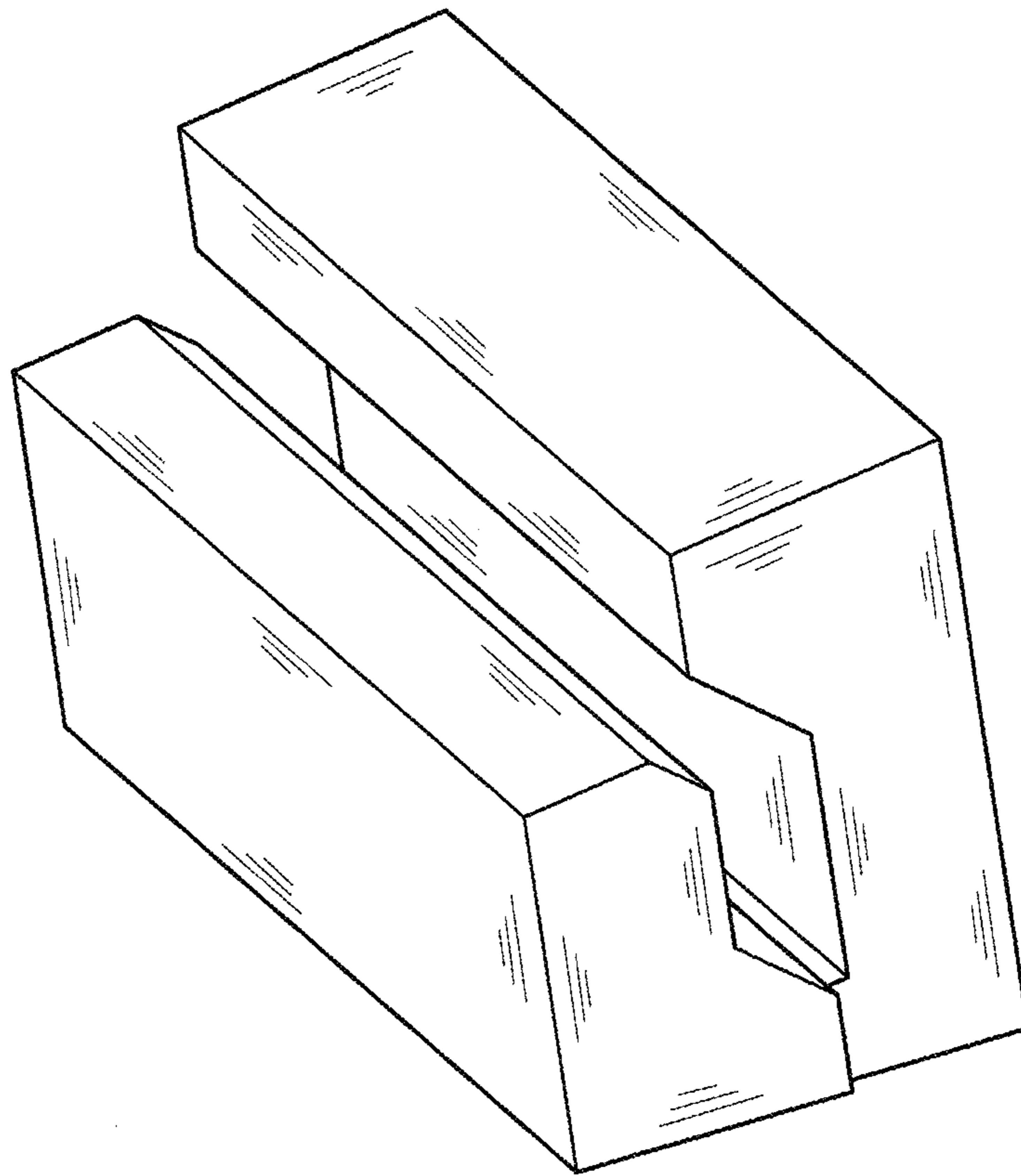


Fig. 9

