



US00D777679S

(12) **United States Design Patent**  
**Chia**

(10) **Patent No.:** **US D777,679 S**

(45) **Date of Patent:** **\*\* Jan. 31, 2017**

- (54) **STITCHED CABLE SLEEVE**
- (71) Applicant: **Ascent Star Limited**, North Point (HK)
- (72) Inventor: **Jenlin Chia**, Subiaco WA (AU)
- (73) Assignee: **Ascent Star Limited**, North Point (HK)
- (\*\*) Term: **15 Years**
- (21) Appl. No.: **29/554,984**
- (22) Filed: **Feb. 17, 2016**
- (51) **LOC (10) Cl.** ..... **13-03**
- (52) **U.S. Cl.**  
USPC ..... **D13/153**
- (58) **Field of Classification Search**  
USPC ..... D13/153, 147, 110, 103, 108, 155, 154;  
D8/356; D19/117; 174/135  
CPC ..... H01G 3/0481; H01G 3/22  
See application file for complete search history.

- D445,093 S \* 7/2001 Staskey ..... D13/156
- D628,461 S \* 12/2010 Stein, Jr. .... D8/356
- D672,391 S \* 12/2012 Peritz ..... D19/117
- D684,122 S \* 6/2013 Strater ..... D13/153
- D704,144 S \* 5/2014 Tangalakis ..... D13/153
- D729,176 S \* 5/2015 Herring ..... D13/155
- D743,909 S \* 11/2015 Furst ..... D13/153
- D760,667 S \* 7/2016 Grote ..... D13/153
- D762,588 S \* 8/2016 Chin ..... D13/155
- D763,197 S \* 8/2016 Beck ..... D13/153

\* cited by examiner

*Primary Examiner* — Rhea Shields

(74) *Attorney, Agent, or Firm* — Fredrikson & Byron, P.A.

(57) **CLAIM**

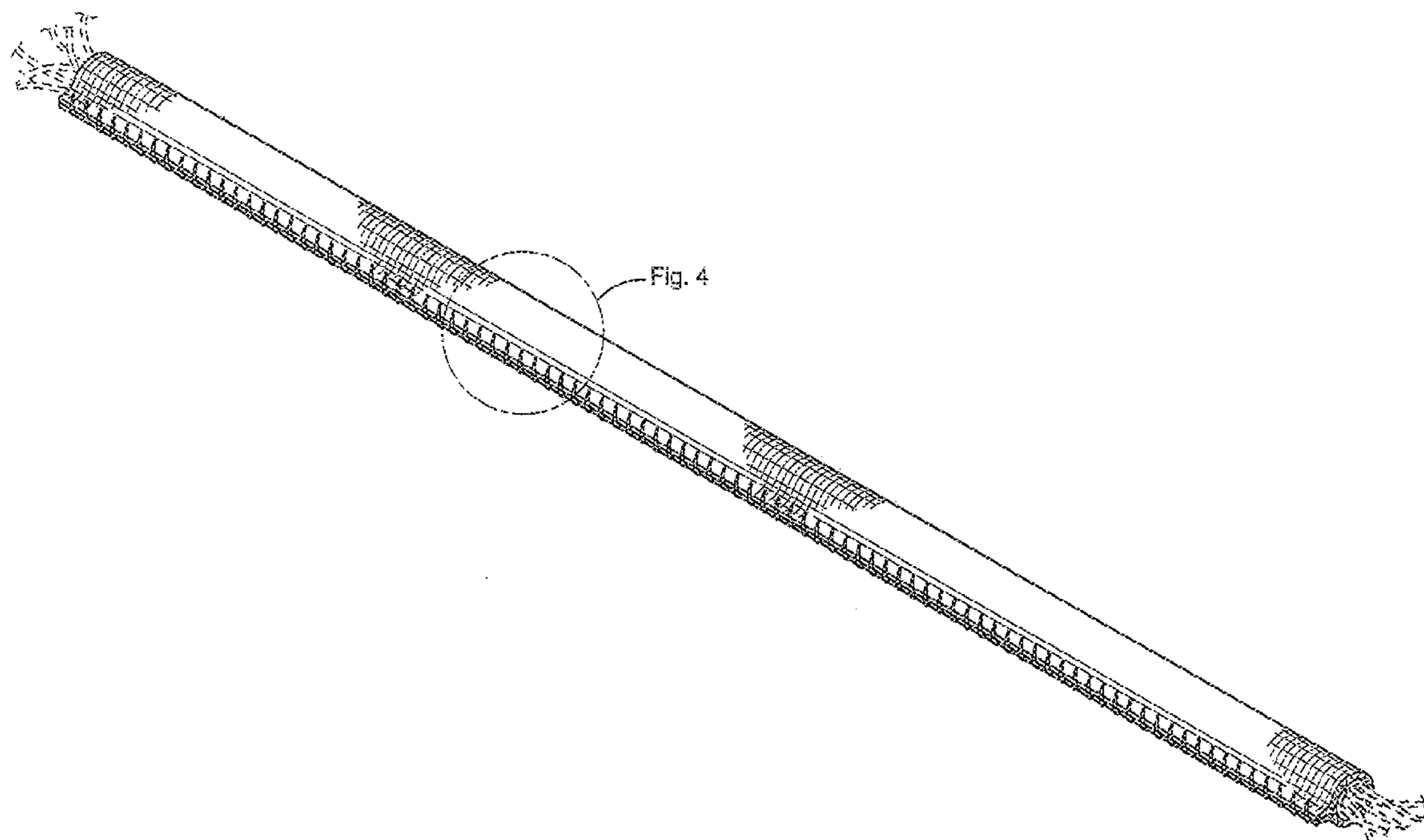
I claim the ornamental design for a stitched cable sleeve, as shown and described.

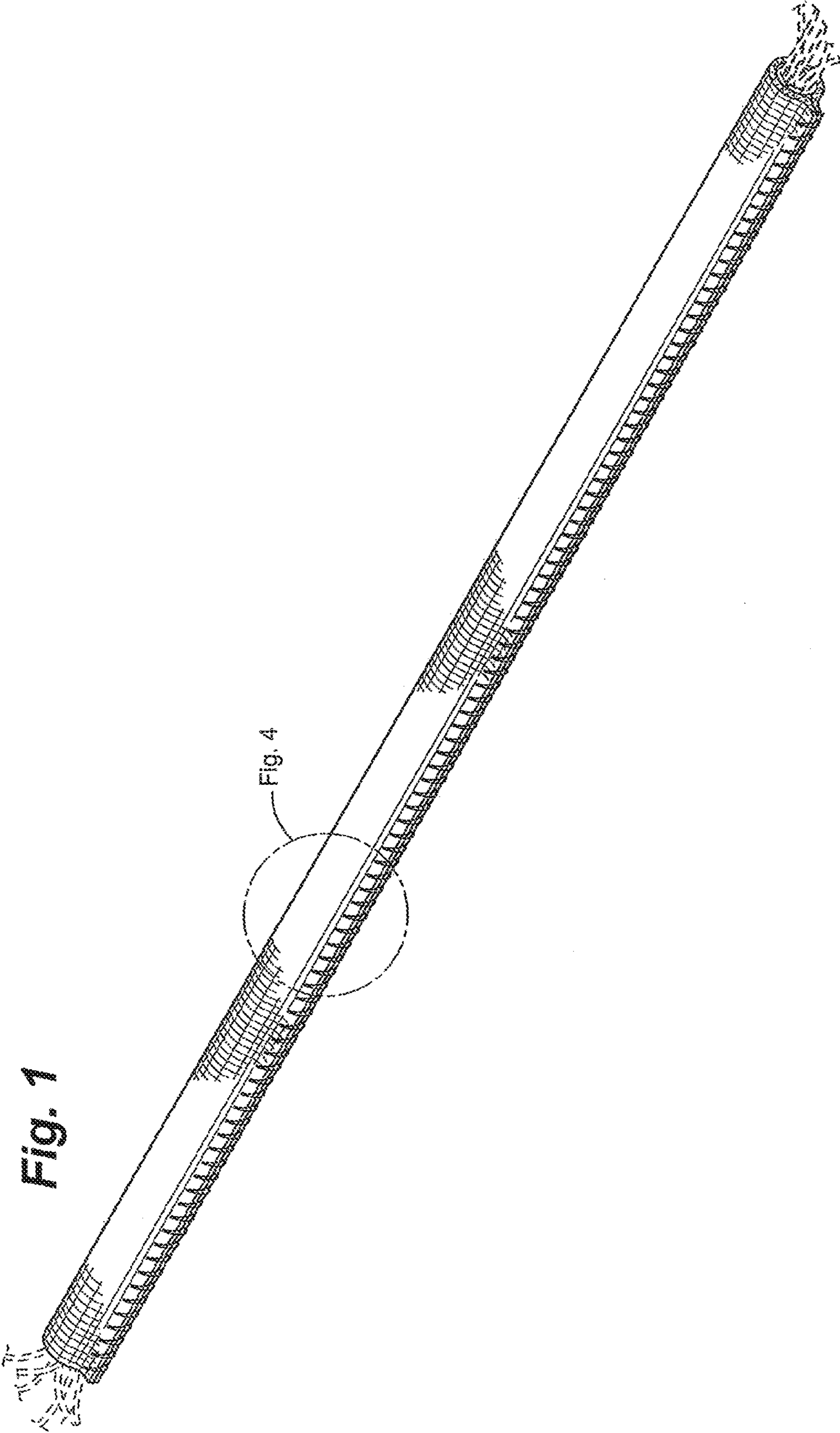
**DESCRIPTION**

FIG. 1 is a front top perspective view of my new design for a stitched cable sleeve;  
 FIG. 2 is a front bottom perspective view thereof;  
 FIG. 3 is a side view thereof;  
 FIG. 4 is an enlarged top perspective view of a section thereof; and,  
 FIG. 5 is an enlarged bottom perspective side view thereof.  
 Color does not form part of the claimed design.

**1 Claim, 3 Drawing Sheets**

- (56) **References Cited**  
U.S. PATENT DOCUMENTS
- D296,322 S \* 6/1988 Collins ..... D13/155
- 5,600,098 A \* 2/1997 Kazaks ..... H02G 3/0481  
174/135
- D406,428 S \* 3/1999 Pyle ..... D13/154
- 5,895,288 A \* 4/1999 Nelson ..... H02G 3/0481  
174/135
- 6,013,875 A \* 1/2000 Fridenberg ..... H02G 3/22  
174/135





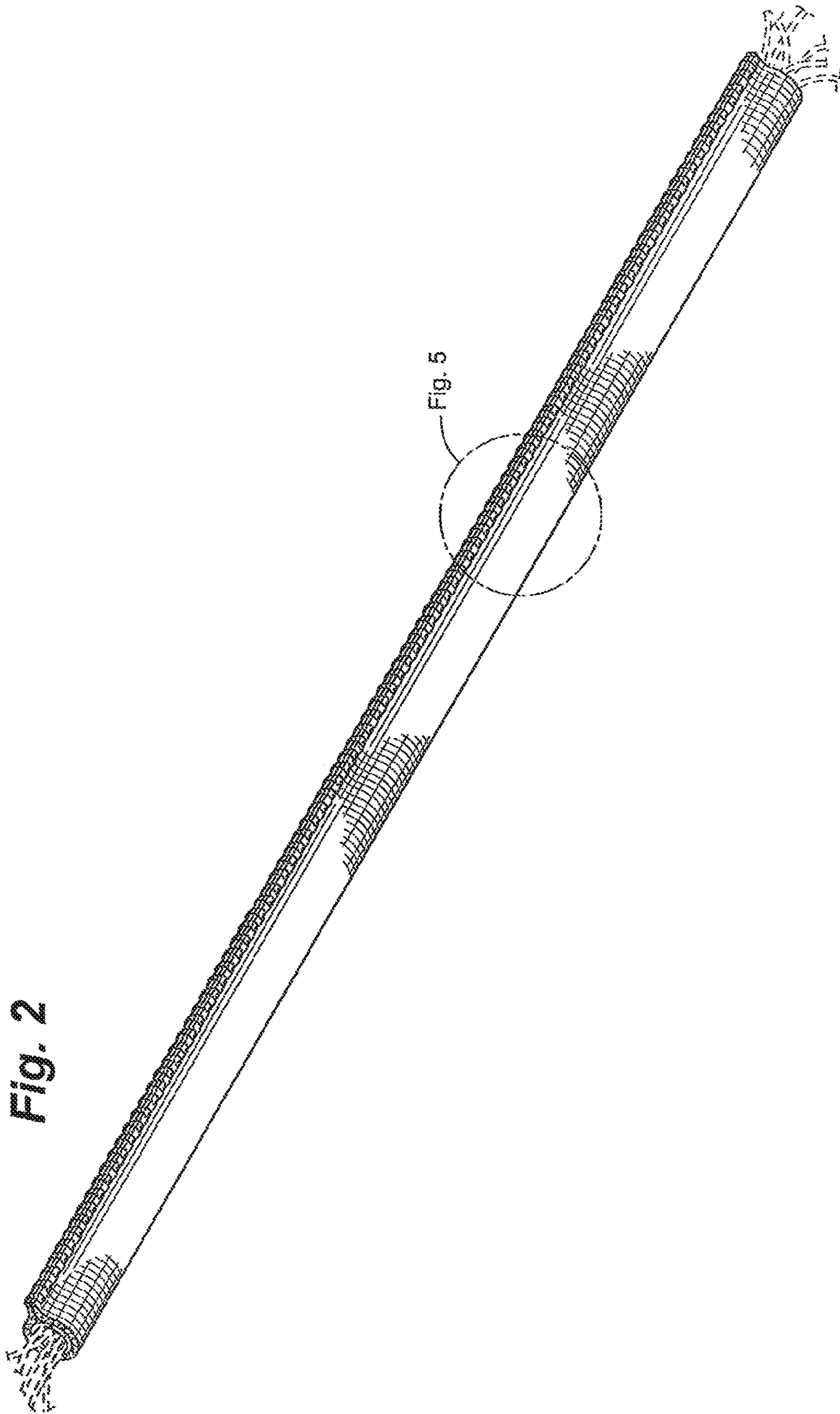


Fig. 3



Fig. 5

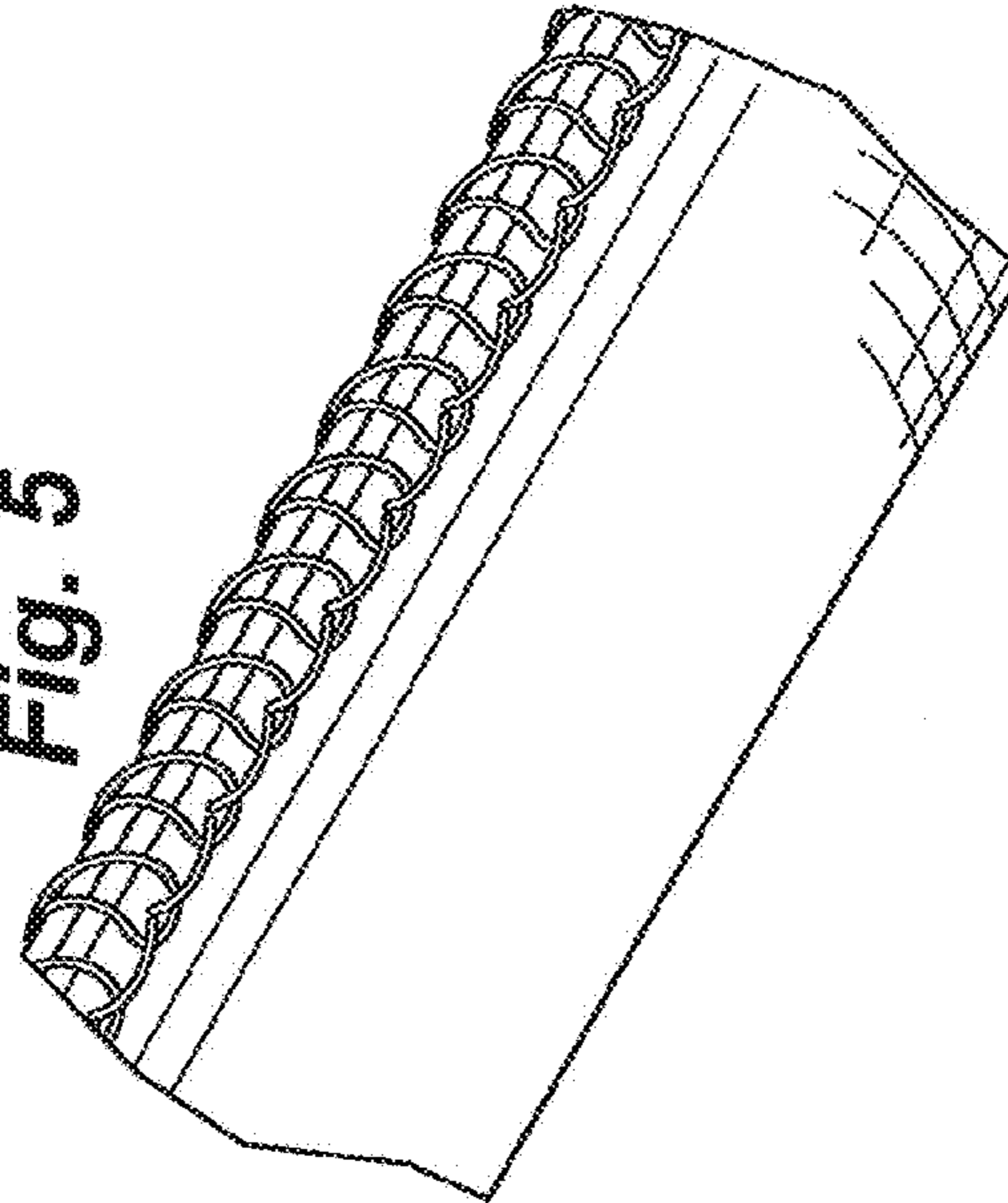


Fig. 4

