



US00D777678S

(12) **United States Design Patent** (10) **Patent No.:** **US D777,678 S**
Brooks, Sr. (45) **Date of Patent:** **** Jan. 31, 2017**

- (54) **SATELLITE CABLE BOX**
- (71) Applicant: **Jerry L Brooks, Sr.**, Huntsville, AL (US)
- (72) Inventor: **Jerry L Brooks, Sr.**, Huntsville, AL (US)
- (**) Term: **14 Years**
- (21) Appl. No.: **29/497,021**
- (22) Filed: **Jul. 20, 2014**
- (51) **LOC (10) Cl.** **13-03**
- (52) **U.S. Cl.**
USPC **D13/152**
- (58) **Field of Classification Search**
USPC D13/152, 156, 137.1–137.4,
D13/138.1–138.2, 139.1–139.8; 174/67,
174/17 LF, 66, 57; 200/293; D10/104.1
CPC H01R 13/447; H02G 3/14; H02G 3/088;
H02B 1/066; H01F 27/02
See application file for complete search history.

- (56) **References Cited**
U.S. PATENT DOCUMENTS
5,218,169 A * 6/1993 Riceman H01R 13/447
174/67
5,280,135 A * 1/1994 Berlin H02G 3/14
174/67
5,527,988 A * 6/1996 Hernandez H01F 27/02
174/17 LF
5,773,760 A * 6/1998 Stark H02G 3/088
174/66
5,907,127 A * 5/1999 Daoud H02G 3/14
174/57
6,534,735 B1 * 3/2003 Czarnecki H02B 1/066
200/293

- D486,452 S * 2/2004 Dinh D13/156
- D529,447 S * 10/2006 Greenfield D13/156
- D531,129 S * 10/2006 Muto D13/152
- D532,380 S * 11/2006 Castaldo D13/152
- D554,590 S * 11/2007 Vasarhelyi D13/152
- D556,145 S * 11/2007 Williams D13/152
- D560,609 S * 1/2008 Rosenthal D13/139.4
- D569,754 S * 5/2008 Kume D10/104.1
- D603,411 S * 11/2009 Zonshine D13/139.5
- D629,365 S * 12/2010 Garcia De Vicuna D13/152
- D632,654 S * 2/2011 Davidson D13/152
- D636,343 S * 4/2011 Leal D13/152
- D637,162 S * 5/2011 Bridgman D13/152
- D638,367 S * 5/2011 Isaacks D13/139.4
- D648,282 S * 11/2011 Czarnecki D13/152
- D659,647 S * 5/2012 Isaacks D13/156

* cited by examiner

Primary Examiner — Rhea Shields

(57) **CLAIM**

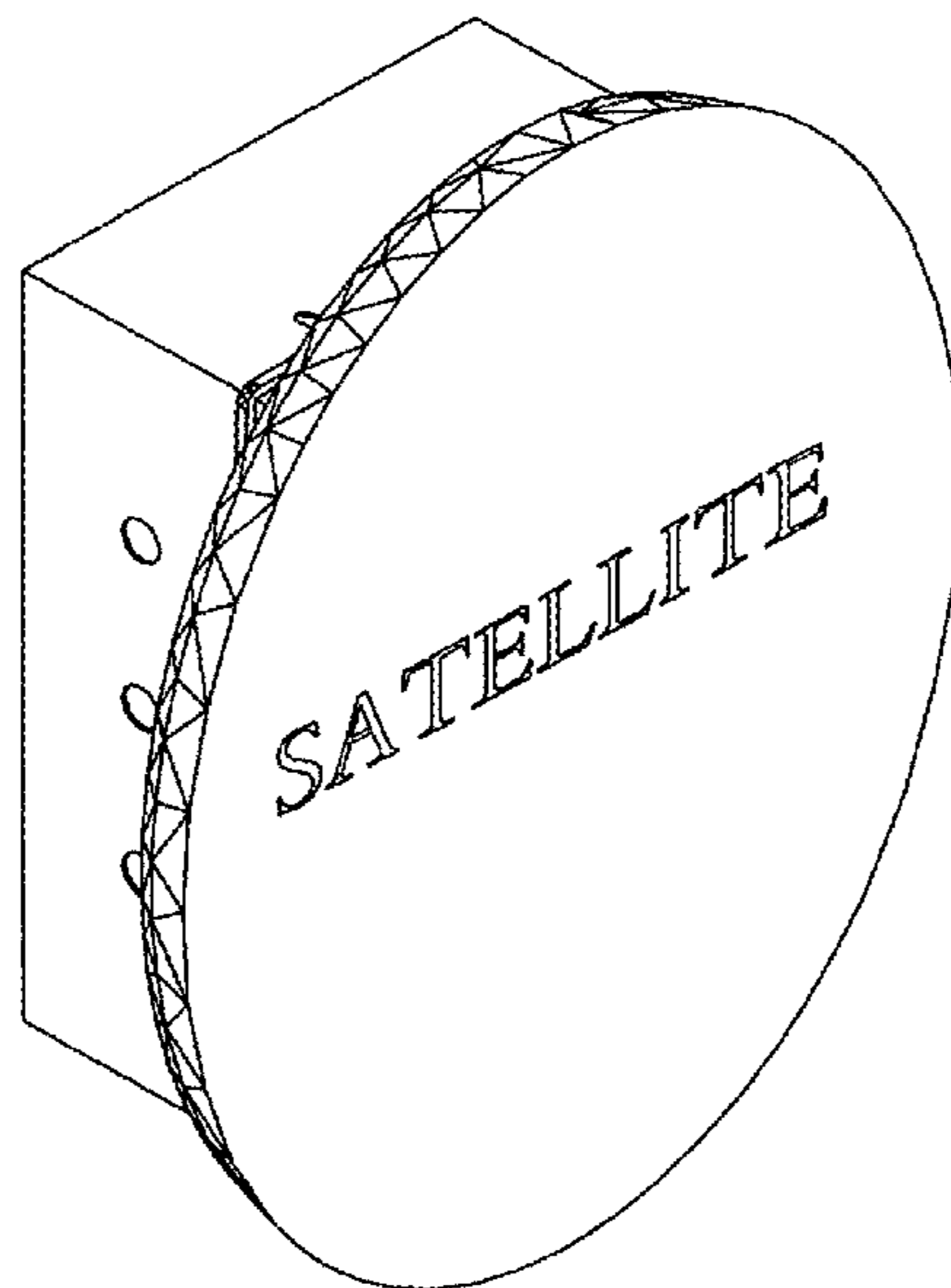
The ornamental design for a satellite cable box, as shown and described.

DESCRIPTION

FIG. 1 is a top perspective view of a satellite cable box, showing my new design; and, FIG. 2 is another perspective view thereof, with the satellite cable box in an open position and showing the following features:

- 1. Base box
- 2. Hinged cover
- 3. Decorative dish cover embossed with the word “satellite”
- 4. Knock-outs
- 5. Mounting holes
- 6. Cover latch with friction fit
- 7. Center molded thick web
- 8. Cover latch with locking hole

1 Claim, 2 Drawing Sheets



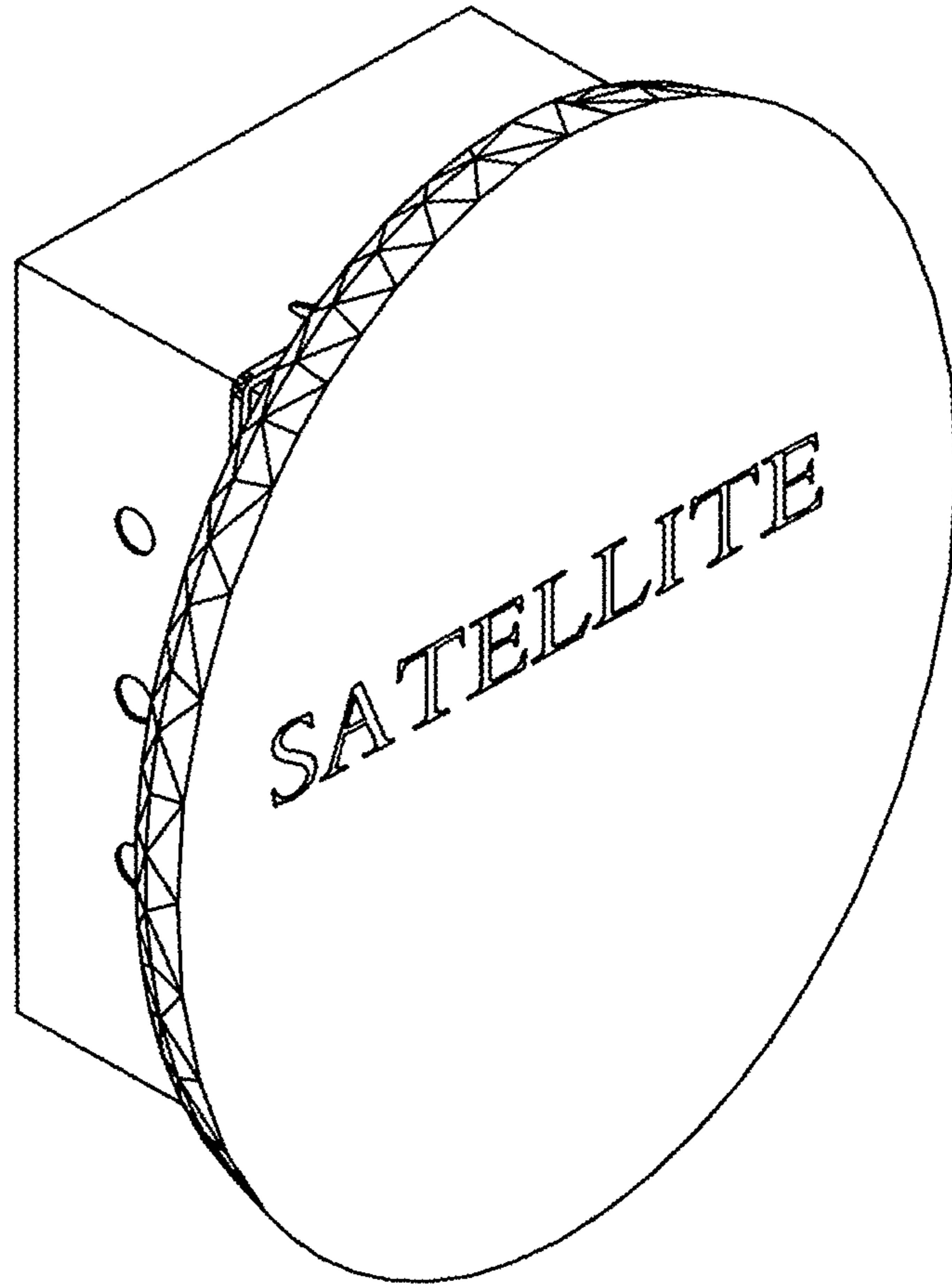


Fig. 1

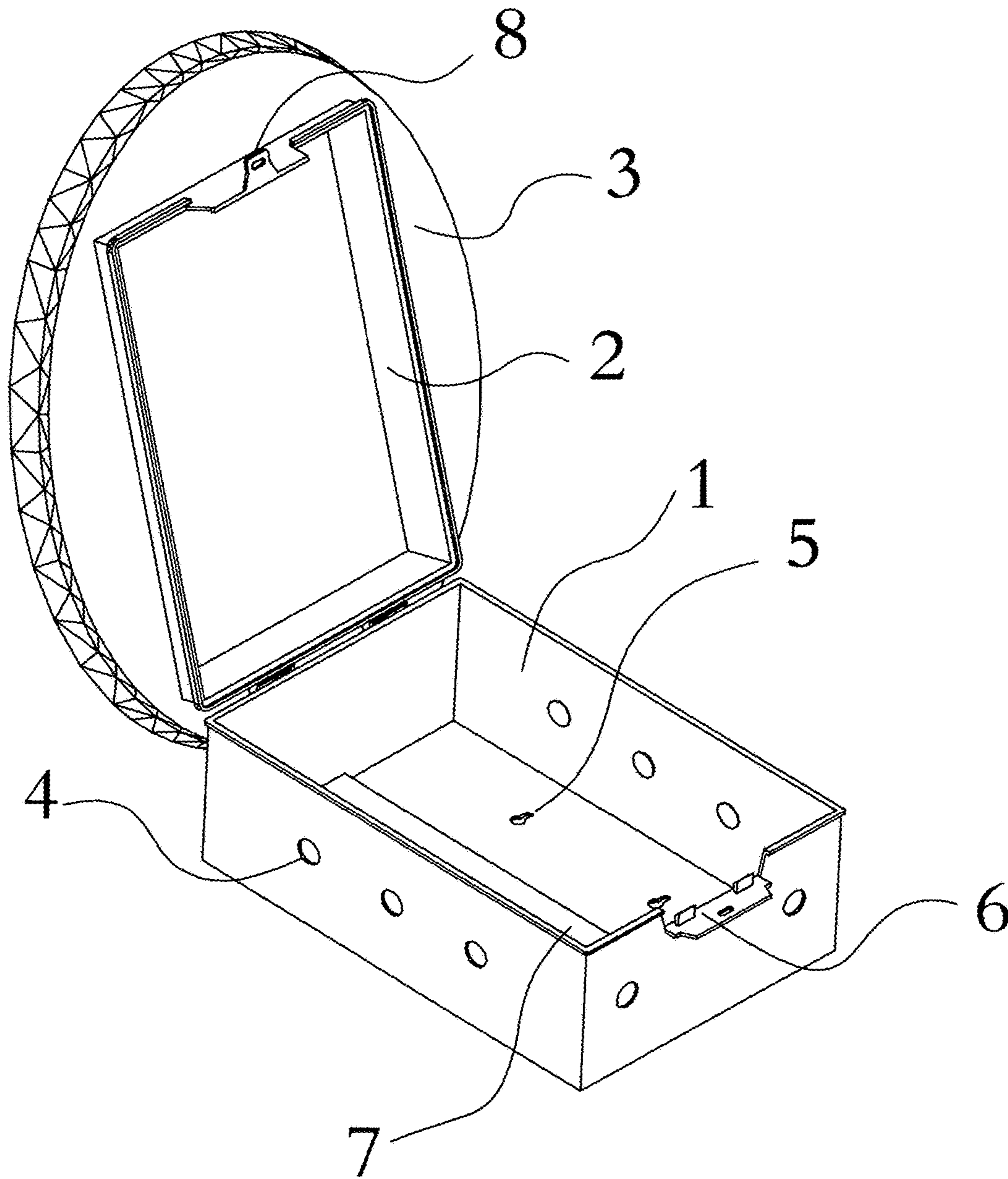


Fig. 2