



US00D777677S

(12) **United States Design Patent** (10) **Patent No.:** **US D777,677 S**
Chien (45) **Date of Patent:** **** Jan. 31, 2017**

(54) **ELECTRICAL CONNECTOR**
(71) Applicant: **KINNEXA, INC.**, Taipei (TW)
(72) Inventor: **Shin-Hao Chien**, Taipei (TW)
(73) Assignee: **KINNEXA, INC.**, Taipei (TW)
(**) Term: **15 Years**
(21) Appl. No.: **29/545,848**
(22) Filed: **Nov. 17, 2015**
(51) **LOC (10) Cl.** **13-03**
(52) **U.S. Cl.**
USPC **D13/147**
(58) **Field of Classification Search**
USPC D13/133, 146, 147, 154, 184, 199;
D14/433, 434, 435, 435.1, 436, 438
CPC H01R 13/627; H01R 13/6276; H01R
13/6277; H01R 13/6278; H01R 13/658;
H01R 13/6582; H01R 13/6586; H01R
13/6587; H01R 13/6595
See application file for complete search history.

(56) **References Cited**

U.S. PATENT DOCUMENTS

D486,794 S * 2/2004 Okamoto D13/147
D527,709 S * 9/2006 Kuo D13/147

D544,443 S * 6/2007 Yang D13/133
D585,836 S * 2/2009 Lee D13/154
D637,159 S * 5/2011 Hu D13/147
2015/0380858 A1 * 12/2015 Kao H01R 13/658
439/620.22

* cited by examiner

Primary Examiner — Daniel Bui

(74) *Attorney, Agent, or Firm* — Leong C. Lei

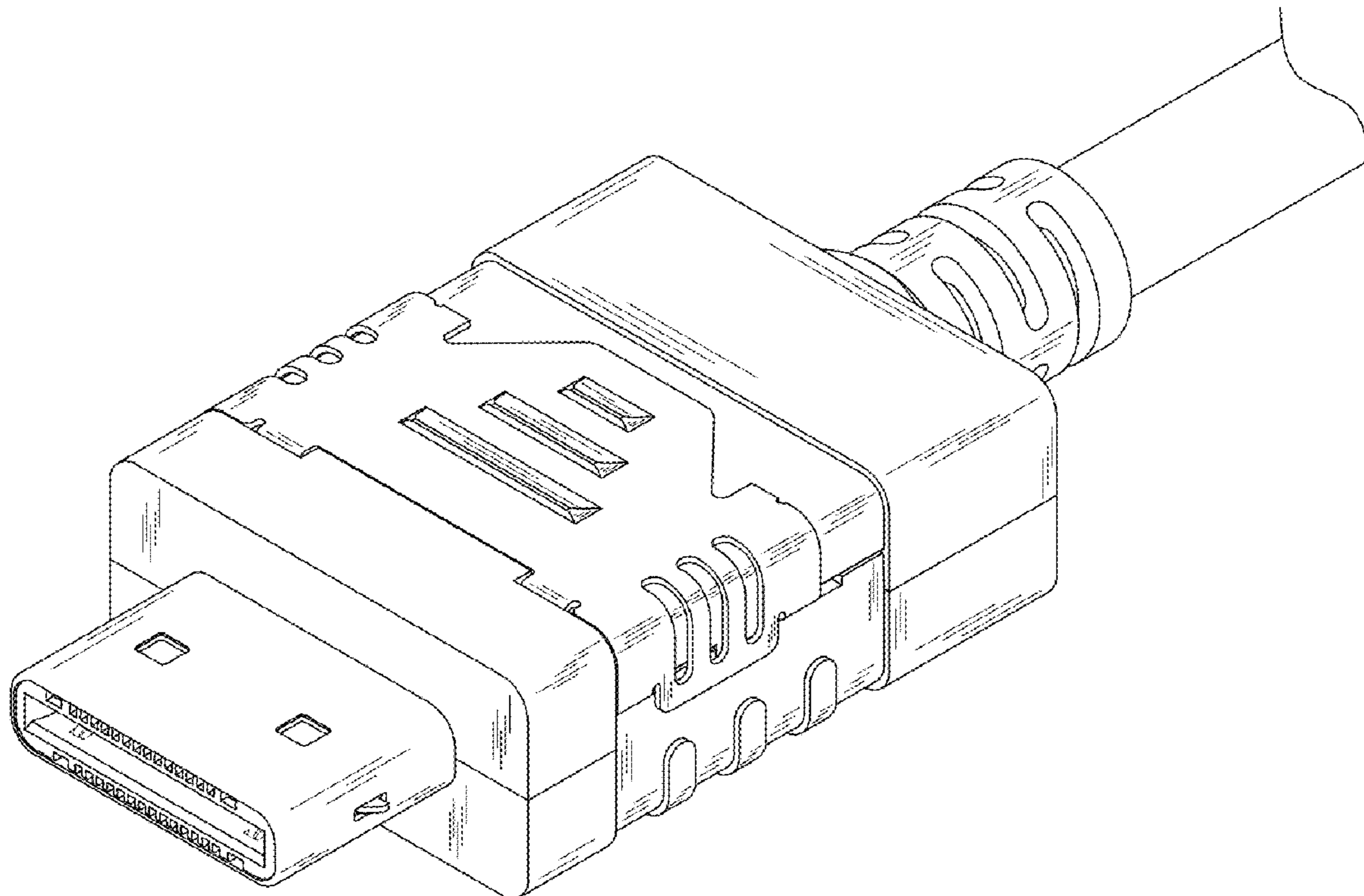
(57) **CLAIM**

The ornamental design for an electrical connector, as shown and described.

DESCRIPTION

FIG. 1 is a front perspective view of an electrical connector showing my new design;
FIG. 2 is a front elevational view thereof;
FIG. 3 is a rear elevational view thereof;
FIG. 4 is a left elevational view thereof;
FIG. 5 is a right elevational view thereof;
FIG. 6 is a top plan view thereof; and,
FIG. 7 is a bottom plan view thereof.
The broken line in the figure drawing views is included to show unclaimed environment only and forms no part of the claimed design.

1 Claim, 7 Drawing Sheets



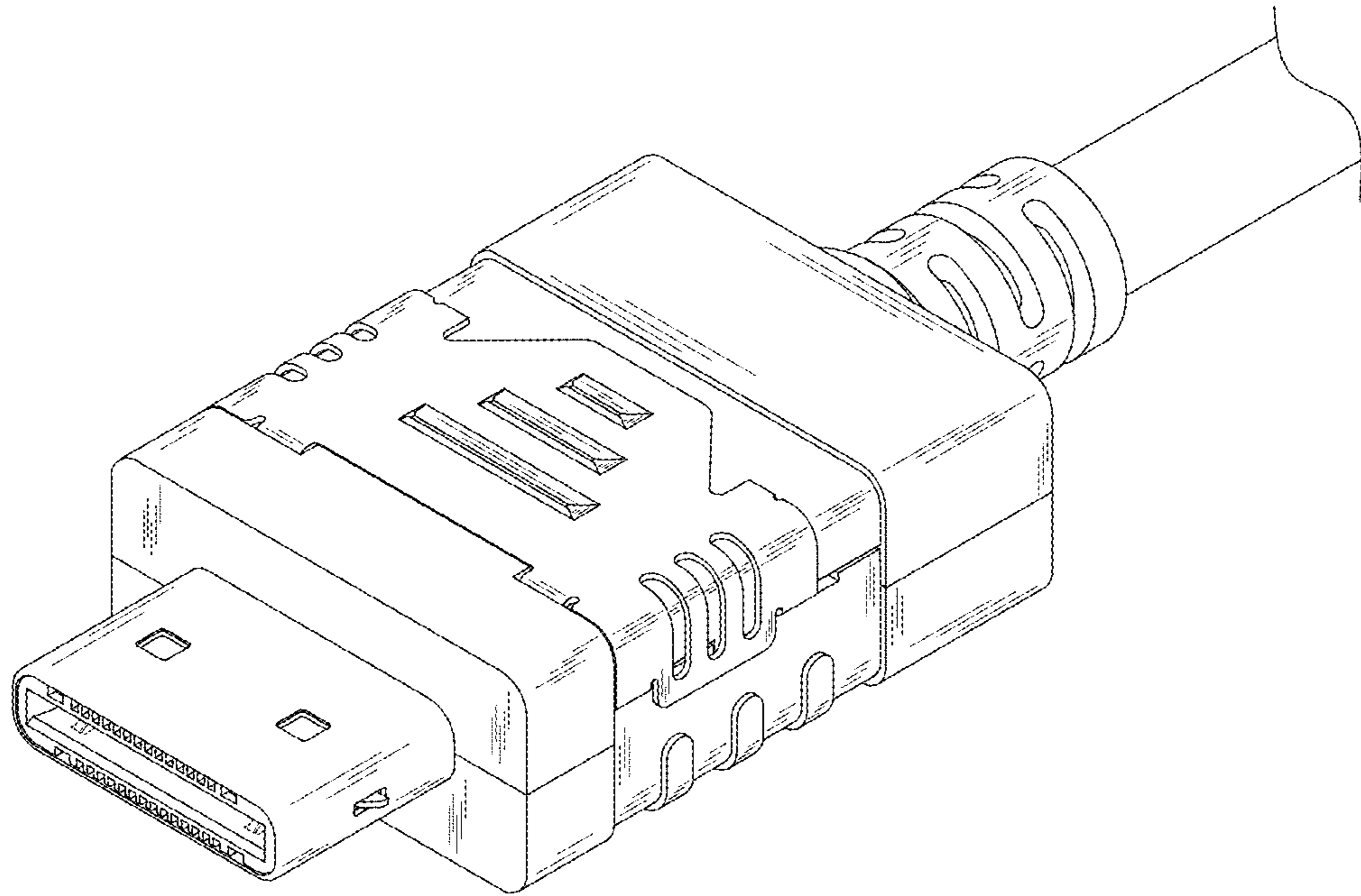


FIG.1

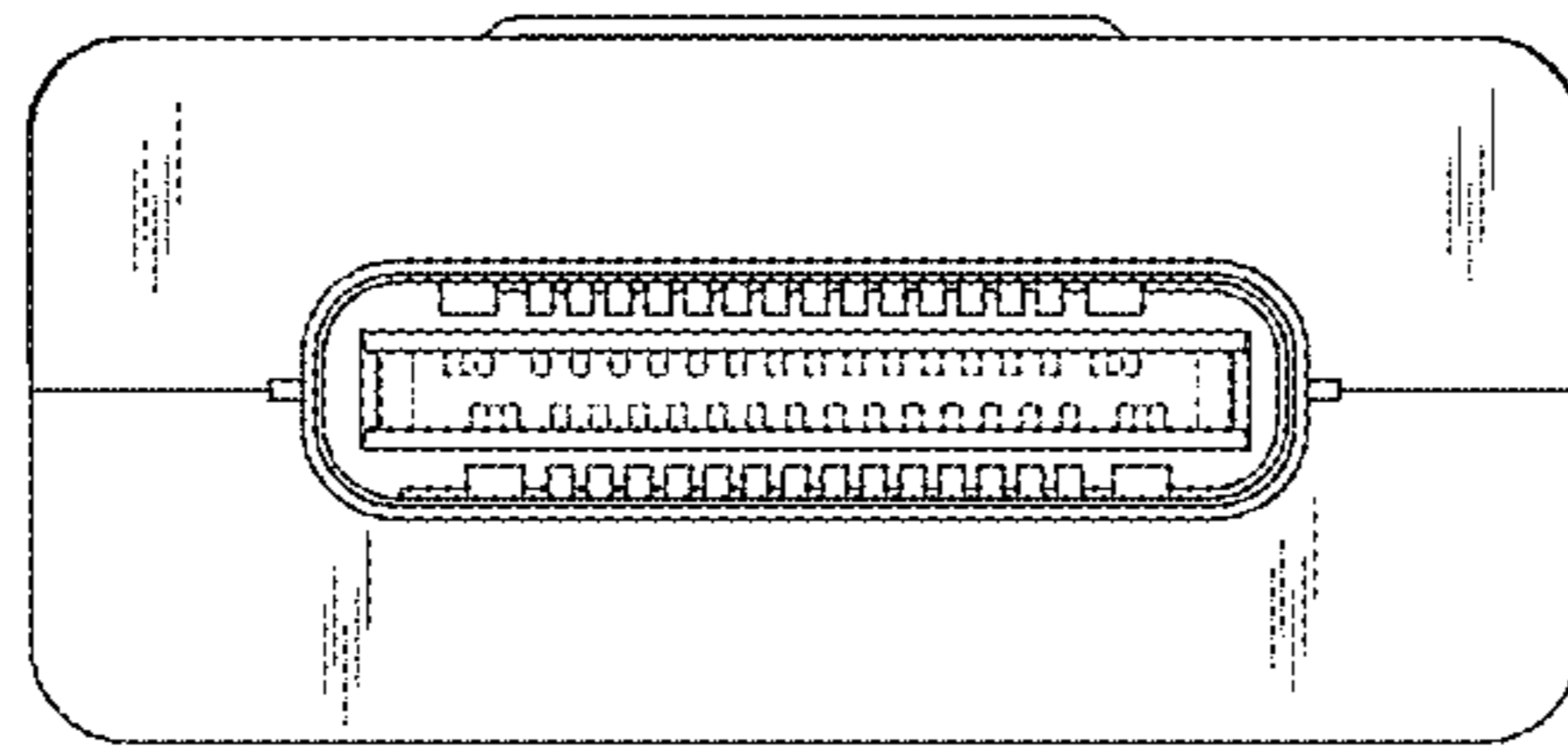


FIG. 2

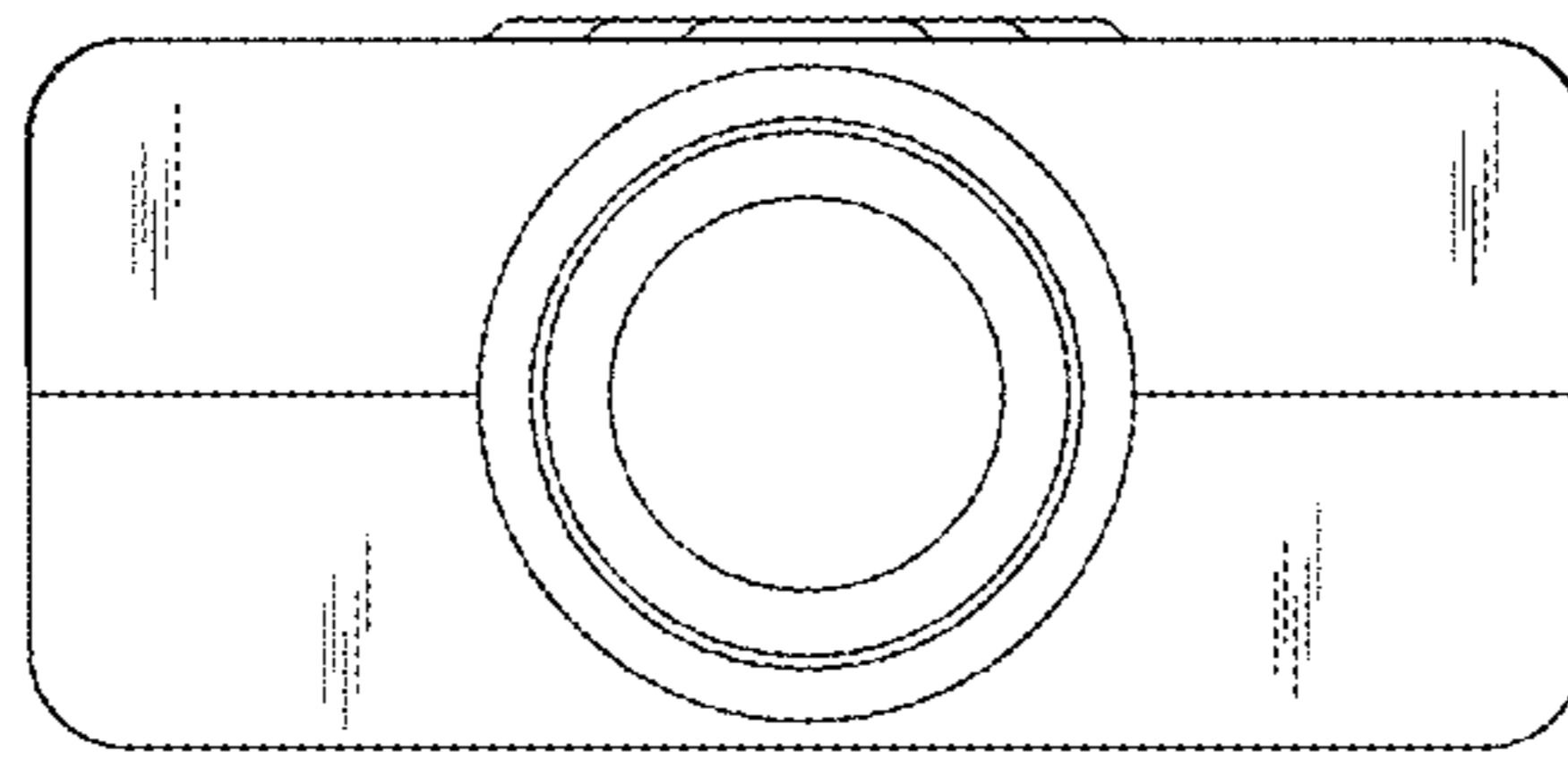


FIG. 3

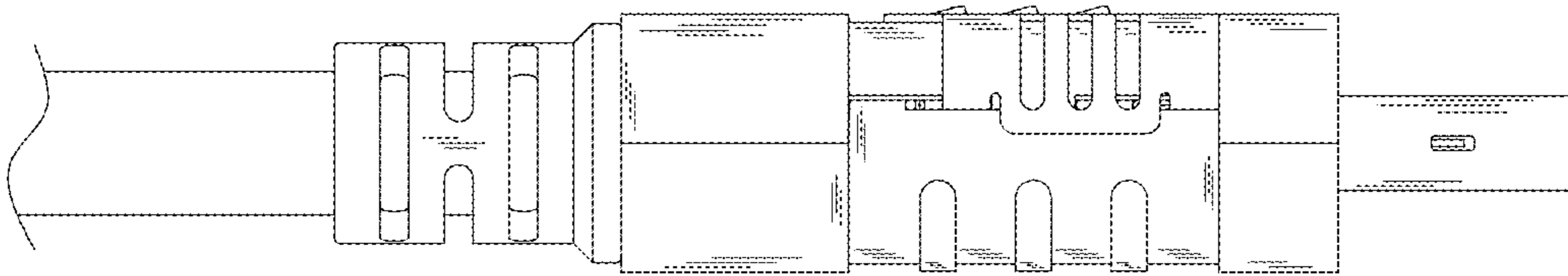


FIG. 4

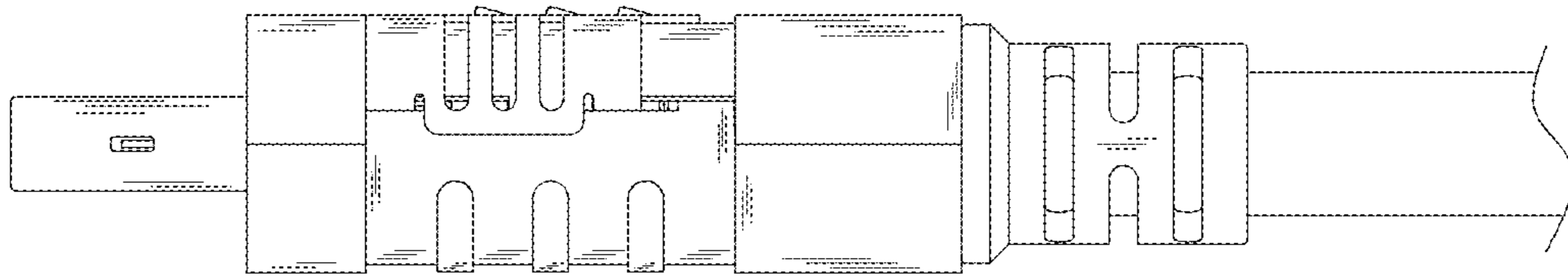


FIG. 5

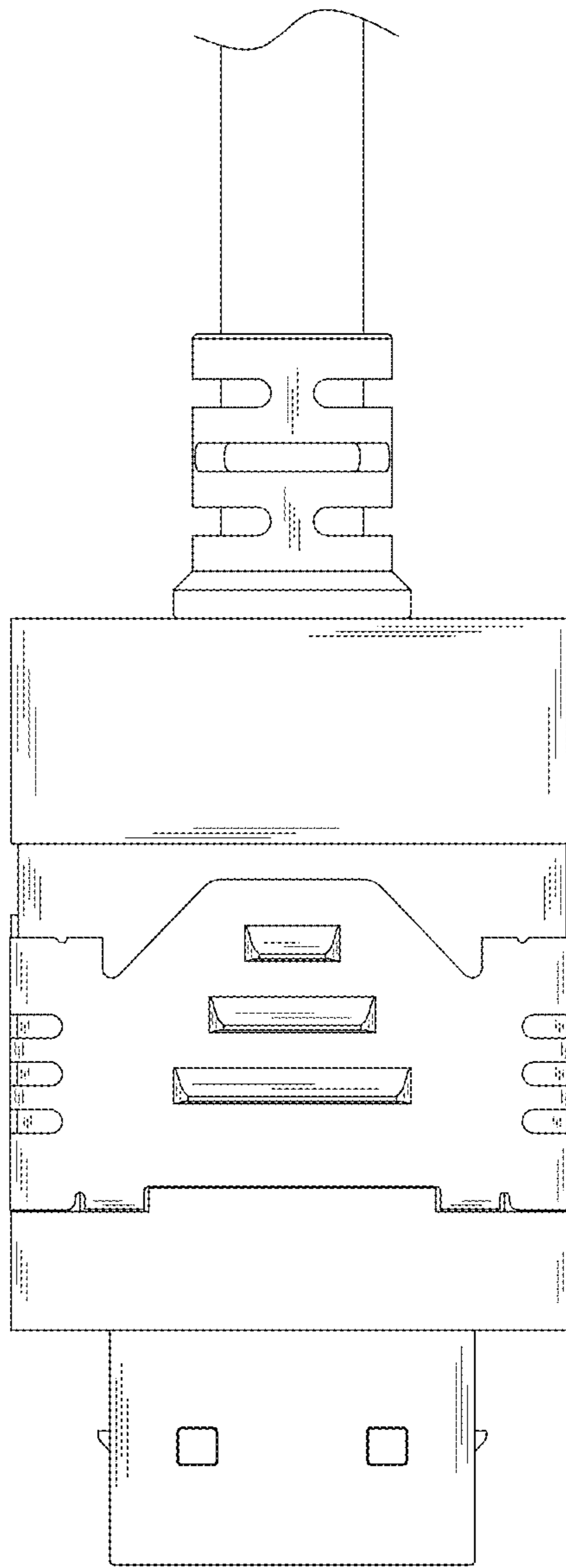


FIG. 6

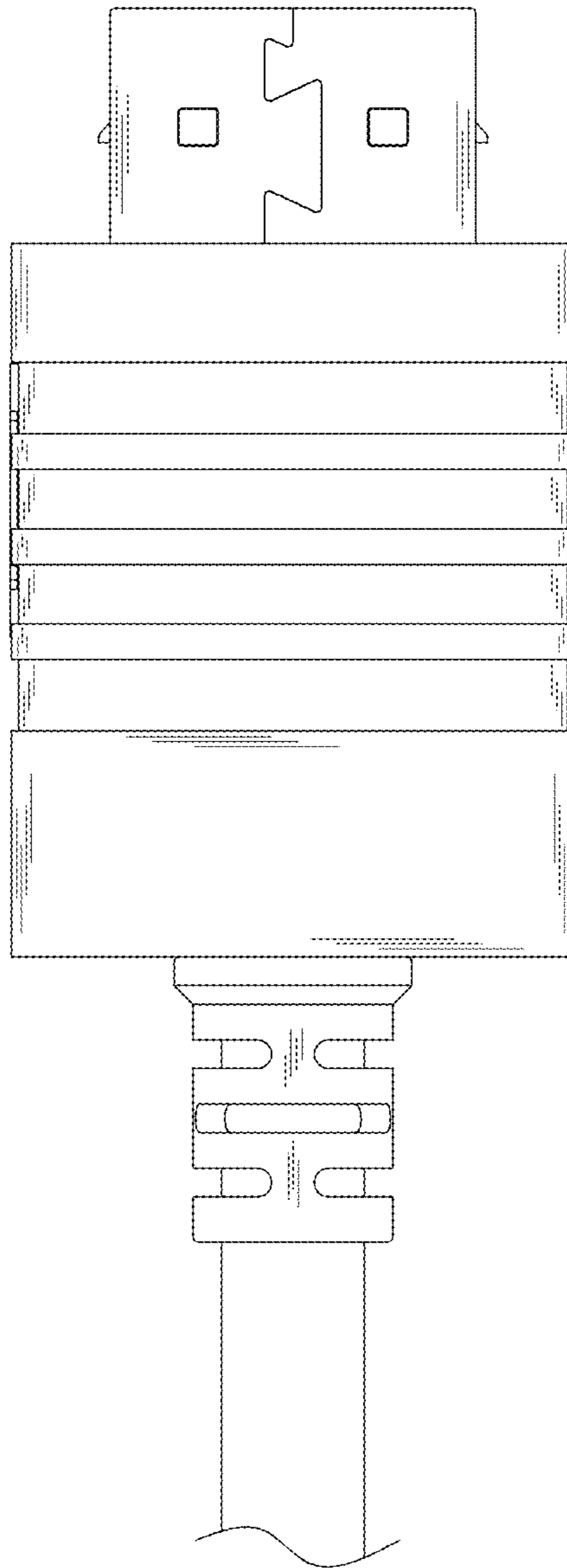


FIG. 7