



US00D777675S

(12) **United States Design Patent**
Miller et al.

(10) **Patent No.:** **US D777,675 S**
(45) **Date of Patent:** **** Jan. 31, 2017**

(54) **CAR CHARGER AND CRADLE FOR
HAND-HELD ELECTRONIC DEVICES**

(71) Applicant: **Halo2Cloud LLC**, Glastonbury, CT
(US)

(72) Inventors: **Garold C. Miller**, Glastonbury, CT
(US); **Nathan Daniel Weinstein**,
Glastonbury, CT (US)

(73) Assignee: **Halo International SECZ LTD**, Grand
Cayman (KY)

(**) Term: **15 Years**

(21) Appl. No.: **29/542,900**

(22) Filed: **Oct. 19, 2015**

(51) **LOC (10) Cl.** **13-03**

(52) **U.S. Cl.**
USPC **D13/144**

(58) **Field of Classification Search**
USPC D13/144, 107, 110, 118, 119, 120, 133,
D13/154, 184, 199; D14/155, 217, 433,
D14/253, 447; 320/65, 107, 108, 109;
363/13, 146; 439/300, 620, 638, 668, 669,
439/675, 825
CPC H01R 24/58; H01R 2201/26
See application file for complete search history.

(56) **References Cited**

U.S. PATENT DOCUMENTS

5,988,572	A *	11/1999	Chivallier	B60R 11/0241 224/929
6,073,901	A *	6/2000	Richter	B60R 11/0241 224/558
D479,196	S *	9/2003	Shih	D13/144
D522,843	S *	6/2006	Richter	D8/363
D529,905	S *	10/2006	Richter	D14/253
D535,978	S *	1/2007	Hussaini et al.		
D544,487	S *	6/2007	Hussaini	D14/434

D559,227	S *	1/2008	Kim	D14/155
D569,876	S *	5/2008	Griffin	D13/107
D654,054	S *	2/2012	Kohte	D14/217
D666,614	S *	9/2012	Ding		
D685,366	S *	7/2013	Ding		
D690,306	S *	9/2013	Malisse et al.		
D711,322	S *	8/2014	McSweyn	D13/144
D712,394	S *	9/2014	Booth	D14/253
D731,973	S *	6/2015	Liu	D13/144
D733,697	S *	7/2015	Palan	D14/253
D750,612	S *	3/2016	Chen	D14/253
D753,643	S *	4/2016	Kim	D14/253
2002/0176571	A1 *	11/2002	Louh	B60R 11/0241 379/455
2002/0191782	A1 *	12/2002	Beger	H04M 1/04 379/454
2009/0186576	A1 *	7/2009	Peng	H04M 1/6091 455/41.2
2011/0255226	A1 *	10/2011	Duncan Seil	B60R 11/02 361/679.01

(Continued)

Primary Examiner — Derrick Holland

Assistant Examiner — Jennifer O King

(74) *Attorney, Agent, or Firm* — McCormick, Paulding &
Huber LLP

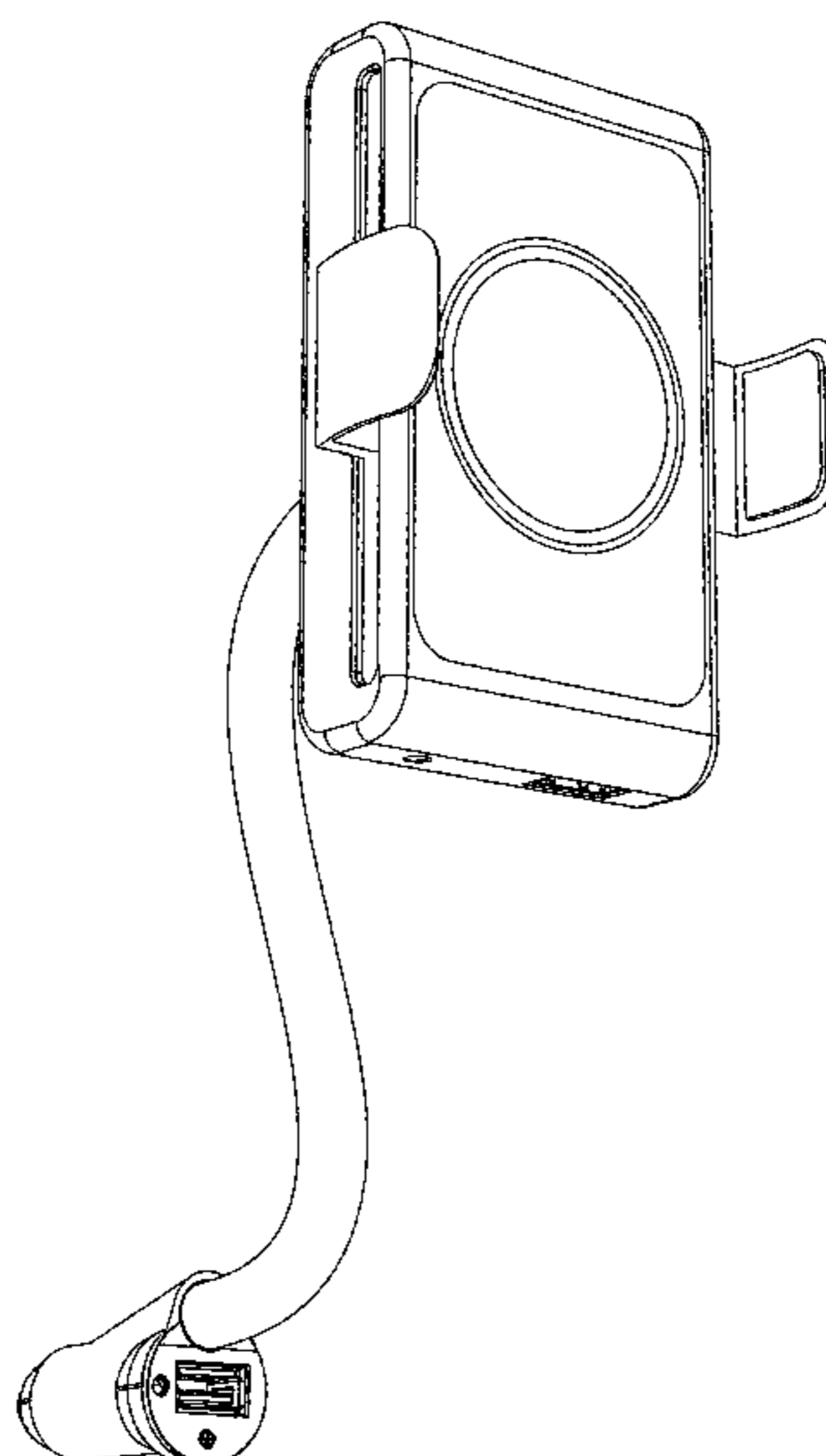
(57) **CLAIM**

The ornamental design for a car charger and cradle for hand-held electronic devices, substantially as shown and described.

DESCRIPTION

FIG. 1 is a front, bottom perspective view of a car charger and cradle for hand-held electronic devices comprising a new, original and ornamental design;
FIG. 2 is a front view thereof;
FIG. 3 is a rear view thereof;
FIG. 4 is a right side view thereof;
FIG. 5 is a left side view thereof;
FIG. 6 is a top view thereof; and,
FIG. 7 is a bottom view thereof.

1 Claim, 5 Drawing Sheets



(56)

References Cited

U.S. PATENT DOCUMENTS

2013/0112838 A1* 5/2013 Duncan Seil B60R 11/02
248/542

* cited by examiner

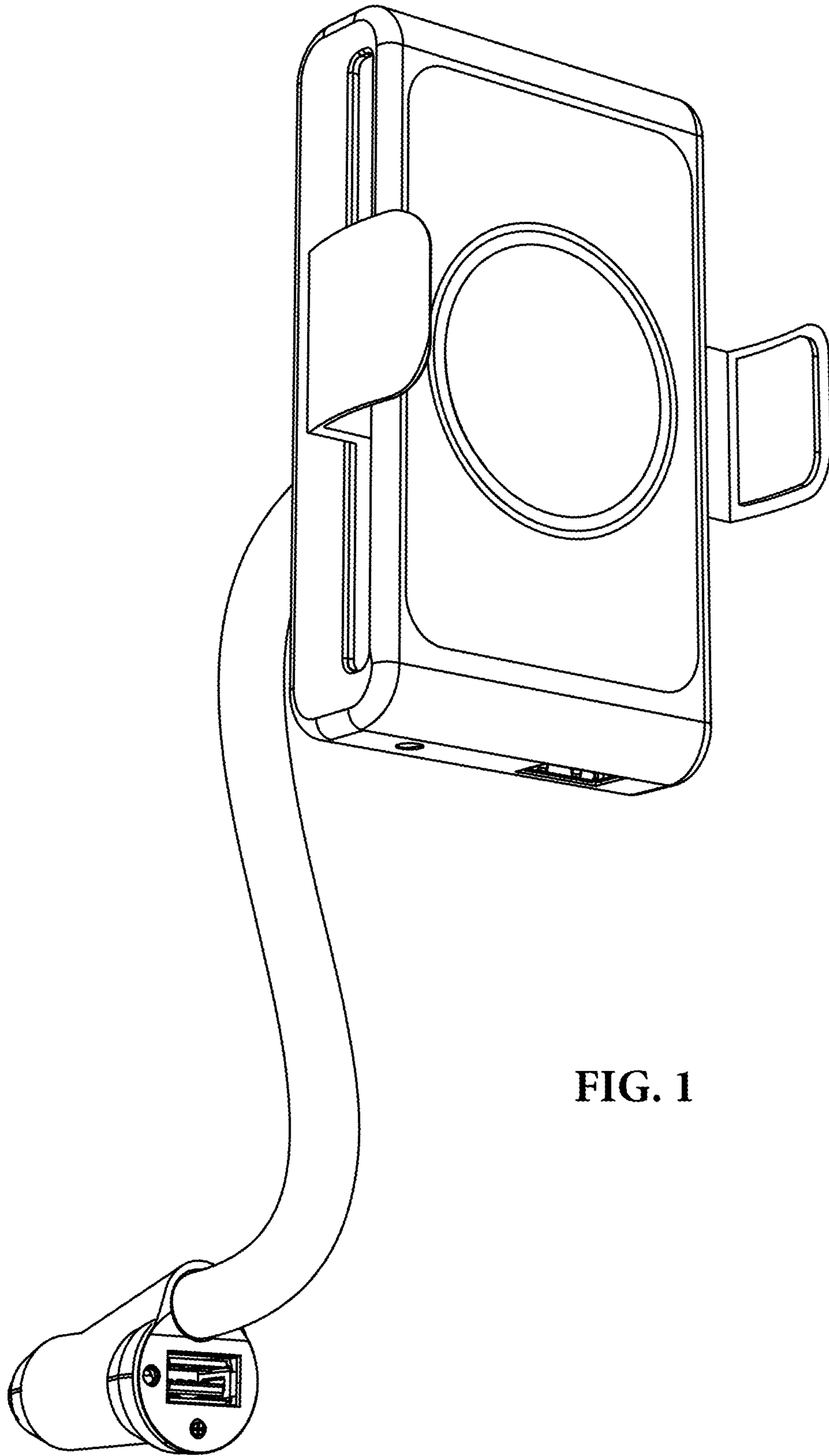


FIG. 1

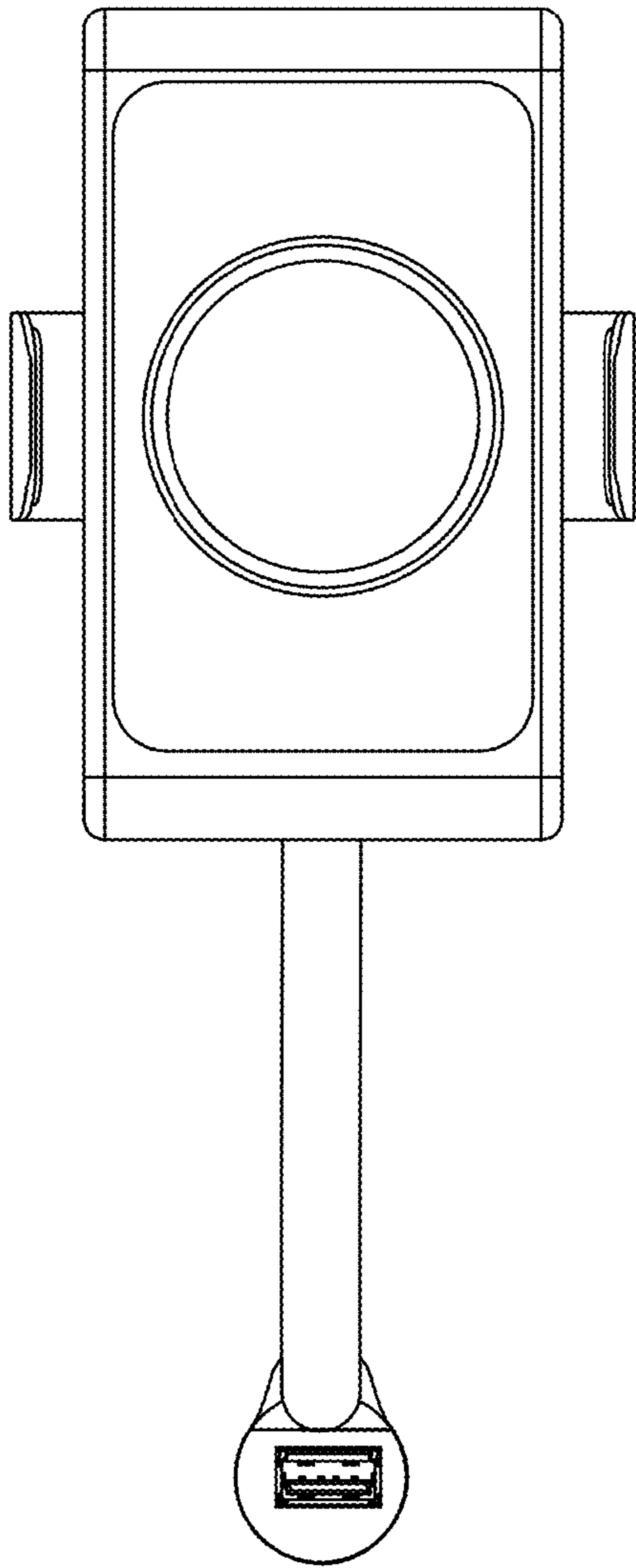


FIG. 2

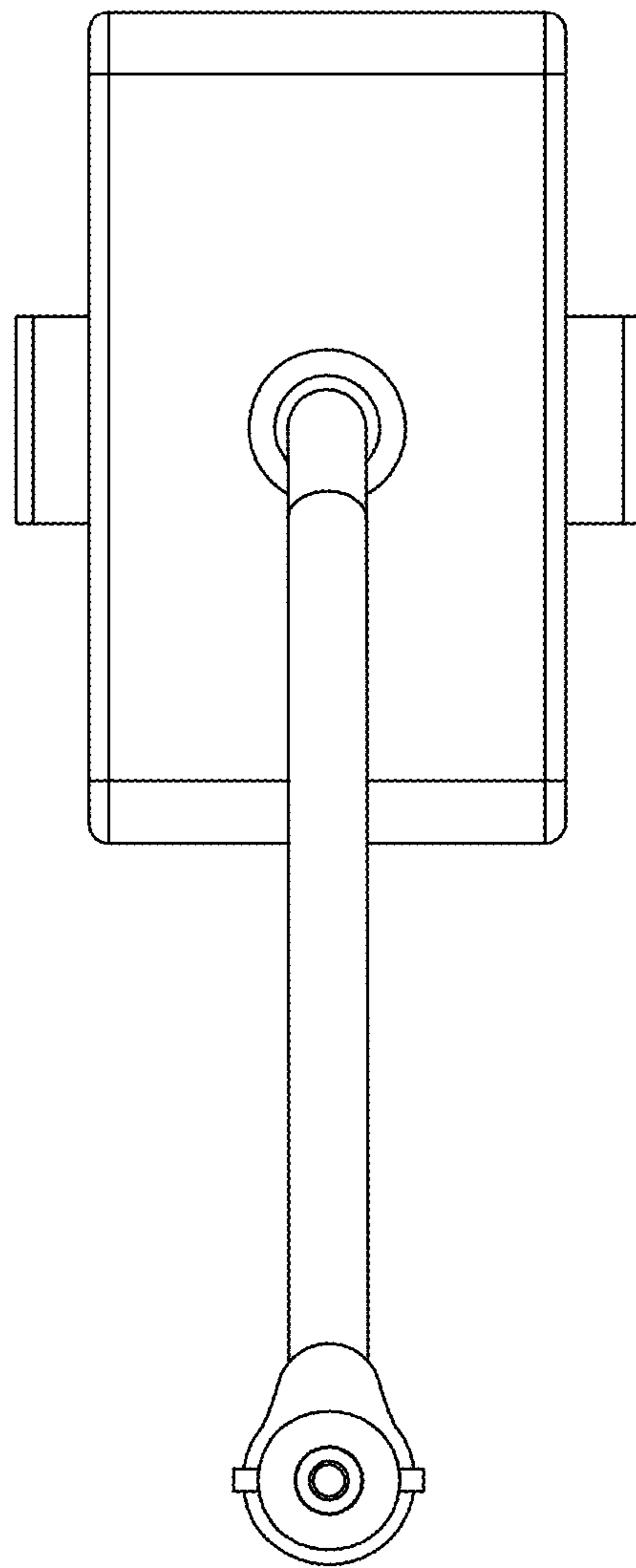


FIG. 3

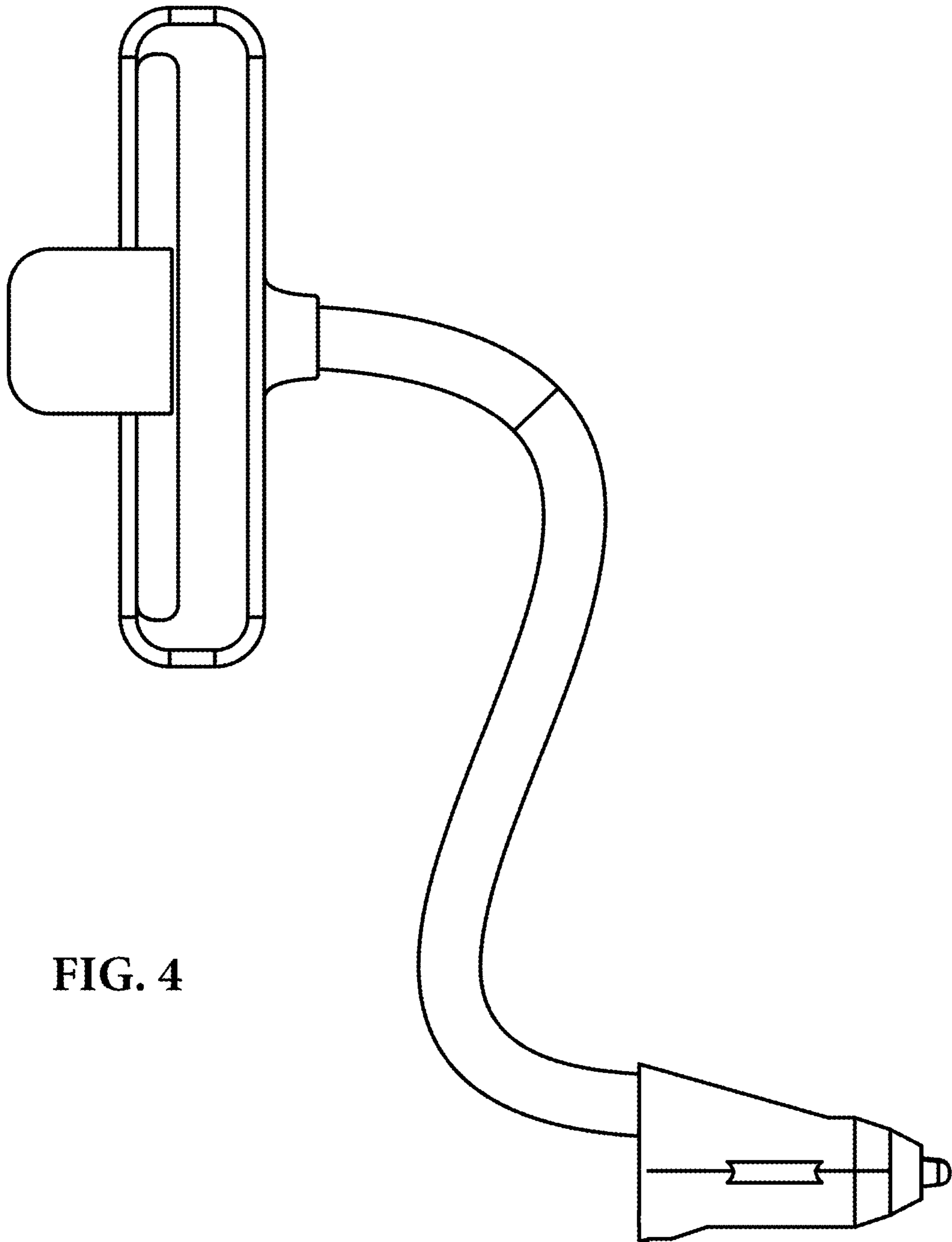


FIG. 4

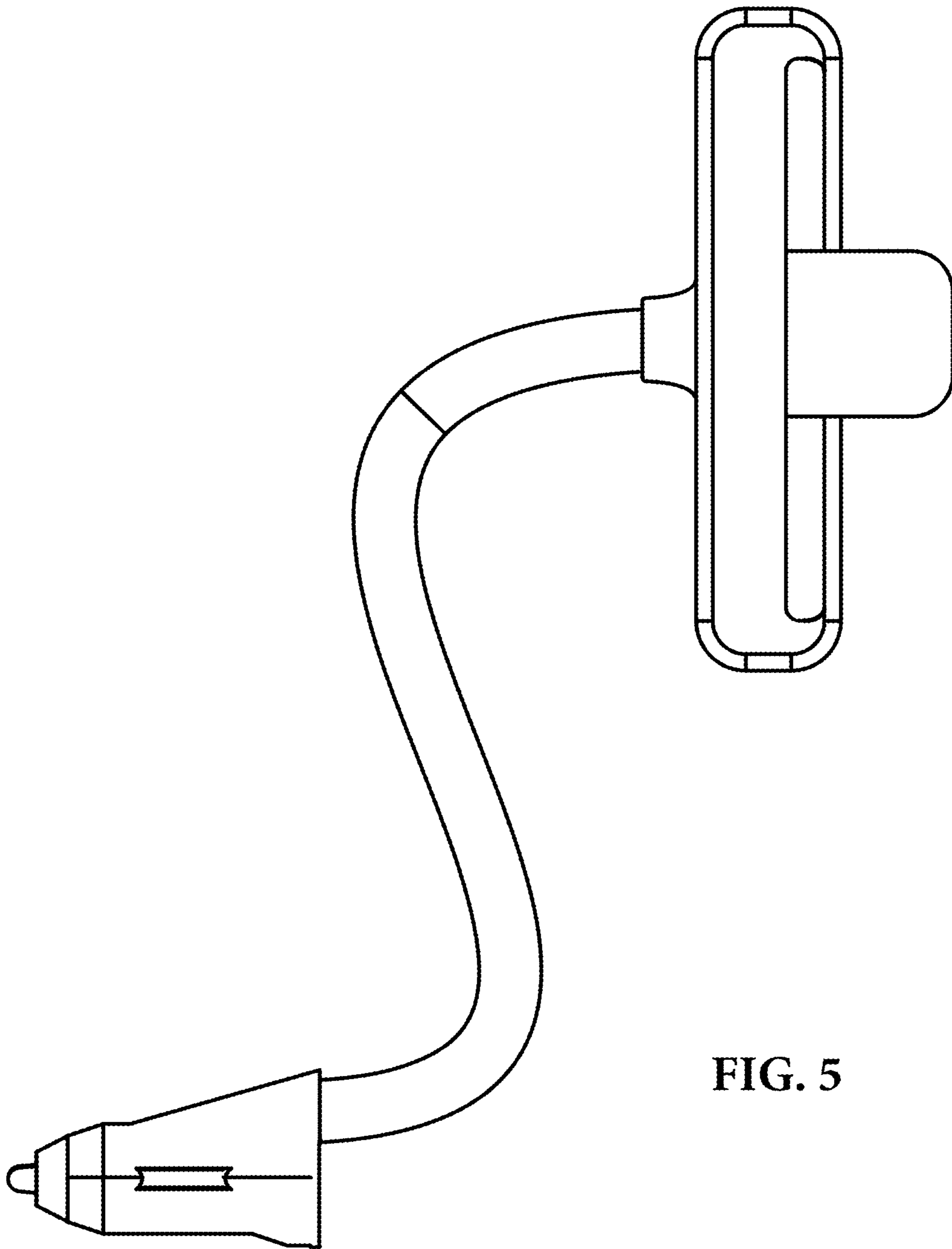


FIG. 5

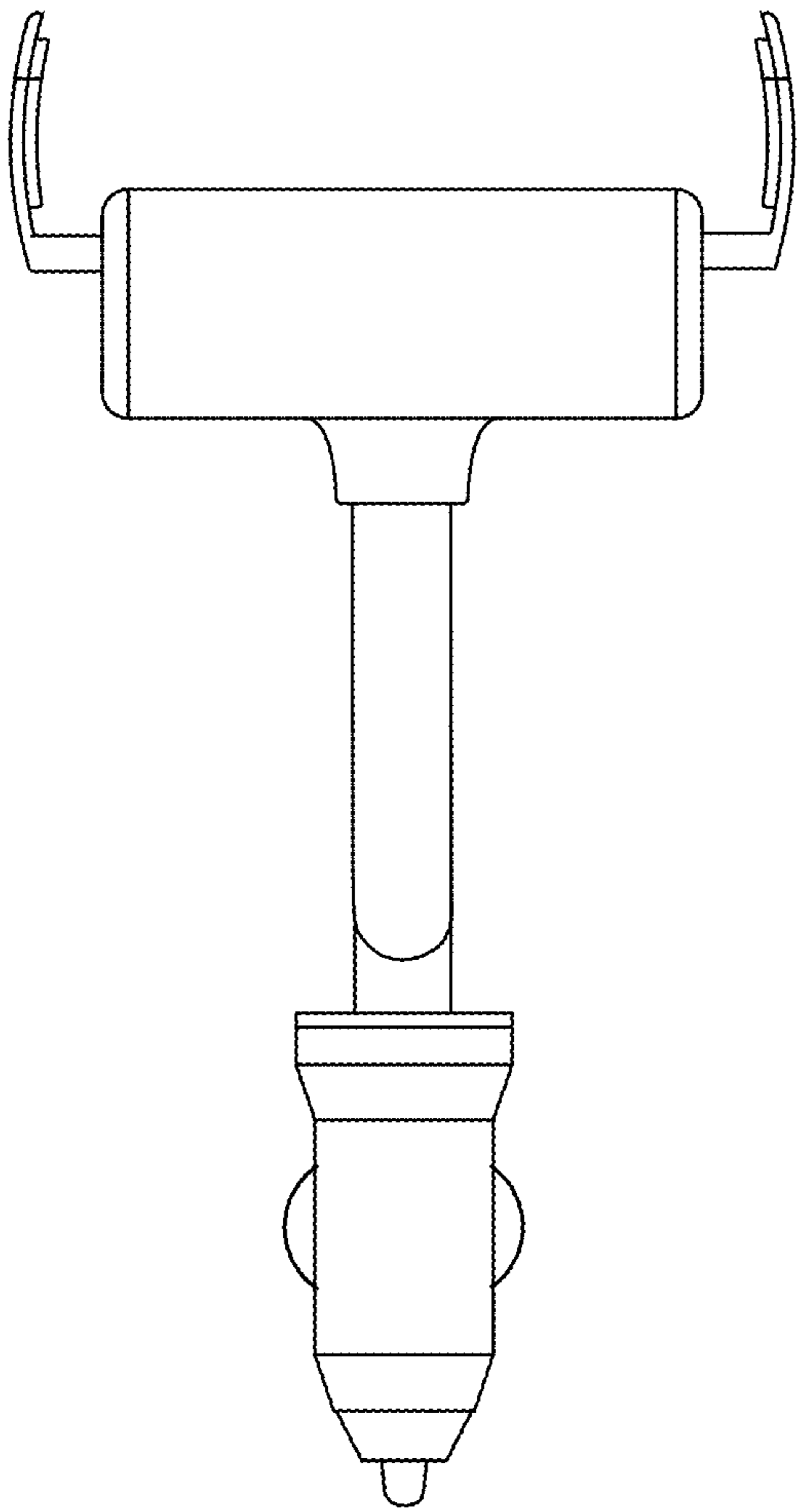


FIG. 6

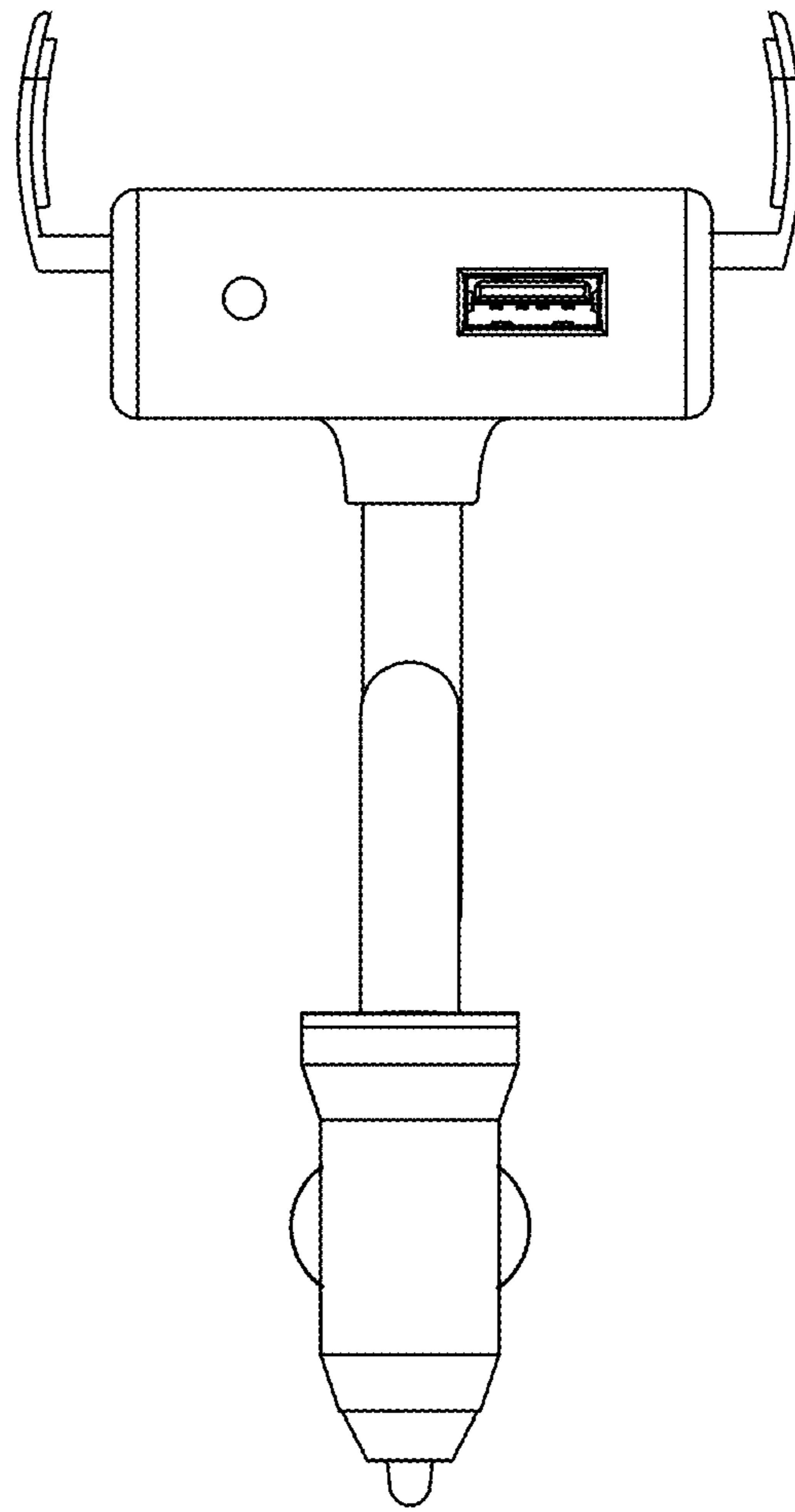


FIG. 7