



US00D777673S

(12) **United States Design Patent**
Gouhl et al.

(10) **Patent No.:** **US D777,673 S**
(45) **Date of Patent:** **** Jan. 31, 2017**

- (54) **CIRCUIT INTERRUPTER**
- (71) Applicant: **EATON CORPORATION**, Cleveland, OH (US)
- (72) Inventors: **Erik Jefferey Gouhl**, Fayetteville, GA (US); **Luis F. Salas**, Fayetteville, FL (US); **Pramod Kumar**, Peachtree City, GA (US)
- (73) Assignee: **EATON CORPORATION**, Cleveland, OH (US)
- (**) Term: **15 Years**
- (21) Appl. No.: **29/541,716**
- (22) Filed: **Oct. 7, 2015**
- (51) **LOC (10) Cl.** **13-03**
- (52) **U.S. Cl.**
USPC **D13/139.3**
- (58) **Field of Classification Search**
USPC D13/139.1, 139.3, 139.6, 177; 340/12.39; 361/42; 335/18; 174/50
CPC ... H01R 13/7135; H01R 13/713; H01H 83/04; H01H 51/088; H01H 83/02; H01H 83/144
See application file for complete search history.

- D521,932 S * 5/2006 Fort D13/139.6
- D531,121 S * 10/2006 Fort D13/139.3
- D536,305 S * 2/2007 Fort D13/139.6
- D537,413 S * 2/2007 Fort D13/139.6
- D545,272 S * 6/2007 Zhang D13/139.3
- D598,859 S * 8/2009 Vaccaro D13/139.3
- D603,983 S * 11/2009 Richter D13/177
- D603,984 S * 11/2009 Richter D13/177

(Continued)

Primary Examiner — Rhea Shields

(74) *Attorney, Agent, or Firm* — Eckert Seamans; Nathaniel Wilks; Grant Coffield

(57) **CLAIM**

The ornamental design for a circuit interrupter, as shown and described.

DESCRIPTION

FIG. 1 is an upper left perspective view of a first embodiment of the circuit interrupter;
 FIG. 2 is a front elevational view thereof;
 FIG. 3 is a right side elevational view thereof;
 FIG. 4 is a left side elevational view thereof;
 FIG. 5 is a top plan view thereof;
 FIG. 6 is a bottom plan view thereof;
 FIG. 7 is a rear elevational view thereof;
 FIG. 8 is an upper left perspective view of a second embodiment of the circuit interrupter;
 FIG. 9 is a front elevational view thereof;
 FIG. 10 is a right side elevational view thereof;
 FIG. 11 is a left side elevational view thereof;
 FIG. 12 is a top plan view thereof;
 FIG. 13 is a bottom plan view thereof; and,
 FIG. 14 is a rear elevational view thereof.

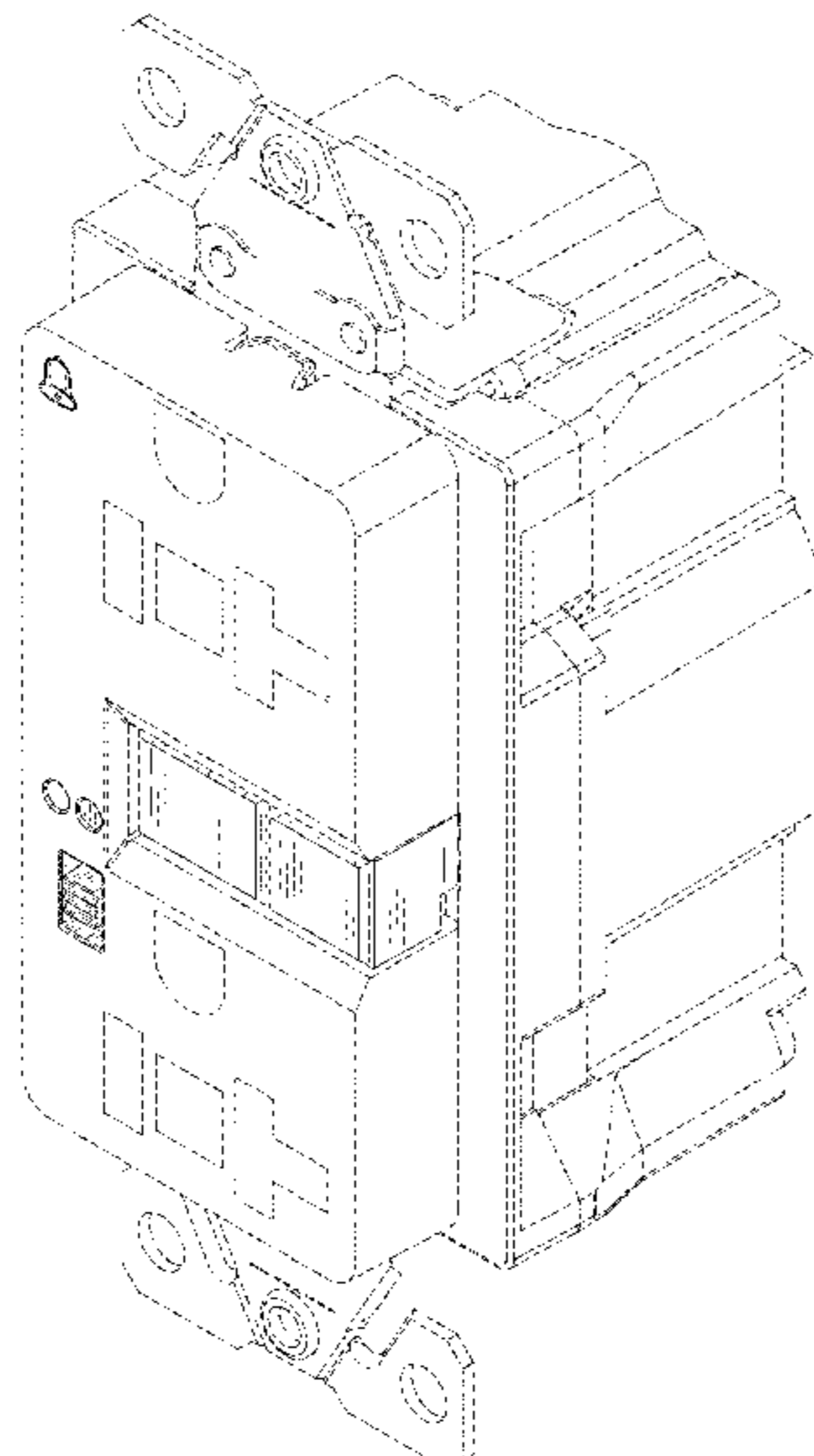
In the drawings, the broken lines are for the purpose of illustrating environment only and form no part of the claimed design.

(56) **References Cited**

U.S. PATENT DOCUMENTS

- 4,518,945 A * 5/1985 Doyle H01H 51/088
340/12.39
- 4,595,894 A * 6/1986 Doyle H01H 83/02
335/18
- 4,802,052 A * 1/1989 Brant H01R 13/7135
335/18
- 5,594,398 A * 1/1997 Marcou H01H 83/04
335/18
- D512,021 S * 11/2005 Fort D13/139.6
- 7,034,224 B2 * 4/2006 Kim H01R 13/713
174/50

1 Claim, 12 Drawing Sheets



(56)

References Cited

U.S. PATENT DOCUMENTS

D604,873 S * 11/2009 Richter D13/177
D674,753 S * 1/2013 Jansen D13/139.1
D692,385 S * 10/2013 Dodal D13/139.1
D705,734 S * 5/2014 Dodal D13/139.1
D732,719 S * 6/2015 Mozdzer D13/139.1
D744,952 S * 12/2015 Ni D13/139.3
2008/0024252 A1* 1/2008 Gallas H01H 83/144
335/18
2008/0024942 A1* 1/2008 Gallas H01H 83/144
361/42
2008/0112099 A1* 5/2008 Li H01H 83/04
361/42

* cited by examiner

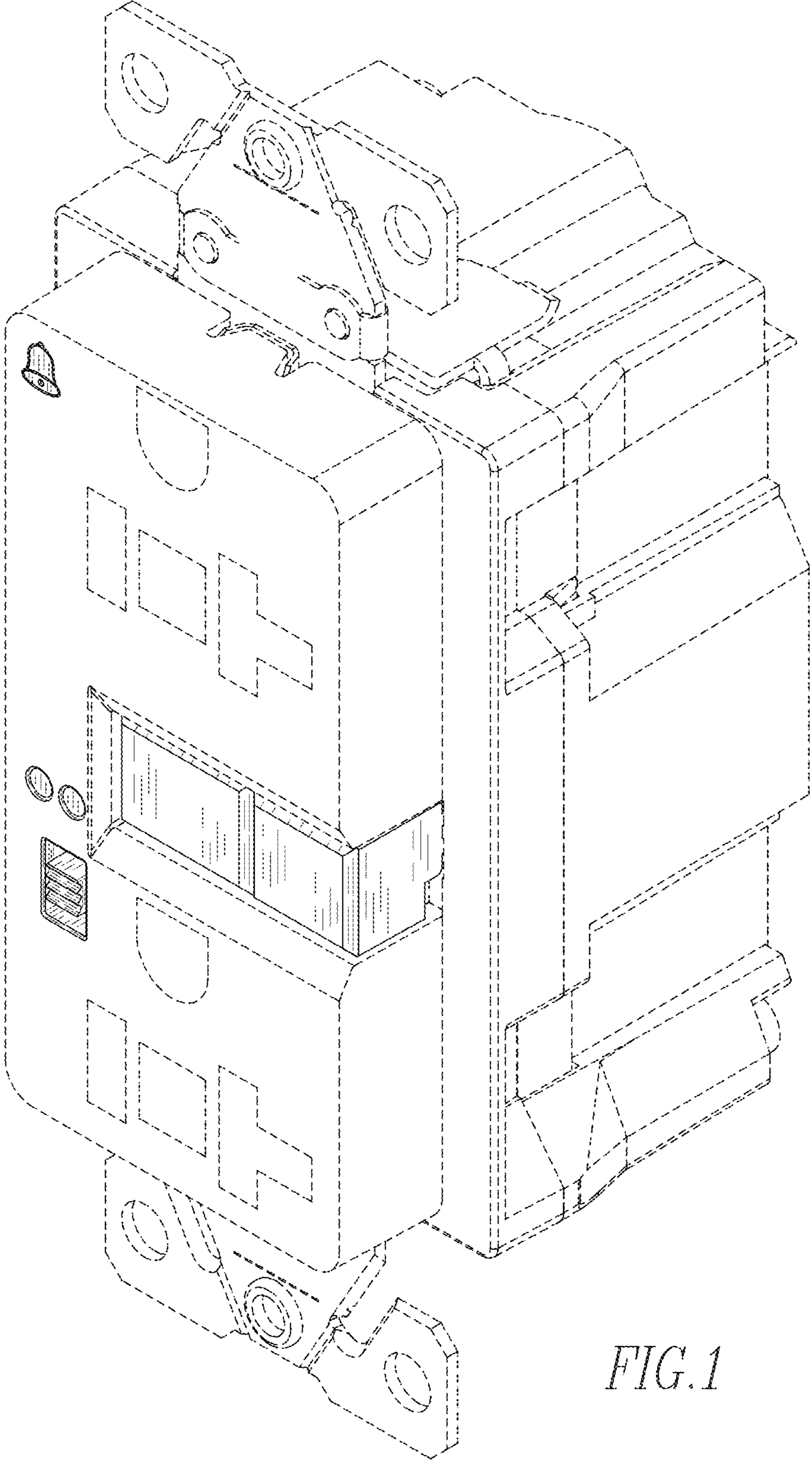


FIG. 1

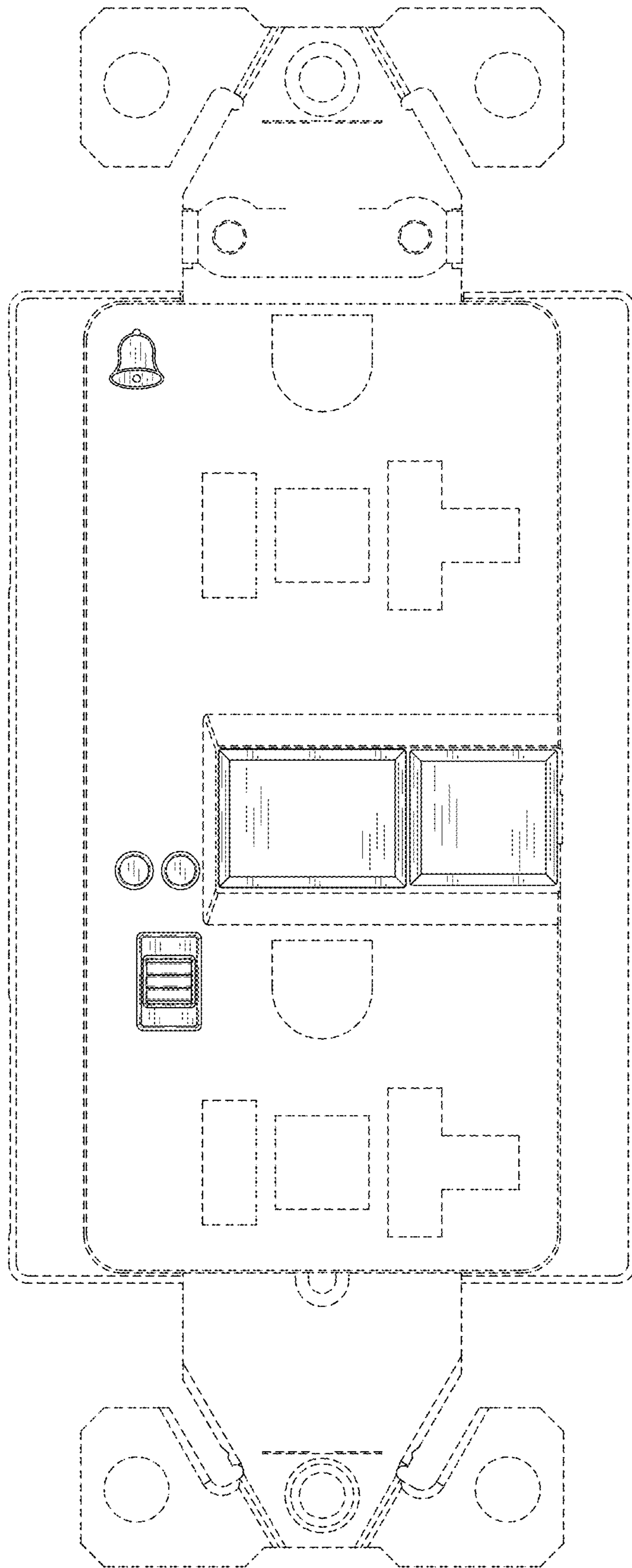


FIG. 2

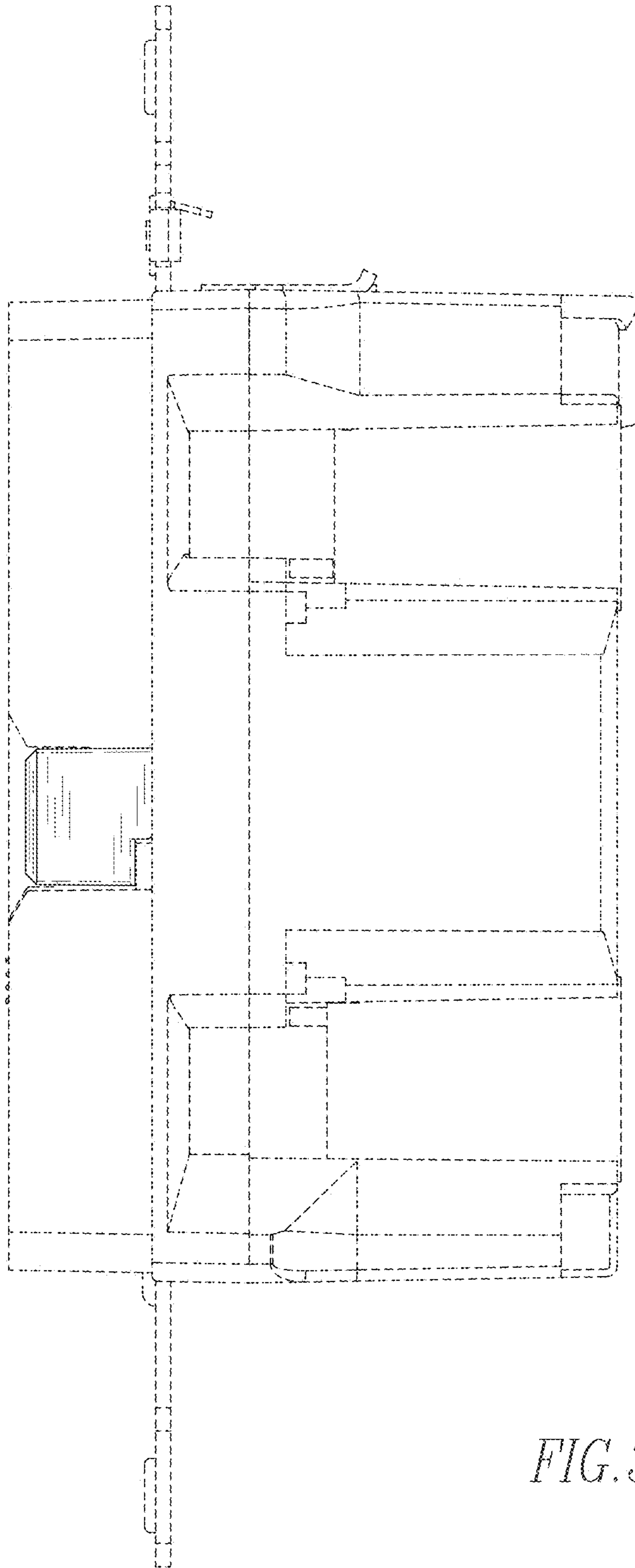


FIG. 3

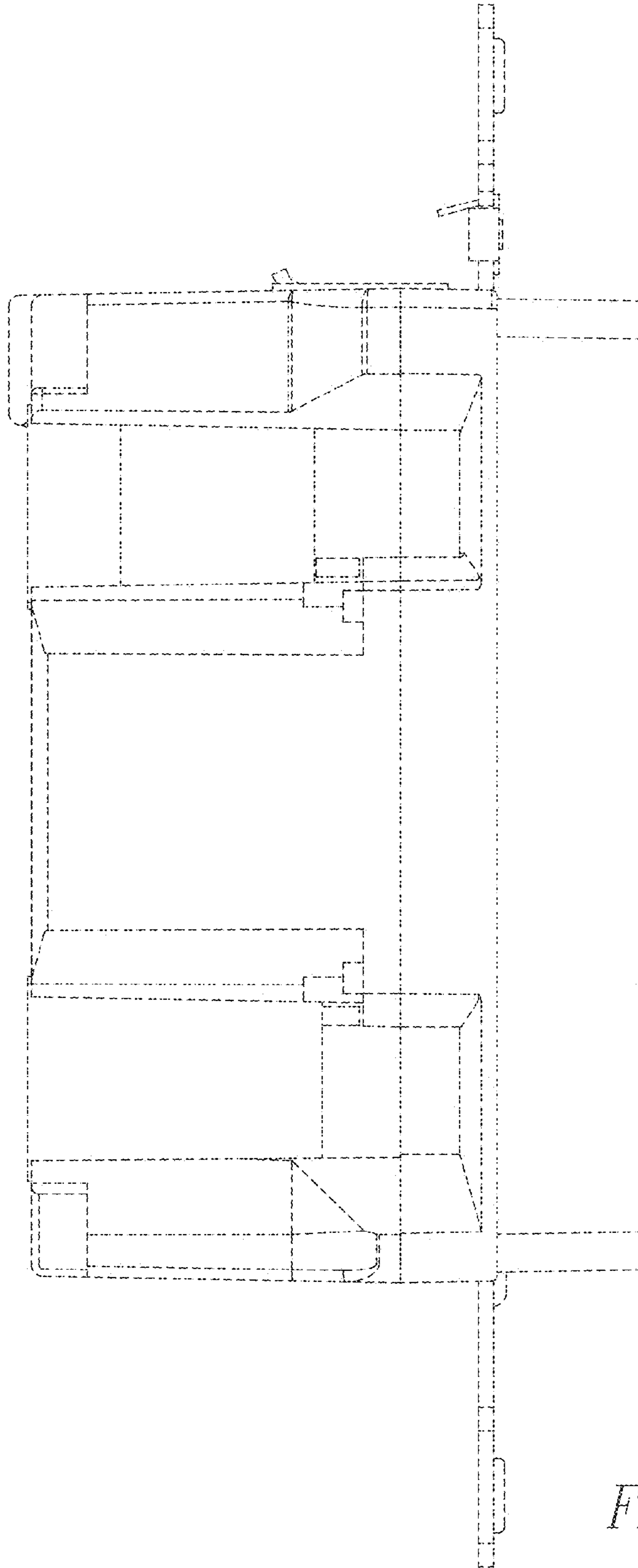


FIG. 4

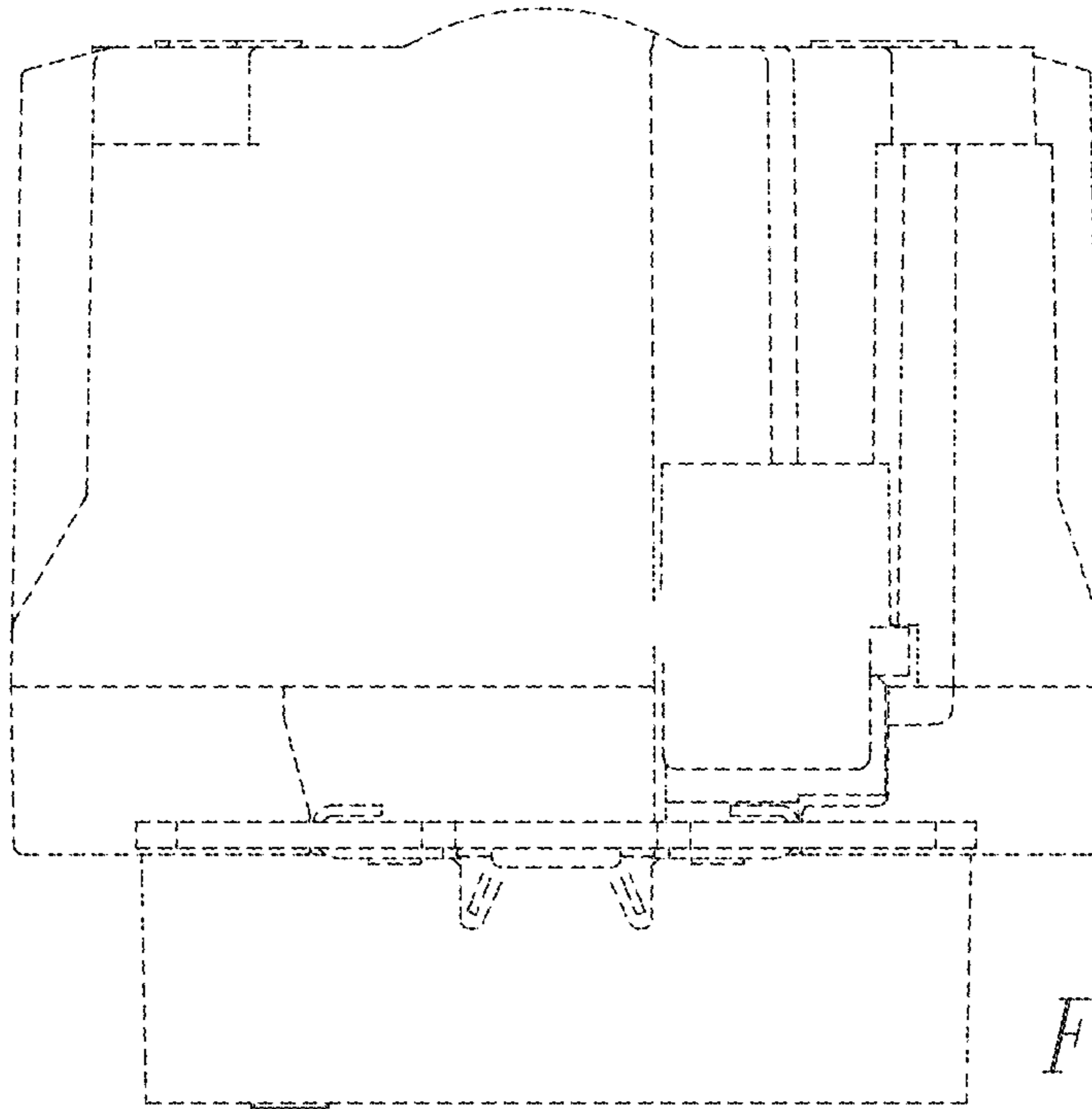


FIG. 5

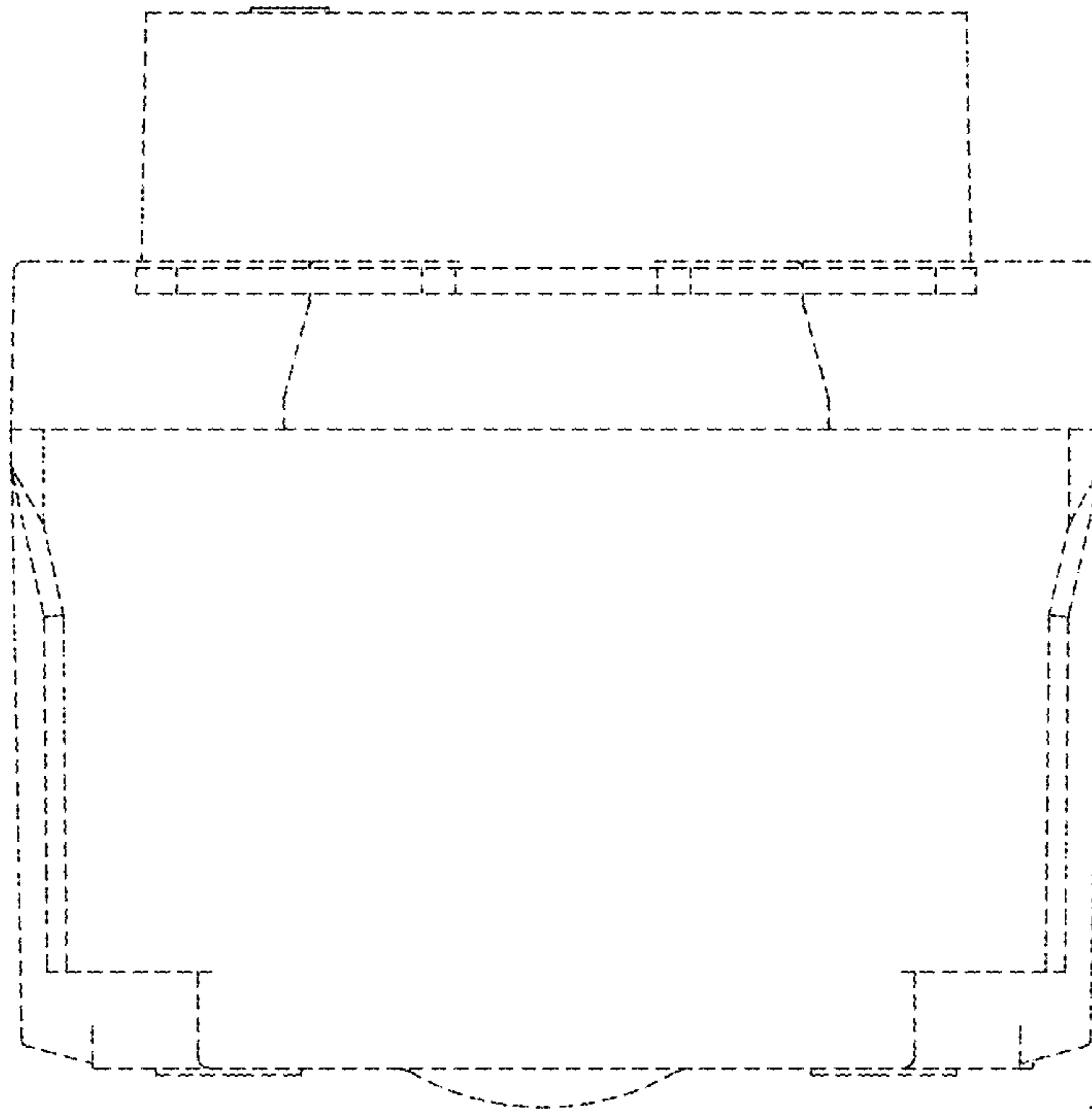


FIG. 6

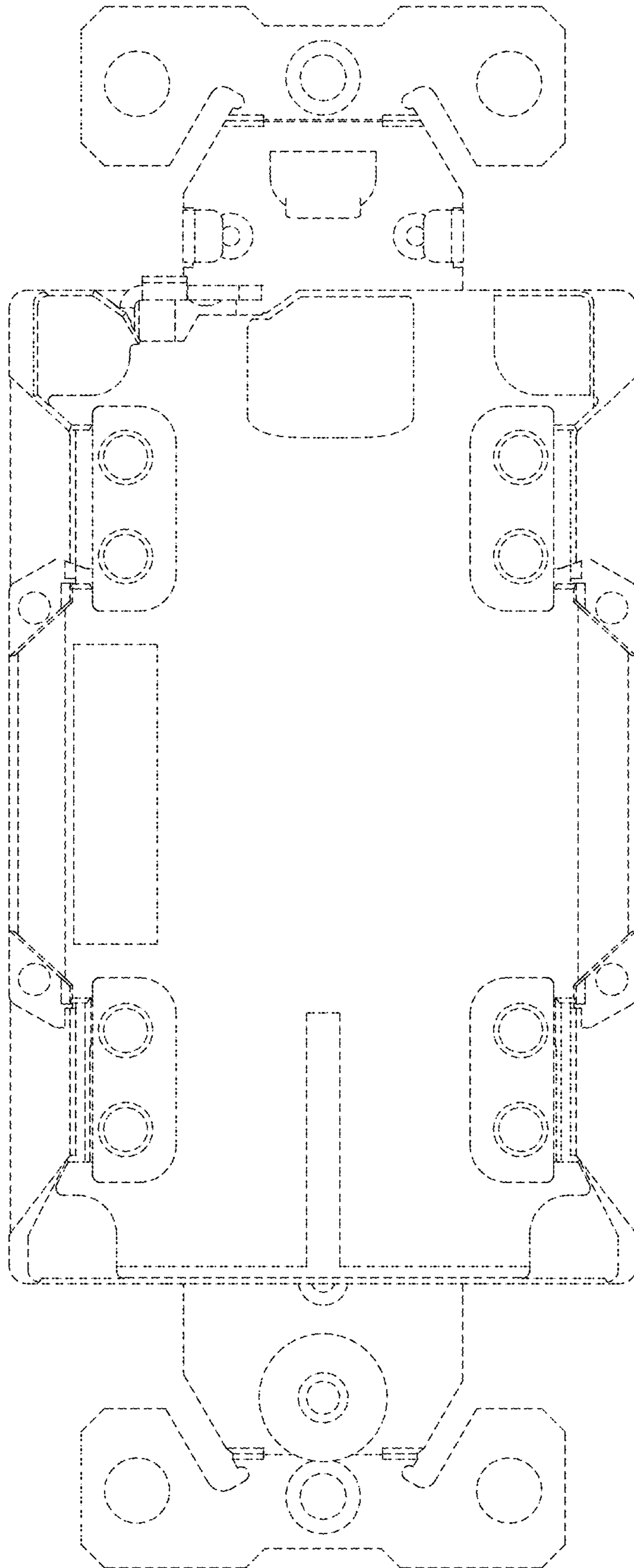


FIG. 7

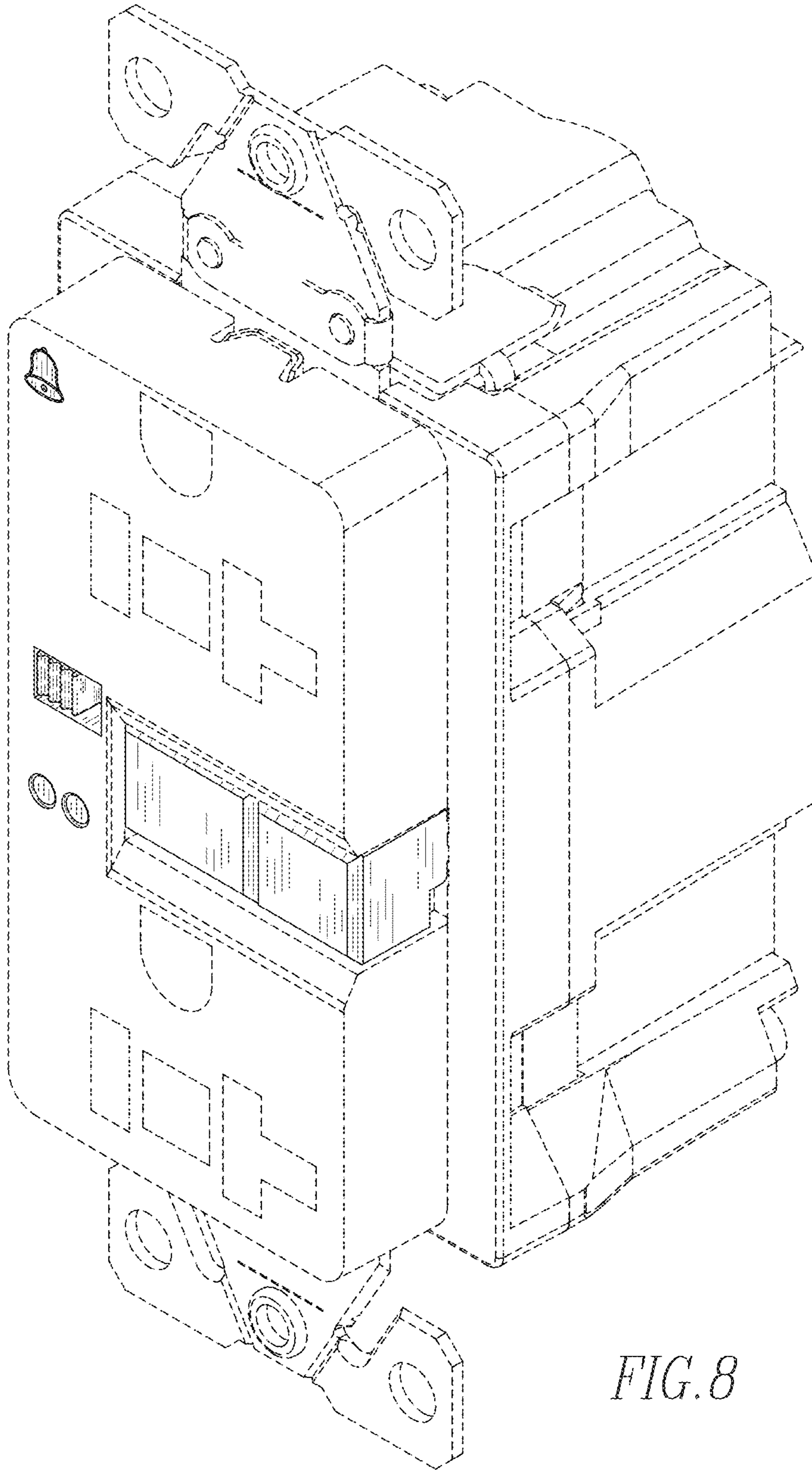


FIG. 8

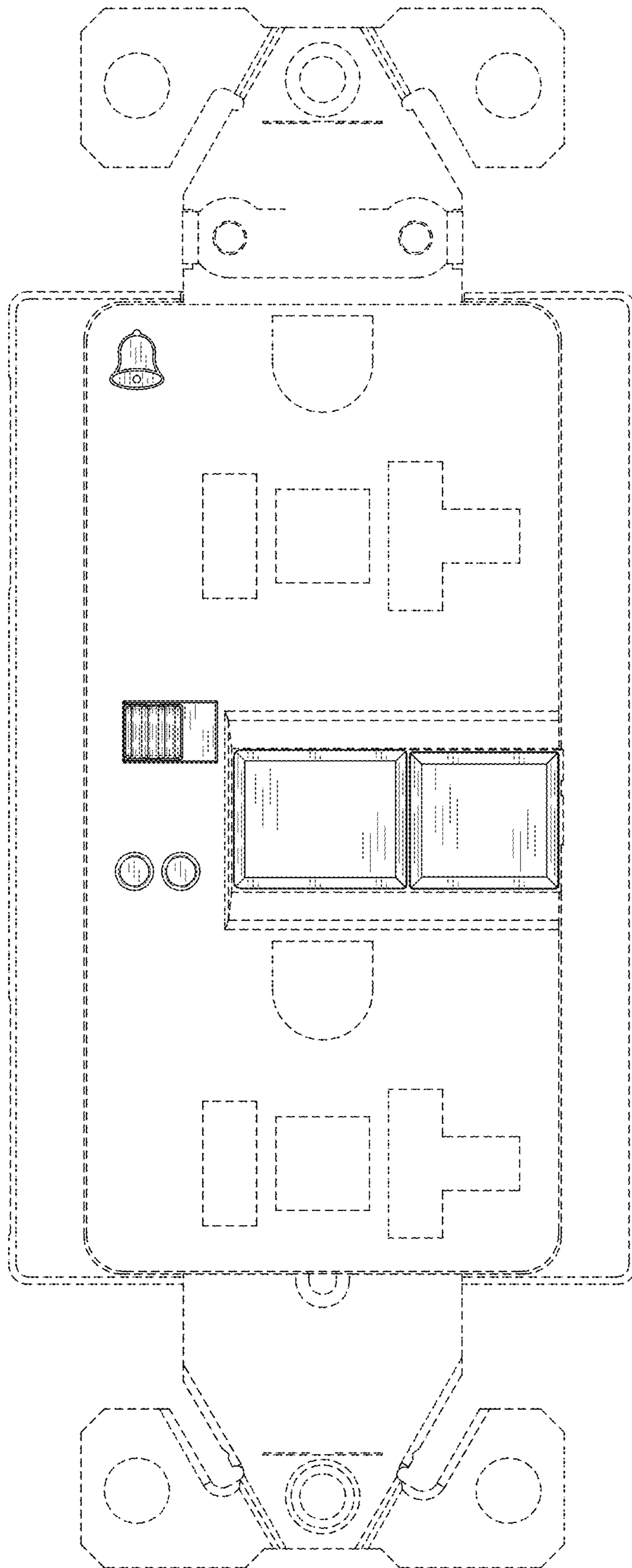


FIG. 9

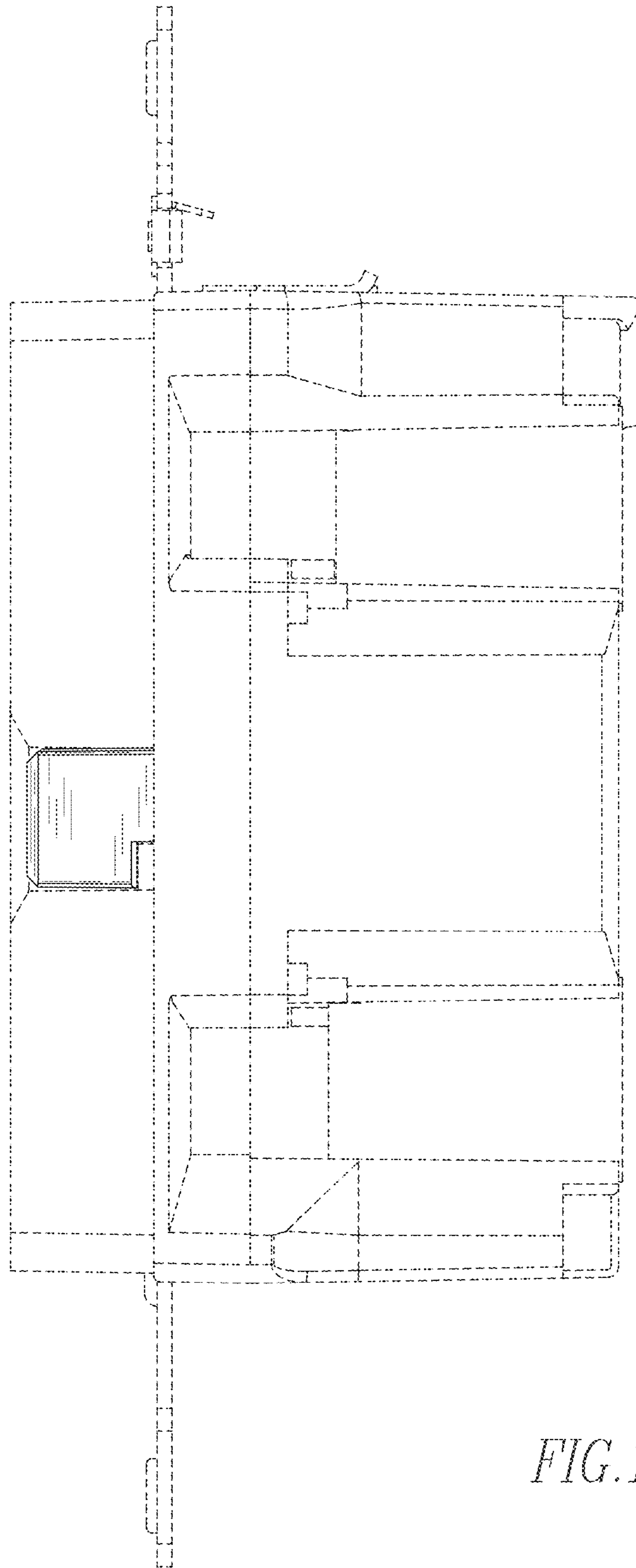


FIG. 10

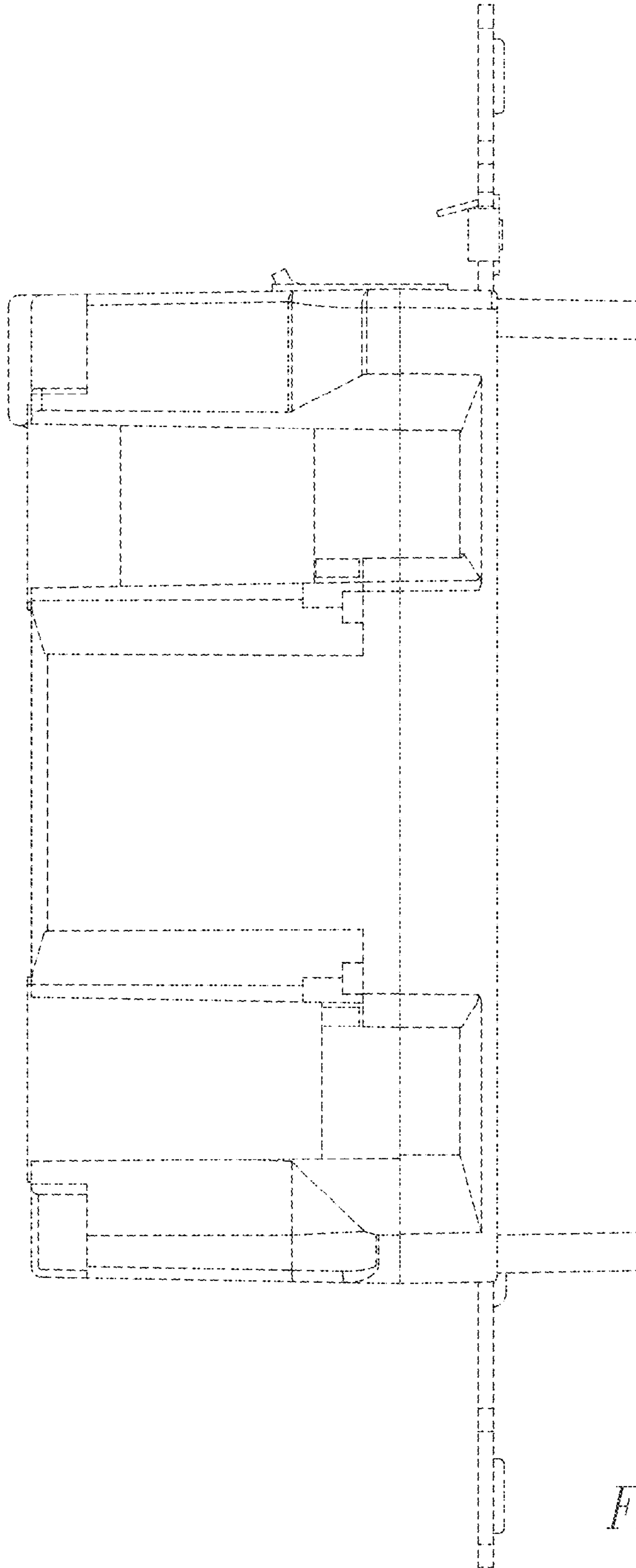


FIG. 11

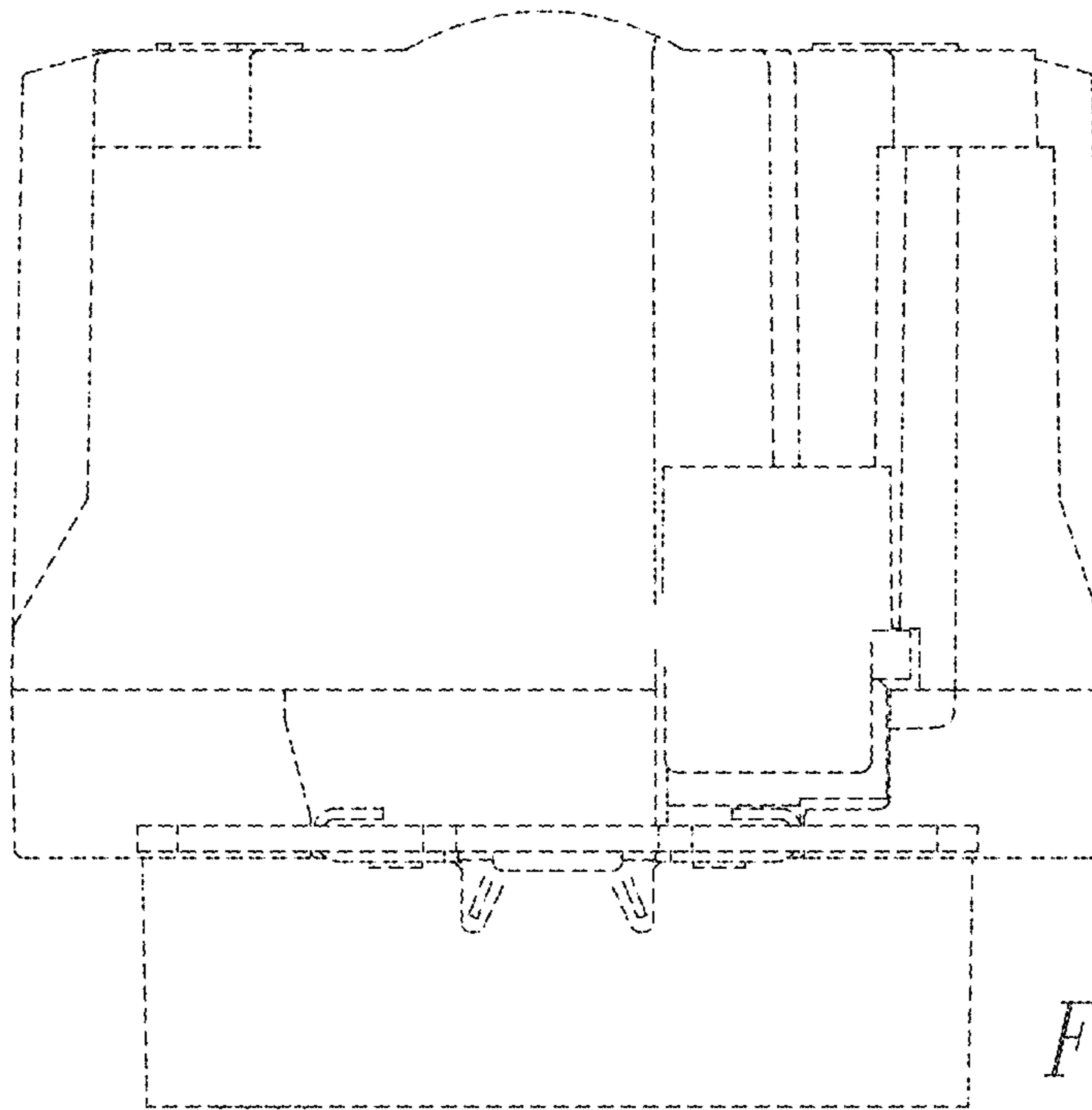


FIG. 12

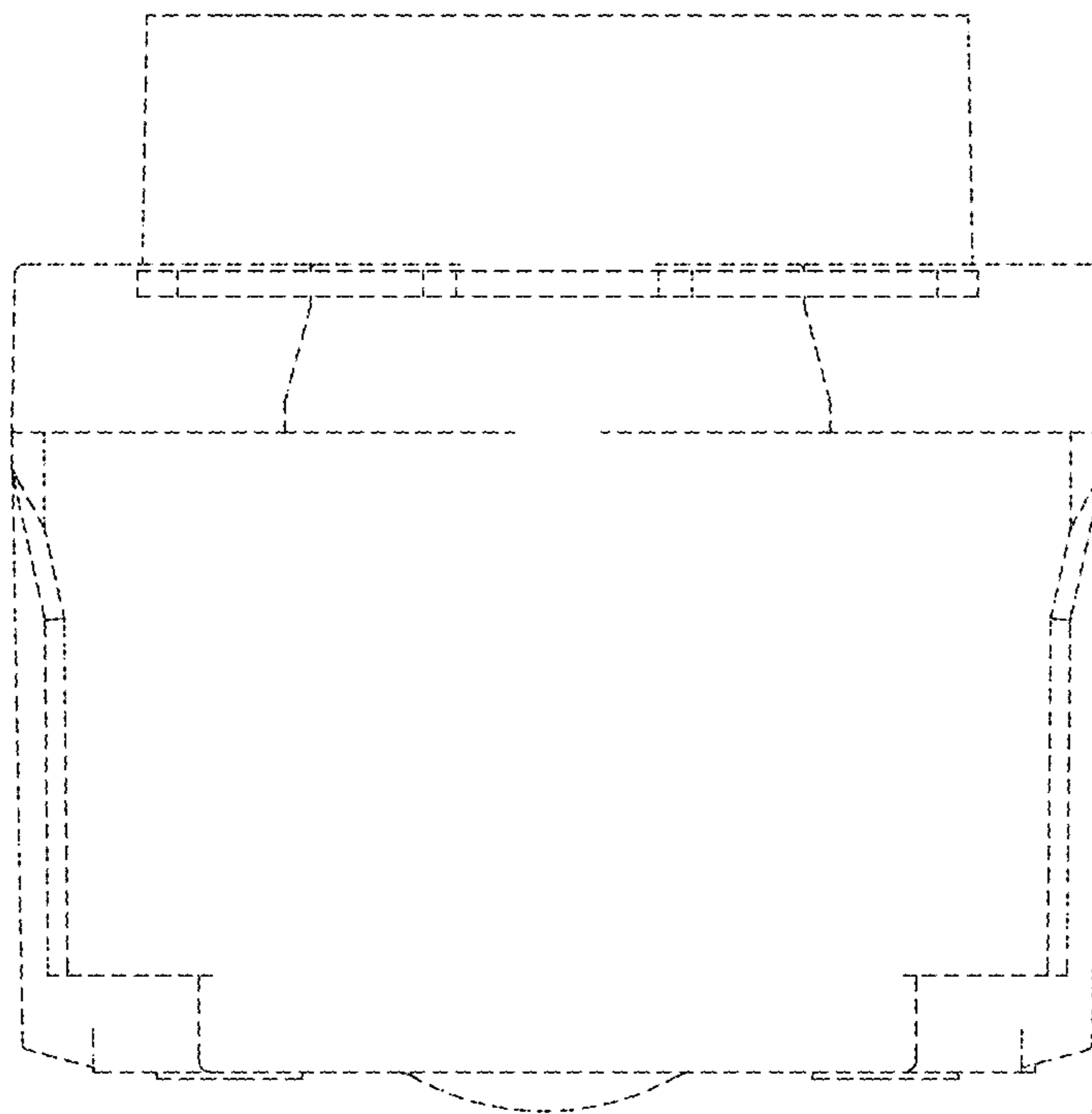


FIG. 13

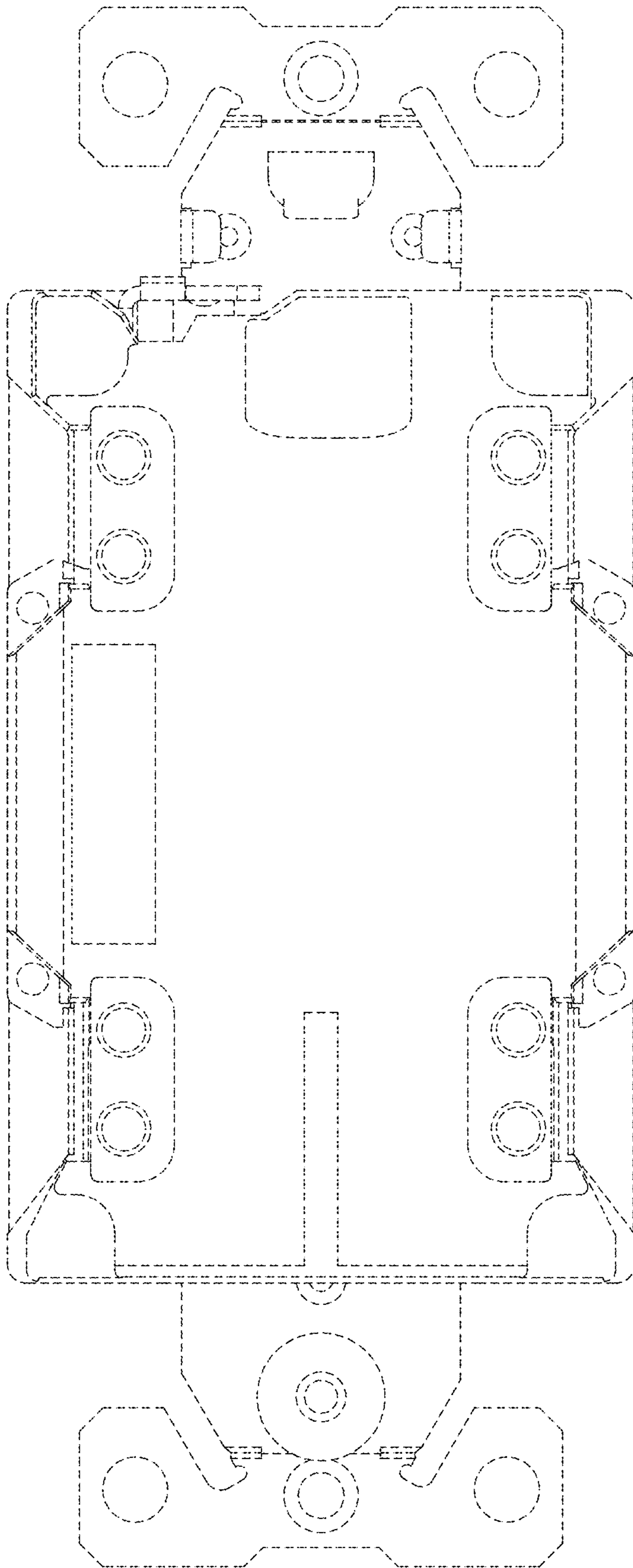


FIG. 14