



US00D777671S

(12) **United States Design Patent**  
**Ishiguro et al.**

(10) **Patent No.:** **US D777,671 S**  
(45) **Date of Patent:** **\*\* Jan. 31, 2017**

(54) **CONNECTOR**

(71) Applicant: **Japan Aviation Electronics Industry, Limited**, Tokyo (JP)

(72) Inventors: **Masaki Ishiguro**, Tokyo (JP); **Hideto Shimazu**, Tokyo (JP)

(73) Assignee: **JAPAN AVIATION ELECTRONICS INDUSTRY, LIMITED**, Tokyo (JP)

(\*\*) Term: **14 Years**

(21) Appl. No.: **29/511,014**

(22) Filed: **Dec. 5, 2014**

(30) **Foreign Application Priority Data**

Jun. 16, 2014 (JP) ..... 2014-012949  
Jun. 16, 2014 (JP) ..... 2014-012950

(51) **LOC (10) Cl.** ..... **13-03**

(52) **U.S. Cl.**  
USPC ..... **D13/133**

(58) **Field of Classification Search**  
USPC ..... D13/101, 103, 110, 118, 123, 133-136,  
D13/146, 147, 149, 151-156, 173, 184,  
D13/199  
CPC ..... F16B 7/00; H01R 4/66; H01R 9/00;  
H01R 9/05; H01R 9/24; H01R  
13/62; H01R 13/79; H02G 3/00; H02G  
3/02; H02G 3/06; H02G 3/18  
See application file for complete search history.

(56) **References Cited**

**U.S. PATENT DOCUMENTS**

D496,909 S \* 10/2004 D'Addario ..... D13/133  
D505,918 S \* 6/2005 Conway ..... D13/147  
D529,441 S \* 10/2006 LaPere ..... D13/133  
D529,865 S \* 10/2006 LaPere ..... D13/133  
D597,947 S \* 8/2009 Ono ..... D13/133

D633,768 S \* 3/2011 Adkins ..... D8/70  
D686,164 S \* 7/2013 Haberek ..... D13/151  
D688,601 S \* 8/2013 Cheng ..... D12/114  
D744,954 S \* 12/2015 Ishiguro ..... D13/147  
D753,594 S \* 4/2016 Katagiyama ..... D13/133  
D754,073 S \* 4/2016 Katagiyama ..... D13/133  
2010/0104355 A1\* 4/2010 Sugimoto ..... G02B 6/3897  
403/292  
2011/0021057 A1\* 1/2011 Katagiyama ..... H01R 13/625  
439/345

\* cited by examiner

*Primary Examiner* — Thomas Johannes

*Assistant Examiner* — Shawn T Gingrich

(74) *Attorney, Agent, or Firm* — Manabu Kanesaka

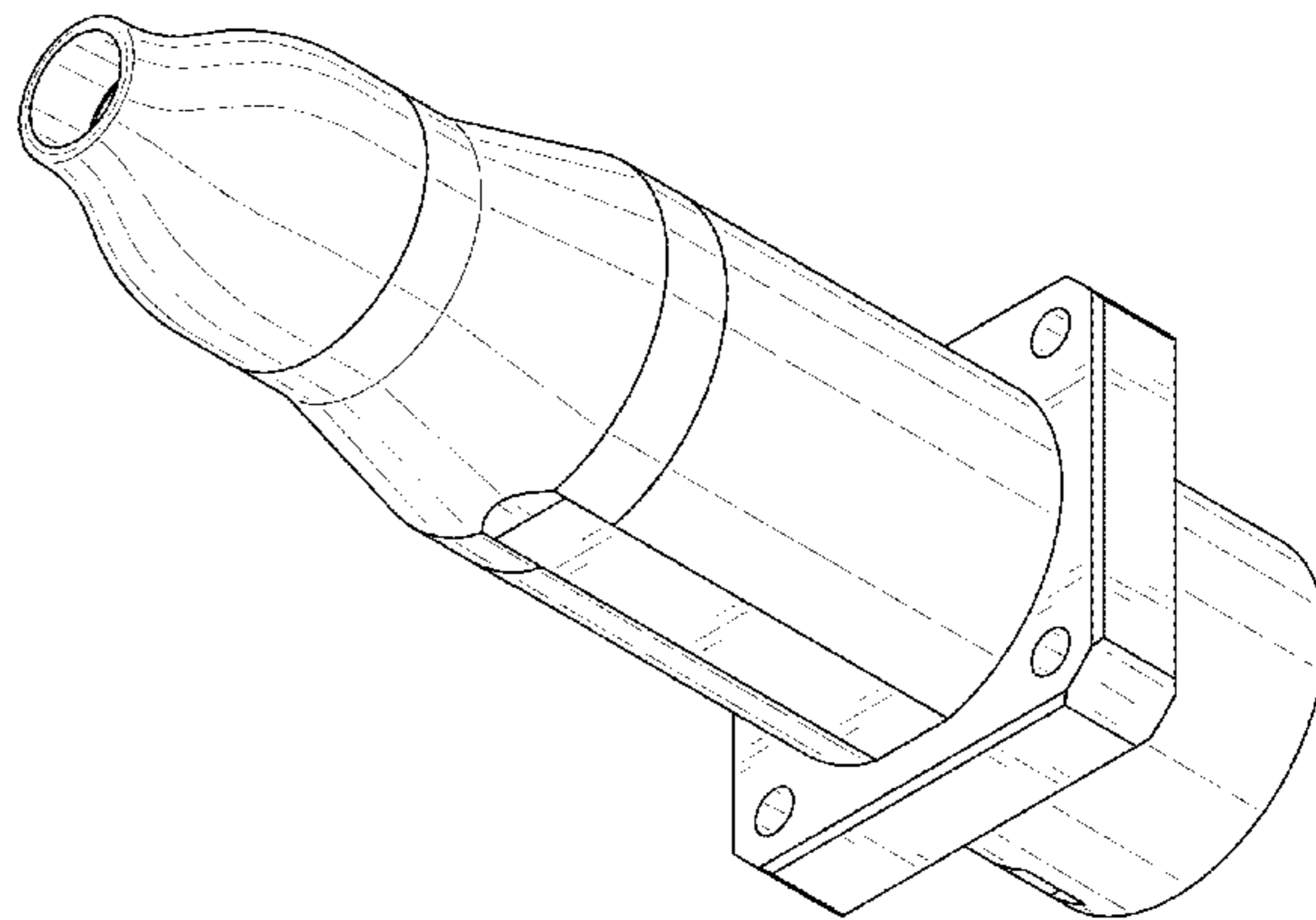
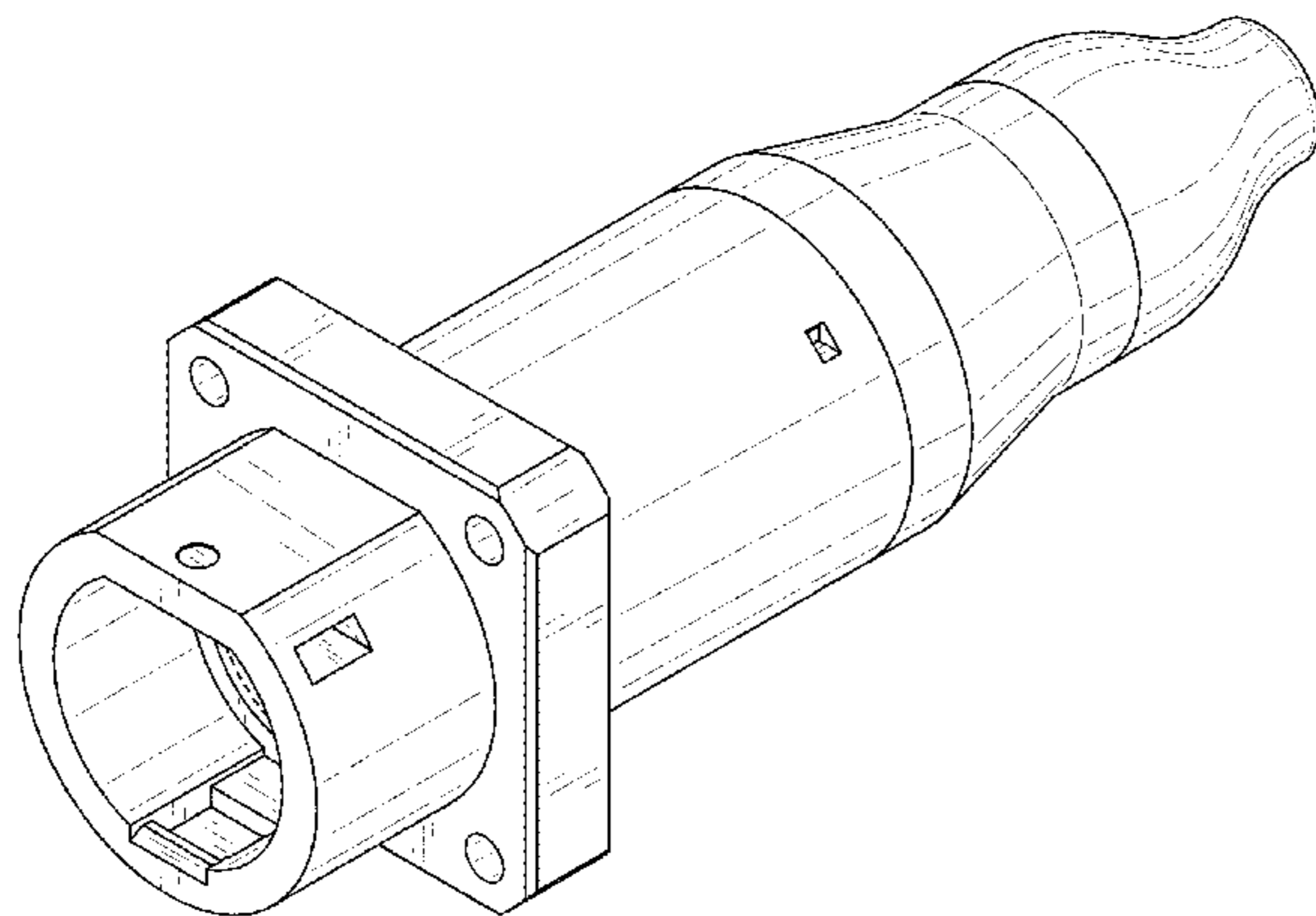
(57) **CLAIM**

The ornamental design for a connector, as shown and described.

**DESCRIPTION**

FIG. 1 is a front view of a connector showing our new design;  
FIG. 2 is a rear view thereof;  
FIG. 3 is a right side view thereof;  
FIG. 4 is a left side view thereof;  
FIG. 5 is a plan view thereof;  
FIG. 6 is a bottom view thereof;  
FIG. 7 is a perspective view showing a front, top and right side thereof;  
FIG. 8 is a perspective view showing a rear, bottom and left side thereof;  
FIG. 9 is a perspective view showing a front, right side and bottom thereof; and,  
FIG. 10 is a perspective view showing a rear, left side and top thereof.  
The broken lines are shown for environmental purposes only and depict portions of the connector that form no part of claimed design.

**1 Claim, 9 Drawing Sheets**



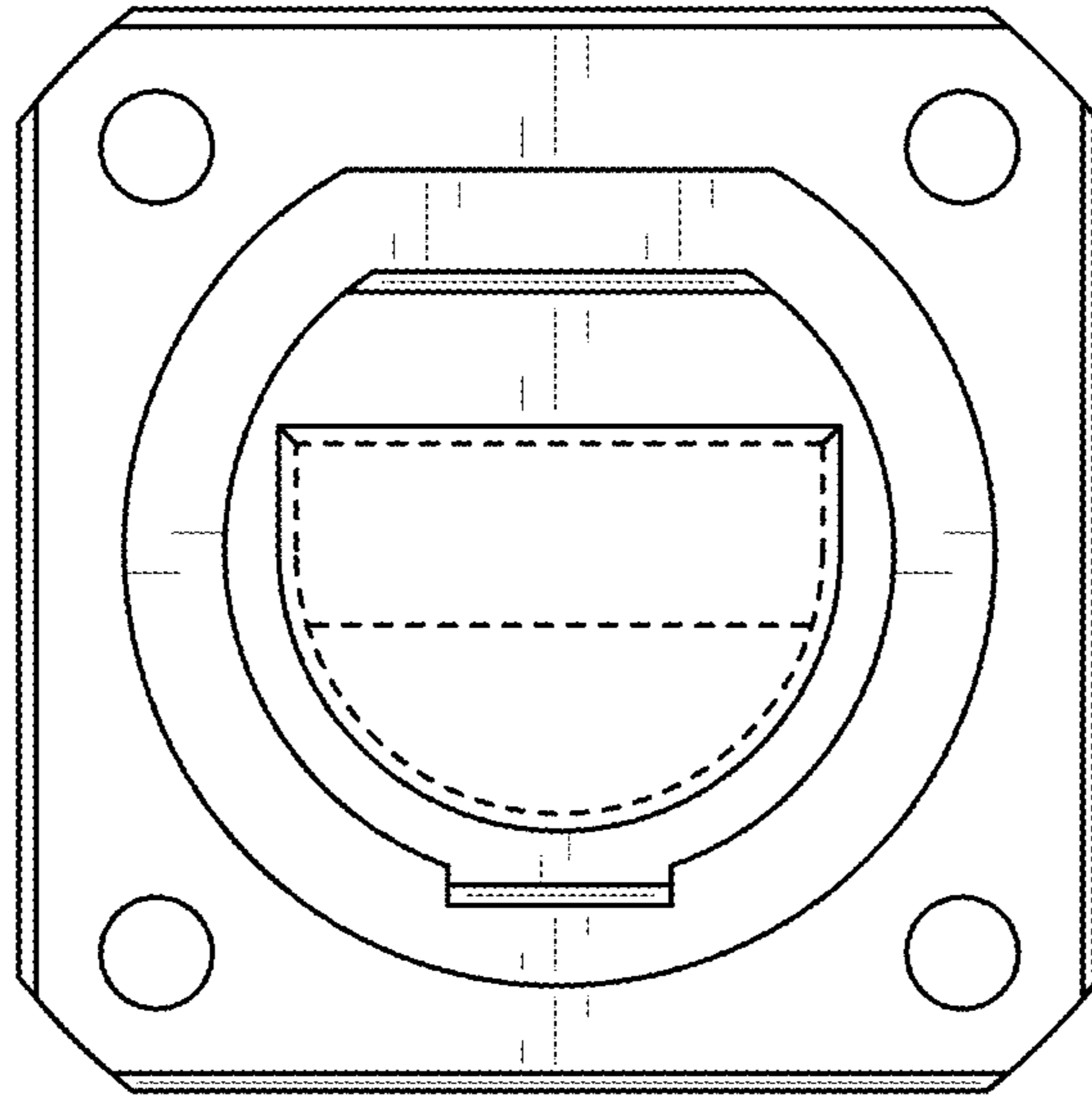


FIG. 1

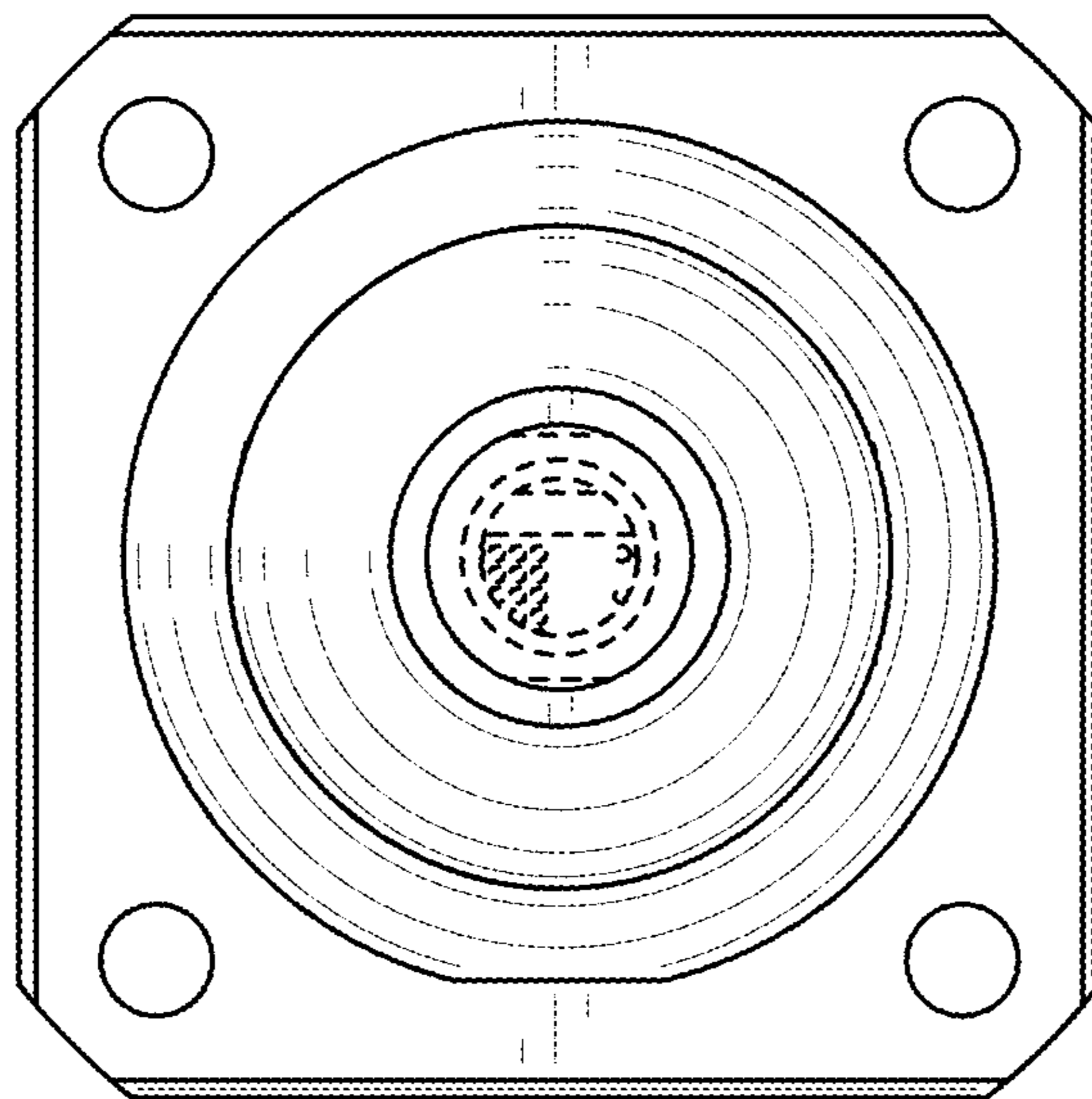


FIG. 2

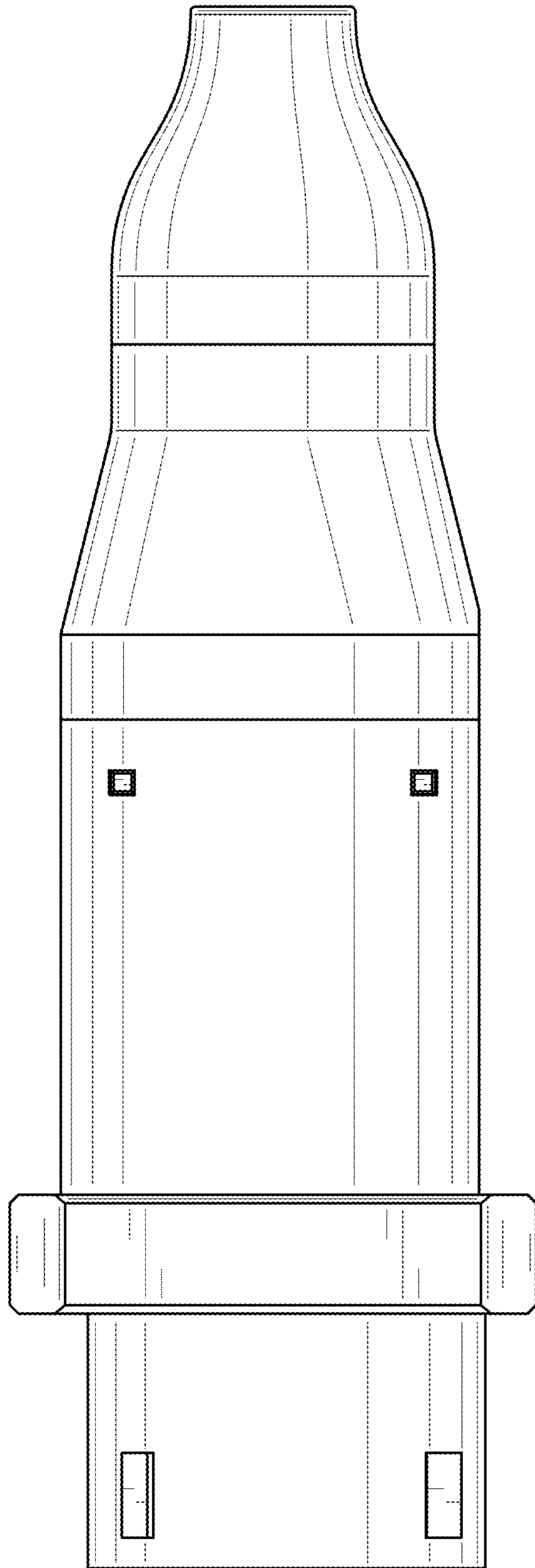


FIG. 3

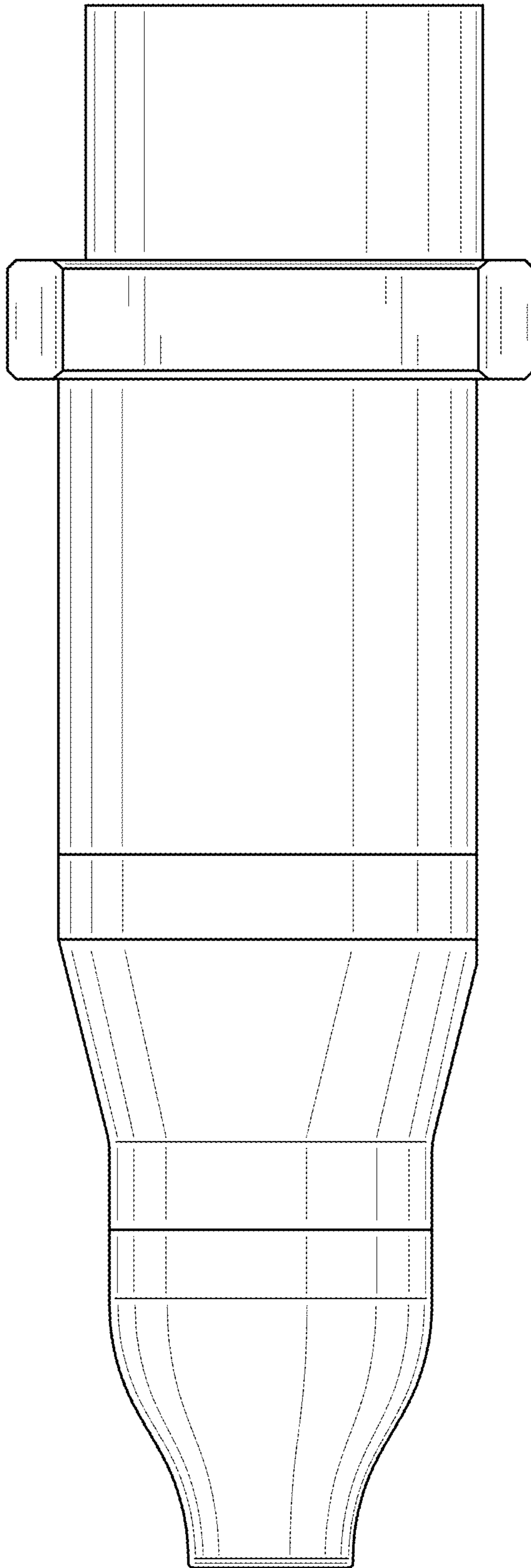


FIG. 4

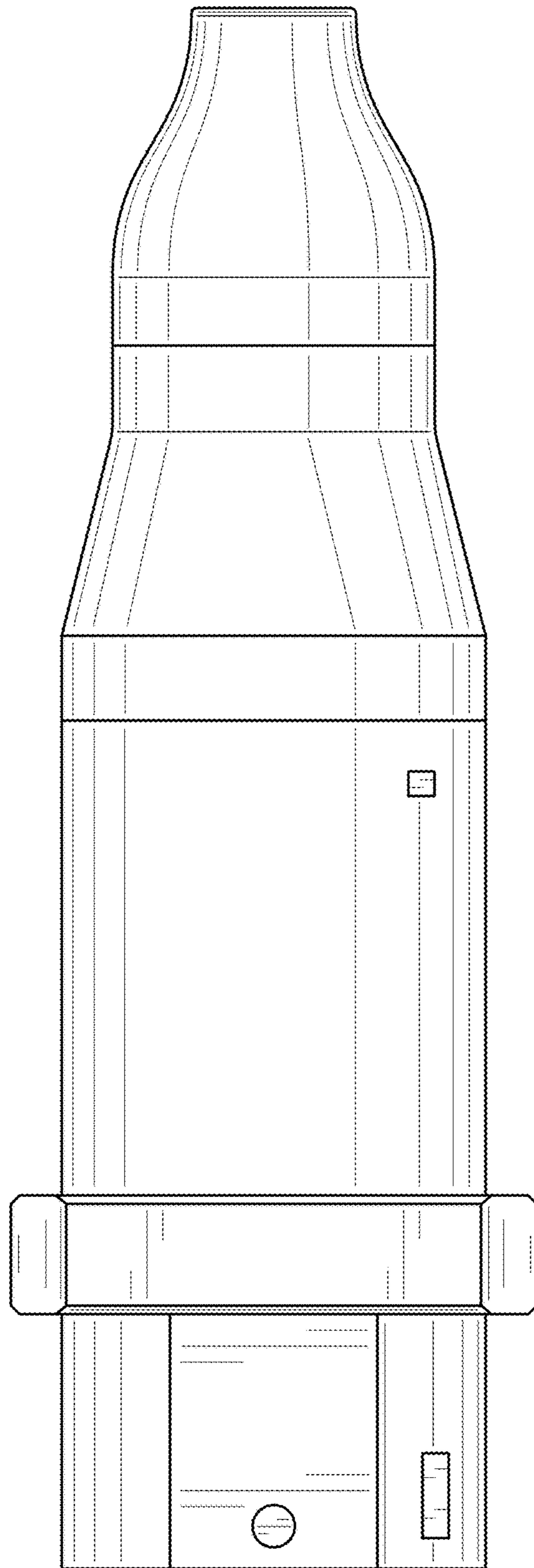


FIG. 5

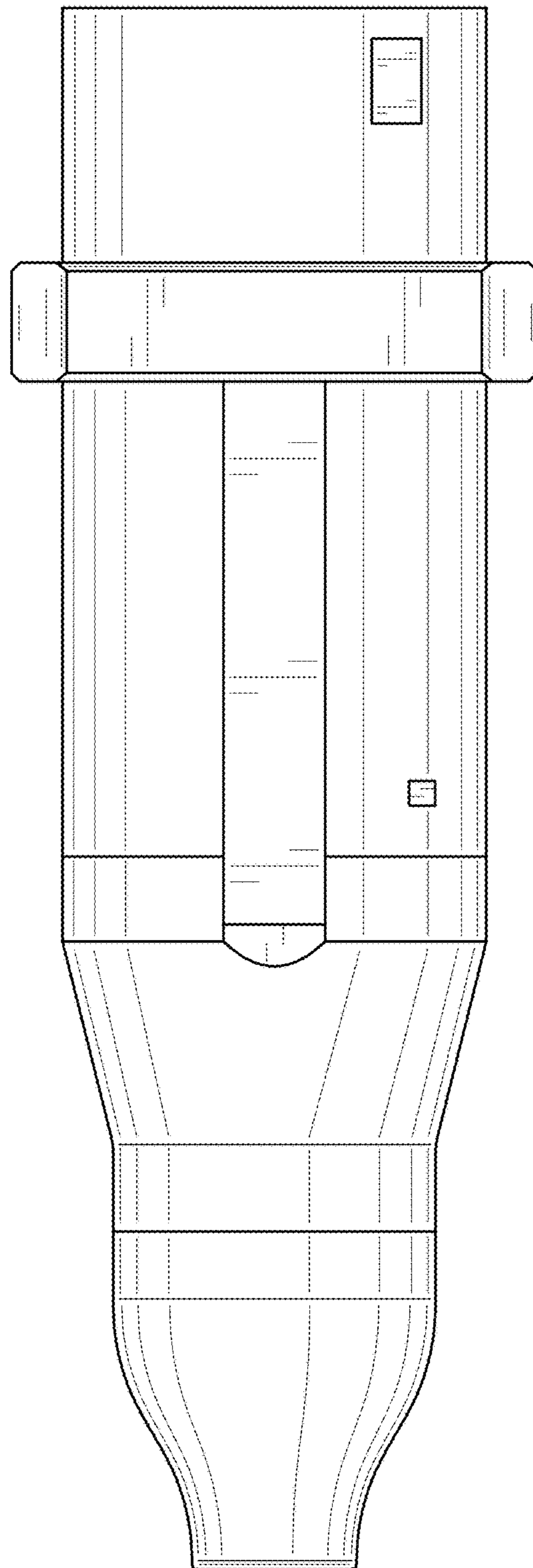


FIG. 6

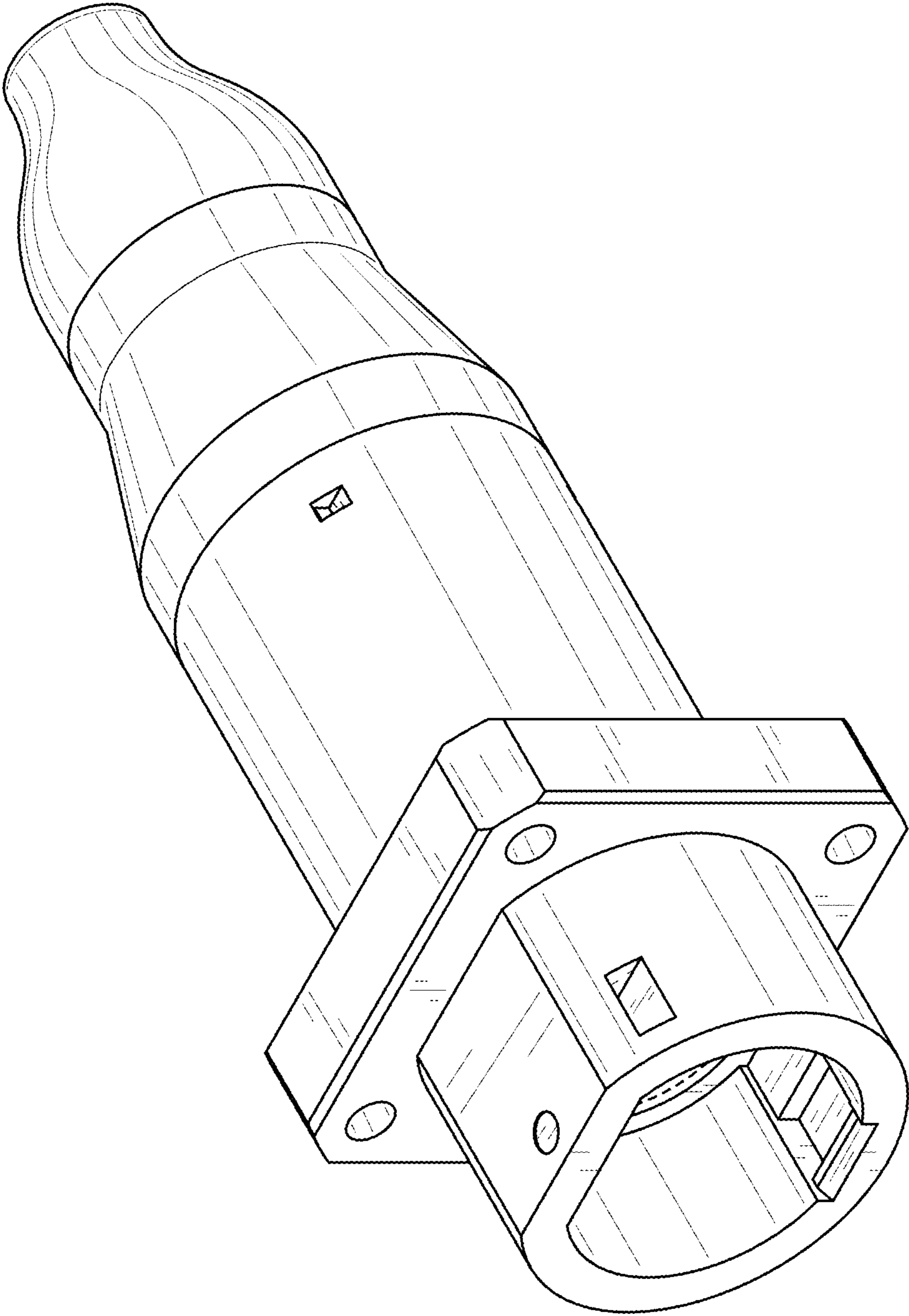


FIG. 7

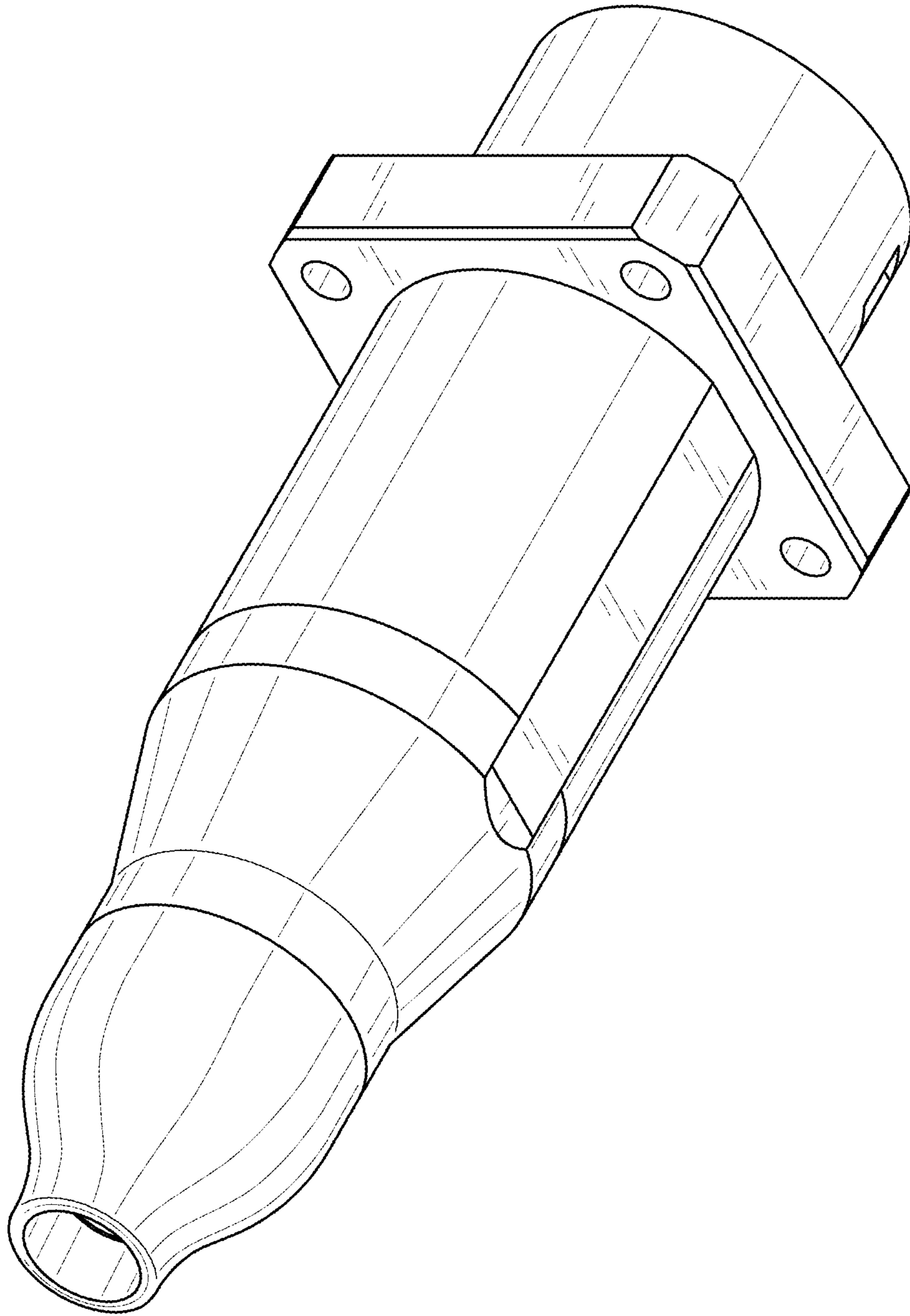


FIG. 8



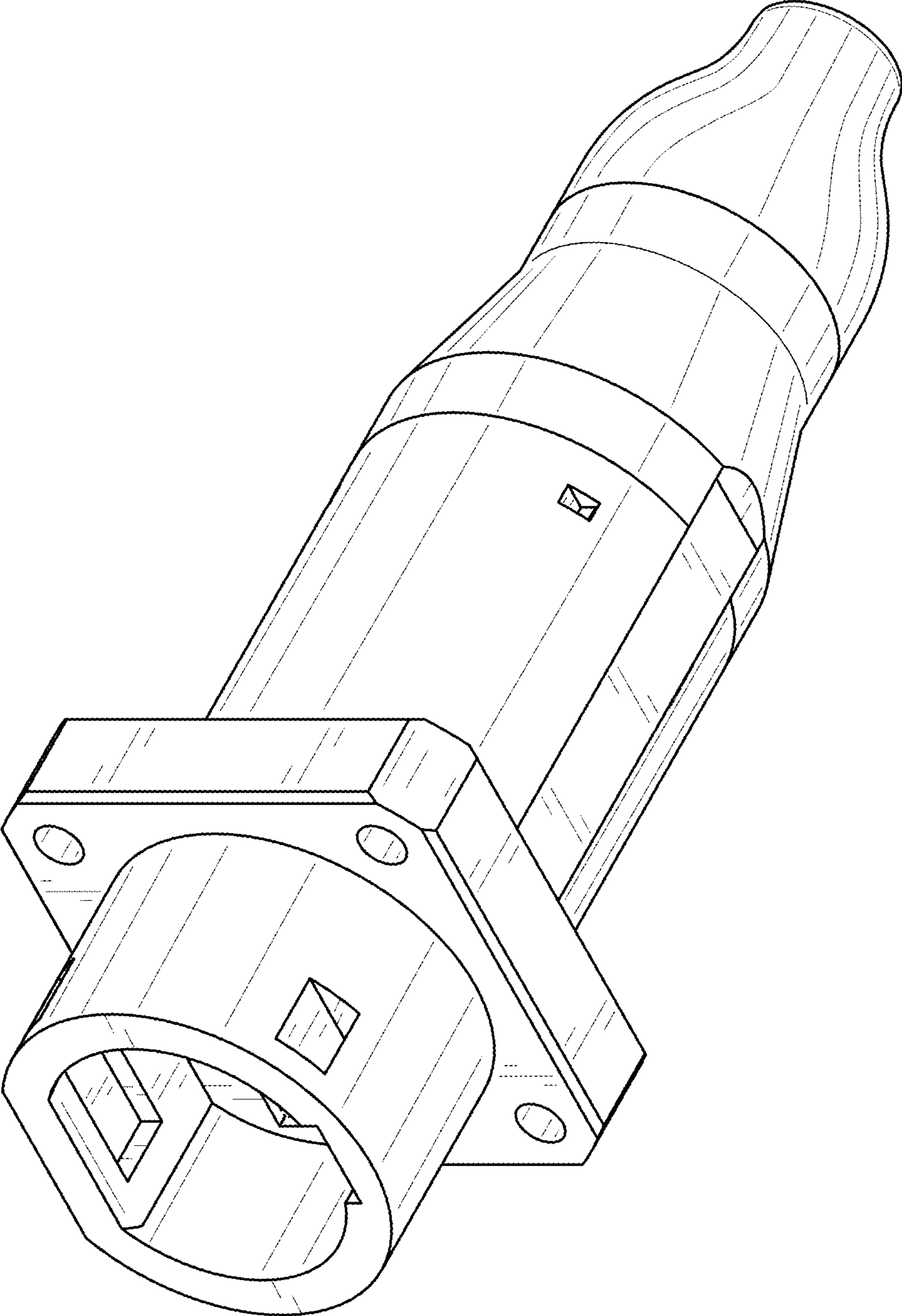


FIG. 9

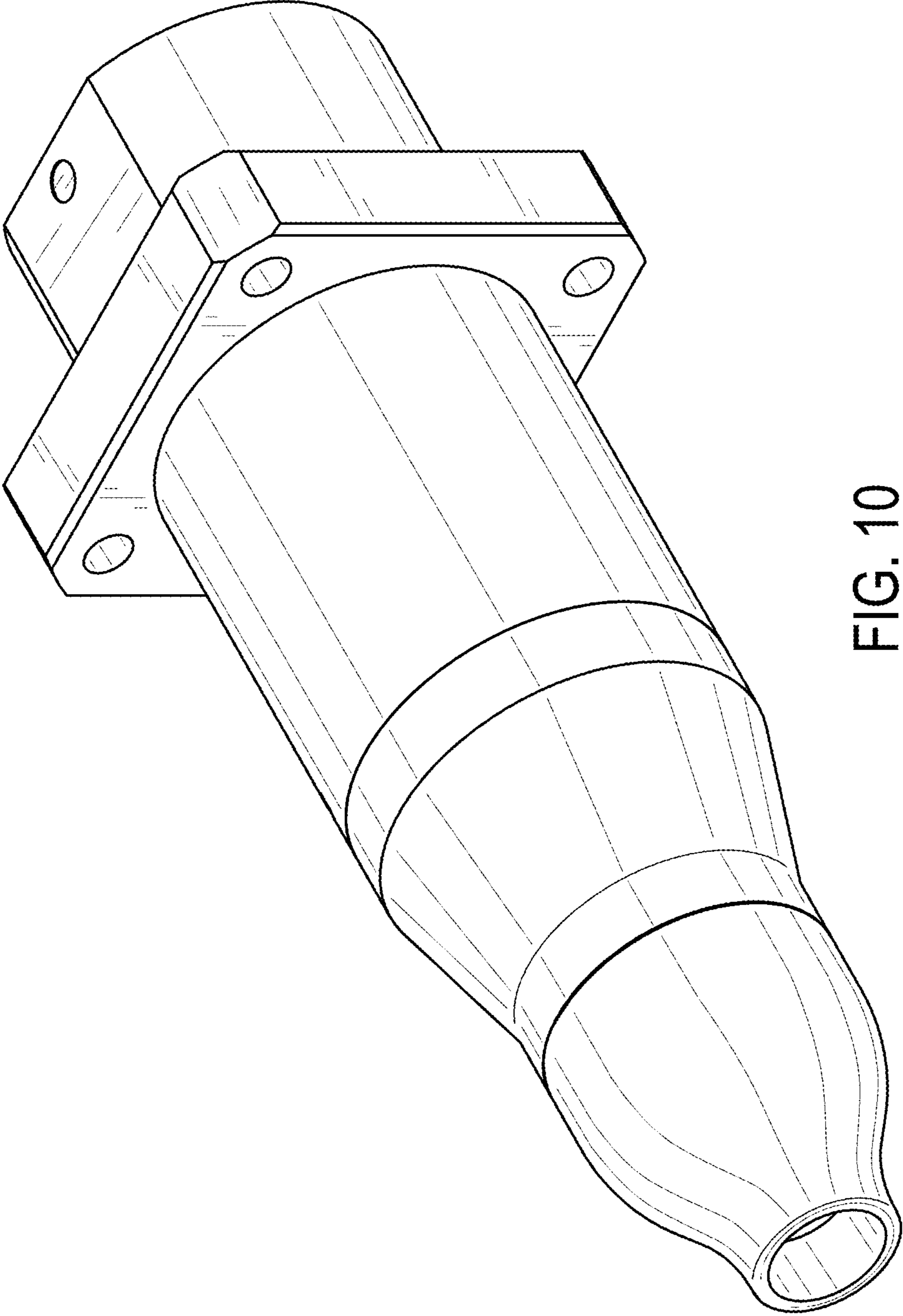


FIG. 10