



US00D777669S

(12) **United States Design Patent** (10) **Patent No.:** **US D777,669 S**
Taylor (45) **Date of Patent:** **** Jan. 31, 2017**

(54) **BATTERY MONITORING CLIP**
(71) Applicant: **Mark Taylor**, Sterling, VA (US)
(72) Inventor: **Mark Taylor**, Sterling, VA (US)
(**) Term: **14 Years**
(21) Appl. No.: **29/488,493**
(22) Filed: **Apr. 19, 2014**
(51) **LOC (10) Cl.** **13-02**
(52) **U.S. Cl.**
USPC **D13/119**
(58) **Field of Classification Search**
USPC D13/102-110, 118-119, 184, 199, 133,
D13/144; D14/251, 253, 432, 434, 356,
D14/155; 439/300, 620.01, 638, 668-669,
439/675, 825; 320/107-115
CPC Y02E 60/12; Y02E 60/10; Y02E 60/122;
Y02E 60/124; Y02E 60/50; Y02T 90/14;
Y02T 90/122; Y02T 90/128; Y02T
90/163; H02J 7/025; H02J 7/0042; H02J
7/0044; H02J 7/0045; H02J
7/0003; H01F 38/14; H01R
13/6675; H01R 4/28; H01R 4/48; H01R
4/4854; H01R 4/4863; H01R 4/4872;
H01R 4/50; H01M 2/1022; H01M
2/1055; H01M 10/44; H01M
10/46; H01M 10/425; B60L 11/182
See application file for complete search history.

(56) **References Cited**
U.S. PATENT DOCUMENTS
4,086,397 A * 4/1978 Goebel H01M 2/06
141/1.1
4,248,942 A 2/1981 Wilson
4,675,255 A 6/1987 Pfeifer
6,208,114 B1 3/2001 Jones
6,218,805 B1 4/2001 Melcher
D449,834 S * 10/2001 Chou D14/432

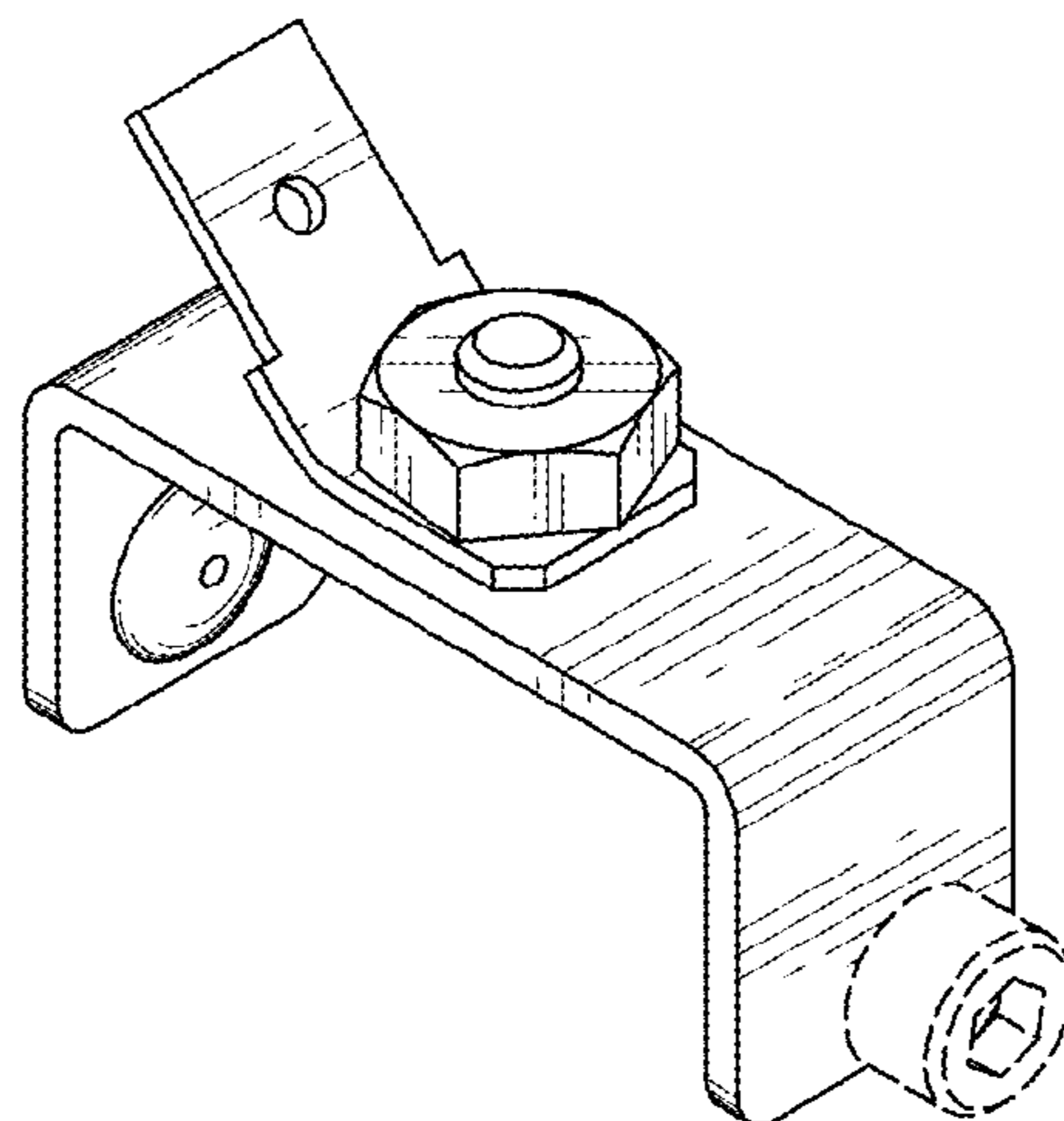
6,347,958 B1 2/2002 Tsai
6,351,099 B2 2/2002 Jones
6,544,078 B2 4/2003 Palmisano
6,551,147 B2 4/2003 Wakata
6,787,935 B2 9/2004 Heim
7,164,272 B1 1/2007 Borrego Bel
7,405,570 B2 7/2008 Hirthammer
7,573,274 B2 8/2009 Aratani
D634,273 S * 3/2011 Damon D13/120
D642,981 S * 8/2011 de Bruijn D13/120
D644,177 S * 8/2011 de Bruijn D13/120
D652,830 S * 1/2012 Nazar D12/417
8,142,237 B2 3/2012 Condamin
8,147,280 B2 4/2012 Roset
D660,249 S * 5/2012 Chen D13/154
8,242,772 B2 8/2012 Muis
8,305,034 B2 11/2012 Rubio
8,310,241 B2 11/2012 Schimmel
8,476,864 B2 7/2013 Ferre Fabregas
8,502,501 B2 8/2013 Nentwig
8,624,600 B2 1/2014 Teramoto
(Continued)

Primary Examiner — Rosemary K Tarcza
Assistant Examiner — Sanjeev Paul
(74) *Attorney, Agent, or Firm* — Attentive Law; Paul Ratcliffe

(57) **CLAIM**
The ornamental design for a battery monitoring clip, as shown and described.

DESCRIPTION
FIG. 1 is a perspective view of a battery monitoring clip of the present invention;
FIG. 2 is a front plan view thereof;
FIG. 3 is a back plan view thereof;
FIG. 4 is a right side elevational view thereof;
FIG. 5 is a top plan view thereof; and,
FIG. 6 is a bottom plan view thereof.
The dashed lines are included for the purpose of illustrating unclaimed portions of the battery monitoring clip and form no part of the claimed design.

1 Claim, 3 Drawing Sheets



(56)

References Cited

U.S. PATENT DOCUMENTS

D704,145	S	*	5/2014	Sasano	D13/154
D704,666	S	*	5/2014	Sasano	D13/154
D729,738	S	*	5/2015	Cole	D13/118
D744,958	S	*	12/2015	Chen	D13/154
2007/0279066	A1		12/2007	Chism		
2013/0200903	A1		8/2013	Labbe		
2015/0280200	A1	*	10/2015	Fauland	B23K 20/002 429/121

* cited by examiner

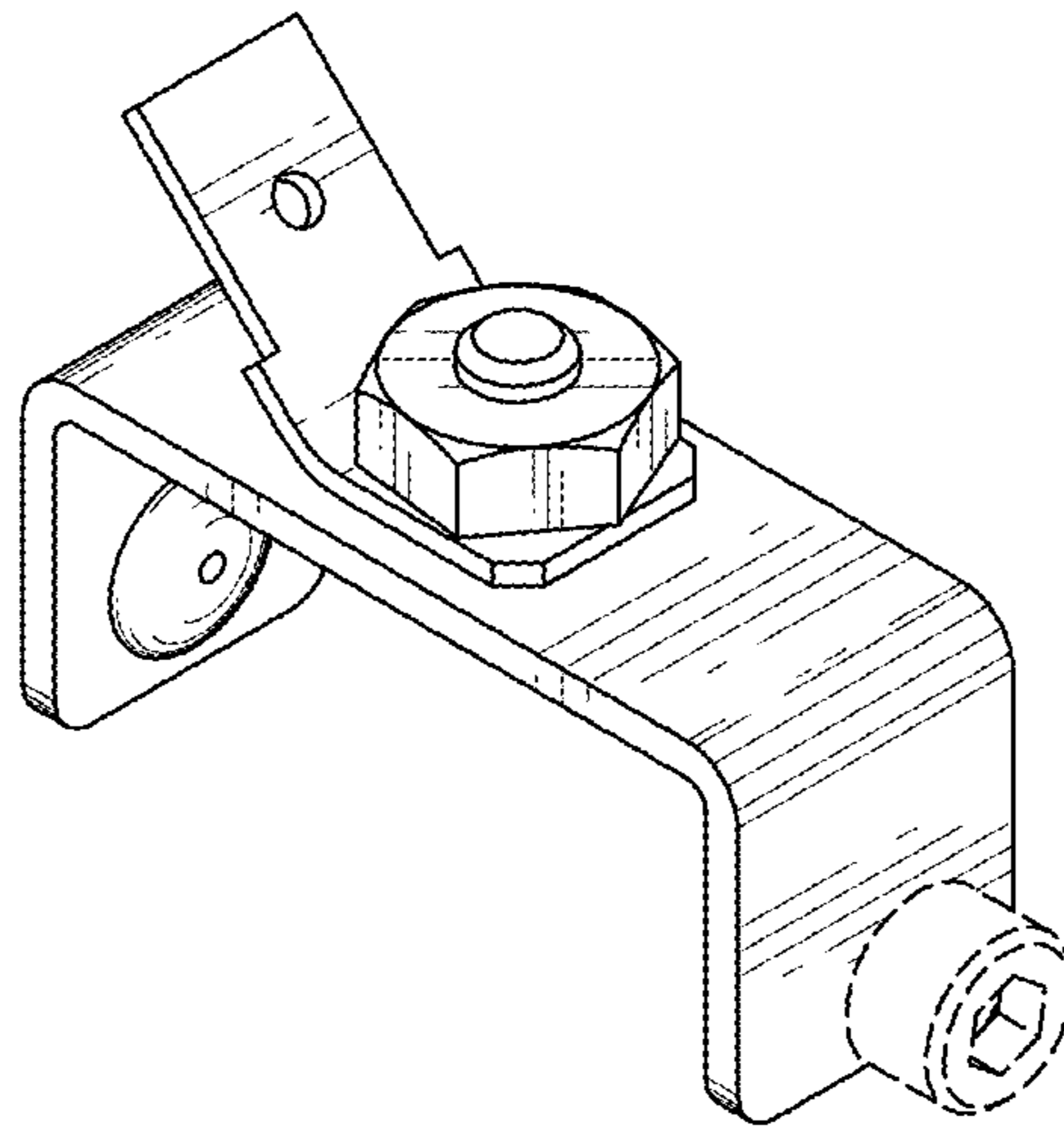


Fig. 1

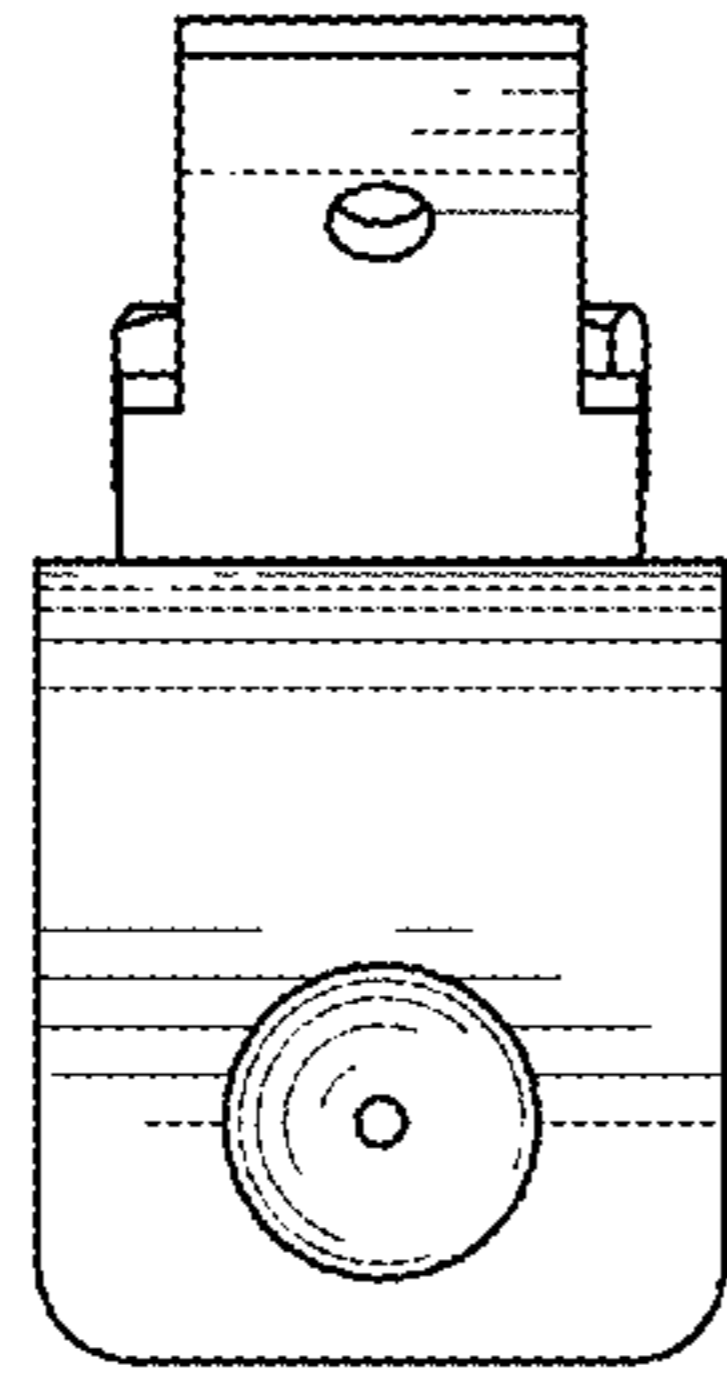


Fig. 2

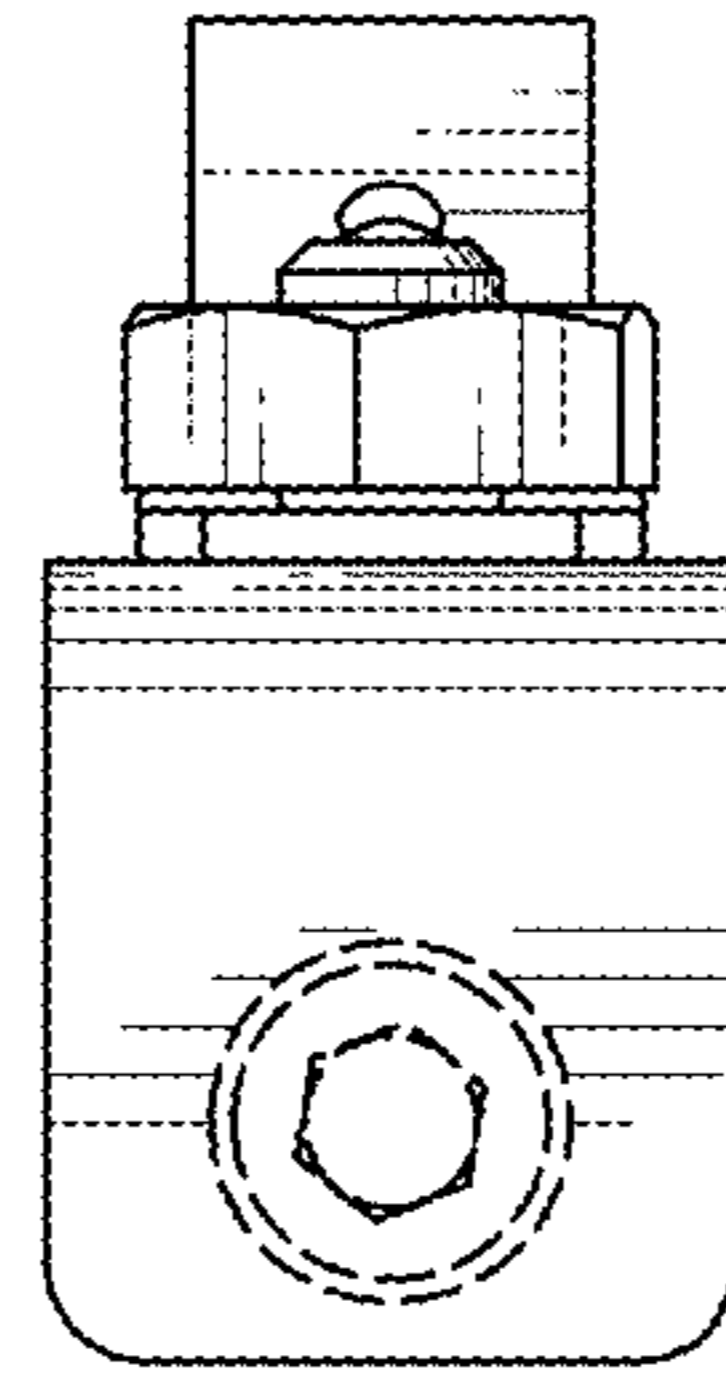


Fig. 3

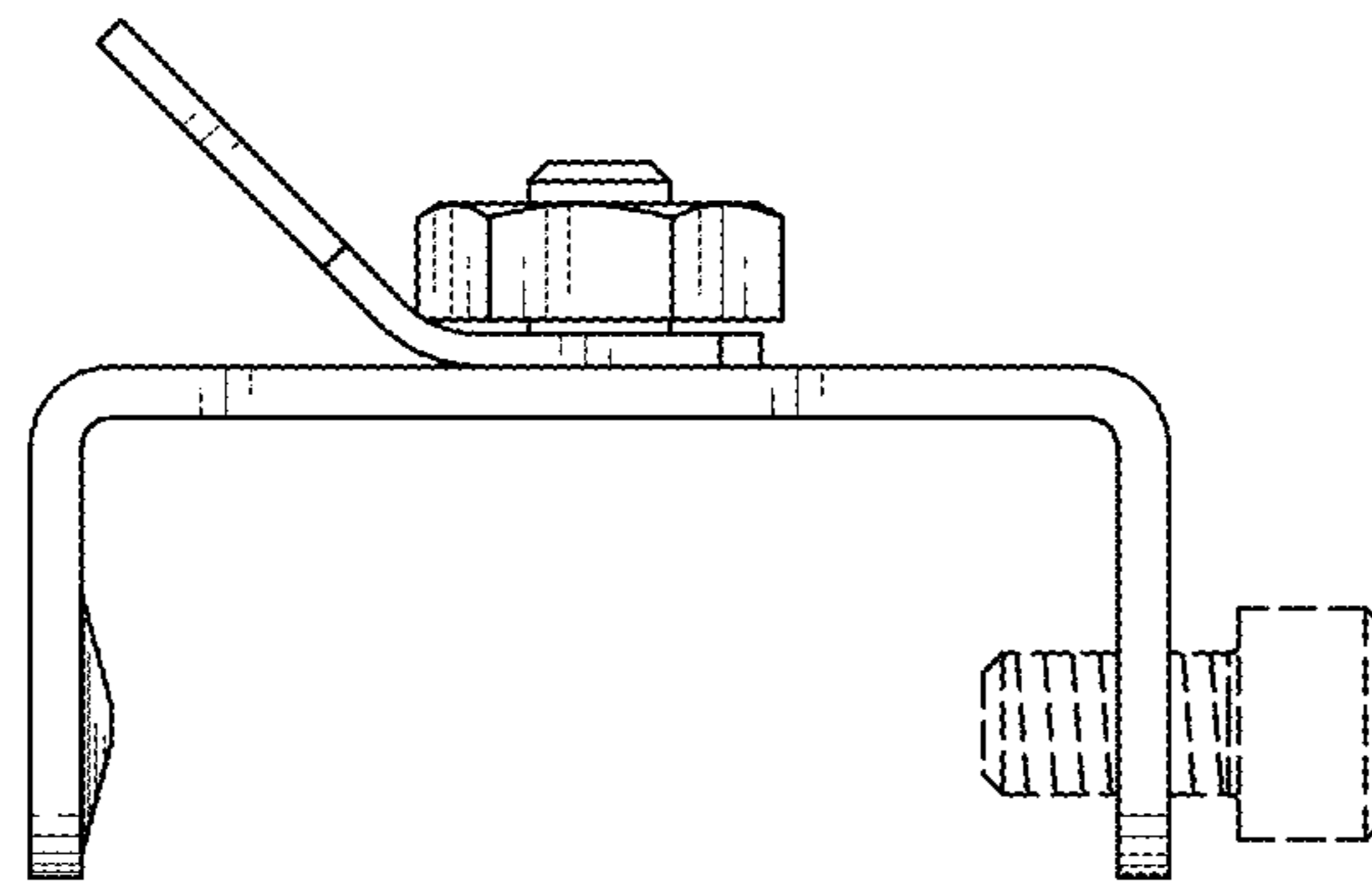


Fig. 4

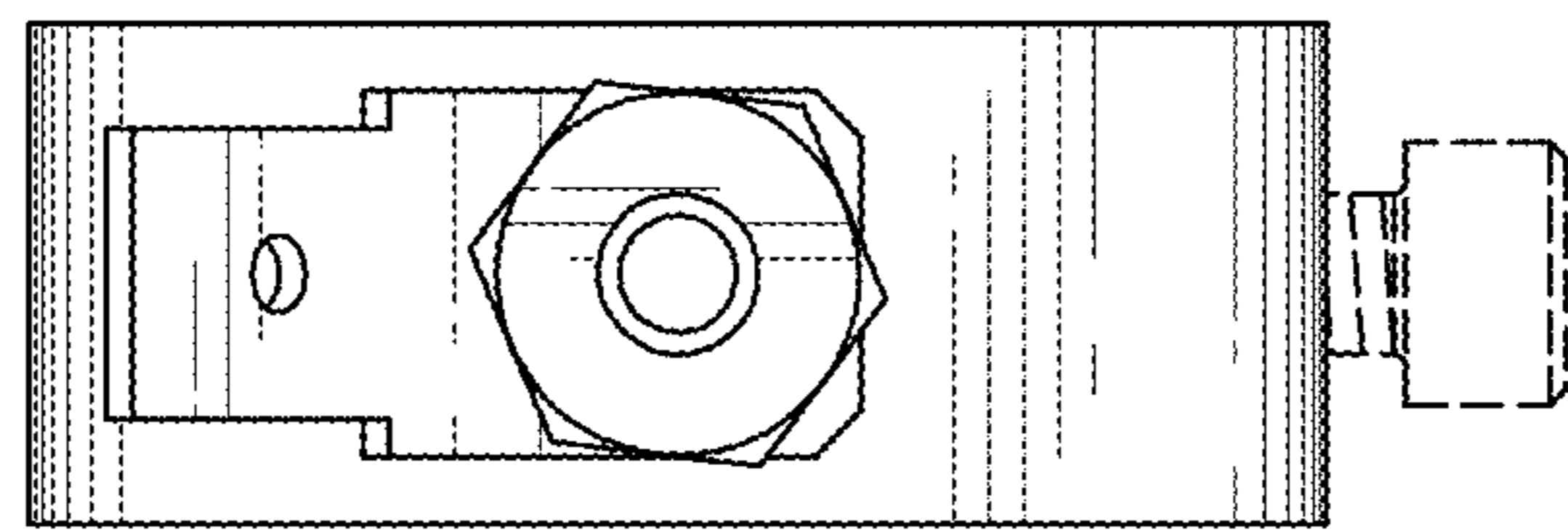


Fig. 5

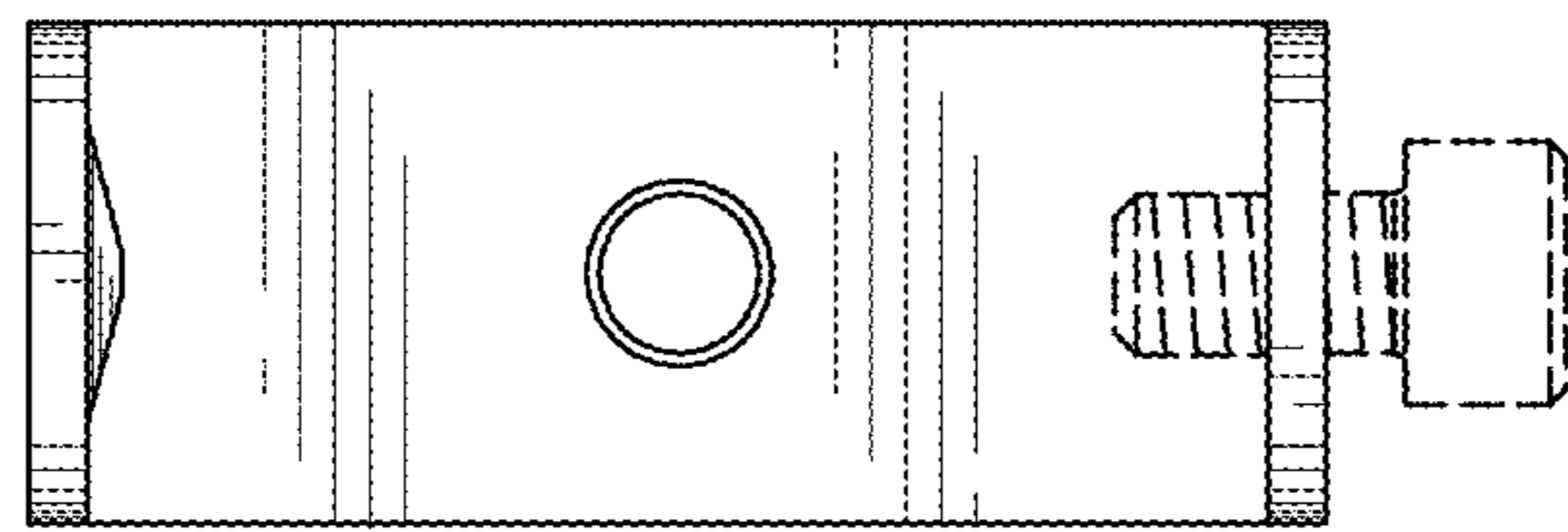


Fig. 6