



US00D777668S

(12) **United States Design Patent**  
**Lin**

(10) **Patent No.:** **US D777,668 S**  
(45) **Date of Patent:** **\*\* Jan. 31, 2017**

(54) **GENERATOR FOR OXYHYDROGEN GAS**

(71) Applicant: **Hsin-Yung Lin**, Shanghai (CN)

(72) Inventor: **Hsin-Yung Lin**, Shanghai (CN)

(\*\*) Term: **15 Years**

(21) Appl. No.: **29/536,573**

(22) Filed: **Aug. 18, 2015**

(30) **Foreign Application Priority Data**

Mar. 9, 2015 (TW) ..... 104301199

(51) **LOC (10) Cl.** ..... **13-01**

(52) **U.S. Cl.**  
USPC ..... **D13/112**

(58) **Field of Classification Search**  
USPC ..... 123/2, 3; 290/1 A, 1 B, 1 R; 310/89;  
322/100; 361/730, 836; D13/101, 110,  
112, D13/113, 114, 115, 116, 118, 122  
CPC ..... F02B 63/04; F02D 19/066; F24H 9/02  
See application file for complete search history.

(56) **References Cited**

**U.S. PATENT DOCUMENTS**

4,729,353 A \* 3/1988 Streng ..... F02B 63/04  
123/195 A  
D490,374 S \* 5/2004 Amakawa ..... D13/112

D507,546 S \* 7/2005 Fairfull ..... D13/184  
D588,062 S \* 3/2009 Bao ..... D13/122  
D646,634 S \* 10/2011 Kipka ..... D13/114  
D696,196 S \* 12/2013 Plato ..... D13/112  
2004/0197608 A1 \* 10/2004 Fuglevand ..... H01M 8/0247  
429/9

\* cited by examiner

*Primary Examiner* — Derrick Holland

(74) *Attorney, Agent, or Firm* — Foster Pepper PLLC;  
Richard A. Koske

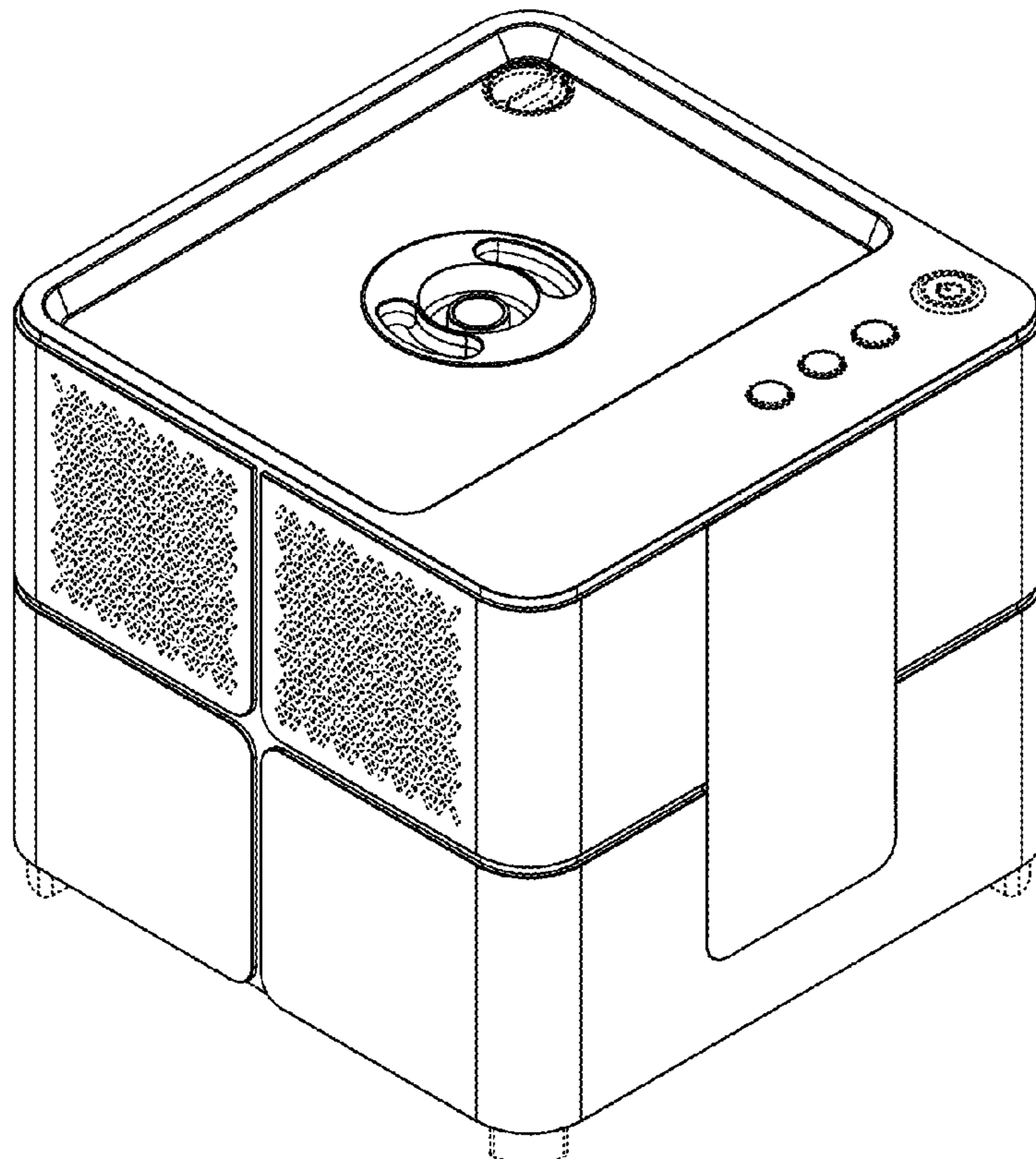
(57) **CLAIM**

The ornamental design for a generator for oxyhydrogen gas,  
as shown and described.

**DESCRIPTION**

FIG. 1 is a perspective view of a generator for oxyhydrogen gas according to the invention;  
FIG. 2 is another perspective view thereof;  
FIG. 3 is a front view thereof;  
FIG. 4 is a rear view thereof;  
FIG. 5 is a left side view thereof;  
FIG. 6 is a right side view thereof;  
FIG. 7 is a top view thereof; and,  
FIG. 8 is a bottom view thereof.  
The broken dotted lines represent unclaimed subject matter and form no part of the claimed design.

**1 Claim, 8 Drawing Sheets**



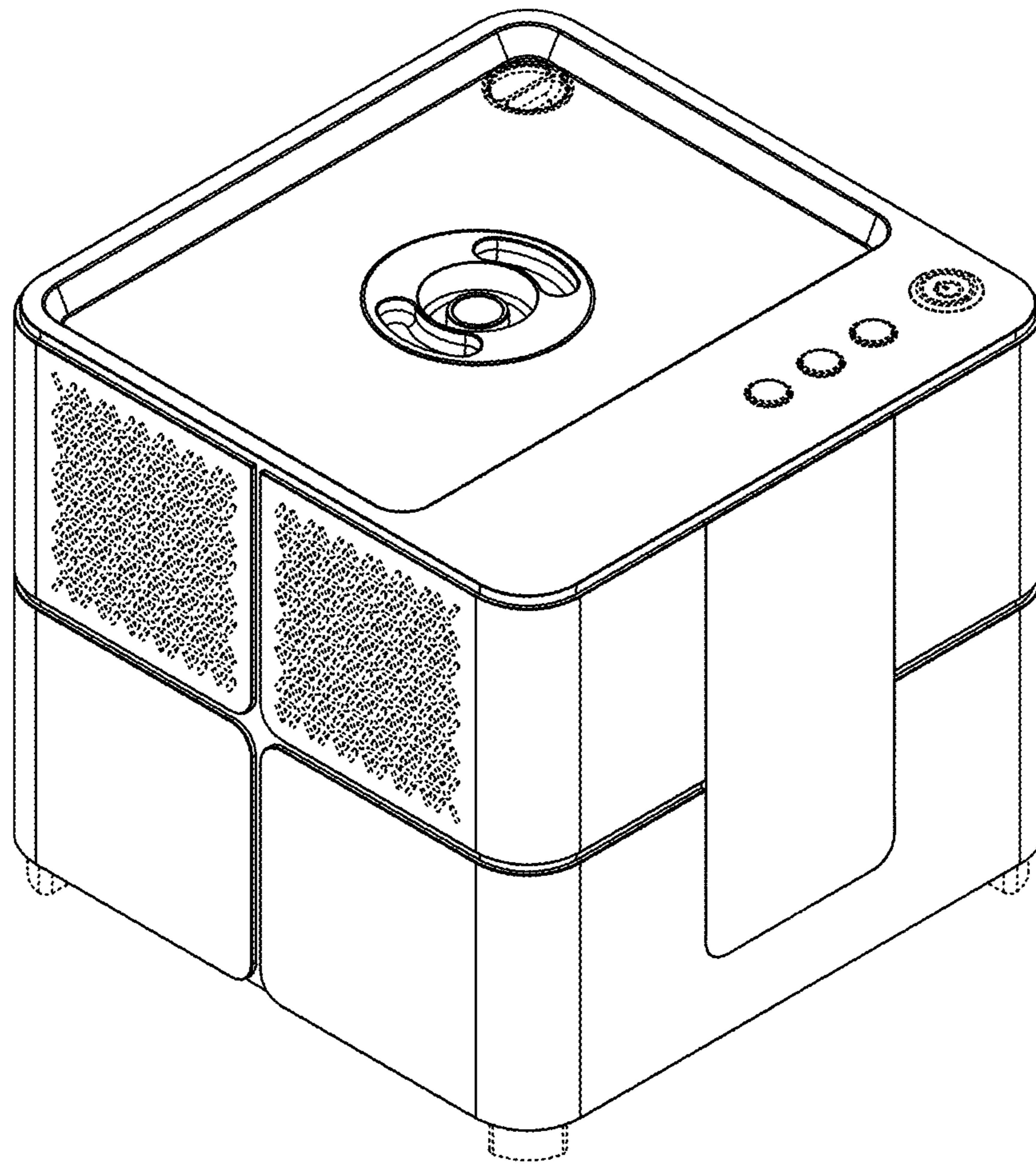


FIG. 1

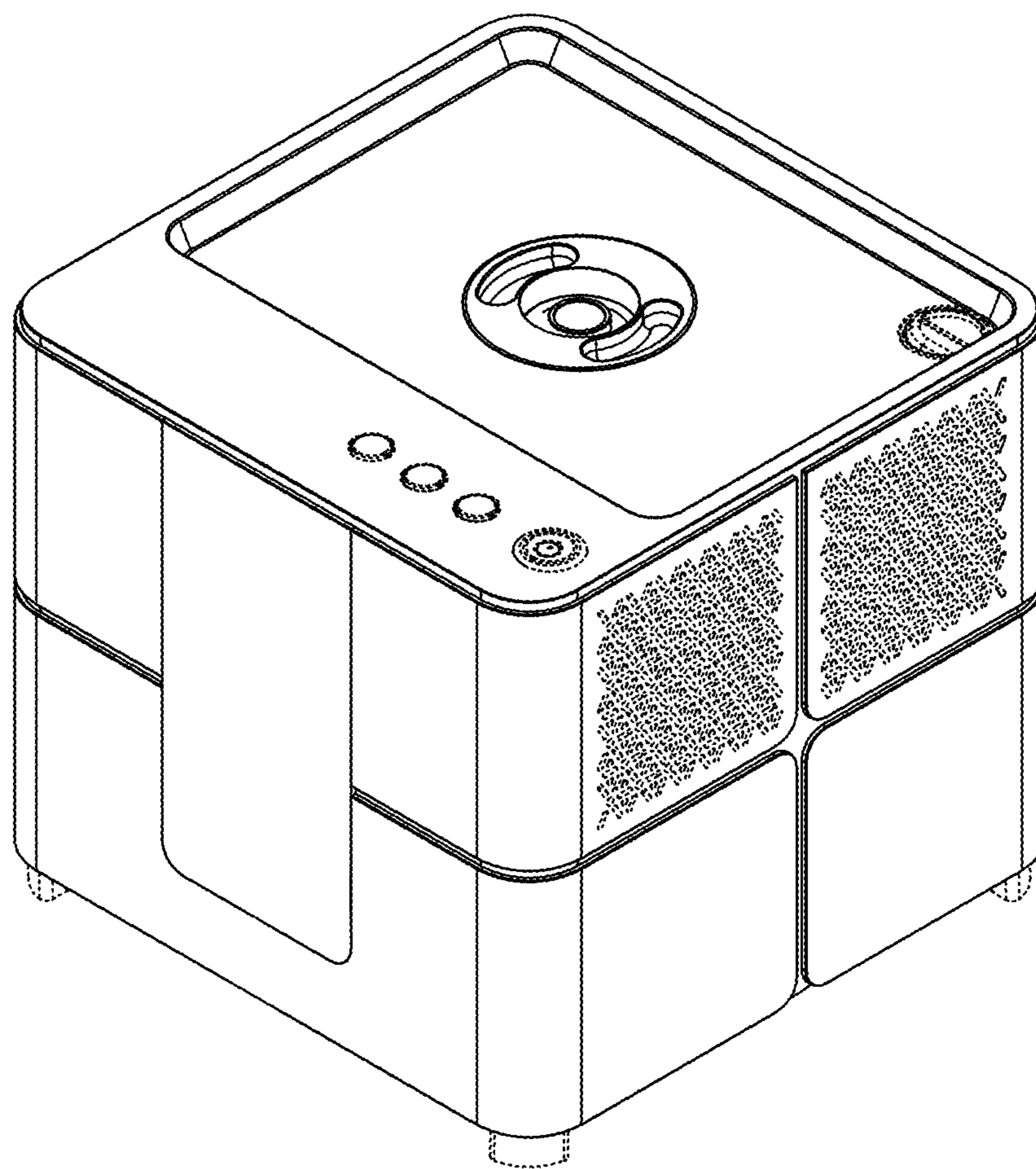


FIG. 2

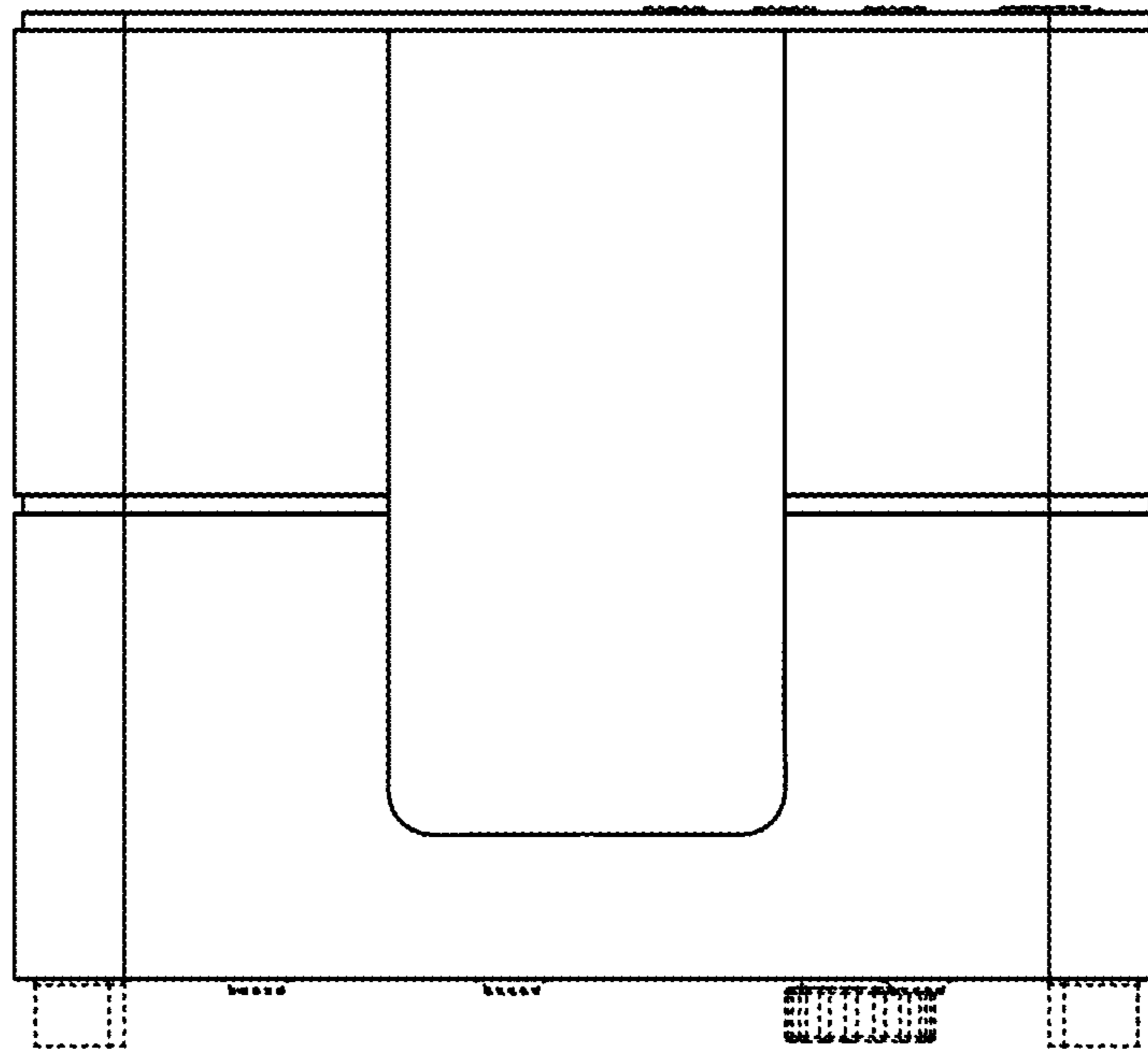


FIG. 3

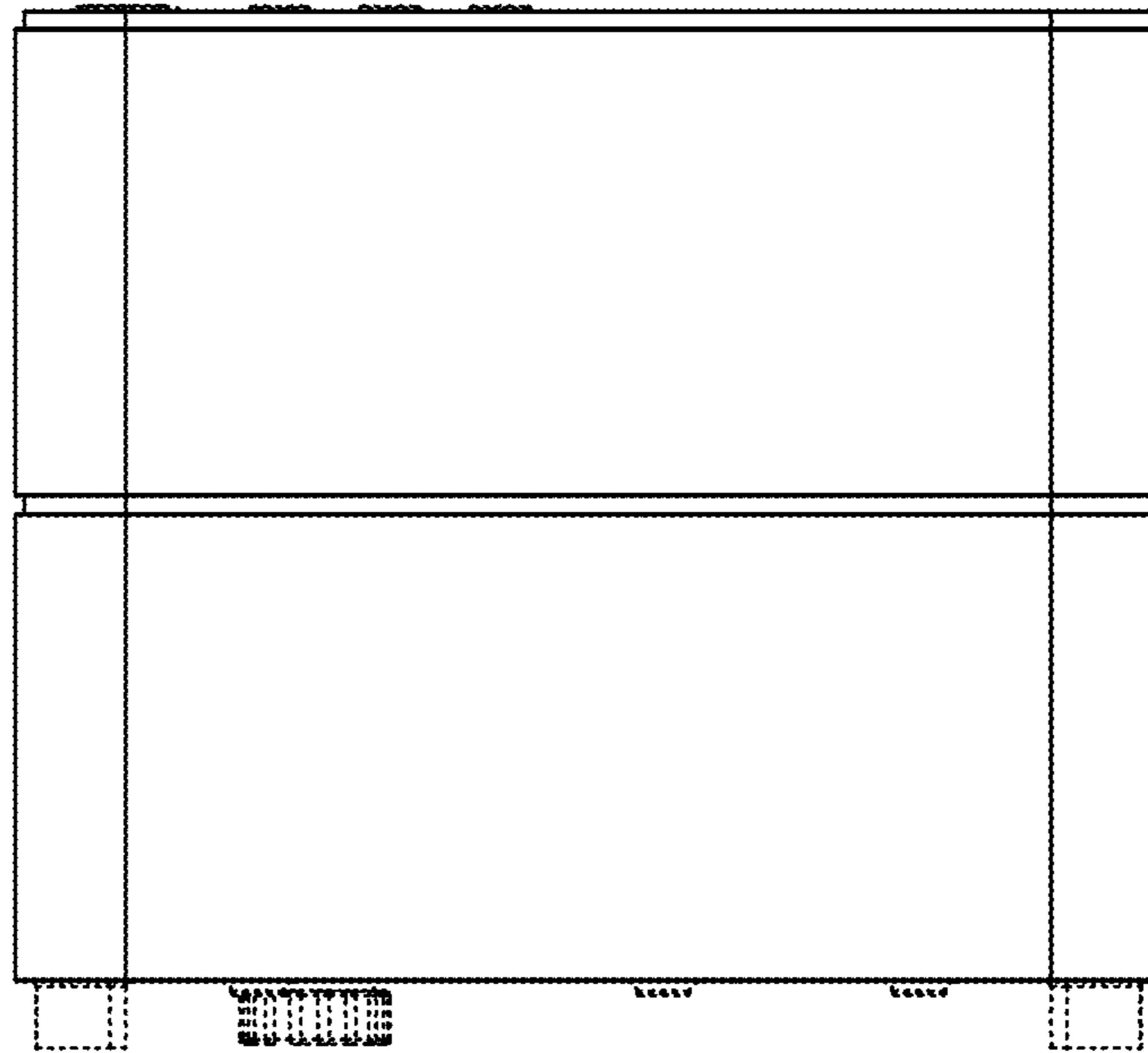


FIG. 4

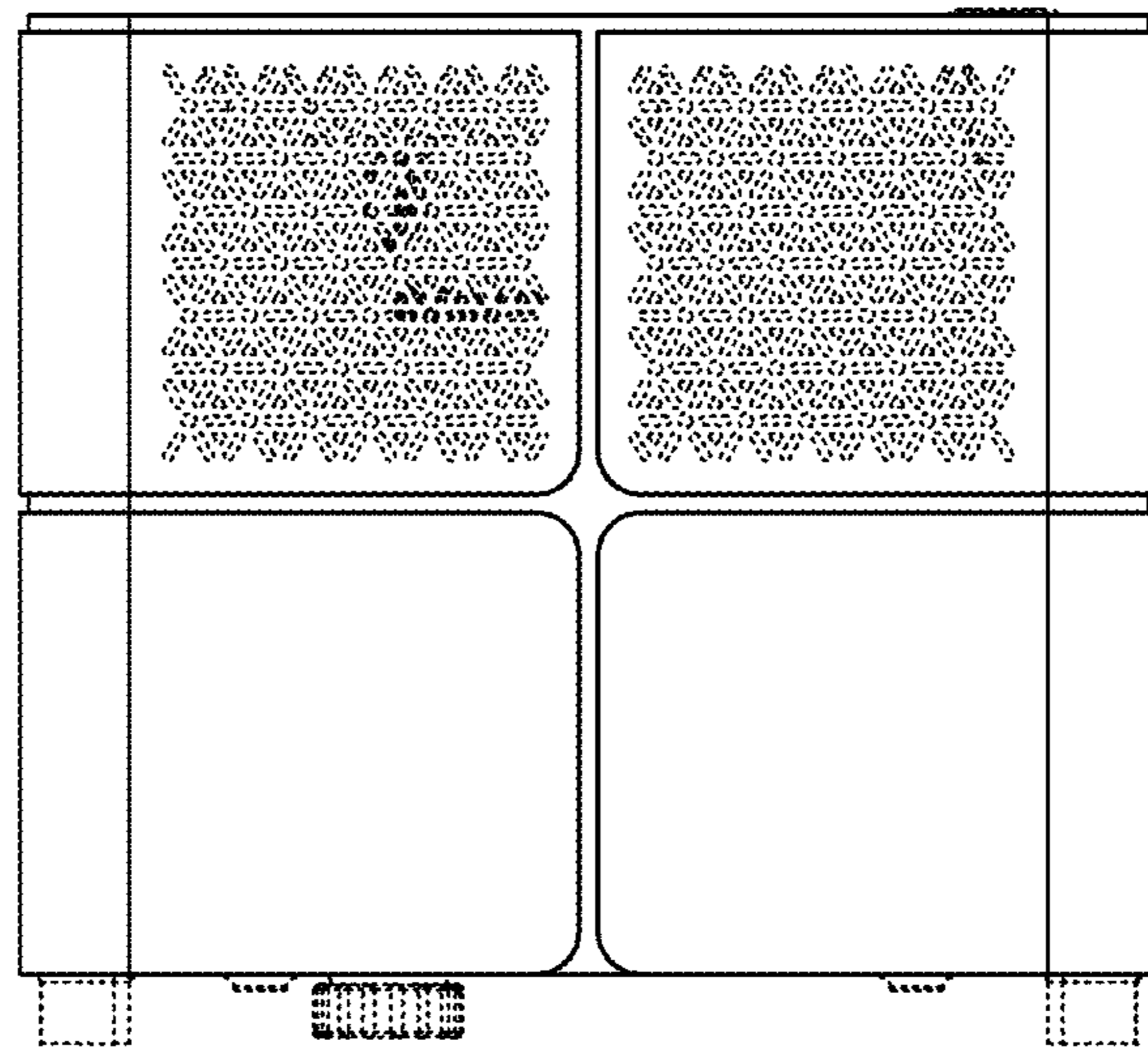


FIG. 5

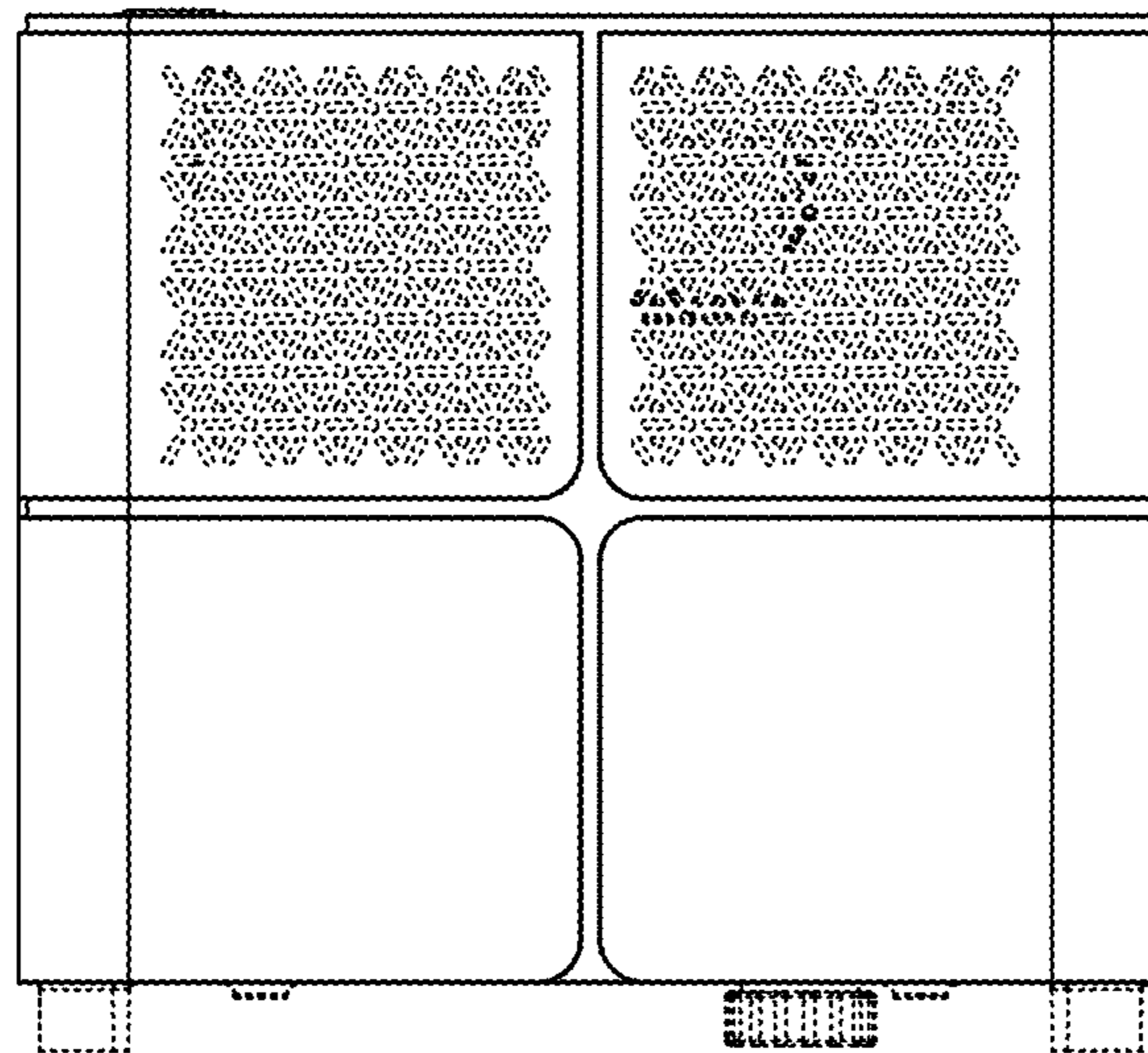


FIG. 6

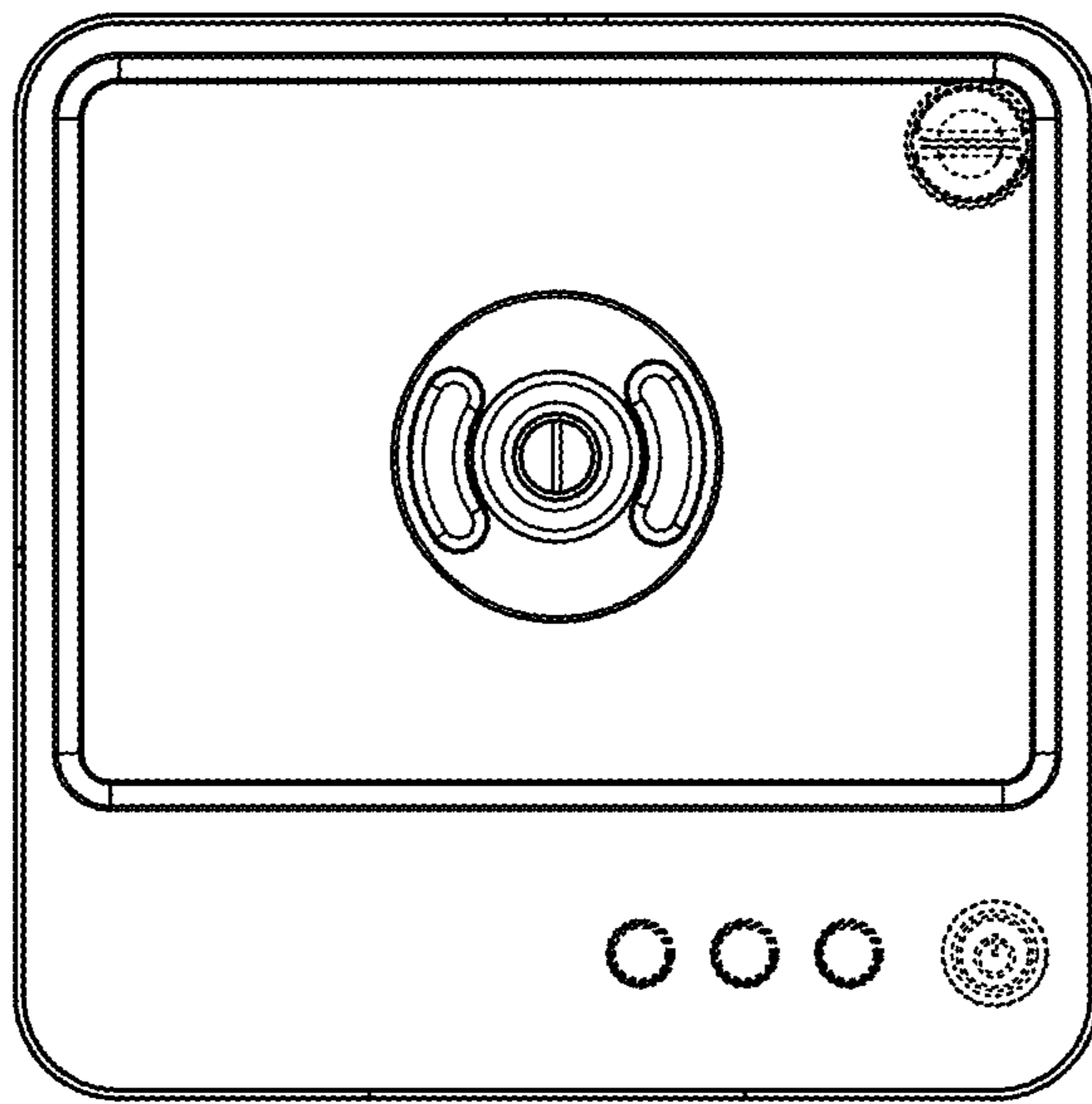


FIG. 7



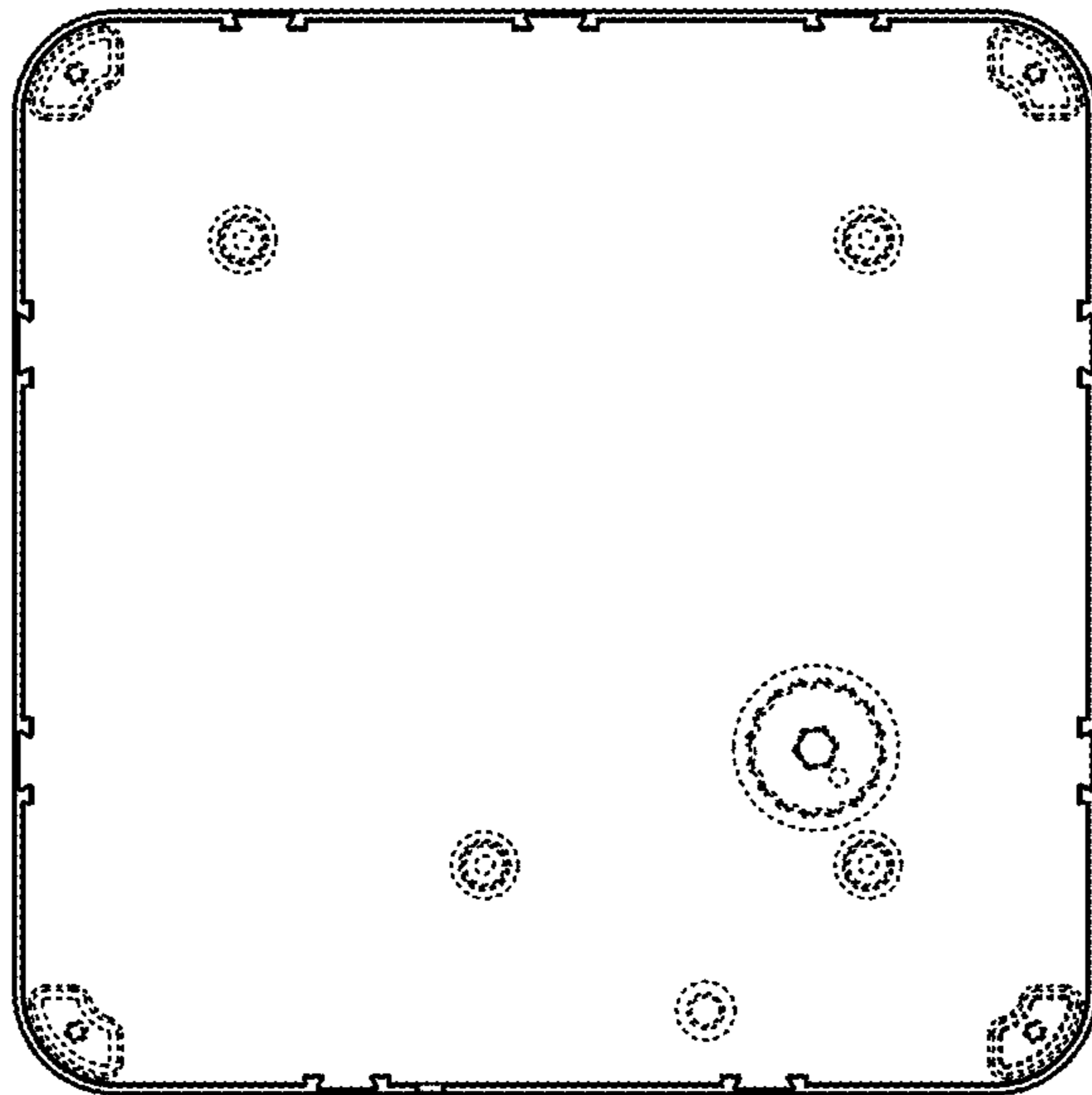


FIG. 8