



US00D777667S

(12) **United States Design Patent** (10) **Patent No.:** **US D777,667 S**
Cedar et al. (45) **Date of Patent:** **** Jan. 31, 2017**

(54) **PORTABLE COMBUSTION DEVICE
UTILIZING THERMOELECTRICAL
GENERATION**

3,868,943 A 3/1975 Hottenroth et al.
4,069,806 A * 1/1978 Landry 126/9 R
4,545,360 A 10/1985 Smith et al.
4,616,627 A 10/1986 Haygood

(Continued)

(71) Applicant: **BioLite LLC**, Brooklyn, NY (US)

(72) Inventors: **Jonathan N. Cedar**, Brooklyn, NY (US); **Alexander H. Drummond**, Austin, TX (US); **Monte MacDiarmid**, Brooklyn, NY (US); **Olev Tammer**, New York, NY (US); **Timothy M. Connelly**, Brooklyn, NY (US); **Kurtis Shultz**, Bellingham, WA (US); **Clay Burns**, New York, NY (US)

FOREIGN PATENT DOCUMENTS

JP 2004156811 A 6/2004
WO 2006103613 A2 10/2006

OTHER PUBLICATIONS

Lertsatitthanakorn, "Study on the Electrical Performance of Combining Biomass-Fried Cookstove Thermoelectric (Bite) Generator", "Journal of Research in Engineering and Technology", Apr. 1, 2004, pp. 110-116, vol. 1, No. 2, Publisher: Kasetsart University, Published in: Thailand.

(Continued)

(73) Assignee: **BioLite LLC**, Brooklyn, NY (US)

(**) Term: **14 Years**

Primary Examiner — Derrick Holland
Assistant Examiner — Jennifer O King
(74) *Attorney, Agent, or Firm* — Loginov & Associates, PLLC; William A. Loginov

(21) Appl. No.: **29/479,889**

(22) Filed: **Jan. 21, 2014**

(51) **LOC (10) Cl.** **13-01**

(52) **U.S. Cl.**

USPC **D13/112**

(58) **Field of Classification Search**

USPC D13/107, 112, 114, 115, 116, 122, 145,
D13/158, 177; 126/9 R, 301, 307 R, 59;
D7/332, 337, 348, 350.1; D23/332, 343,
D23/348

CPC F23M 2900/13003; F24B 13/00;
F24B 5/026; Y02B 40/163; Y02B 40/166

See application file for complete search history.

(57) **CLAIM**

The ornamental design for a portable combustion device utilizing thermoelectrical generation, as shown and described.

DESCRIPTION

FIG. 1 is a perspective view of a portable combustion device utilizing thermoelectrical generation;
FIG. 2 is a front view thereof;
FIG. 3 is a rear view thereof;
FIG. 4 is a right side view thereof;
FIG. 5 is a left side view thereof;
FIG. 6 is a top view thereof; and,
FIG. 7 is a bottom view thereof.

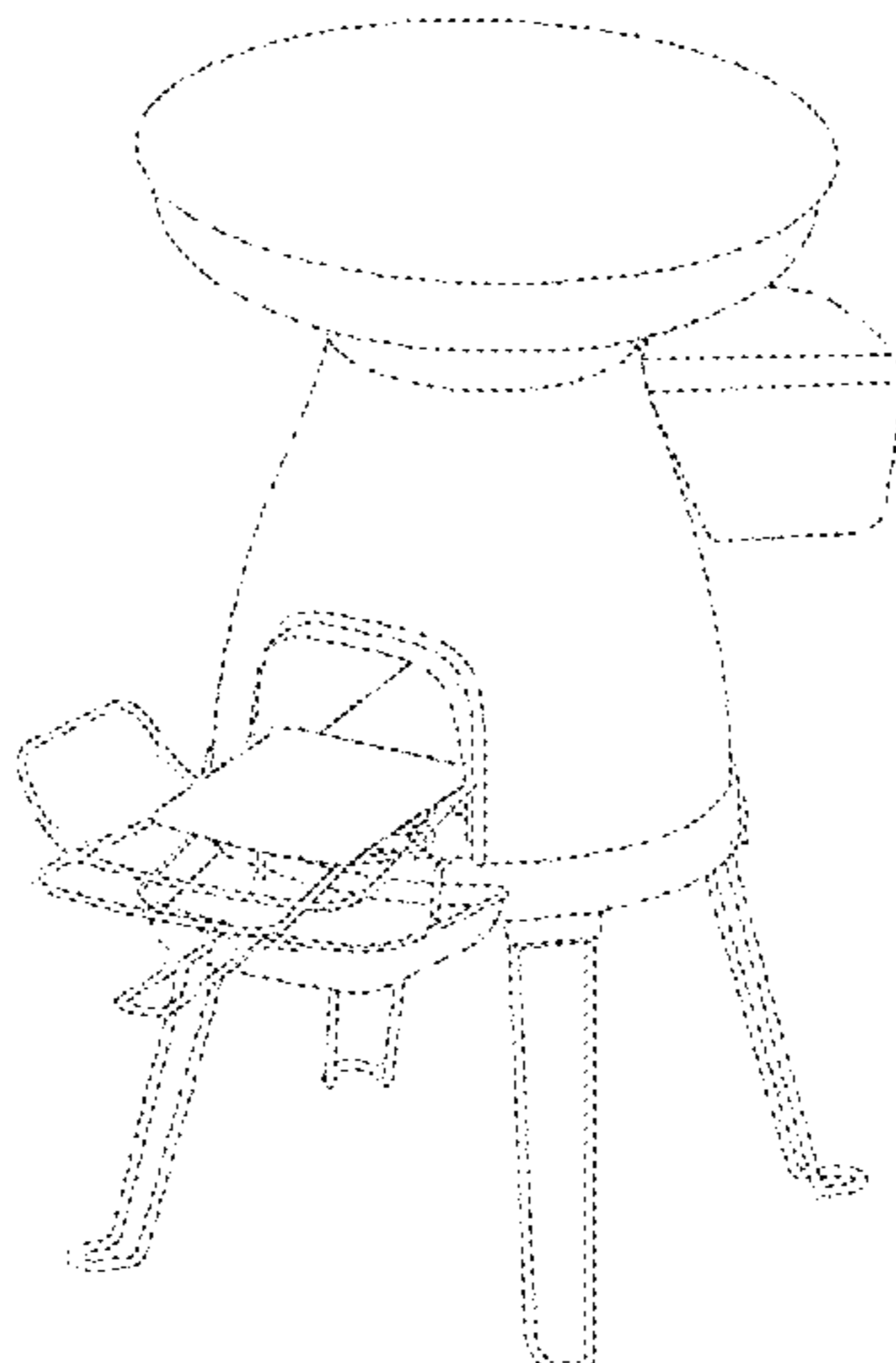
The broken lines shown represent unclaimed subject matter and form no part of the claimed design.

(56) **References Cited**

U.S. PATENT DOCUMENTS

RE296 E * 2/1855 Mott 126/345
48,302 A * 6/1865 Murdock 126/345
98,988 A * 1/1870 Merrill 126/345
476,247 A * 6/1892 Cascaden, Jr. 126/345
1,464,271 A * 8/1923 Rotstein et al. 126/273 R
2,519,241 A 8/1950 Findley
3,279,452 A 10/1966 Hottenroth et al.

1 Claim, 5 Drawing Sheets



(56)

References Cited

U.S. PATENT DOCUMENTS

4,773,847 A 9/1988 Shukla et al.
 5,024,208 A 6/1991 Hottenroth et al.
 5,168,860 A 12/1992 Kibourian
 5,516,381 A 5/1996 Kawai et al.
 6,019,098 A 2/2000 Bass et al.
 6,095,767 A 8/2000 Caughey
 6,588,419 B1 7/2003 Buezis et al.
 6,611,117 B1 8/2003 Hardt
 7,168,363 B1 1/2007 Brown
 D580,852 S * 11/2008 Heinzen et al. D13/103
 8,028,690 B1 * 10/2011 Lohaus 126/519
 D682,006 S * 5/2013 Merkurieff D7/332
 D701,721 S * 4/2014 Jan D7/332
 D709,176 S * 7/2014 Dalsin et al. D23/420
 2001/0035175 A1 * 11/2001 Lautner 126/9 R
 2005/0037303 A1 2/2005 Bachinski et al.
 2006/0102162 A1 * 5/2006 Chiang 126/25 R
 2007/0221205 A1 9/2007 Landon
 2009/0025730 A1 1/2009 Pinel

2009/0165769 A1 7/2009 Van Der Sluis
 2010/0083946 A1 4/2010 Cedar et al.
 2010/0163017 A1 * 7/2010 Shepherd 126/9 R
 2010/0258104 A1 * 10/2010 DeFoort et al. 126/15 R
 2012/0060819 A1 3/2012 Hunt et al.
 2013/0112187 A1 * 5/2013 Cedar et al. 126/15 A
 2014/0138457 A1 * 5/2014 Adler 239/23
 2014/0261394 A1 * 9/2014 Evans et al. 126/9 B
 2015/0083108 A1 * 3/2015 DeFoort et al. 126/25 R

OTHER PUBLICATIONS

Juanico, et al., "Comparative Analysis of Photovoltaic and Thermoelectric Panels for Powering Isolated Homes", "Journal of Renewable and Sustainable Energy", , No. 1-6, Publisher: American Institute of Physics, Published in: Argentina.
 Mastbergen, "Development and Optimization of a Stove-Powered Thermoelectric Generator", , Publisher: Colorado State University, Published in: US.

* cited by examiner

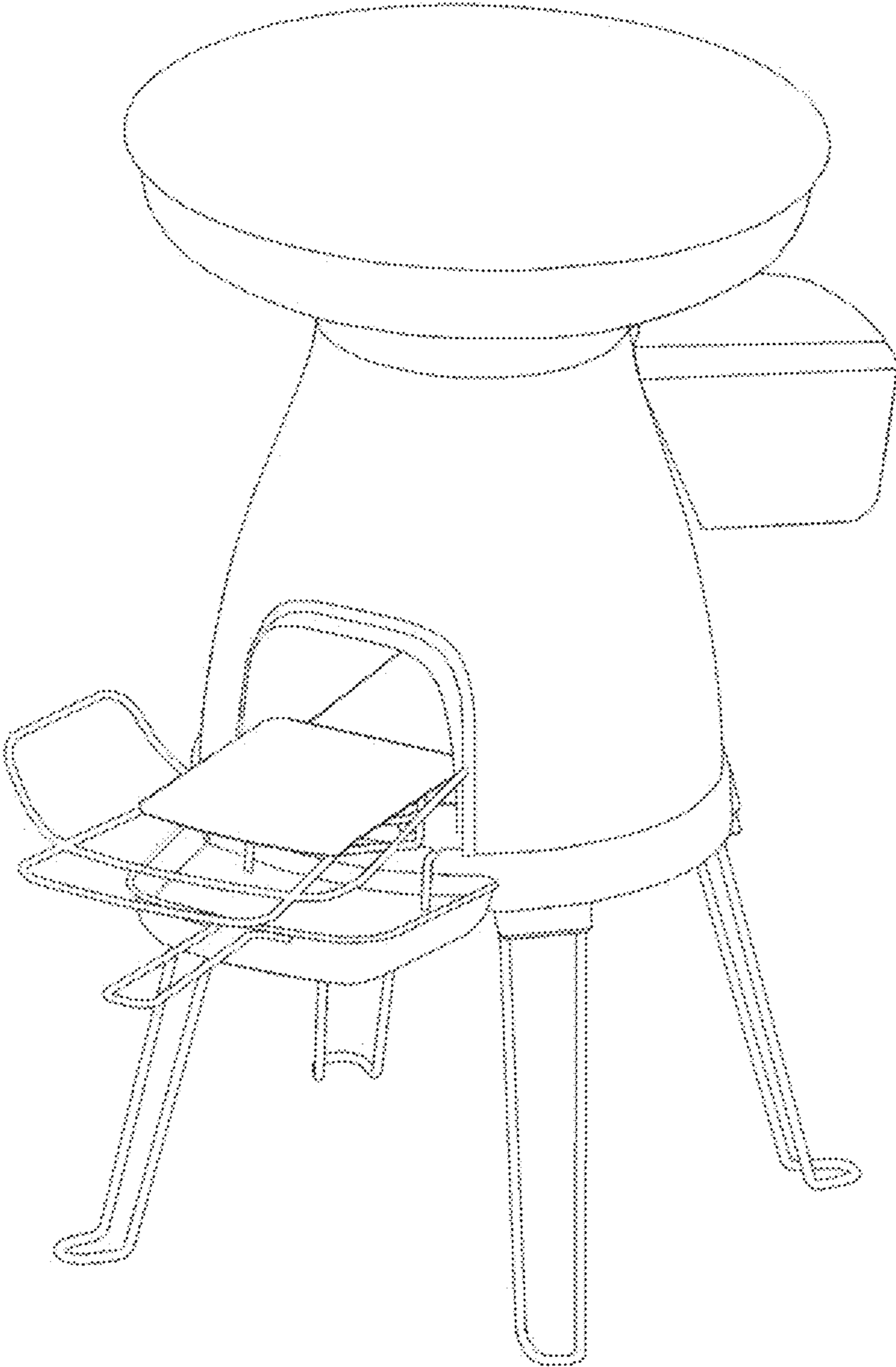


Fig. 1

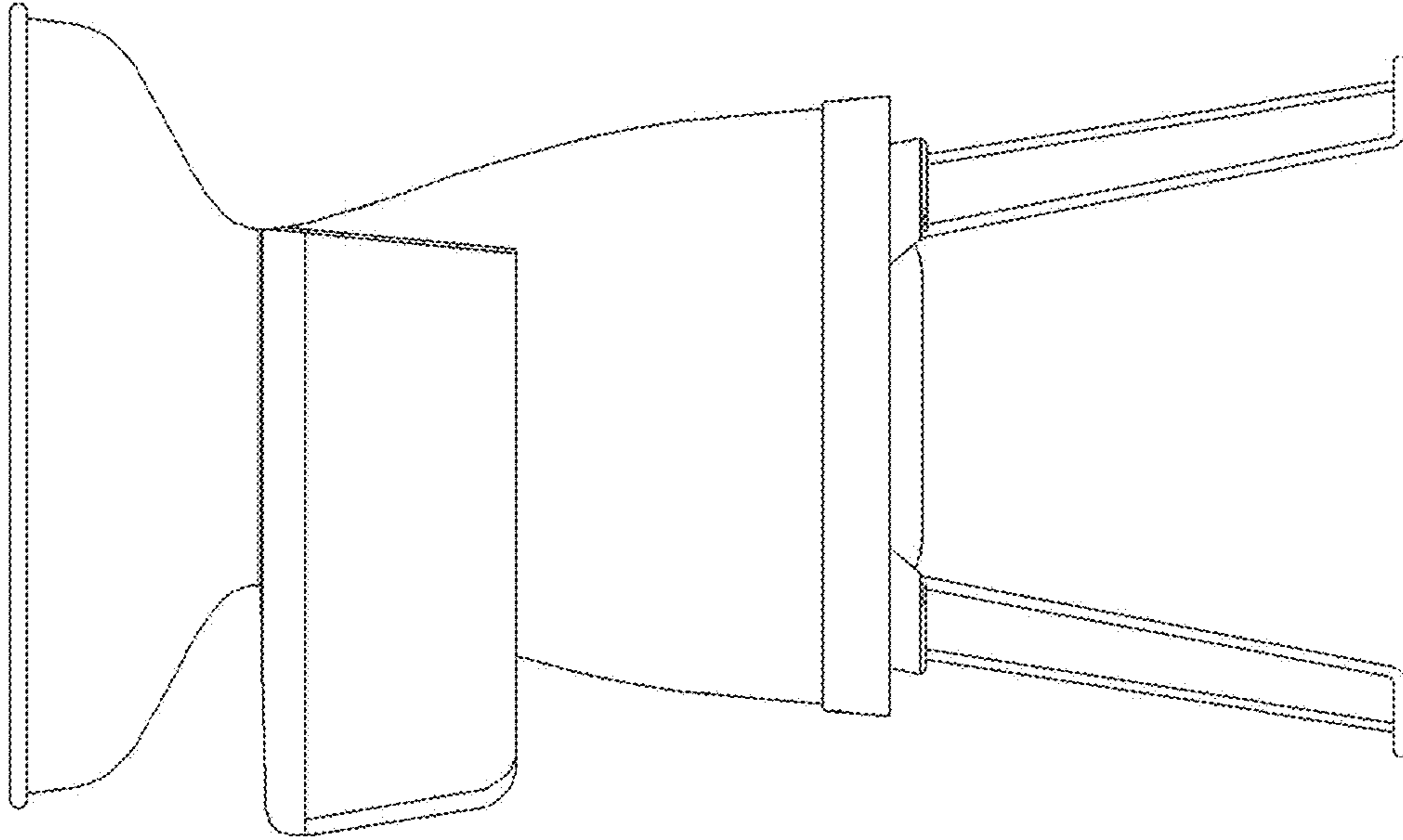


Fig. 3

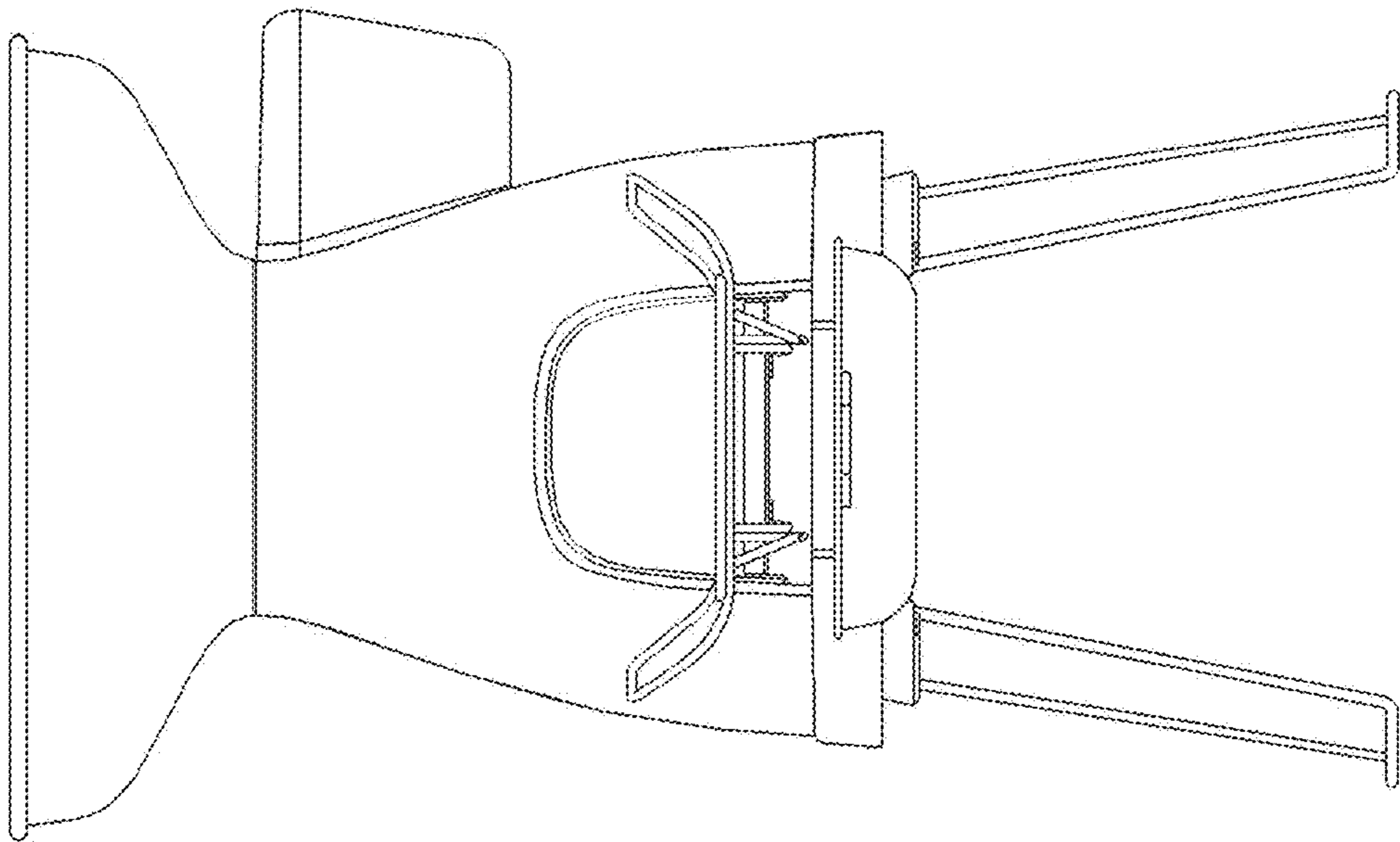


Fig. 2

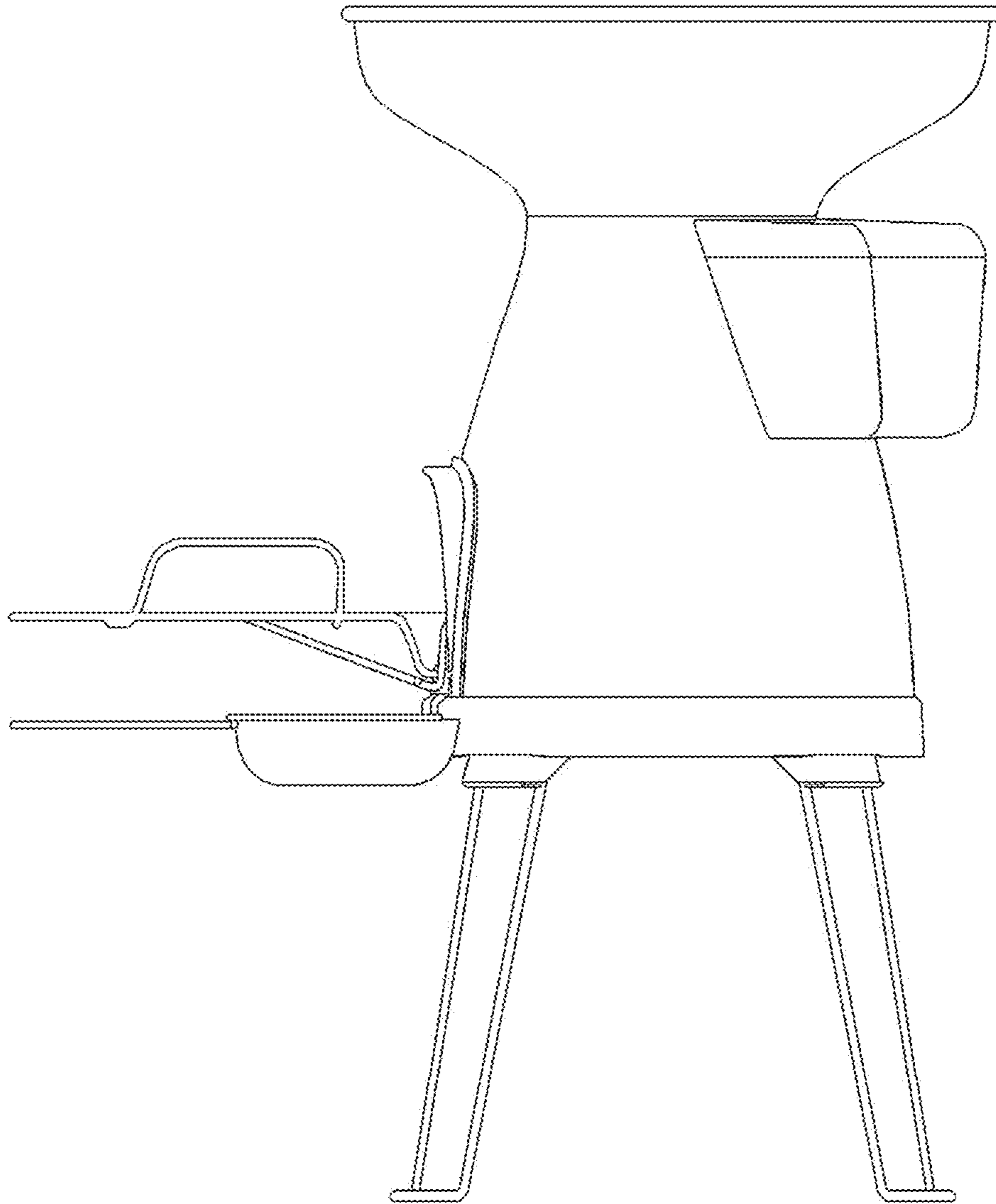


Fig. 4

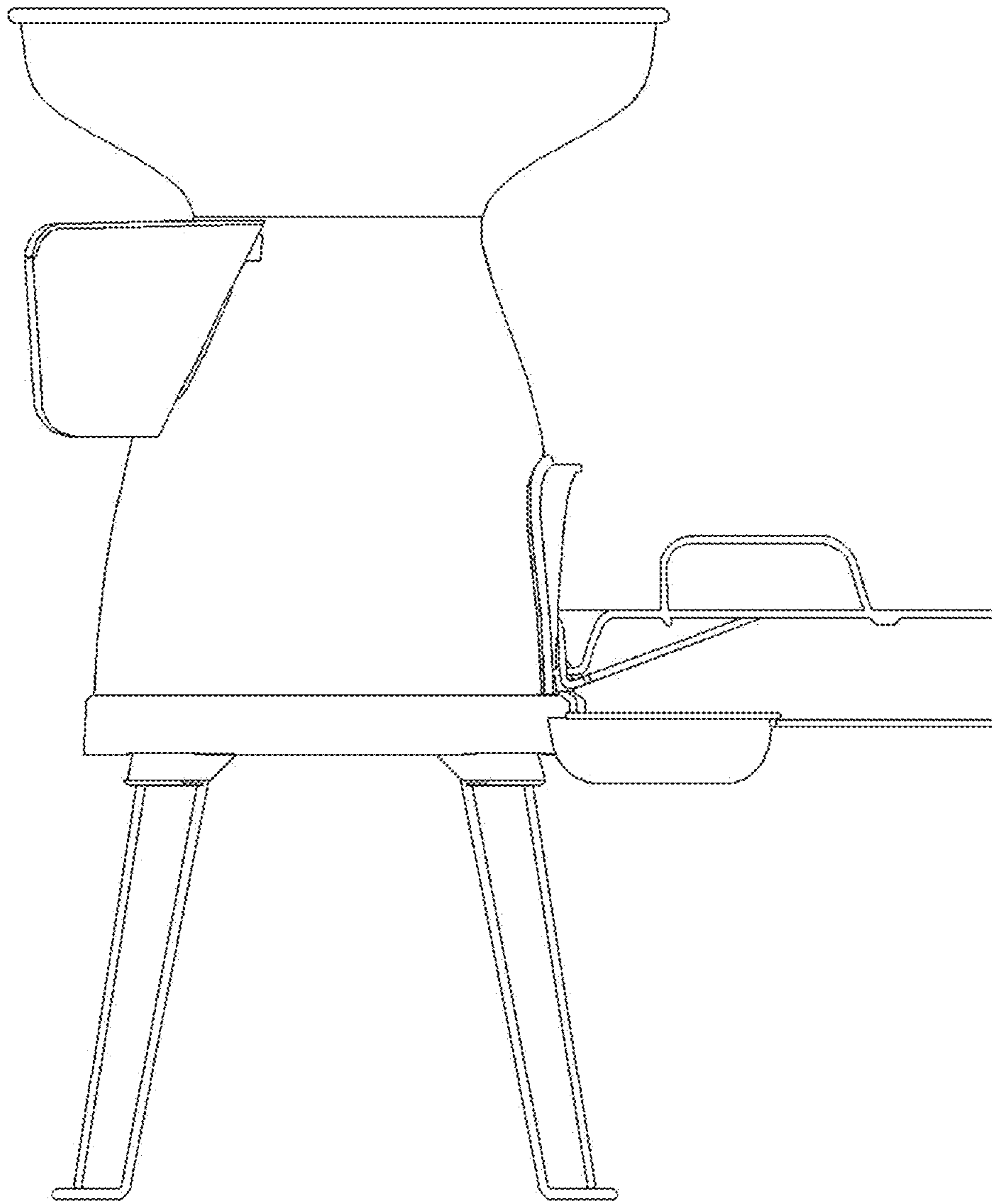


Fig. 5

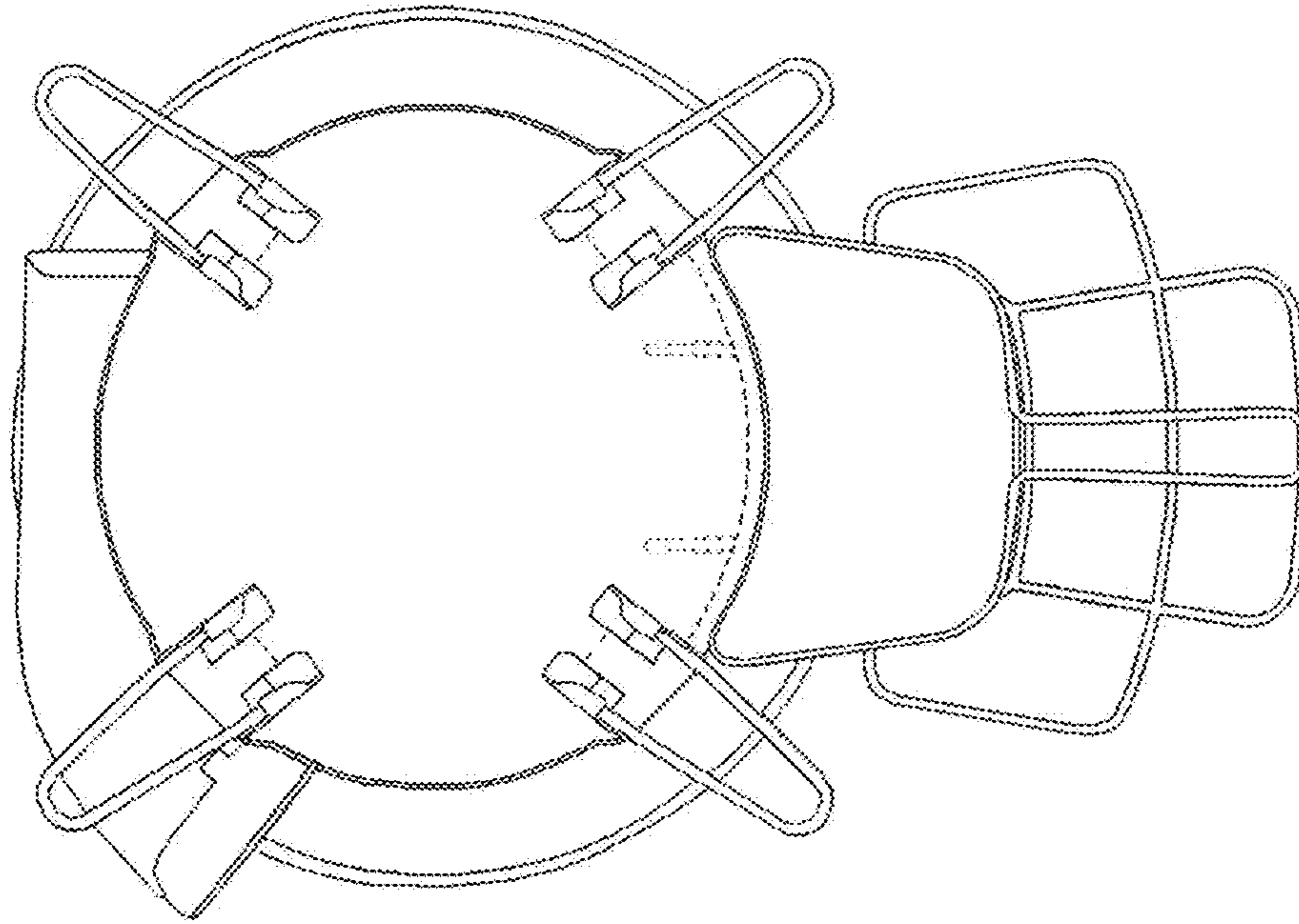


Fig. 6

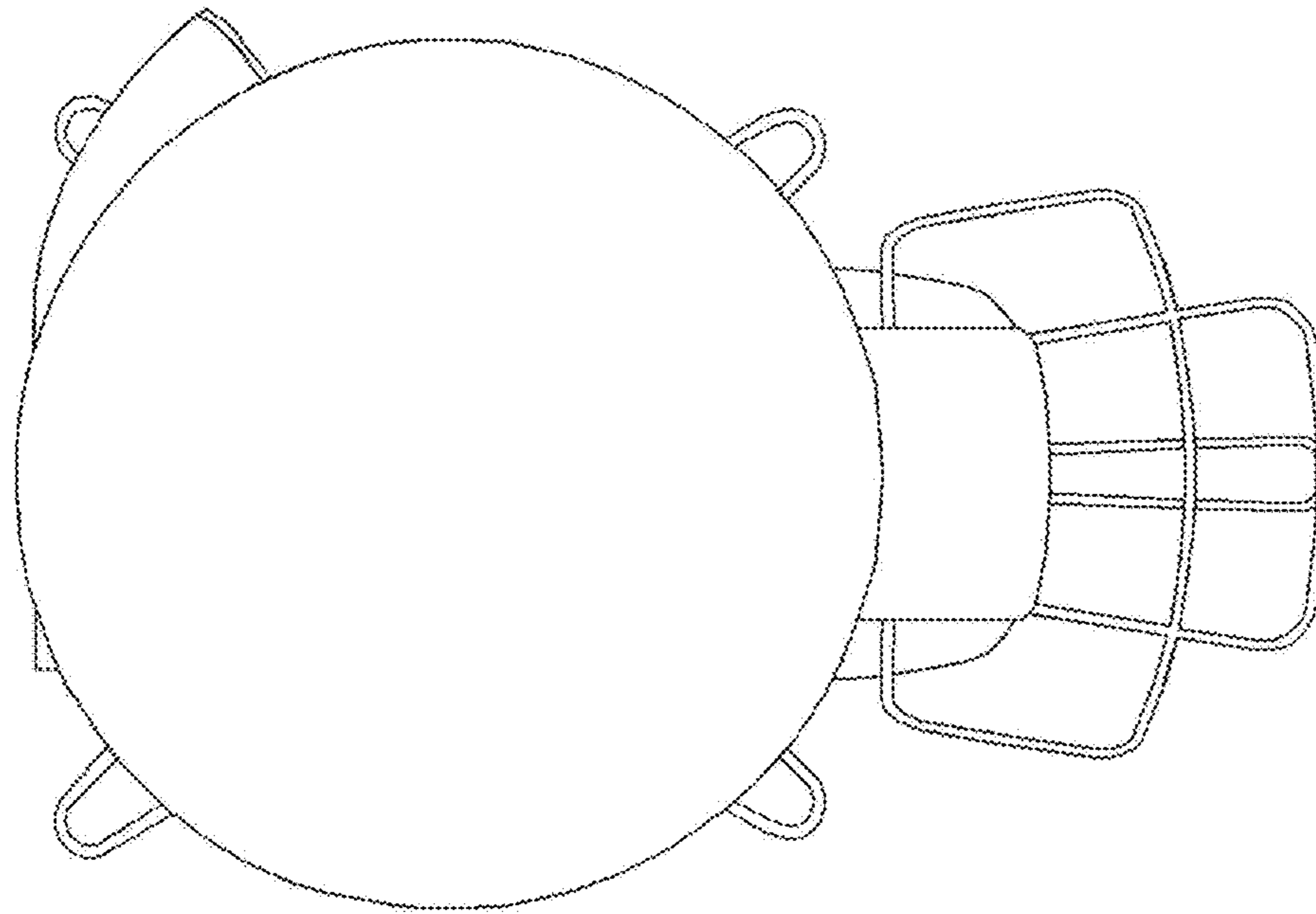


Fig. 7