

US00D777642S

(12) **United States Design Patent** (10) **Patent No.:** **US D777,642 S**
Metelsky (45) **Date of Patent:** **** Jan. 31, 2017**

(54) **SNOWMOBILE TRACK STUD** 8,562,081 B2 * 10/2013 Sturmon B62D 55/211
305/189
(71) Applicant: **Matthew Metelsky**, Virginia Beach, VA D726,631 S * 4/2015 Widgery D12/223
(US) D729,142 S * 5/2015 Ziaylek D12/223
2010/0096917 A1 * 4/2010 Bair B62D 55/24
(72) Inventor: **Matthew Metelsky**, Virginia Beach, VA 2012/0007421 A1 * 1/2012 Meulemans B62D 55/286
(US) 305/187
305/187

(**) Term: **14 Years**

* cited by examiner

(21) Appl. No.: **29/506,464**

Primary Examiner — Katrina A Betton

(22) Filed: **Oct. 16, 2014**

(74) *Attorney, Agent, or Firm* — William G. Sykes

(51) **LOC (10) Cl.** **12-16**

(57) **CLAIM**

(52) **U.S. Cl.**
USPC **D12/400**

The ornamental design for a snowmobile track stud, as shown.

(58) **Field of Classification Search**
USPC D12/400, 223
CPC B62D 55/28
See application file for complete search history.

DESCRIPTION

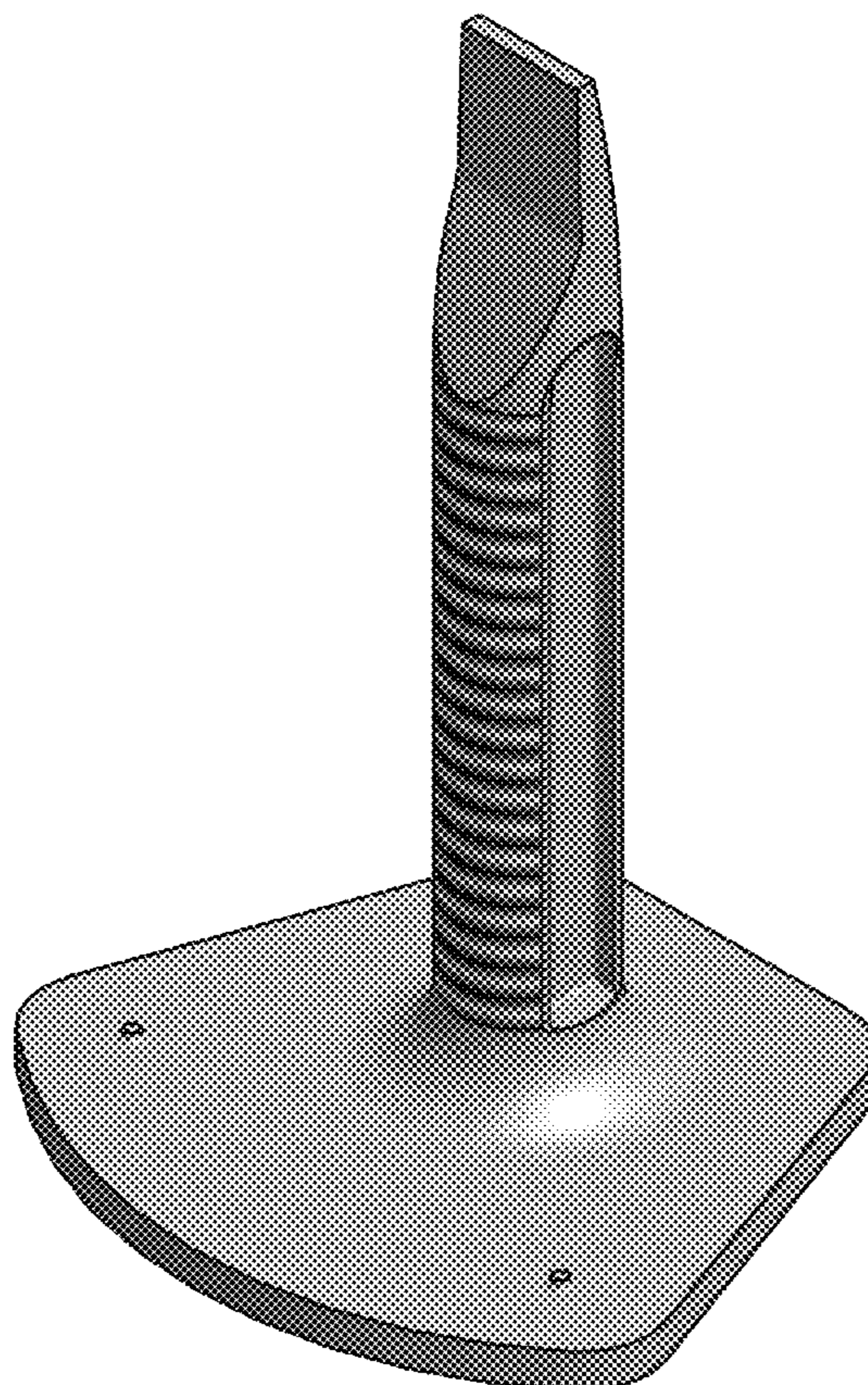
(56) **References Cited**

FIG. 1 is a left side view of a snowmobile track stud showing my new design;
FIG. 2 is a right side view thereof;
FIG. 3 is a front view thereof;
FIG. 4 is a back view thereof;
FIG. 5 is a top view thereof;
FIG. 6 is a bottom view thereof; and,
FIG. 7 is a front left isometric view.

U.S. PATENT DOCUMENTS

3,595,125 A * 7/1971 Jacobs B60P 7/0807
296/43
D438,837 S * 3/2001 Wheatley D12/223
6,712,569 B1 * 3/2004 Wang B60P 7/0807
410/107
D540,244 S * 4/2007 Racek D12/223

1 Claim, 7 Drawing Sheets



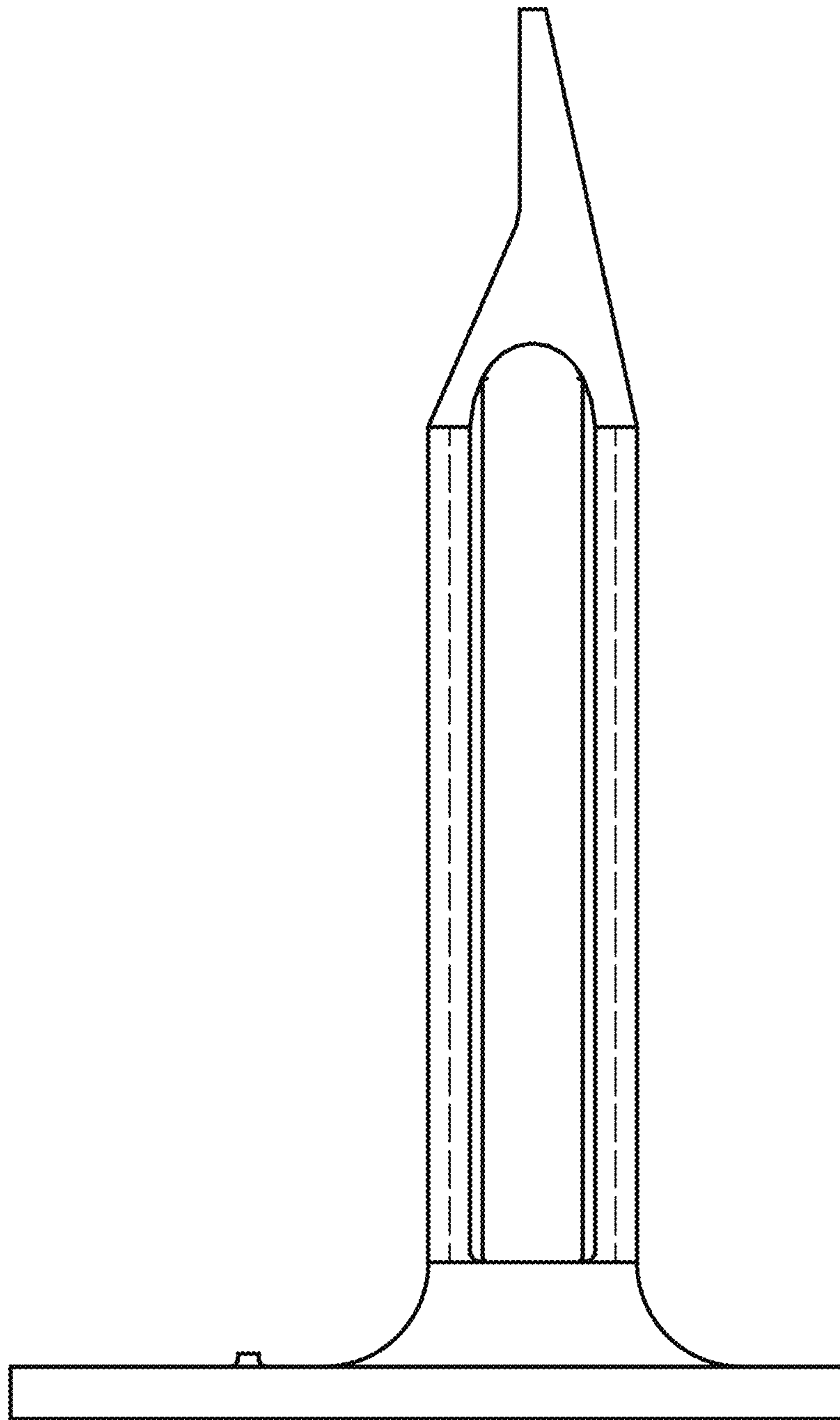


FIGURE 1

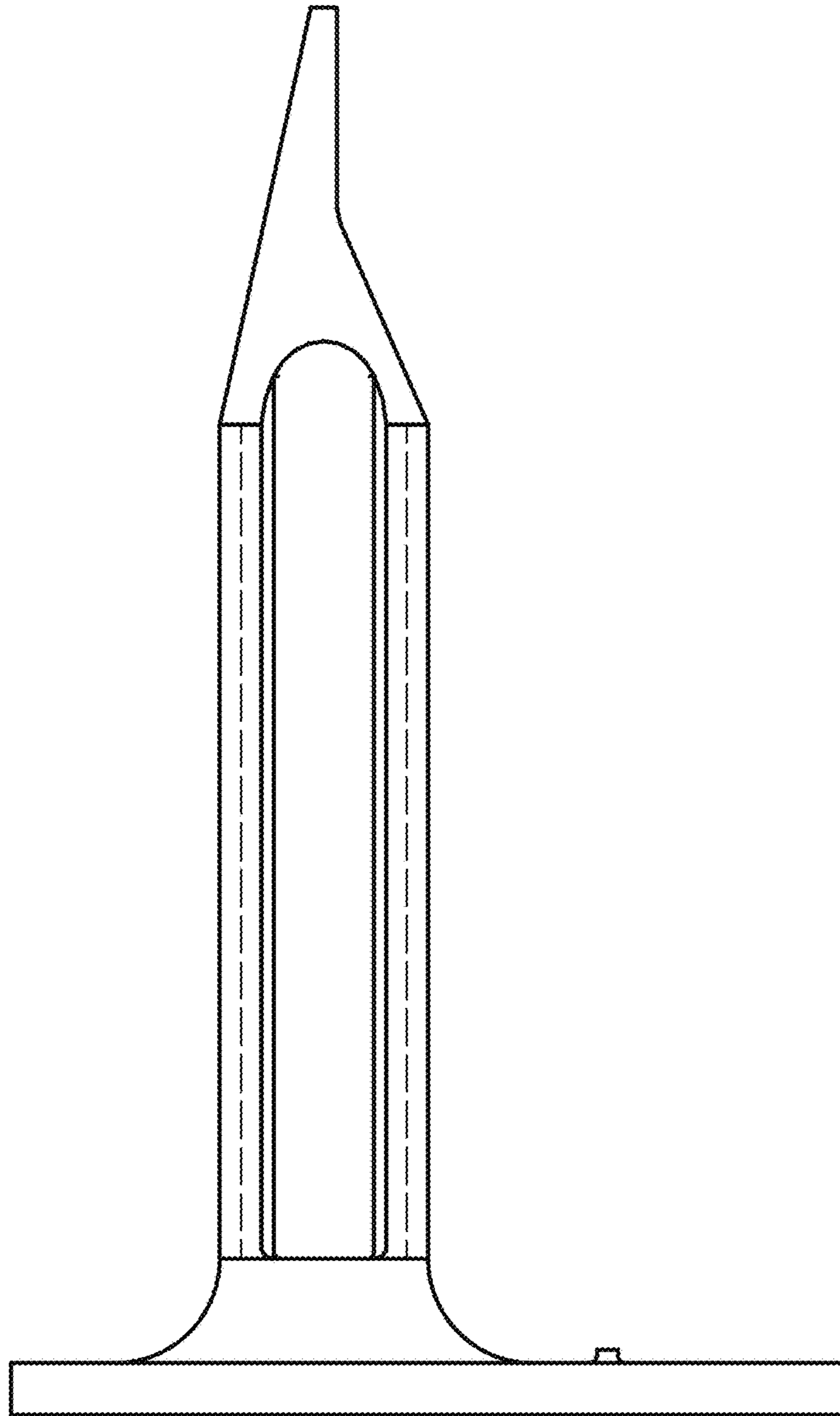


FIGURE 2

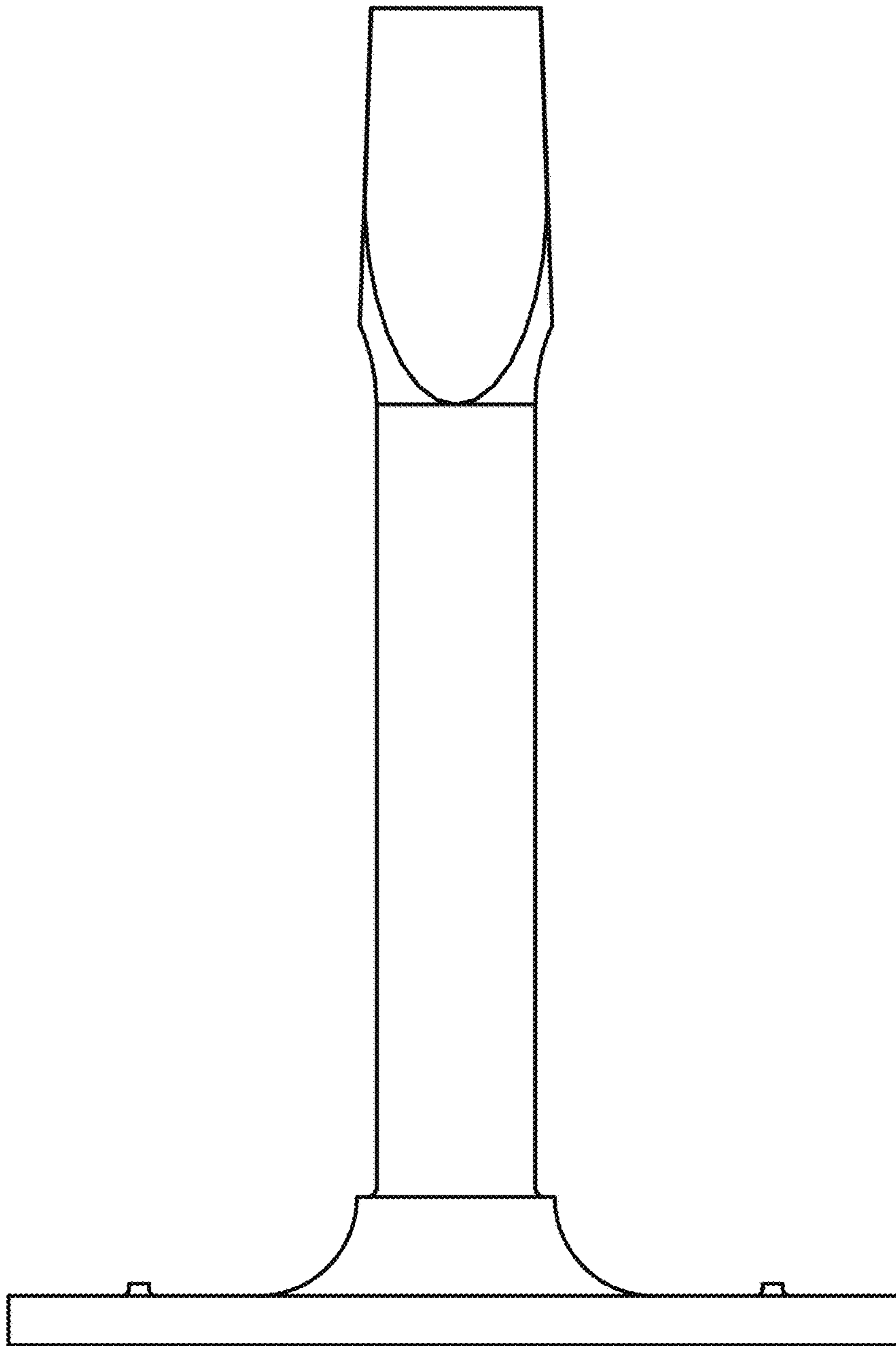


FIGURE 3

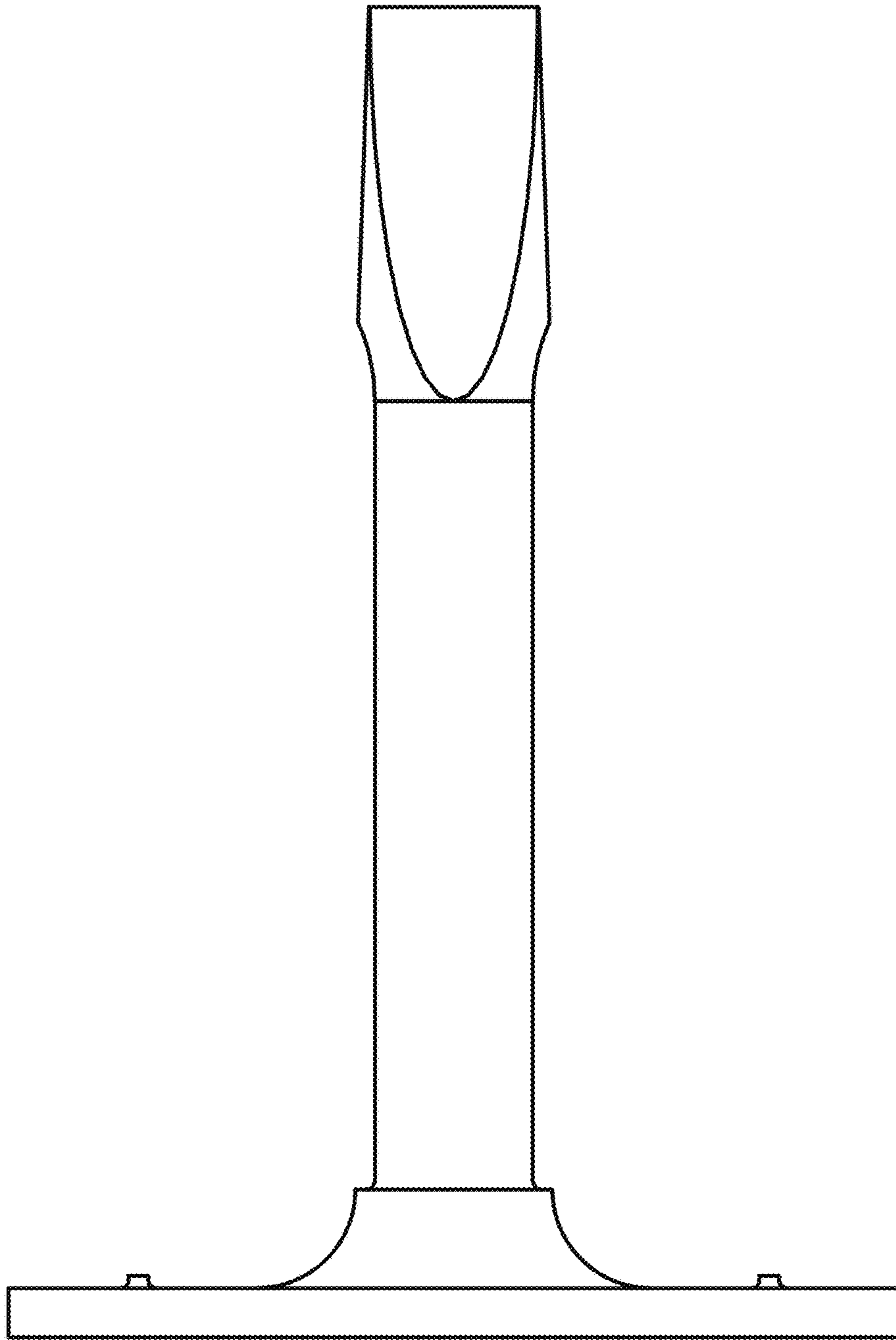


FIGURE 4

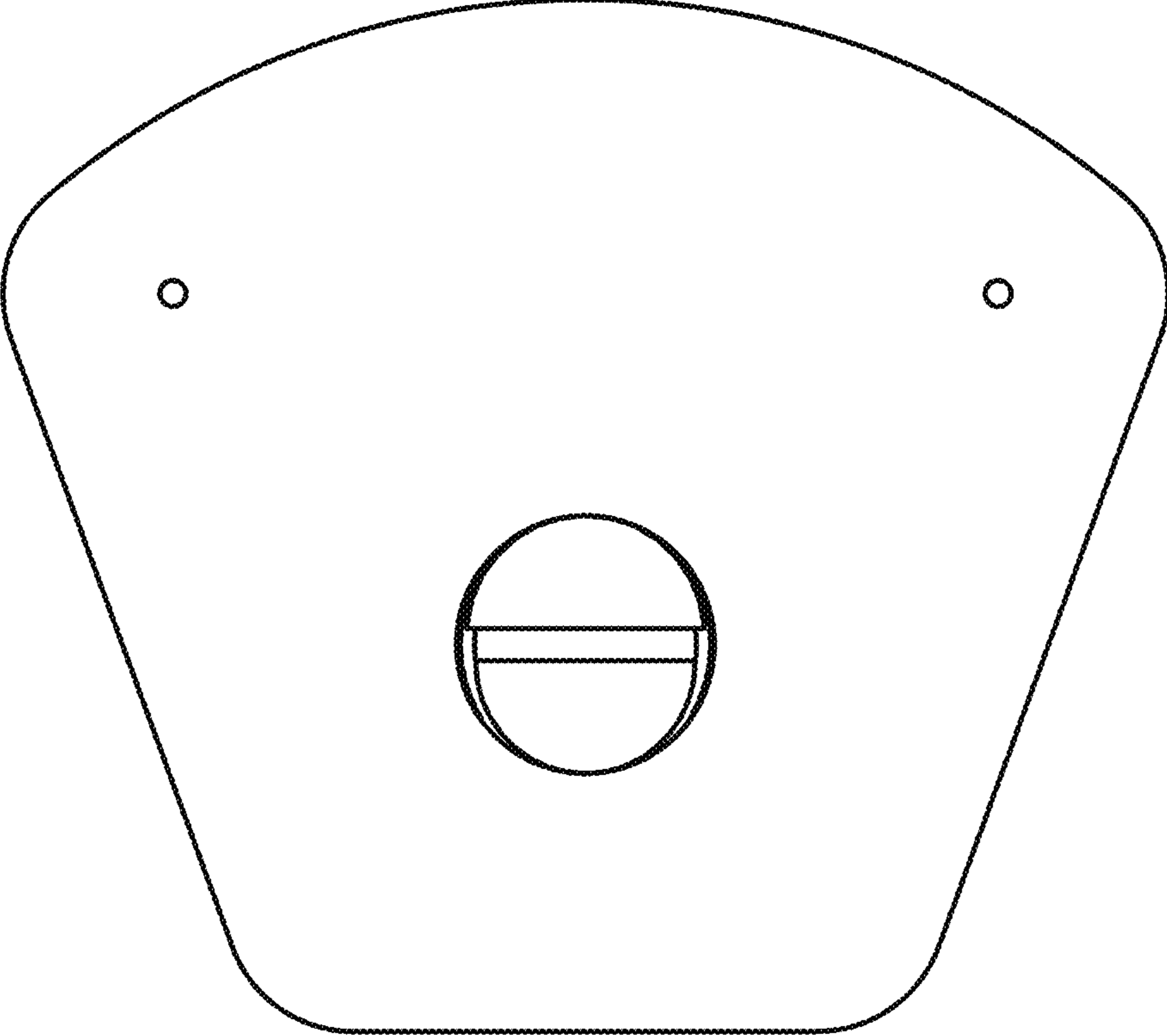


FIGURE 5

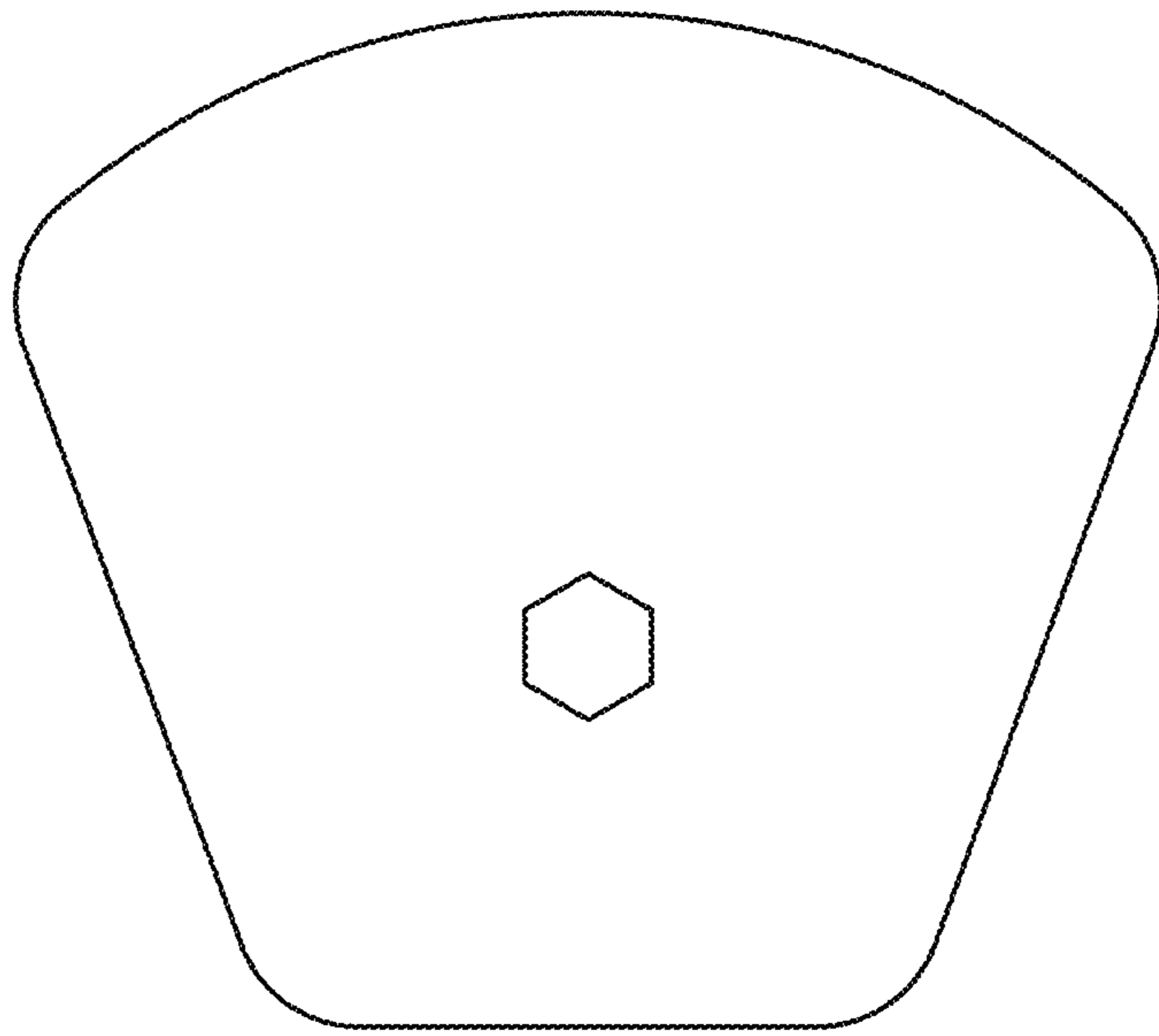


FIGURE 6

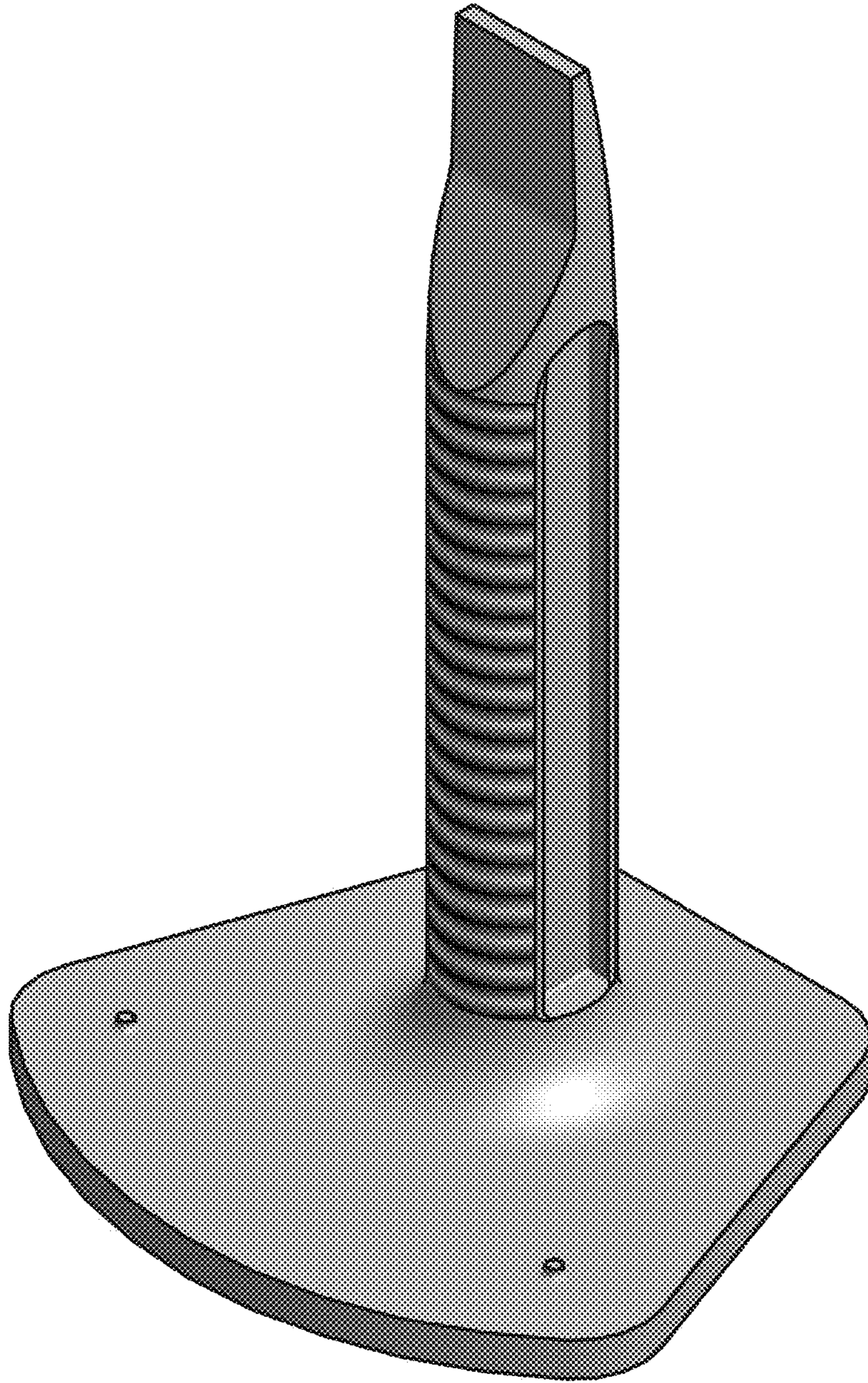


FIGURE 7