



US00D777641S

(12) **United States Design Patent** (10) **Patent No.:** **US D777,641 S**
Kasparian (45) **Date of Patent:** **** Jan. 31, 2017**

(54) **COMBINED AIRCRAFT DISPLAY AND LIFT MECHANISM**

(71) Applicant: **Gulfstream Aerospace Corporation**, Savannah, GA (US)

(72) Inventor: **Aram Kasparian**, Savannah, GA (US)

(73) Assignee: **Gulfstream Aerospace Corporation**, Savannah, GA (US)

(**) Term: **14 Years**

(21) Appl. No.: **29/506,198**

(22) Filed: **Oct. 14, 2014**

(51) **LOC (10) Cl.** **12-07**

(52) **U.S. Cl.**
USPC **D12/345**

(58) **Field of Classification Search**
USPC D6/336, 384, 653, 654, 665, 657, 663, D6/672, 573; D7/602, 603, 614; D12/319, D12/323, 325, 336, 345, 192, 423, 415, D12/416, 179, 180, 182; D21/436, 447, D21/448, 449, 453; D14/125-134, 307, D14/336, 371

CPC . B64C 13/04; B64D 11/0007; B64D 11/0015; B64D 11/003; B64D 11/04; B64D 2011/0046; B64D 11/0629; B64B 1/10
See application file for complete search history.

(56) **References Cited**

U.S. PATENT DOCUMENTS

D127,588 S *	6/1941	Owen	312/309
D254,342 S *	3/1980	Sunset	D12/345
D407,086 S *	3/1999	Rosen	D14/132
D564,995 S *	3/2008	Gray	D14/126
D628,138 S *	11/2010	Collins	D12/345
D628,199 S *	11/2010	Yukikado	D14/371
D636,749 S *	4/2011	Kucera	D14/132
D637,595 S *	5/2011	Mizusugi	D14/303
D647,024 S *	10/2011	Tan	D12/345

D649,926 S *	12/2011	Tan	D12/345
D664,789 S *	8/2012	Mehran	D6/657
D669,013 S *	10/2012	Schreuder	D12/345
D711,305 S *	8/2014	Pirie	D12/345
D715,798 S *	10/2014	De La Cruz	D14/371
D717,081 S *	11/2014	Dworman	D6/657
D725,060 S *	3/2015	Lam	D14/126
D732,318 S *	6/2015	Engebretson	D6/657
D735,714 S *	8/2015	Sang	D14/371
D739,464 S *	9/2015	Liu	D14/371
2006/0050473 A1 *	3/2006	Zheng	B60R 11/0211 361/679.27
2015/0251758 A1 *	9/2015	Vandyke	B62B 3/004 280/47.35
2015/0251761 A1 *	9/2015	Vandyke	F25D 3/125 62/56

* cited by examiner

Primary Examiner — Robert M Spear

Assistant Examiner — Marissa J Cash

(74) *Attorney, Agent, or Firm* — Lorenz & Kopf, LLP (LKGlobal)

(57) **CLAIM**

The ornamental design for a combined aircraft display and lift mechanism, as shown and described.

DESCRIPTION

FIG. 1 is a first front perspective view of a combined aircraft display and lift mechanism;

FIG. 2 is a second front perspective view thereof;

FIG. 3 is a top view thereof;

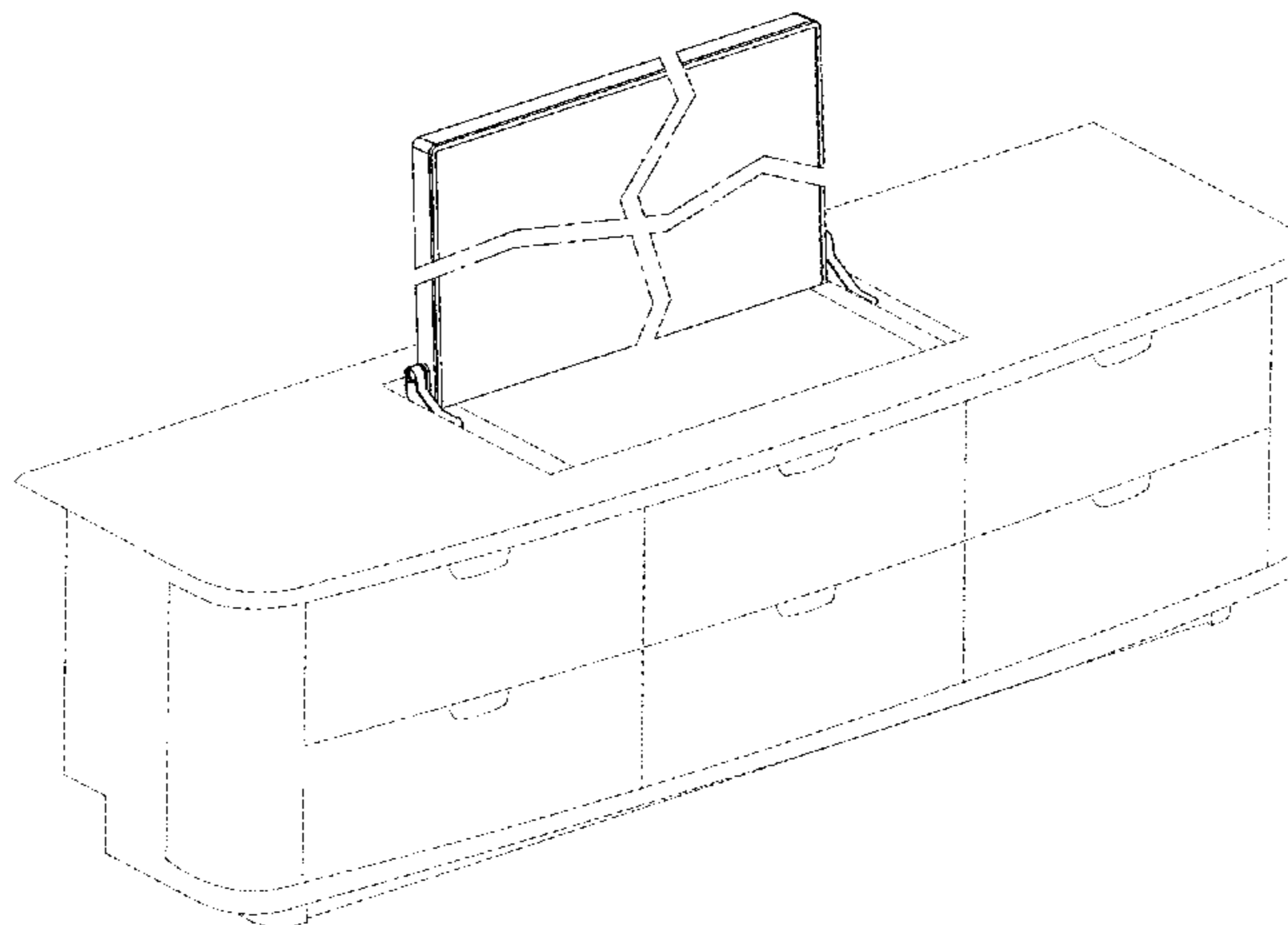
FIG. 4 is a first side view thereof;

FIG. 5 is a second side view thereof; and,

FIG. 6 is a front view thereof, the back view forming no part of the claimed design.

The combined aircraft display and lift mechanism is shown with a symbolic break in its width and height. The appearance of any portion of the article between the break lines forms no part of the claimed design.

1 Claim, 5 Drawing Sheets



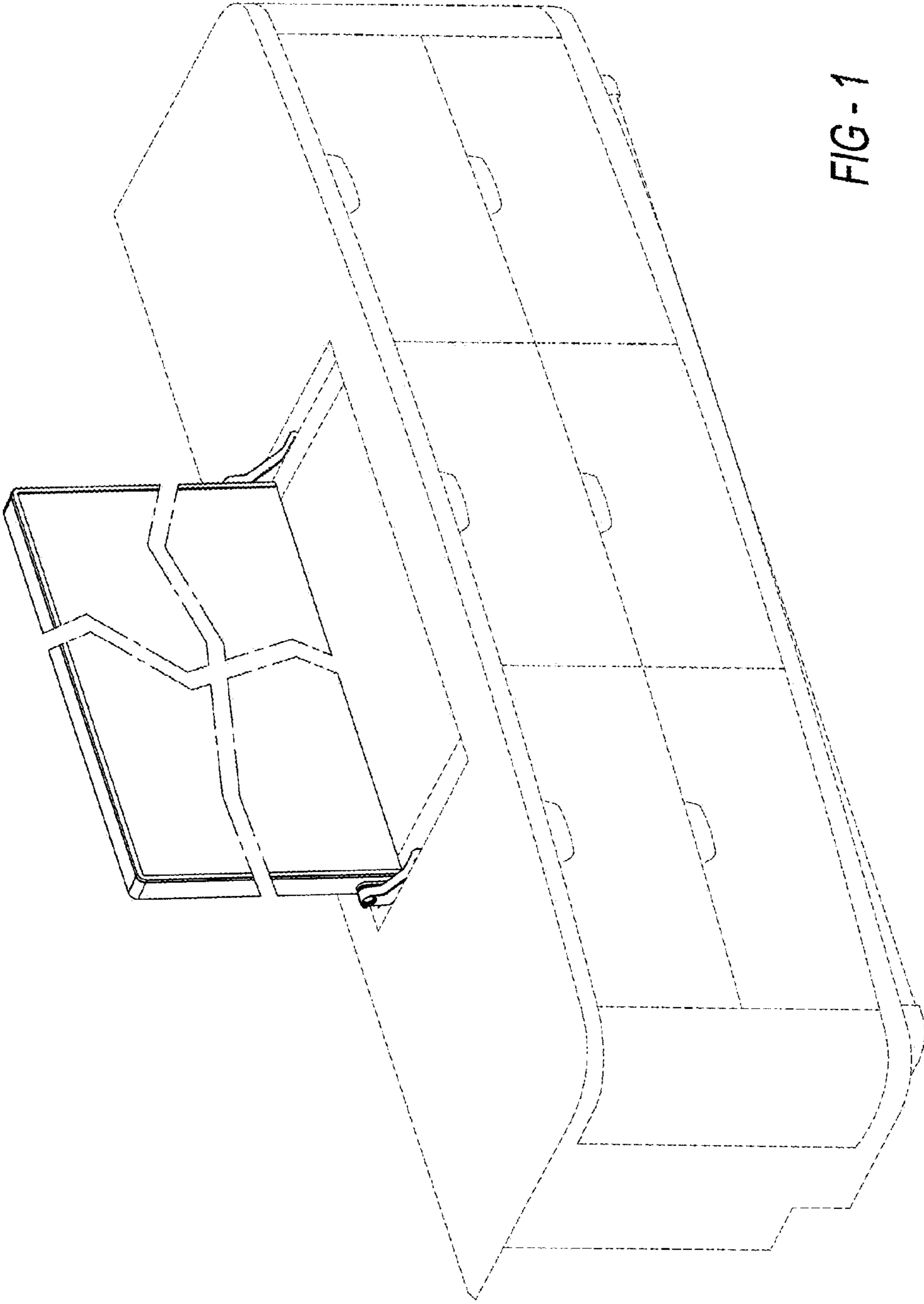


FIG - 1

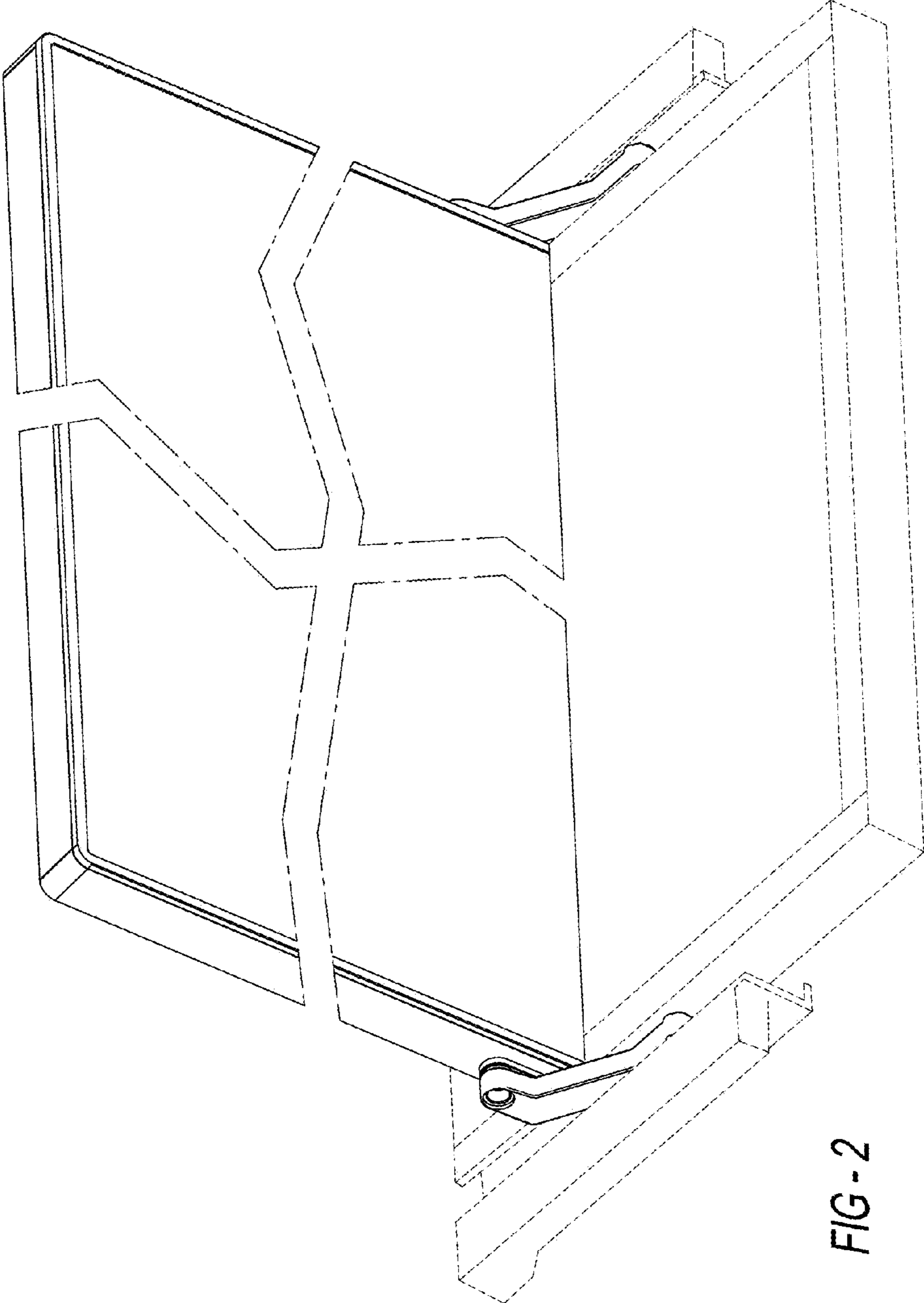


FIG - 2

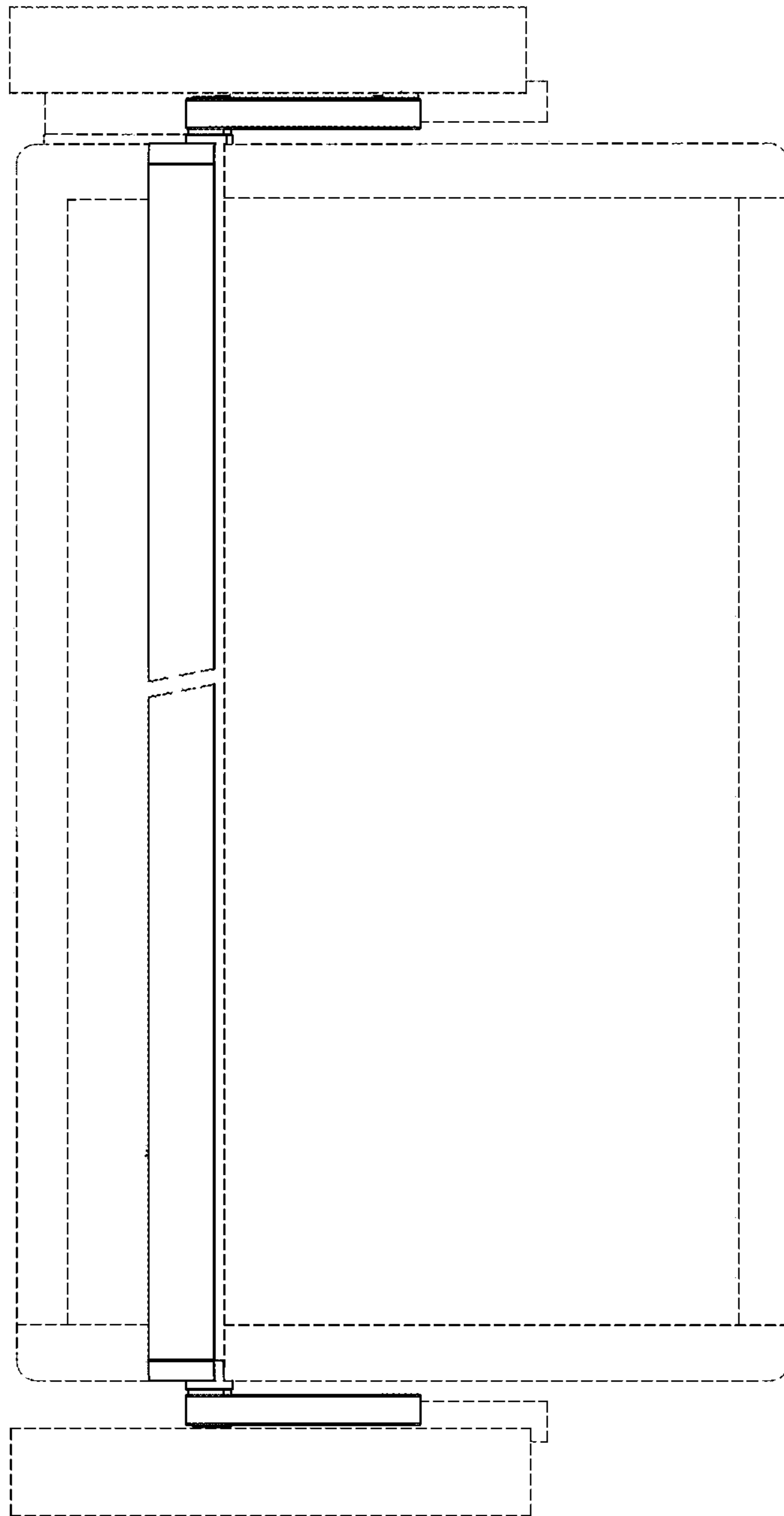


FIG - 3

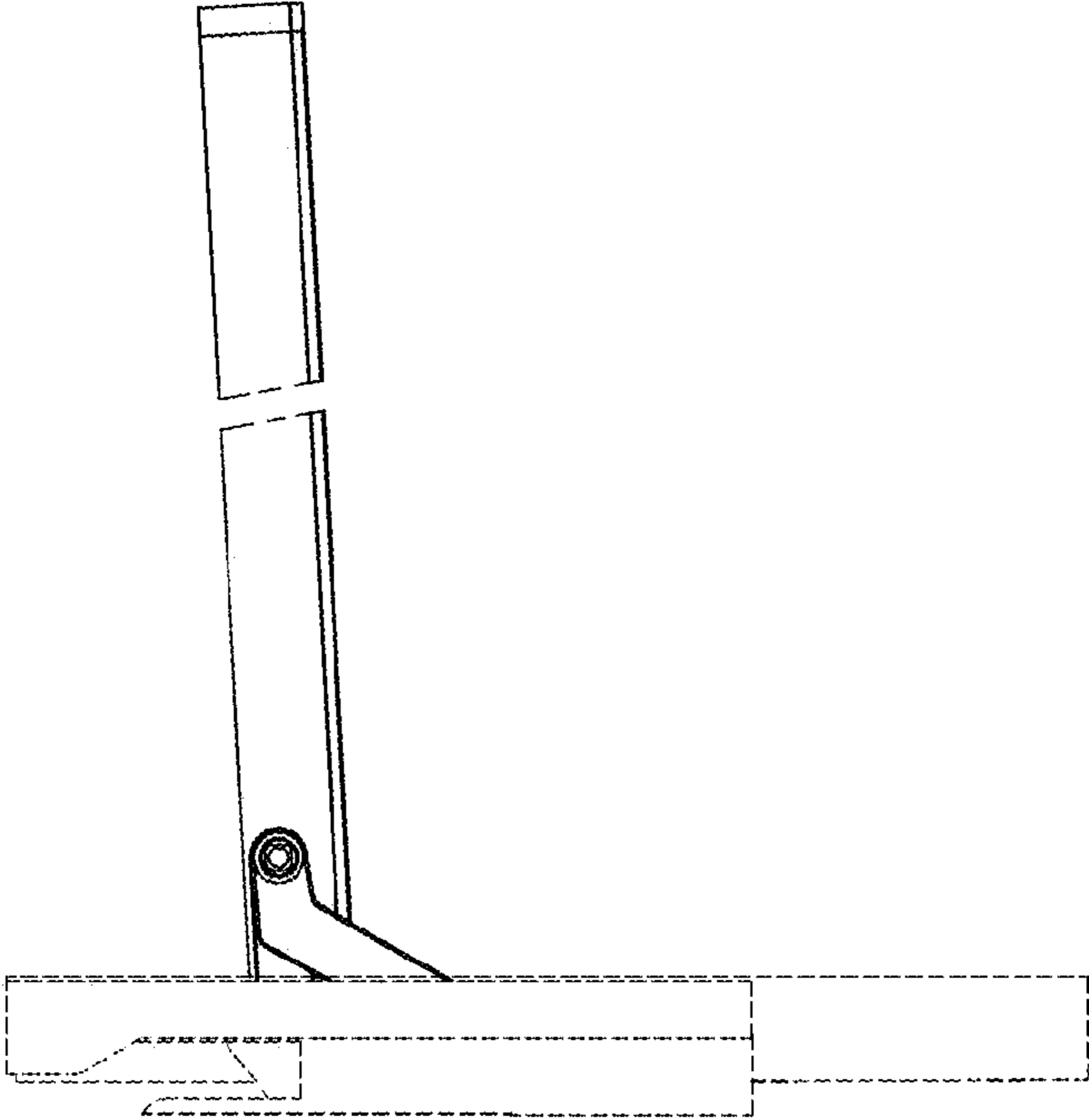
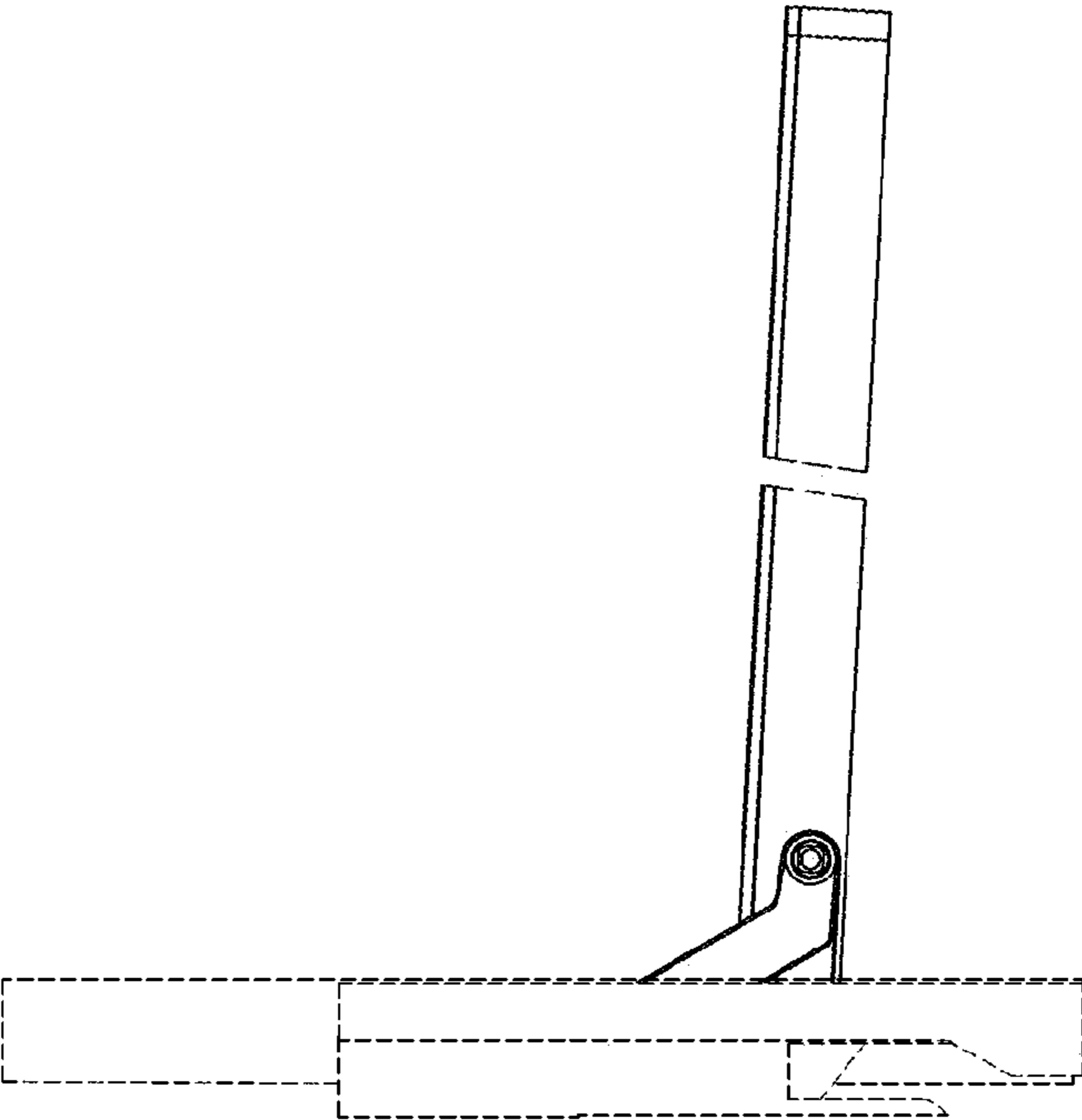


FIG - 4

FIG - 5



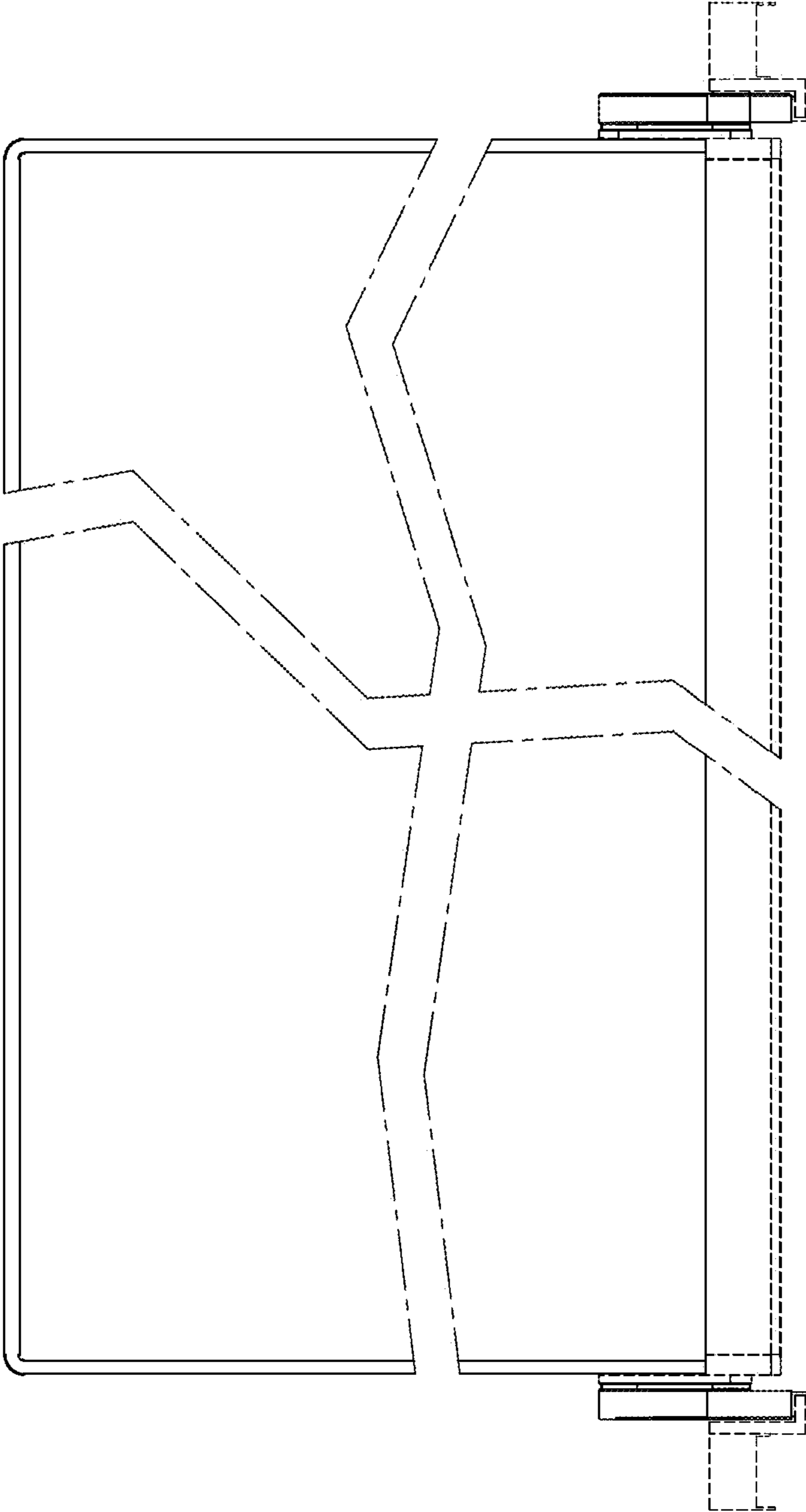


FIG - 6