



US00D777636S

(12) **United States Design Patent**
Lindsey

(10) **Patent No.:** **US D777,636 S**

(45) **Date of Patent:** **** Jan. 31, 2017**

(54) **LEFT DOOR SECTION FOR A CAR BODY**

D680,908 S * 4/2013 Cook D12/92
D730,774 S * 6/2015 Bruce D12/86
D753,549 S * 4/2016 Manzoni D12/88

(71) Applicant: **Robert Lindsey**, Braselton, GA (US)

(72) Inventor: **Robert Lindsey**, Braselton, GA (US)

(73) Assignee: **DELTA WING TECHNOLOGY GROUP, INC.**, Braselton, GA (US)

(**) Term: **15 Years**

(21) Appl. No.: **29/539,068**

(22) Filed: **Sep. 10, 2015**

(51) **LOC (10) Cl.** **12-16**

(52) **U.S. Cl.**
USPC **D12/196**

(58) **Field of Classification Search**
USPC D12/86, 90-92, 190, 196
CPC B60R 13/04; B60R 19/54; B62D 25/12;
B62D 27/026; B62D 35/005; B60J 5/0412
See application file for complete search history.

(56) **References Cited**

U.S. PATENT DOCUMENTS

D55,441 S * 6/1920 Smith D12/92
D82,044 S * 9/1930 Martin D12/91
D469,387 S * 1/2003 Ramaciotti D12/88
D507,992 S * 8/2005 Stephenson D12/92
D528,945 S * 9/2006 Petrotta D12/92
D551,121 S * 9/2007 Schreyer D12/92
D554,023 S * 10/2007 Davidson D12/92
D588,958 S * 3/2009 Zheng D12/92
D607,782 S * 1/2010 Yamazaki D12/92
D614,535 S * 4/2010 Park D12/92

OTHER PUBLICATIONS

<http://www.tuvie.com/renault-e0-car-concept-with-solar-panel-roof/>—Downloaded May 9, 2016.*

<http://www.dezeen.com/2015/03/10/six-best-electric-hybrid-car-designs-geneva-motor-show/>—Published Mar. 10, 2015.*

* cited by examiner

Primary Examiner — Manpreet Matharu

Assistant Examiner — Mojtaba Tehrani

(74) *Attorney, Agent, or Firm* — Withers & Keys, LLC

(57) **CLAIM**

The ornamental design for a left door section for a car body, as shown and described.

DESCRIPTION

FIG. 1 is a front left perspective view of the left door section for a car body;

FIG. 2 is a front right perspective view thereof;

FIG. 3 is a front view thereof;

FIG. 4 is a rear view thereof;

FIG. 5 is a top view thereof;

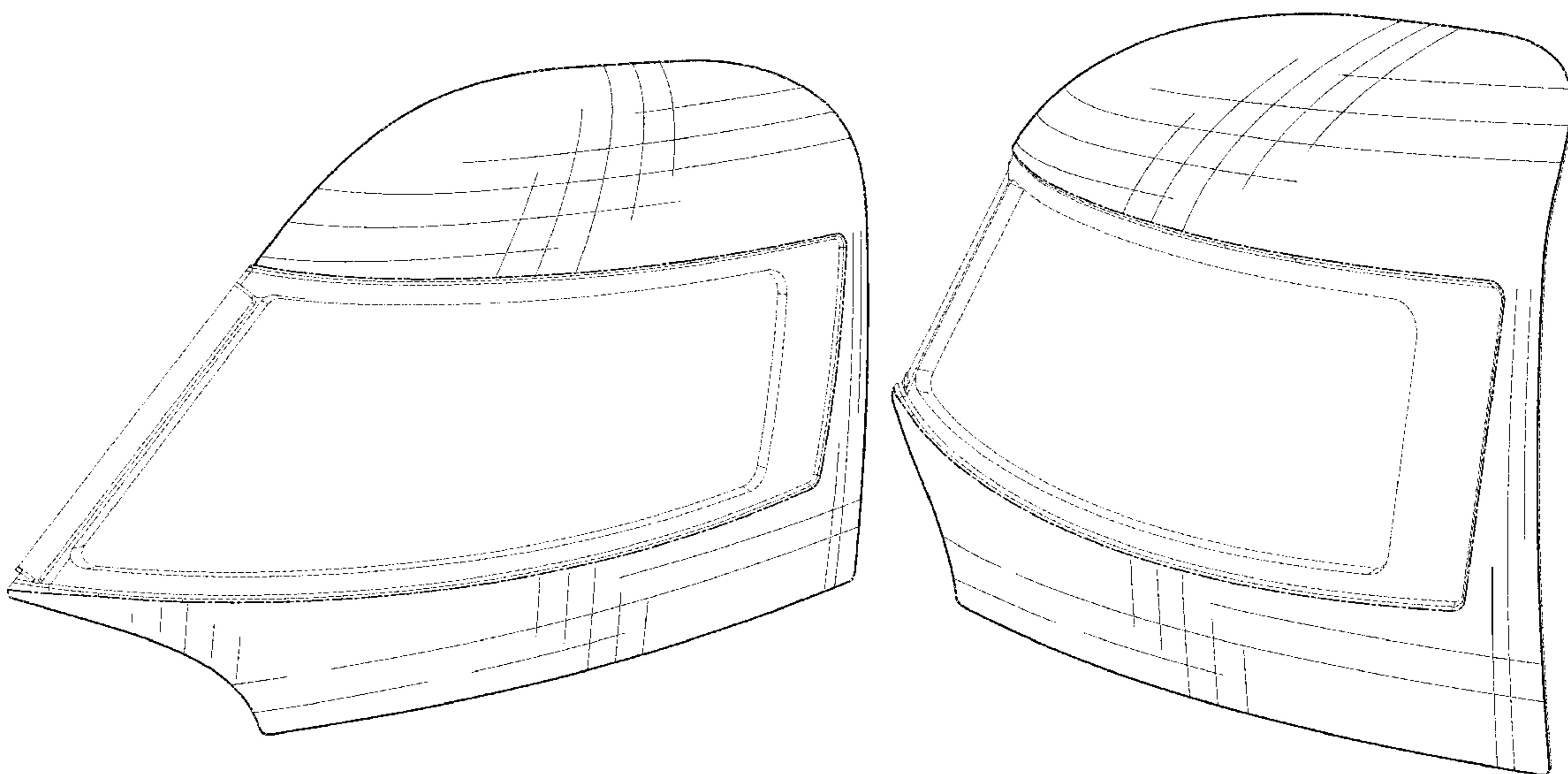
FIG. 6 is a bottom view thereof;

FIG. 7 is a left view thereof; and,

FIG. 8 is a right view thereof.

The evenly broken line in the figure drawings represents unclaimed environment only and forms no part of the claimed design. The dash-dot broken line represents the boundaries and forms no part of the claimed design.

1 Claim, 8 Drawing Sheets



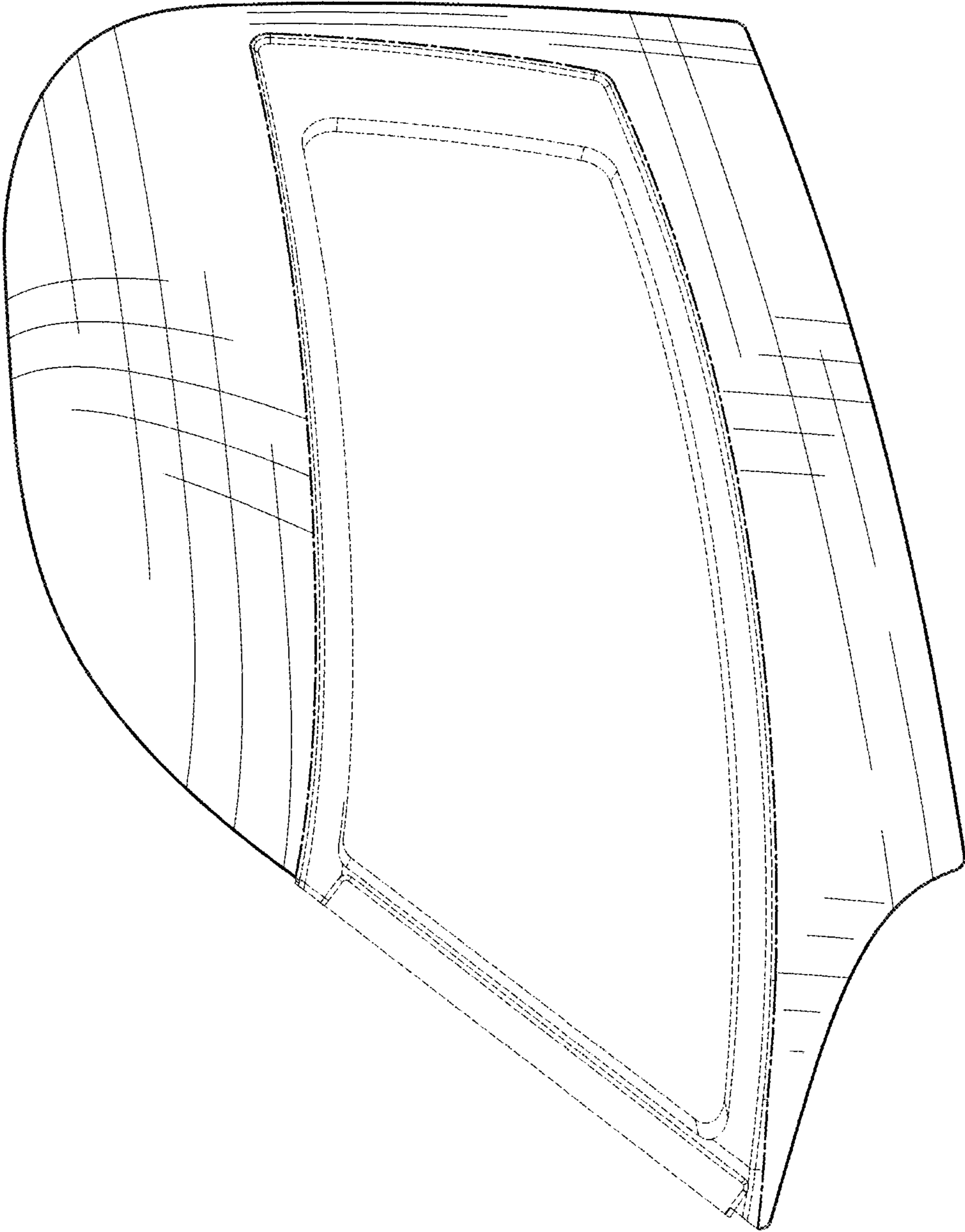


FIG. 1

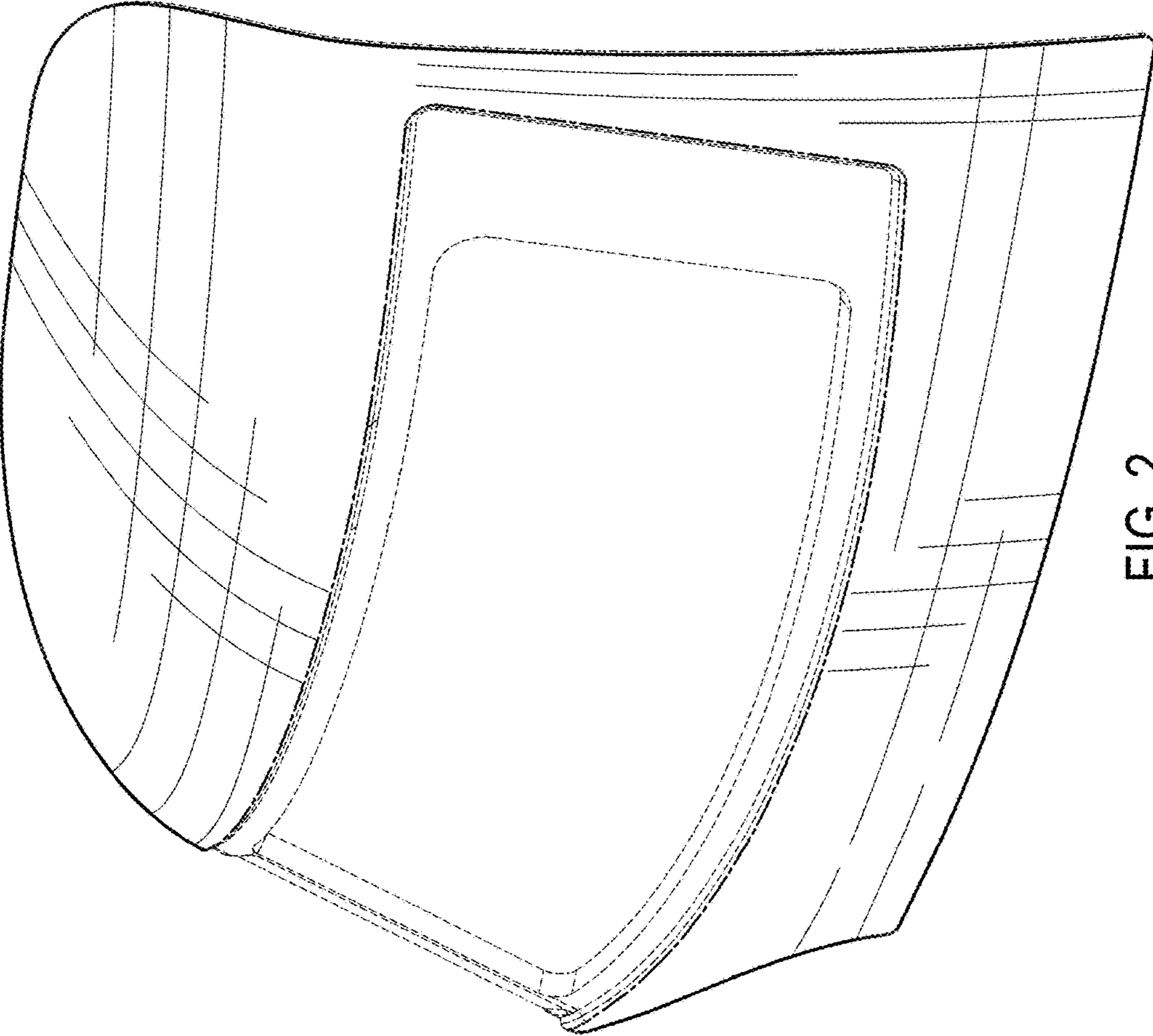


FIG. 2

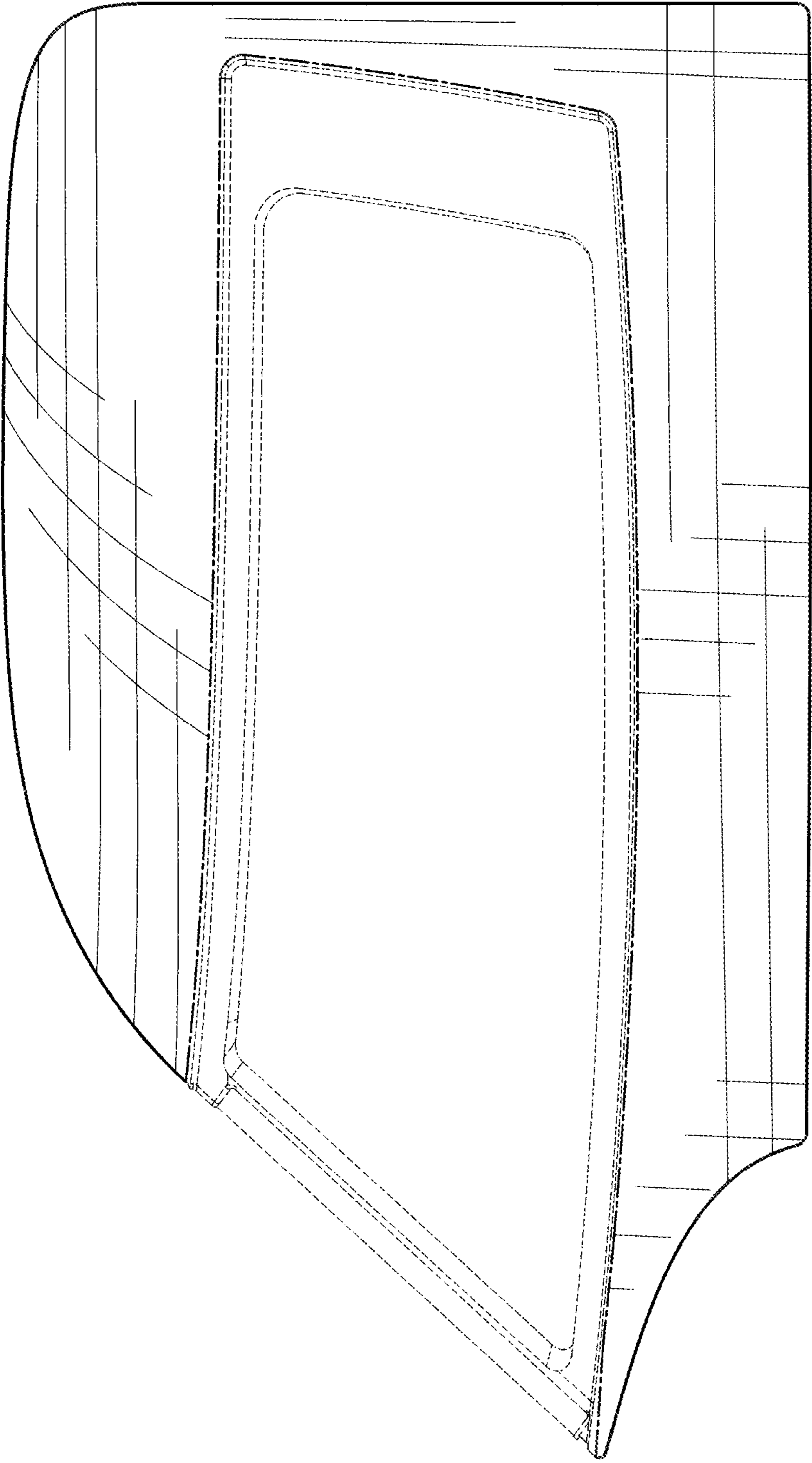


FIG. 3

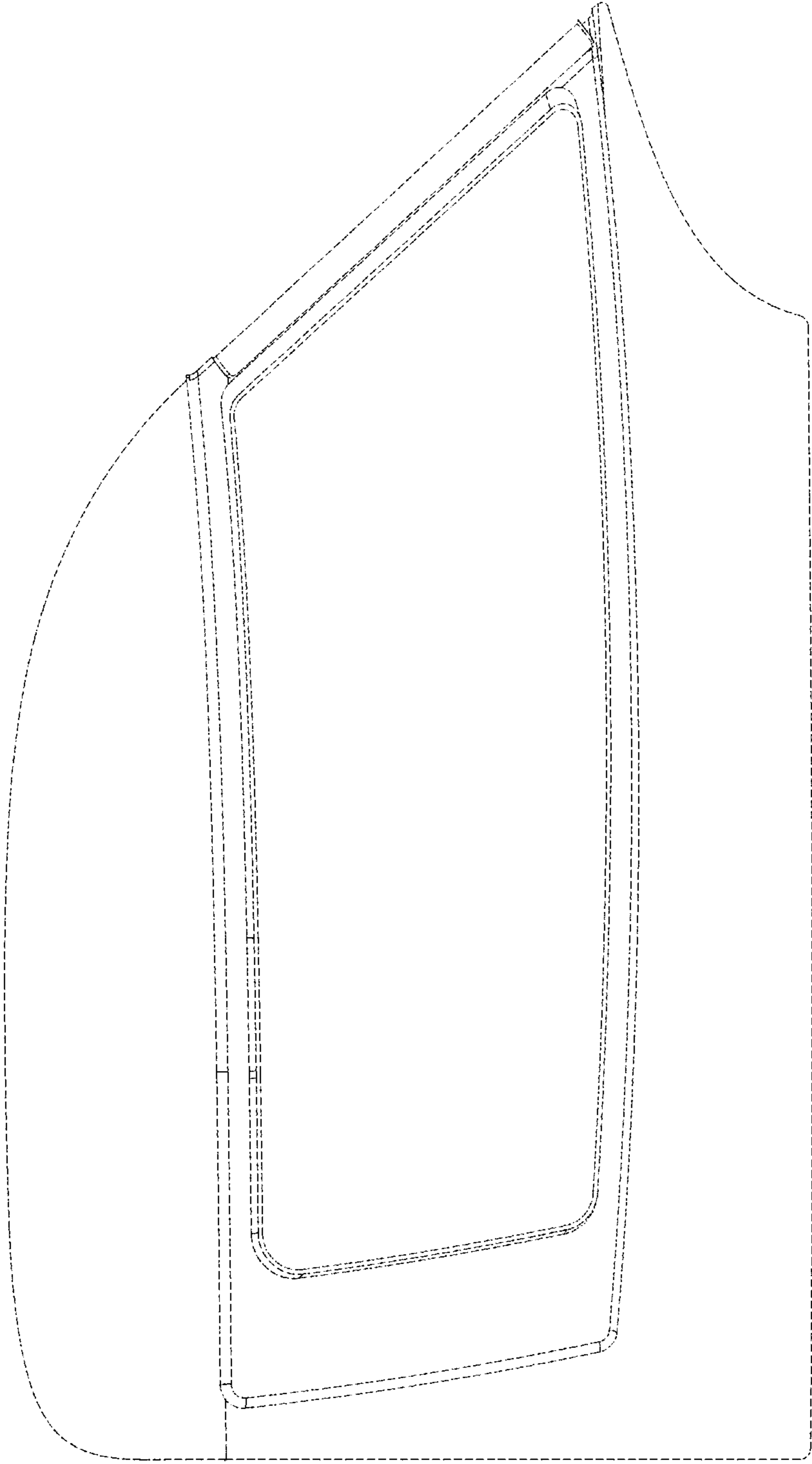


FIG. 4

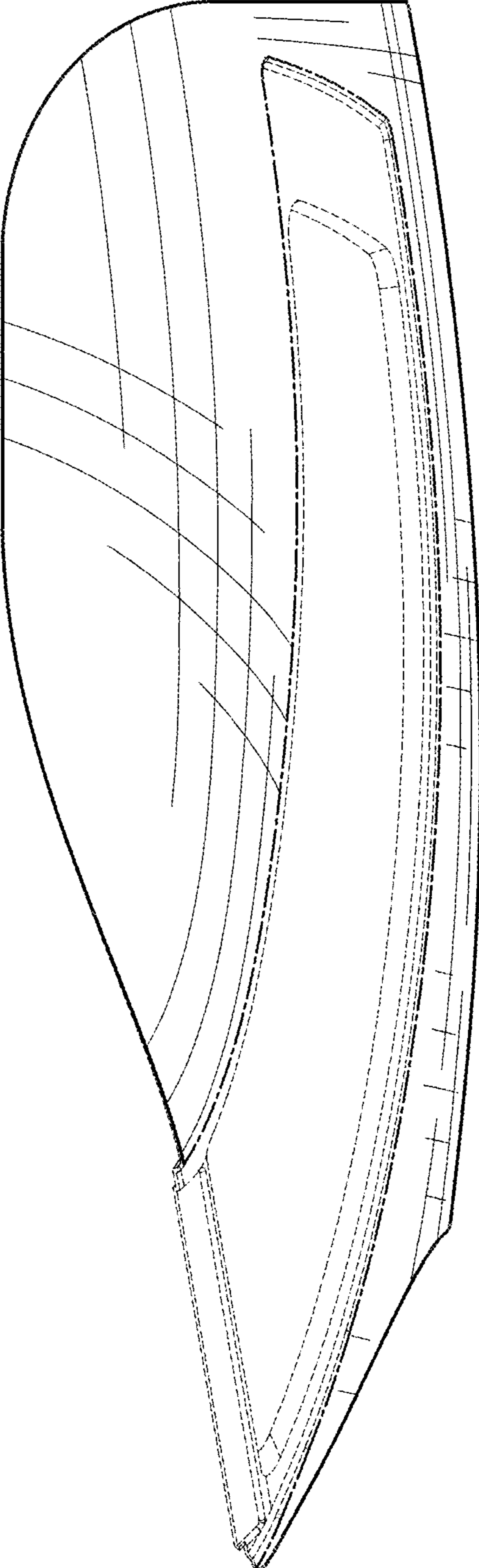


FIG. 5

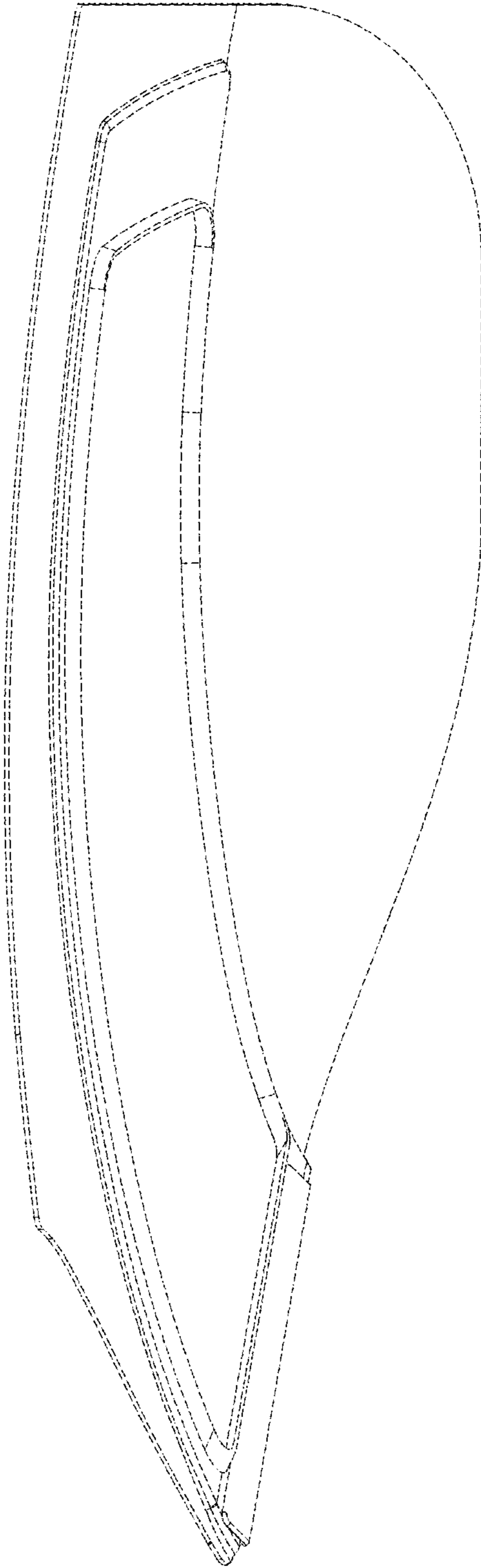


FIG. 6

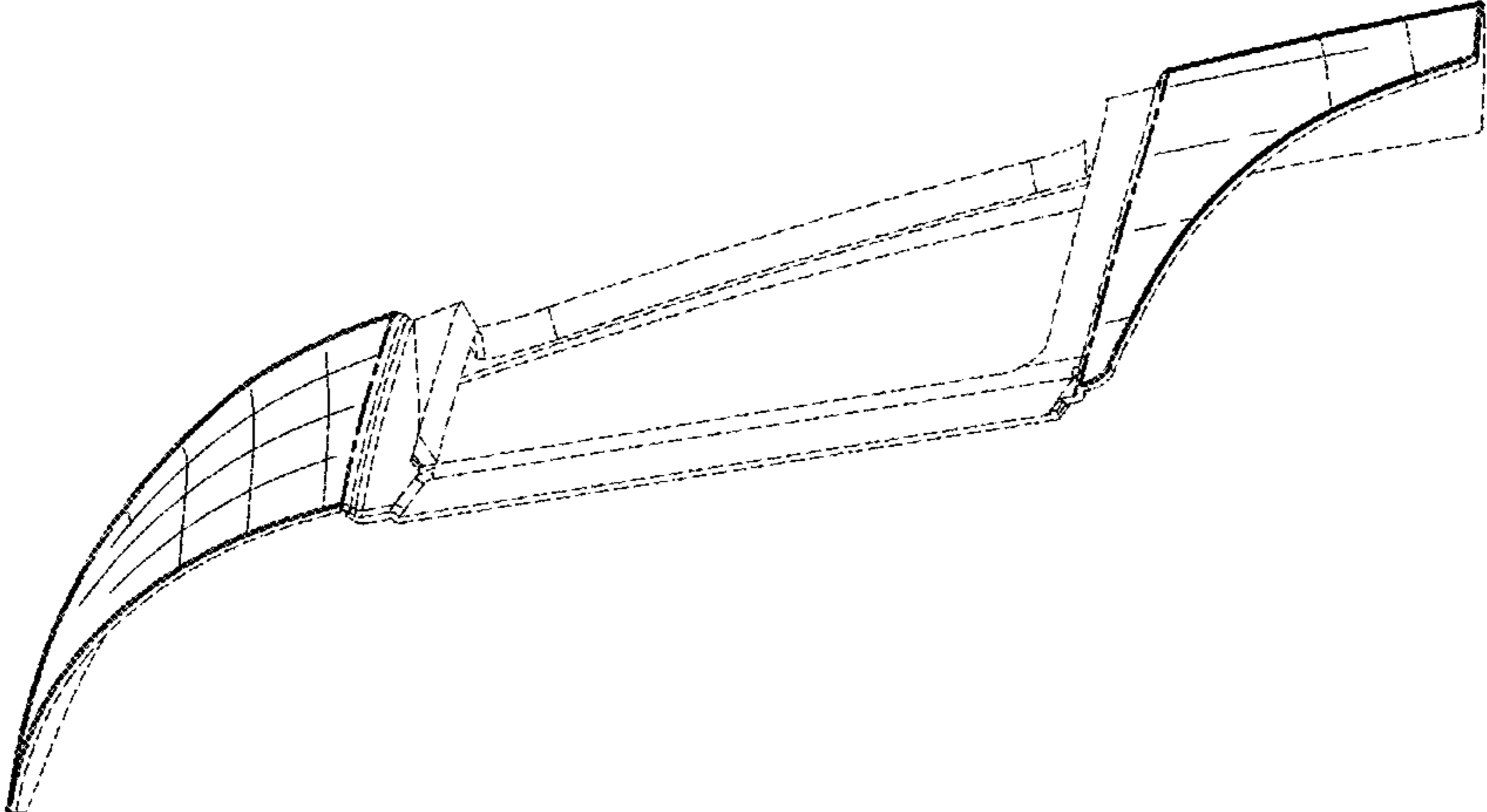


FIG. 7

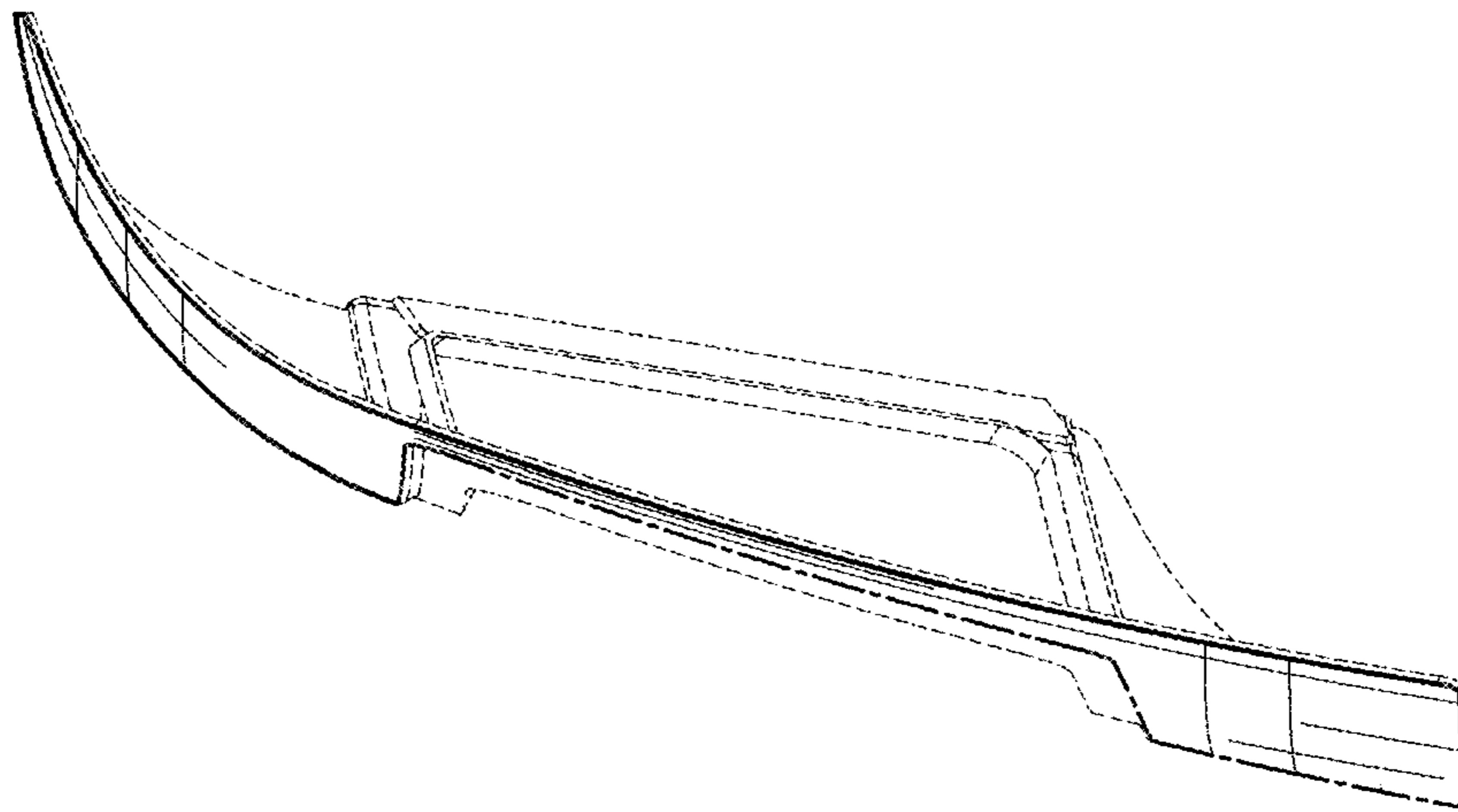


FIG. 8