



US00D777633S

(12) **United States Design Patent**
Schneider

(10) **Patent No.:** **US D777,633 S**
(45) **Date of Patent:** **** Jan. 31, 2017**

(54) **REAR DOOR FOR A VEHICLE**
(71) Applicant: **Bayerische Motoren Werke**
Aktiengesellschaft, Munich (DE)
(72) Inventor: **Alexander Schneider, Munich (DE)**
(73) Assignee: **Bayerische Motoren Werke**
Aktiengesellschaft, Munich (DE)

D702,170 S * 4/2014 Ito D12/196
D705,149 S * 5/2014 Sakae D12/196
2002/0158460 A1* 10/2002 Logan B60R 13/04
280/848
2003/0141744 A1* 7/2003 Stewart B60J 5/0497
296/181.1
2015/0266363 A1* 9/2015 Yamaguchi B62D 35/007
296/180.1

(**) Term: **14 Years**

(21) Appl. No.: **29/518,118**

(22) Filed: **Feb. 20, 2015**

(30) **Foreign Application Priority Data**

Aug. 21, 2014 (DE) 40 2014 100 781

(51) **LOC (10) Cl.** **12-16**

(52) **U.S. Cl.**
USPC **D12/196**

(58) **Field of Classification Search**
USPC D12/86, 88, 90, 91, 92, 181, 184, 196,
D12/400; D21/424, 433, 434; 280/727,
280/847, 848; 296/181.1, 181.5
CPC B60J 5/04; B60J 5/0412; B60J 5/0401;
B62D 25/00; B62D 25/02; B62D 25/08
See application file for complete search history.

(56) **References Cited**

U.S. PATENT DOCUMENTS

3,672,718 A * 6/1972 Broyer B62D 35/00
296/181.1
D531,934 S * 11/2006 Nagura D12/90
D567,144 S * 4/2008 Pocobello D12/86
D576,532 S * 9/2008 Hildebrand D12/196
D580,331 S * 11/2008 Gueler D12/196
D618,604 S * 6/2010 Beigel D12/196
D682,172 S * 5/2013 Peltola D12/196
D695,179 S * 12/2013 Tada D12/196

FOREIGN PATENT DOCUMENTS

WO DM/068829 5/2007

* cited by examiner

Primary Examiner — Rosemary K Tarcza
Assistant Examiner — Yolanda Robinson
(74) *Attorney, Agent, or Firm* — Crowell & Moring LLP

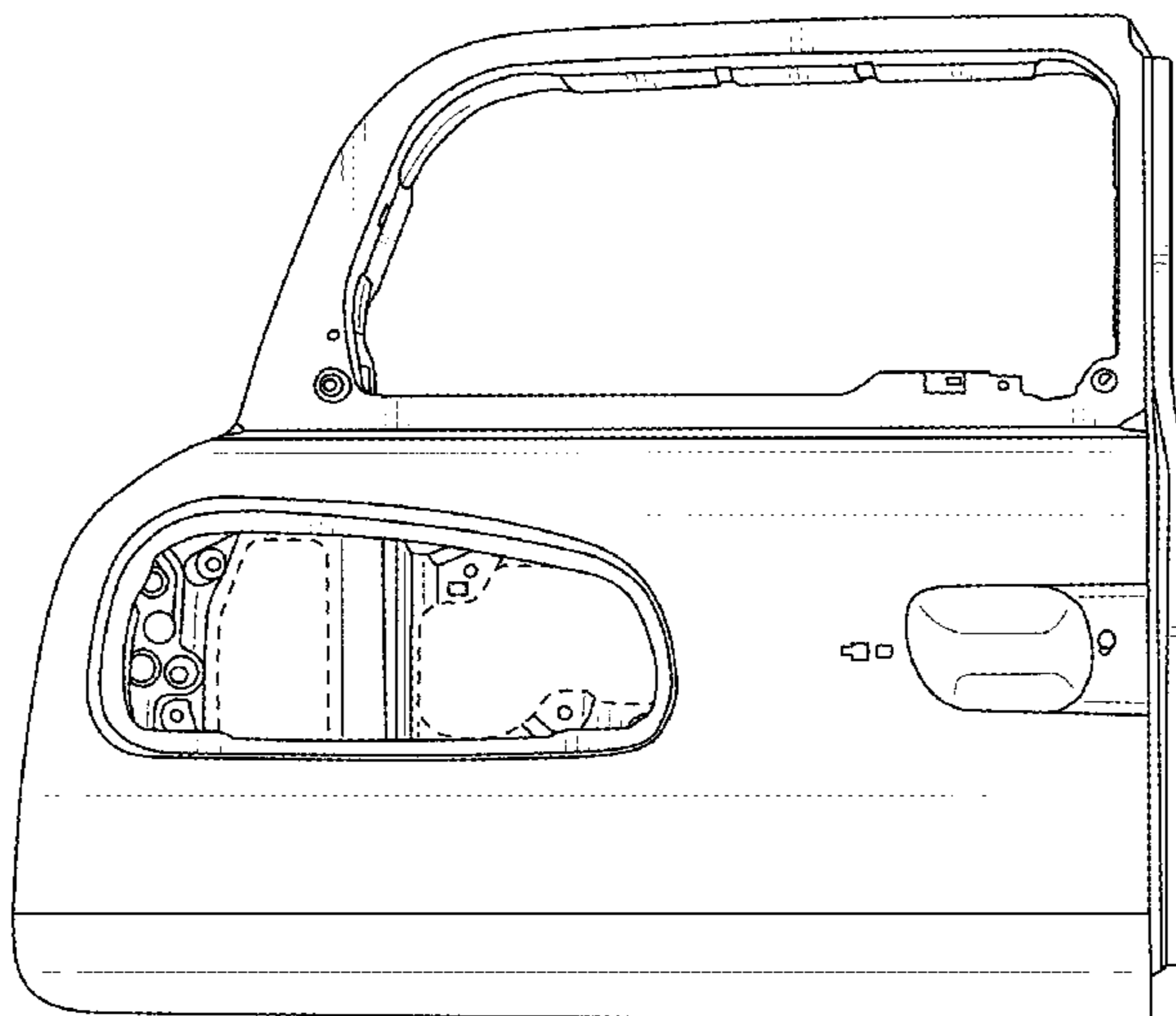
(57) **CLAIM**

The ornamental design for a rear door for a vehicle, as shown and described.

DESCRIPTION

This application contains subject matter related to the following co-pending U.S. design patent application: Application Ser. No. 29/518,111, filed herewith and entitled "Vehicle, Toy, and/or Replicas Thereof". FIG. 1 is a front view of a rear door for a vehicle according to the design; FIG. 2 is a left perspective view thereof; FIG. 3 is a right perspective view thereof; FIG. 4 is a left side view thereof; FIG. 5 is a right side view thereof; FIG. 6 is a top view thereof; FIG. 7 is a bottom view thereof; and, FIG. 8 is a rear view thereof. The broken lines shown in the figures are for the purpose of illustrating unclaimed portions of the rear door for a vehicle and form no part of the claimed design.

1 Claim, 6 Drawing Sheets



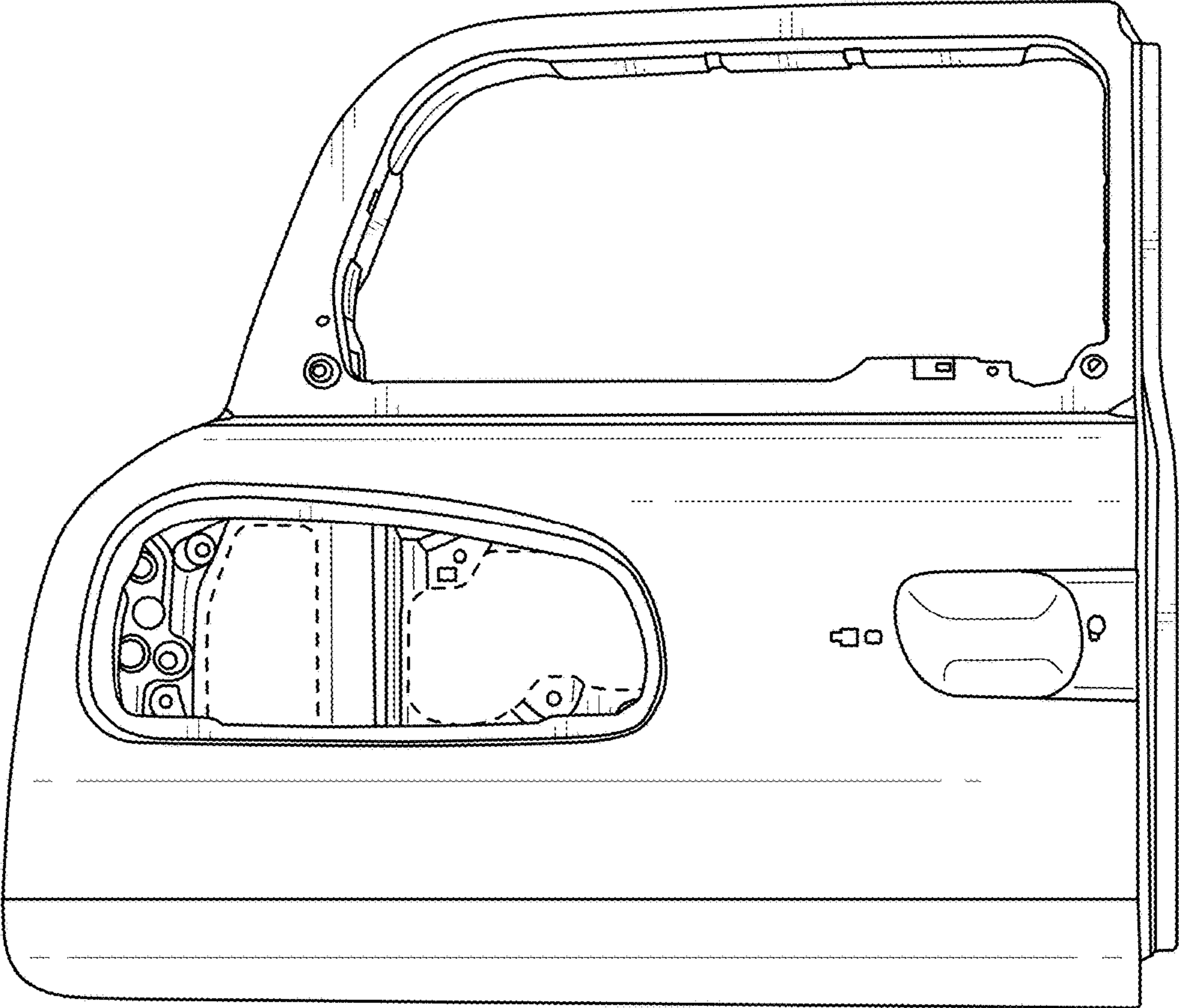


FIG. 1

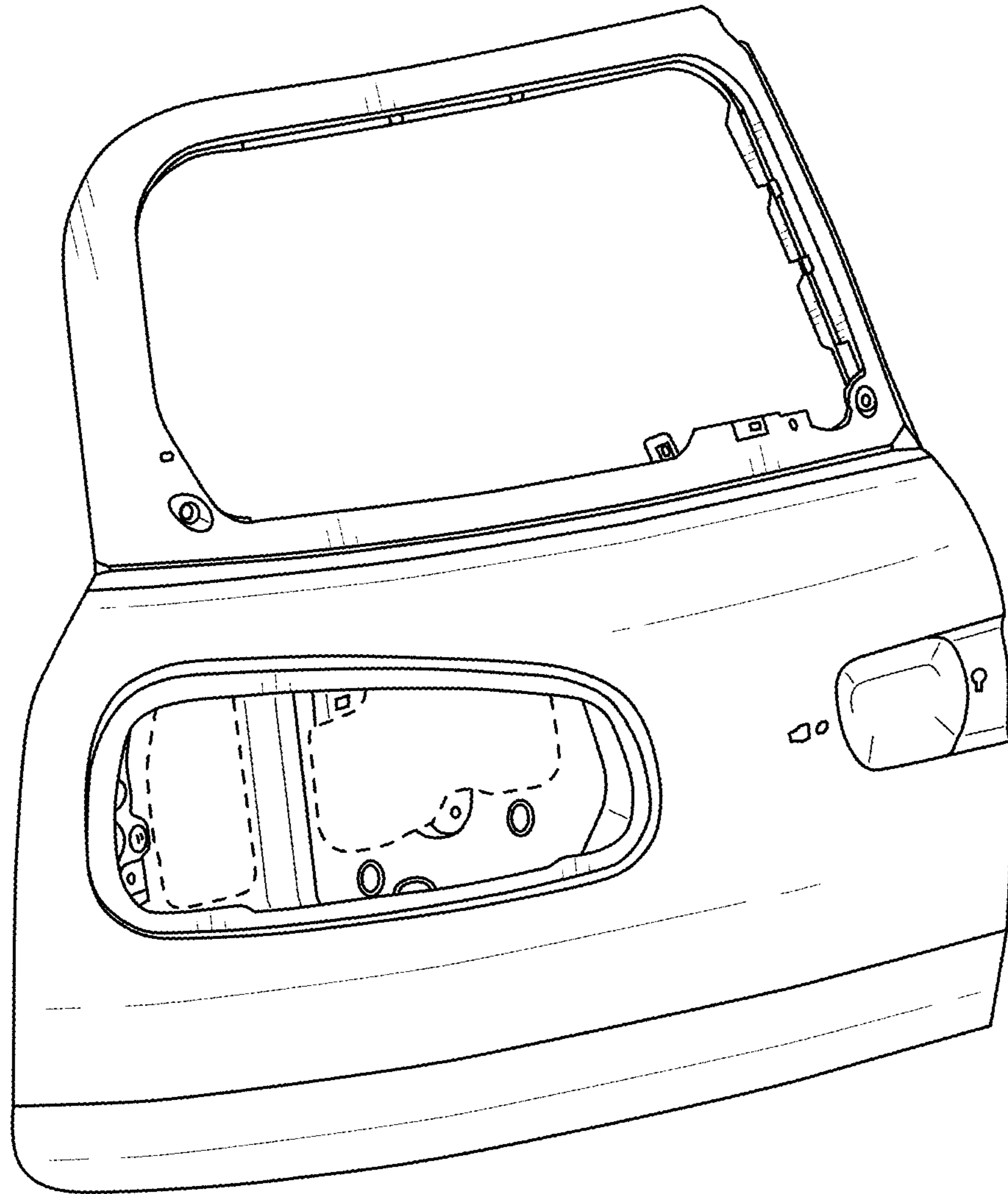


FIG. 2

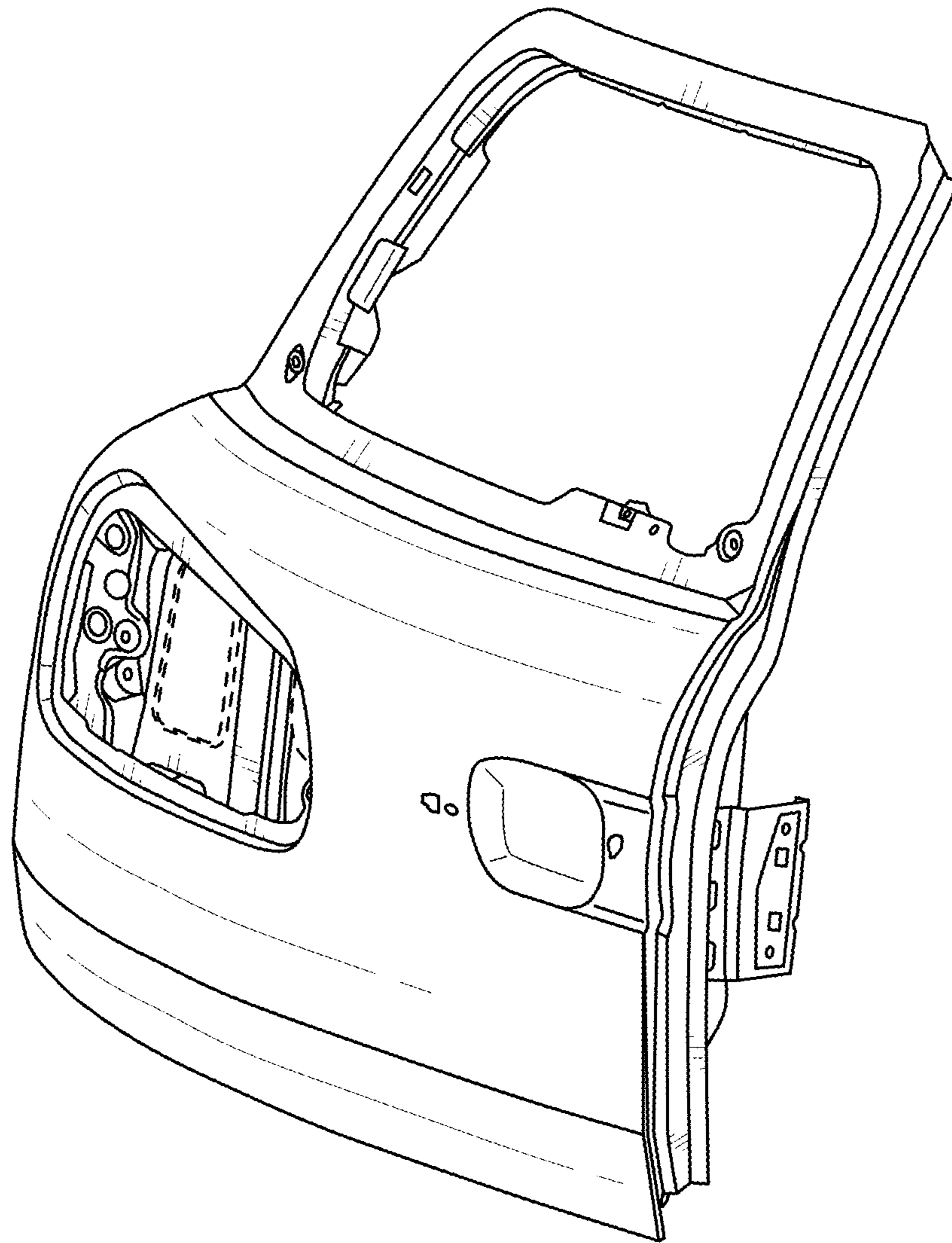


FIG. 3

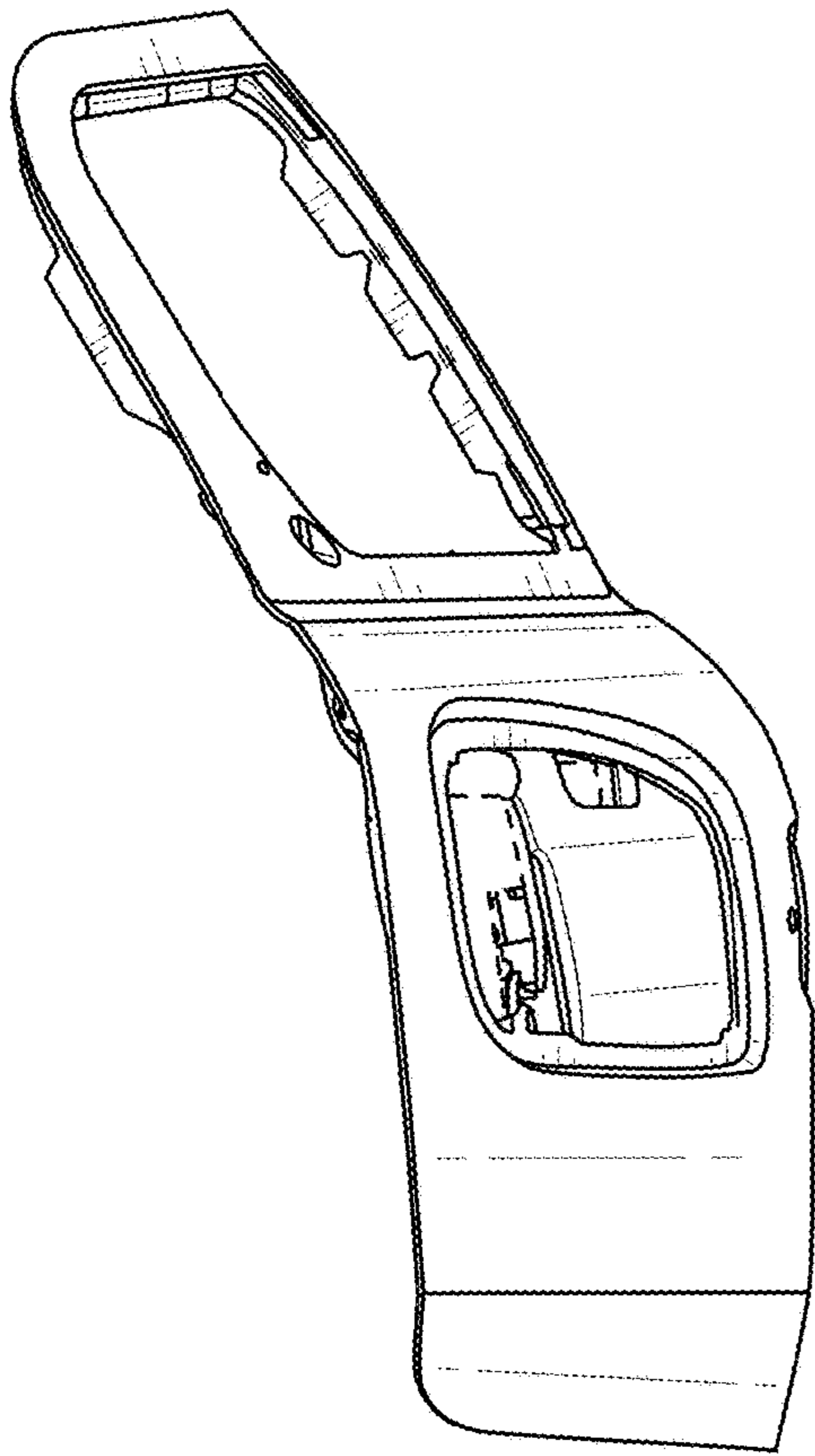


FIG. 4

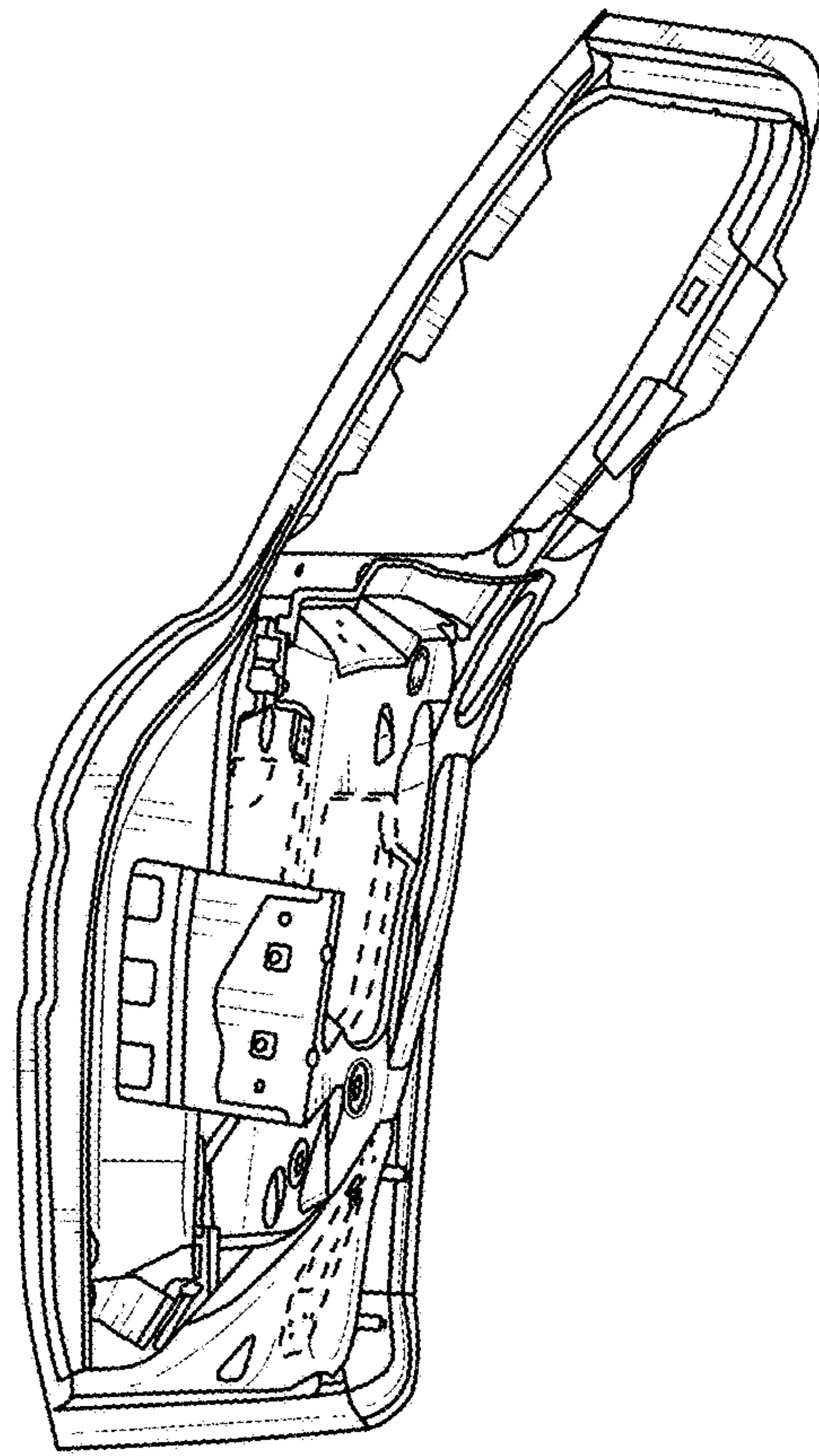


FIG. 5

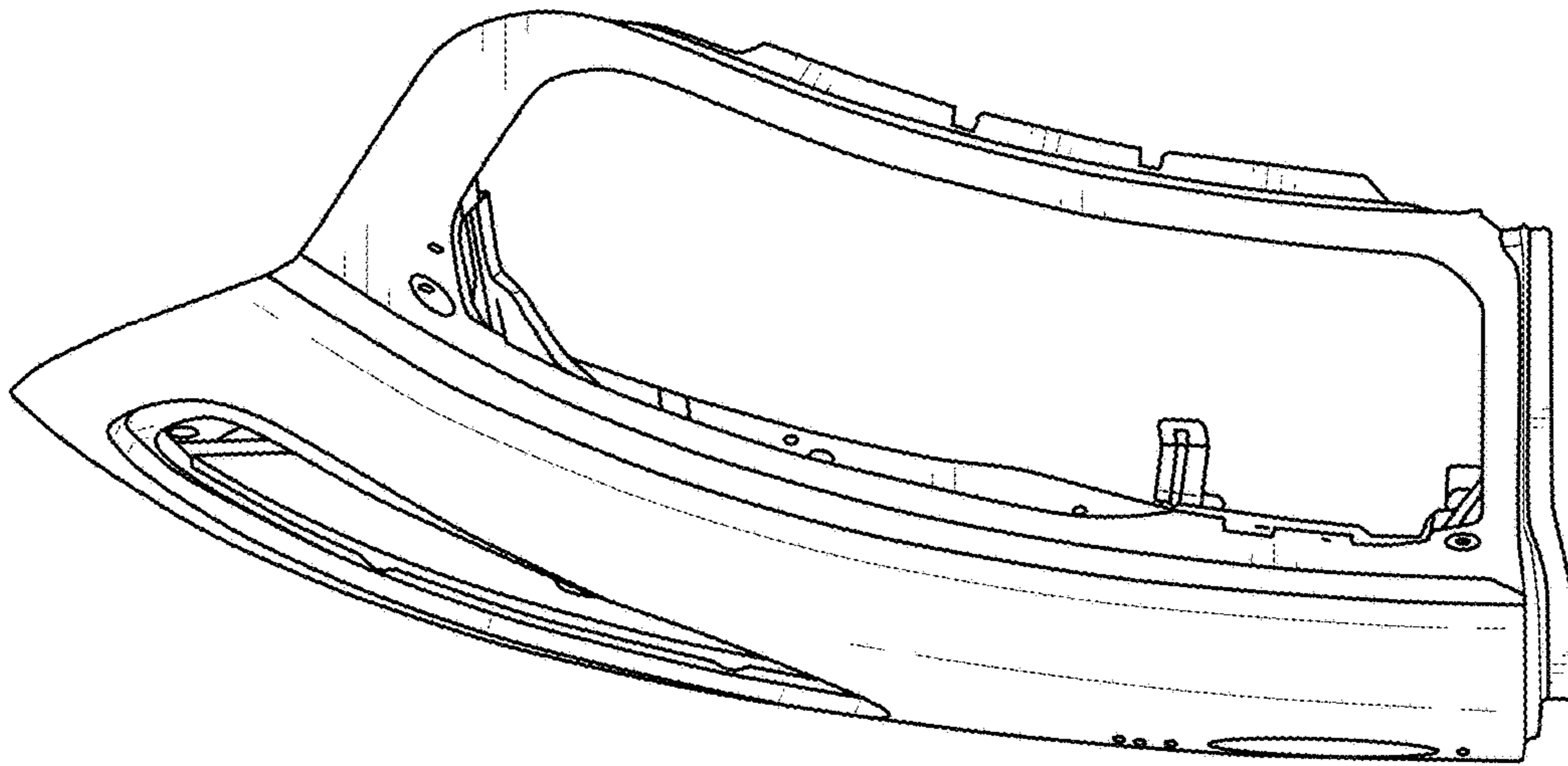


FIG. 6

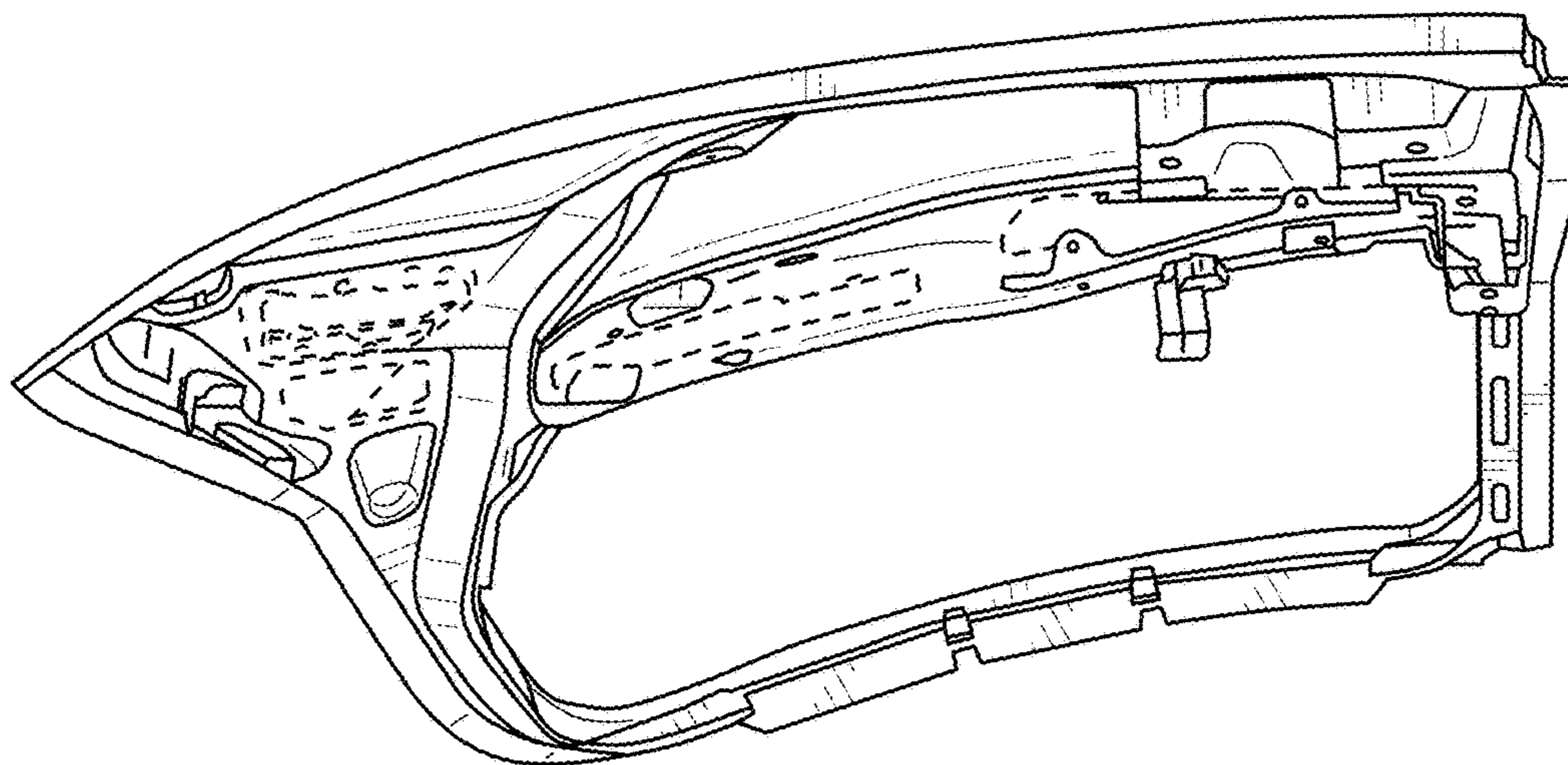


FIG. 7

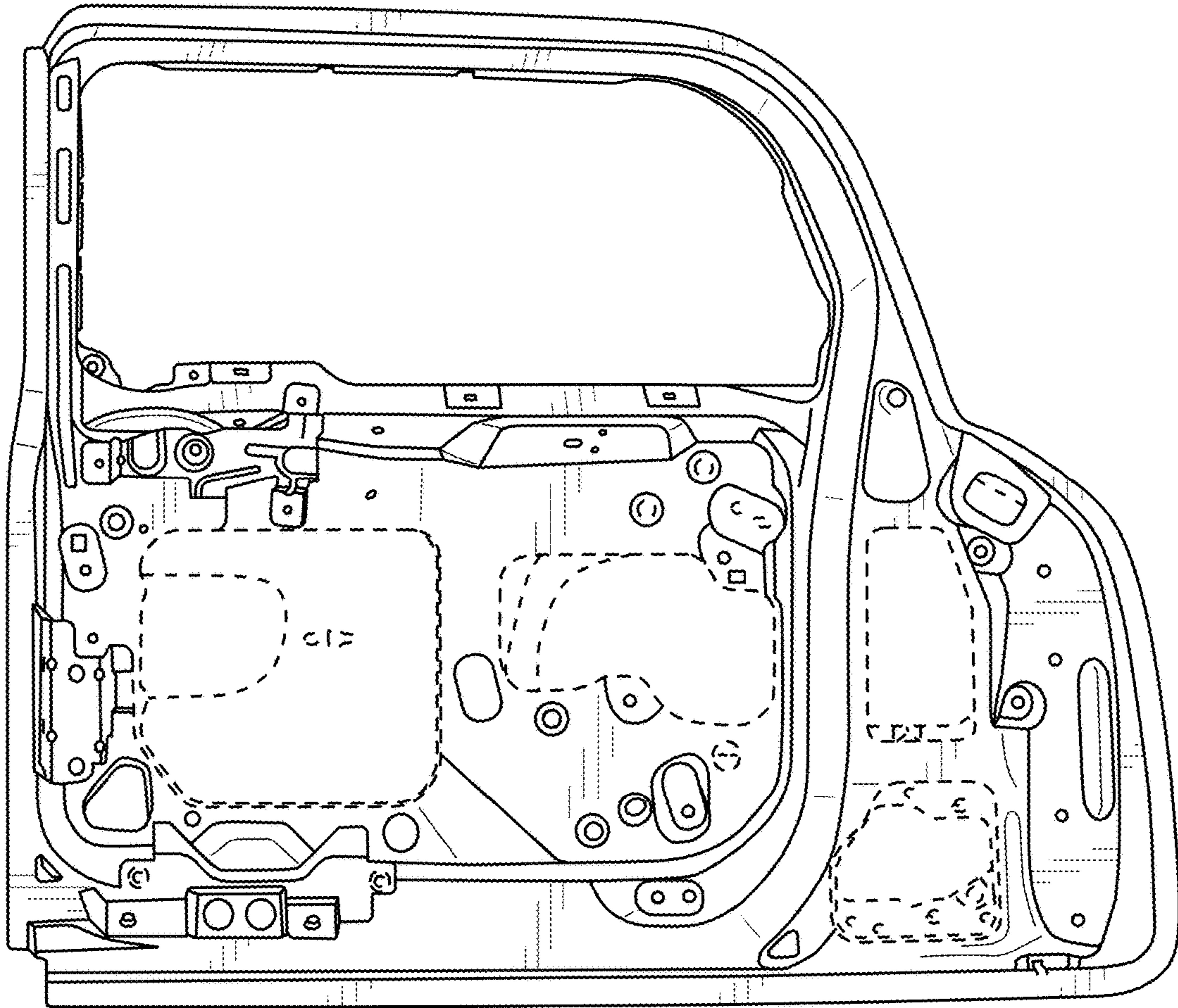


FIG. 8