



US00D777632S

(12) **United States Design Patent** (10) **Patent No.:** **US D777,632 S**  
**Perez et al.** (45) **Date of Patent:** **\*\* Jan. 31, 2017**

(54) **LICENSE PLATE FRAME WITH FOOTBALL HELMET FACE MASK AND TEAM ID PLATES**

(71) Applicants: **Paul A. Perez**, Elk Grove, CA (US);  
**Reuben D. Nathan**, Newport Beach, CA (US)

(72) Inventors: **Paul A. Perez**, Elk Grove, CA (US);  
**Reuben D. Nathan**, Newport Beach, CA (US)

(\*\*) Term: **14 Years**

(21) Appl. No.: **29/507,293**

(22) Filed: **Oct. 26, 2014**

(51) **LOC (10) Cl.** ..... **12-16**

(52) **U.S. Cl.**  
USPC ..... **D12/193**

(58) **Field of Classification Search**  
USPC ..... D12/193, 162, 400; D29/111; D20/13,  
D20/29, 27; D6/300, 301, 303, 309,  
D6/310-314  
CPC .. B06R 13/10; B06R 13/105; B60R 2011/004;  
G09F 21/04  
See application file for complete search history.

(56) **References Cited**

U.S. PATENT DOCUMENTS

4,233,687	A *	11/1980	Lancellotti	.....	A42B 3/20 2/424
4,837,866	A *	6/1989	Rector	.....	A42B 3/20 2/424
5,661,849	A *	9/1997	Hicks	.....	A42B 3/20 2/424
D663,663	S *	7/2012	Perez	.....	D12/193
D677,204	S *	3/2013	Perez	.....	D12/193
D714,697	S *	10/2014	Perez	.....	D12/193
2010/0251464	A1 *	10/2010	Parisi	.....	A42B 3/20 2/424
2012/0011686	A1 *	1/2012	Duong	.....	A42B 3/20 24/489

2012/0124720	A1 *	5/2012	Evans	.....	A42B 3/046 2/424
2012/0210482	A1 *	8/2012	Polstein	.....	A42B 3/20 2/9
2014/0020153	A1 *	1/2014	Romanski	.....	A42B 1/004 2/206

(Continued)

OTHER PUBLICATIONS

Champro Softball Defensive Facemask "The Grill" —Youth, posted on amazon.com, earliest product review posted Apr. 12, 2014, [online], [site visited Aug. 17, 2016], Available from Internet, <URL: <https://www.amazon.com/Champro-Softball-Defensive-Facemask-Grill/dp/B00HNV7NOK>>.\*

(Continued)

*Primary Examiner* — Eric Goodman  
*Assistant Examiner* — Fritzgerald Butac  
(74) *Attorney, Agent, or Firm* — William L. Chapin

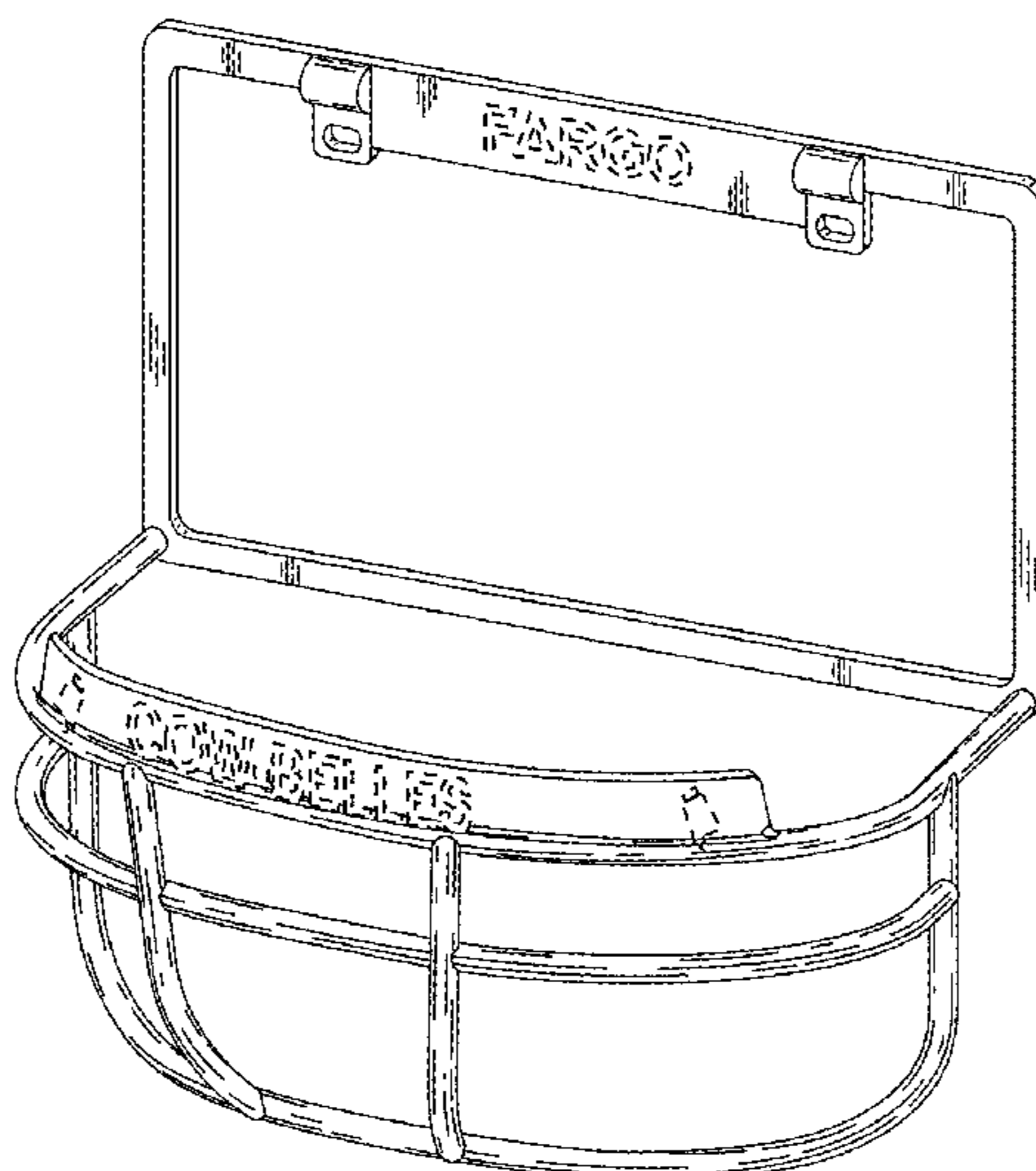
(57) **CLAIM**

The ornamental design for a license plate frame with football helmet face mask and team ID plates, as shown and described.

**DESCRIPTION**

FIG. 1 is a front perspective view of a license plate frame with football helmet face mask and team ID plates according to the present invention.  
FIG. 2 is a front elevation view thereof.  
FIG. 3 is a right side elevation view thereof, the left side elevation view being a mirror image thereof.  
FIG. 4 is a top view thereof.  
FIG. 5 is a bottom view thereof; and,  
FIG. 6 is a rear elevation view thereof.  
The broken line showing is for the purpose of illustrating environmental subject matter and forms no part of the claimed design.

**1 Claim, 3 Drawing Sheets**



(56)

**References Cited**

U.S. PATENT DOCUMENTS

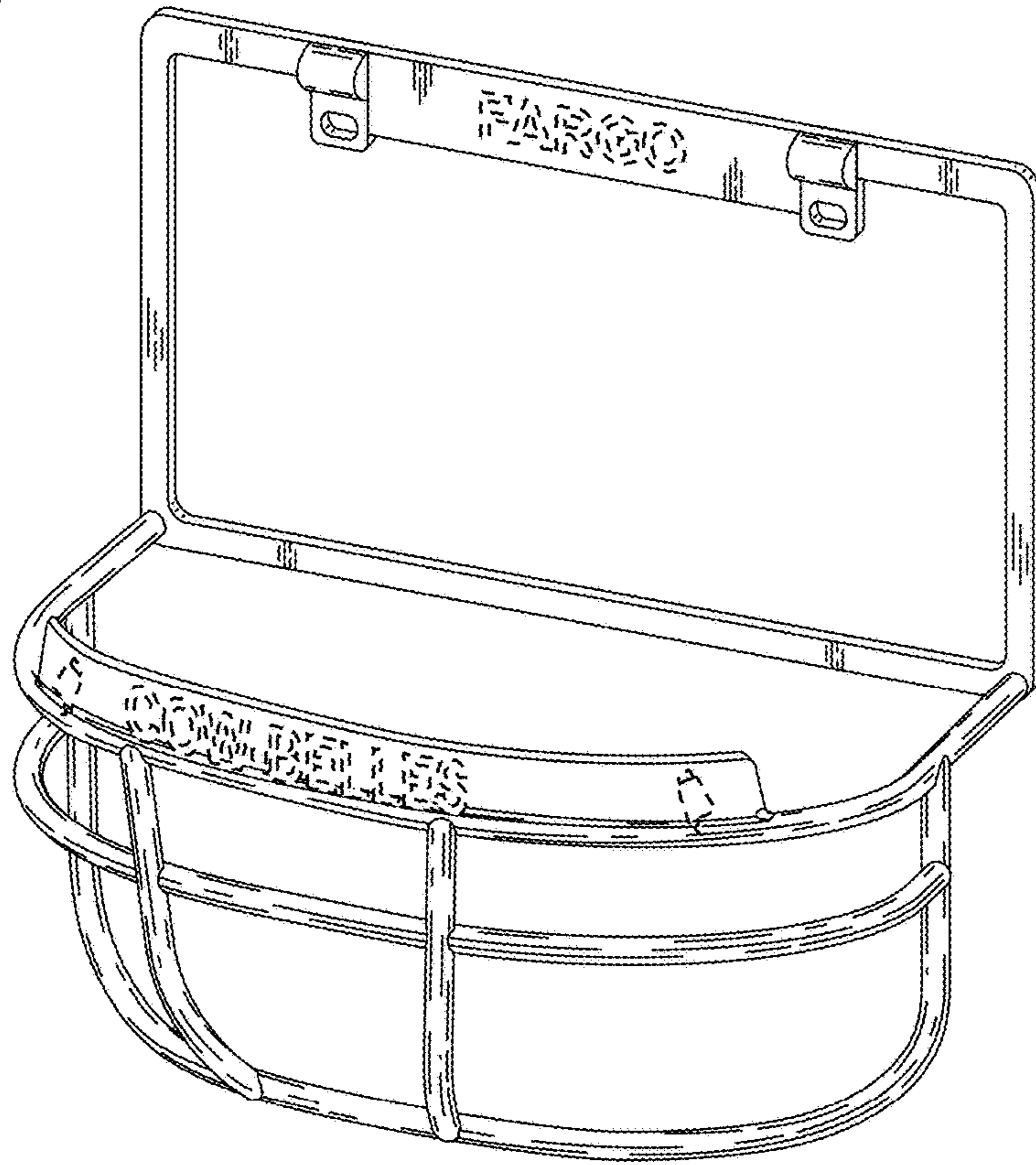
2015/0272258 A1\* 10/2015 Preisler ..... A42B 3/127  
2/412  
2016/0157541 A1\* 6/2016 Romanski ..... A42B 1/004  
2/206

OTHER PUBLICATIONS

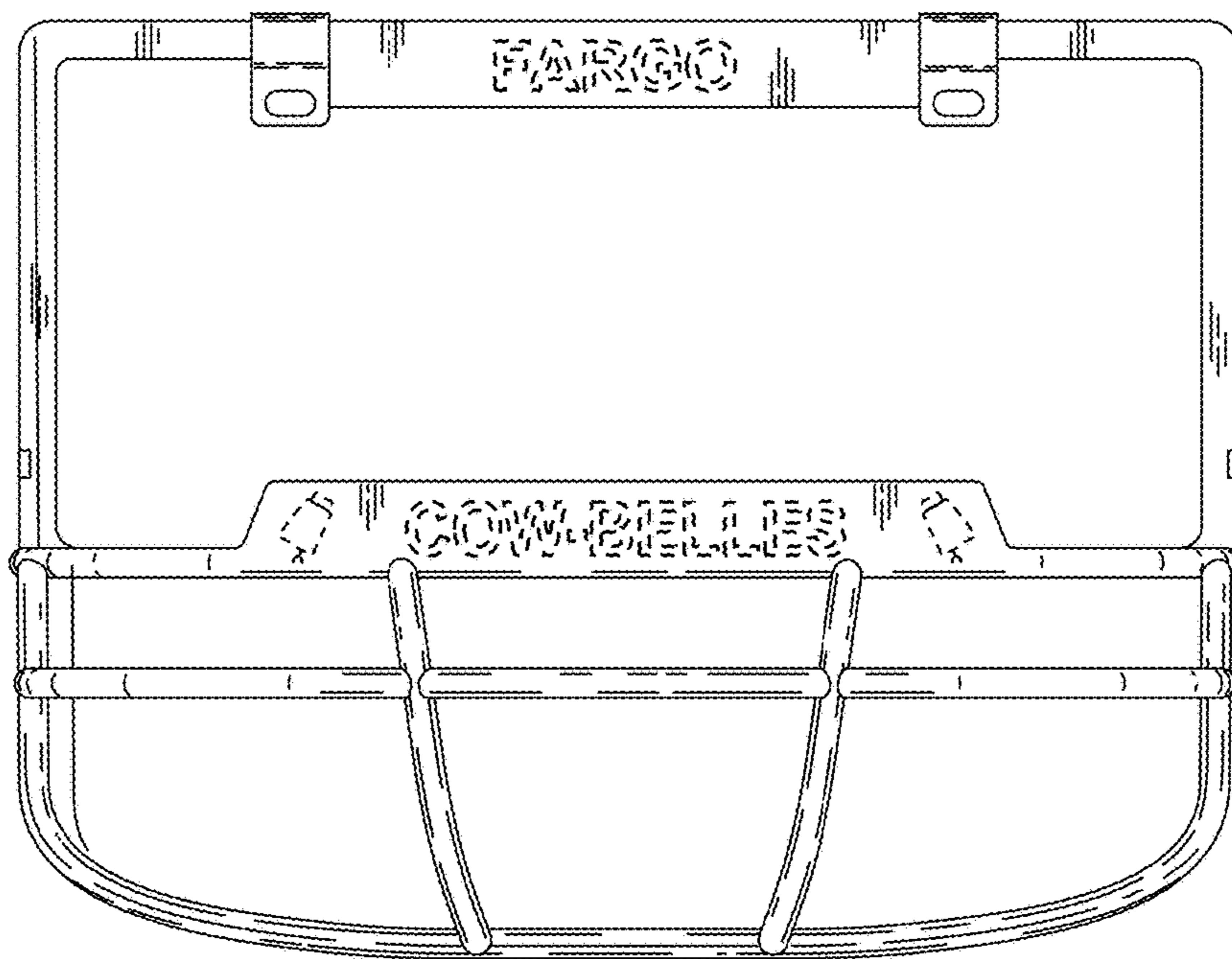
Interview on 4Bumpers, posted at youtube.com, posted Feb. 24, 2010, [online], [site visited Aug. 17, 2016], Available from internet, <URL: [https://www.youtube.com/watch?v=B\\_0I-806nFU](https://www.youtube.com/watch?v=B_0I-806nFU)>.\*

\* cited by examiner

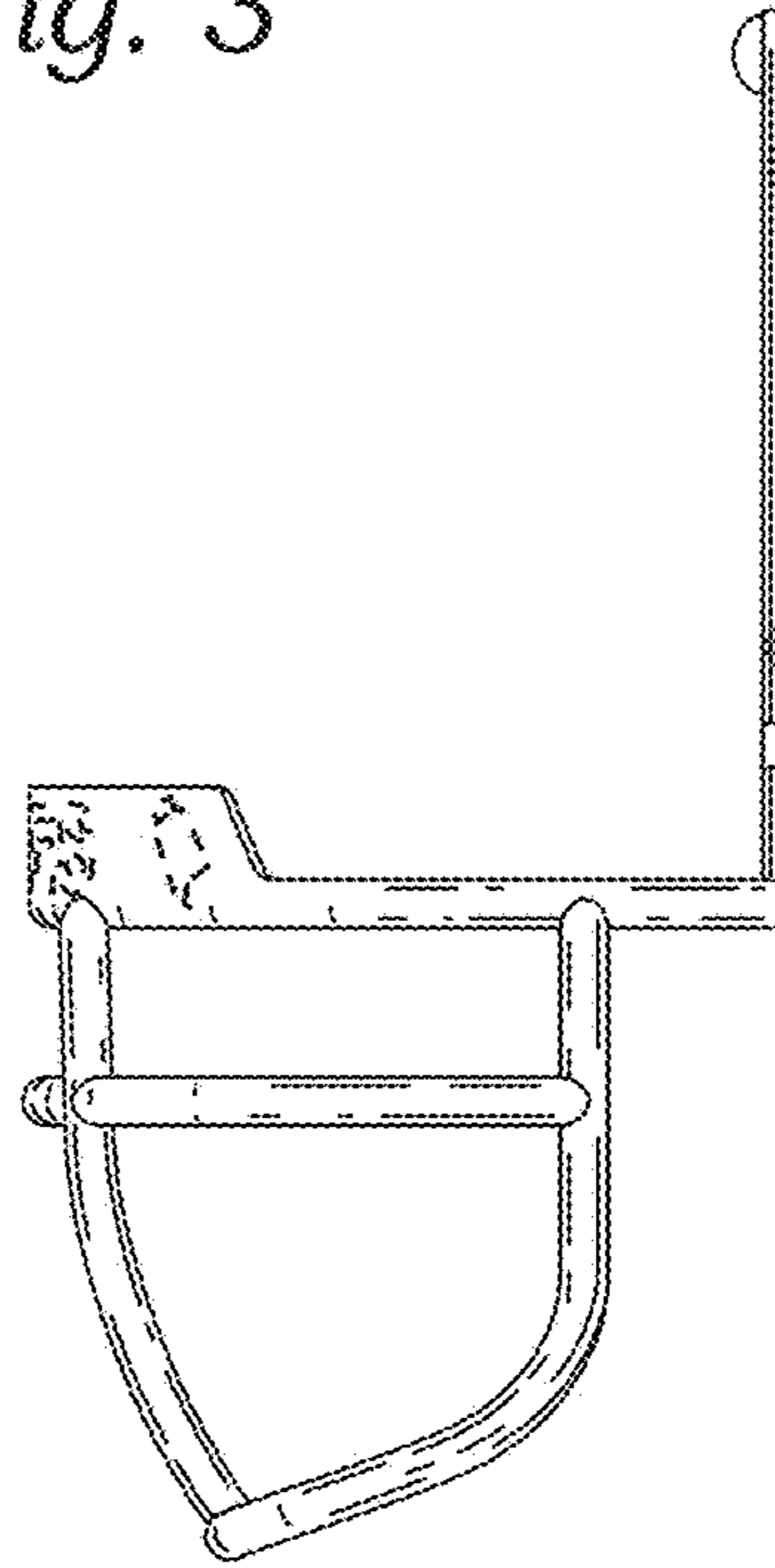
*Fig. 1*



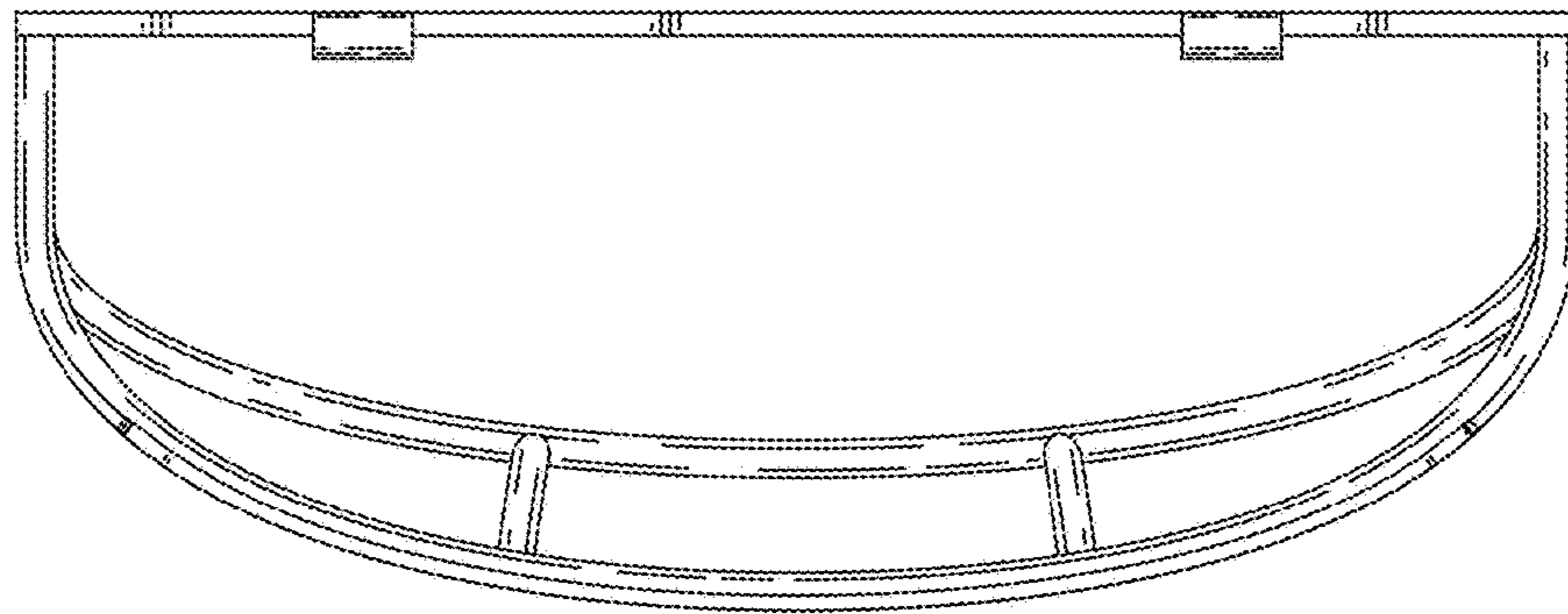
*Fig. 2*



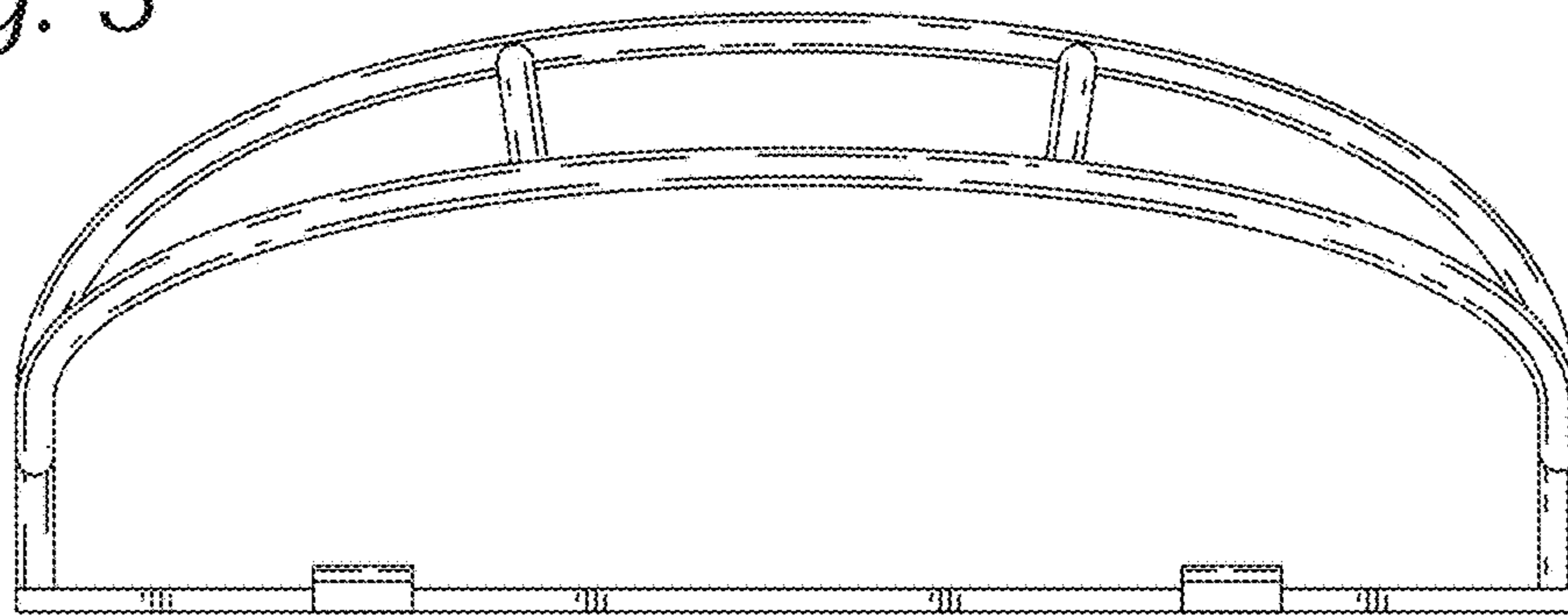
*Fig. 3*



*Fig. 4*



*Fig. 5*



*Fig. 6*

