



US00D777630S

(12) **United States Design Patent**
Brester et al.

(10) **Patent No.:** **US D777,630 S**

(45) **Date of Patent:** **** Jan. 31, 2017**

(54) **ARM AND BASE FOR VEHICLE MIRROR**

6,325,518 B1 * 12/2001 Whitehead B60R 1/078
248/478

(71) Applicants: **Robert R. Brester**, New Berlin, WI
(US); **James A. Wollmer**, Menomonee
Falls, WI (US); **Marc J. Robert**,
Mukwonago, WI (US); **Peter J.**
Whitehead, Grafton, WI (US)

D452,671 S * 1/2002 Lang D12/187
D466,455 S * 12/2002 Kidd D12/187
6,554,436 B1 * 4/2003 Lang B60R 1/0605
359/841

(72) Inventors: **Robert R. Brester**, New Berlin, WI
(US); **James A. Wollmer**, Menomonee
Falls, WI (US); **Marc J. Robert**,
Mukwonago, WI (US); **Peter J.**
Whitehead, Grafton, WI (US)

D504,092 S * 4/2005 Lang D12/187
D505,897 S * 6/2005 Wade D12/188
6,962,422 B1 * 11/2005 Englander B60R 1/0605
248/478

D530,248 S * 10/2006 Branham D12/187
D545,741 S * 7/2007 Branham D12/187
D552,020 S * 10/2007 Hofle D12/187

(Continued)

Primary Examiner — Darlington Ly

(73) Assignee: **VELVAC INCORPORATED**, New
Berlin, WI (US)

(74) *Attorney, Agent, or Firm* — Schiff Hardin LLP

(**) Term: **14 Years**

(57) **CLAIM**

(21) Appl. No.: **29/510,608**

The ornamental design for an arm and base for vehicle
mirror, as shown and described.

(22) Filed: **Dec. 1, 2014**

DESCRIPTION

(51) **LOC (10) Cl.** **12-16**

(52) **U.S. Cl.**

USPC **D12/187**

(58) **Field of Classification Search**

USPC D12/96, 187–189; D6/300, 309; 248/478,
248/549, 900; 359/841, 872, 873

CPC B60R 1/00; B60R 1/006; B60R 1/06;
B60R 1/0605; B60R 1/076

See application file for complete search history.

FIG. 1 is a perspective view taken generally from the upper,
front, left-hand side of the arm and base for vehicle mirror
of the present invention;

FIG. 2 is a front elevational view thereof, the back eleva-
tional view being a mirror image of the front elevational
view and thus not shown;

FIG. 3 is a side elevational view of the left side thereof;

FIG. 4 is a side elevational view of the right side thereof;

FIG. 5 is a top plan view thereof; and,

FIG. 6 is a bottom plan view thereof.

The broken lines showing the vehicle mirror is provided for
the purpose of illustrating environmental structure and forms
no part of the claimed design. All other broken lines in the
drawings illustrate portions of the article, or the arm and
base for vehicle mirror, that forms no part of the claimed
design.

(56) **References Cited**

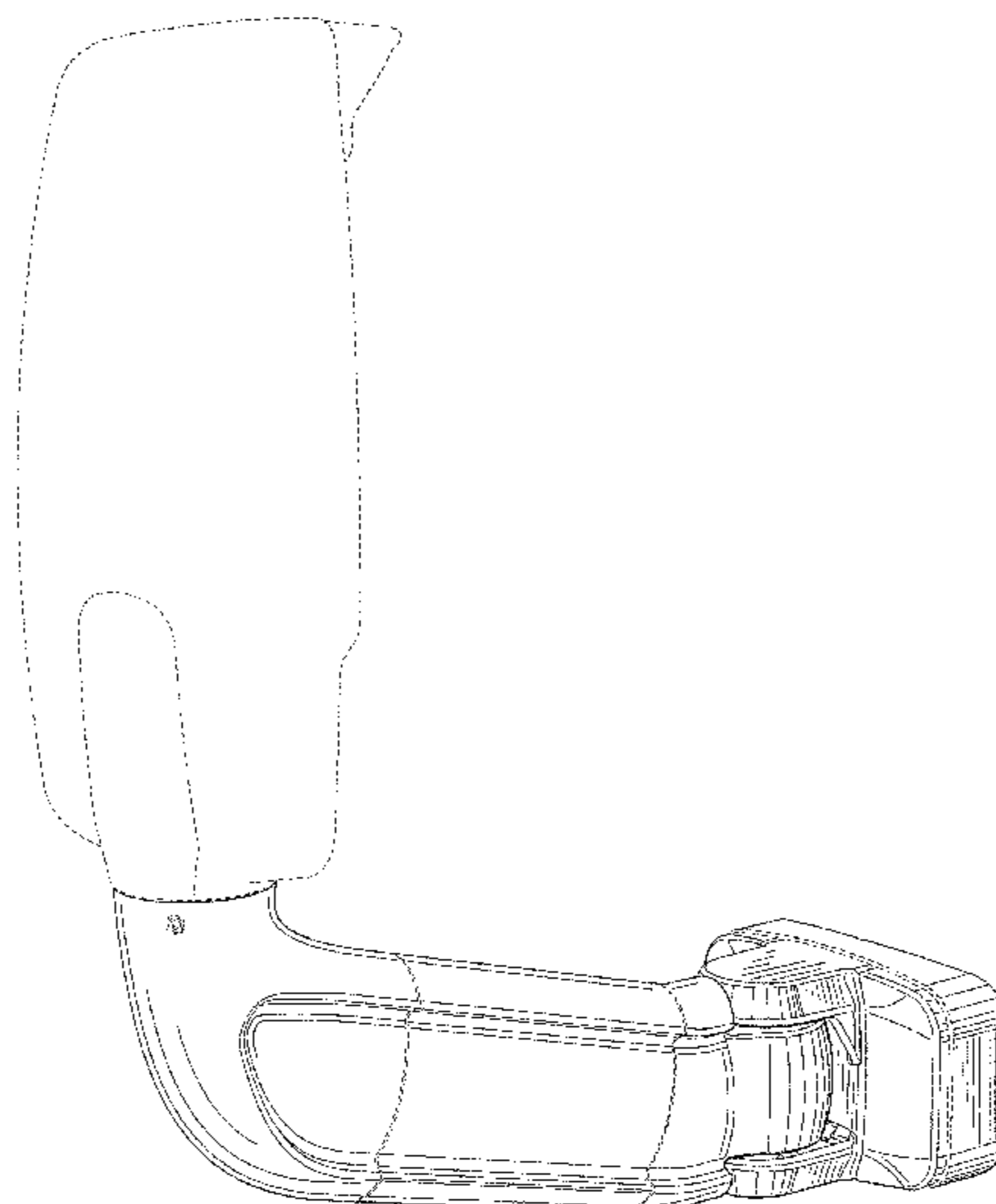
U.S. PATENT DOCUMENTS

5,621,577 A * 4/1997 Lang B60R 1/0605
248/479

5,798,882 A * 8/1998 Lang B60R 1/0605
248/479

6,239,928 B1 * 5/2001 Whitehead B60R 1/078
359/871

1 Claim, 6 Drawing Sheets



(56)

References Cited

U.S. PATENT DOCUMENTS

D579,840 S *	11/2008	Scott	D12/187
D581,333 S *	11/2008	Courbon	D12/187
D581,334 S *	11/2008	Courbon	D12/187
D607,389 S *	1/2010	Brester	D12/187
D633,424 S *	3/2011	Enz	D12/187
D643,354 S *	8/2011	Balicki	D12/187
D699,653 S *	2/2014	Markstaller	D12/187
D702,607 S *	4/2014	Hall	D12/187
D709,413 S *	7/2014	Platto	D12/187
2007/0211356 A1 *	9/2007	Brester	B60R 1/076 359/872
2010/0110188 A1 *	5/2010	Brester	B60R 1/00 348/148

* cited by examiner

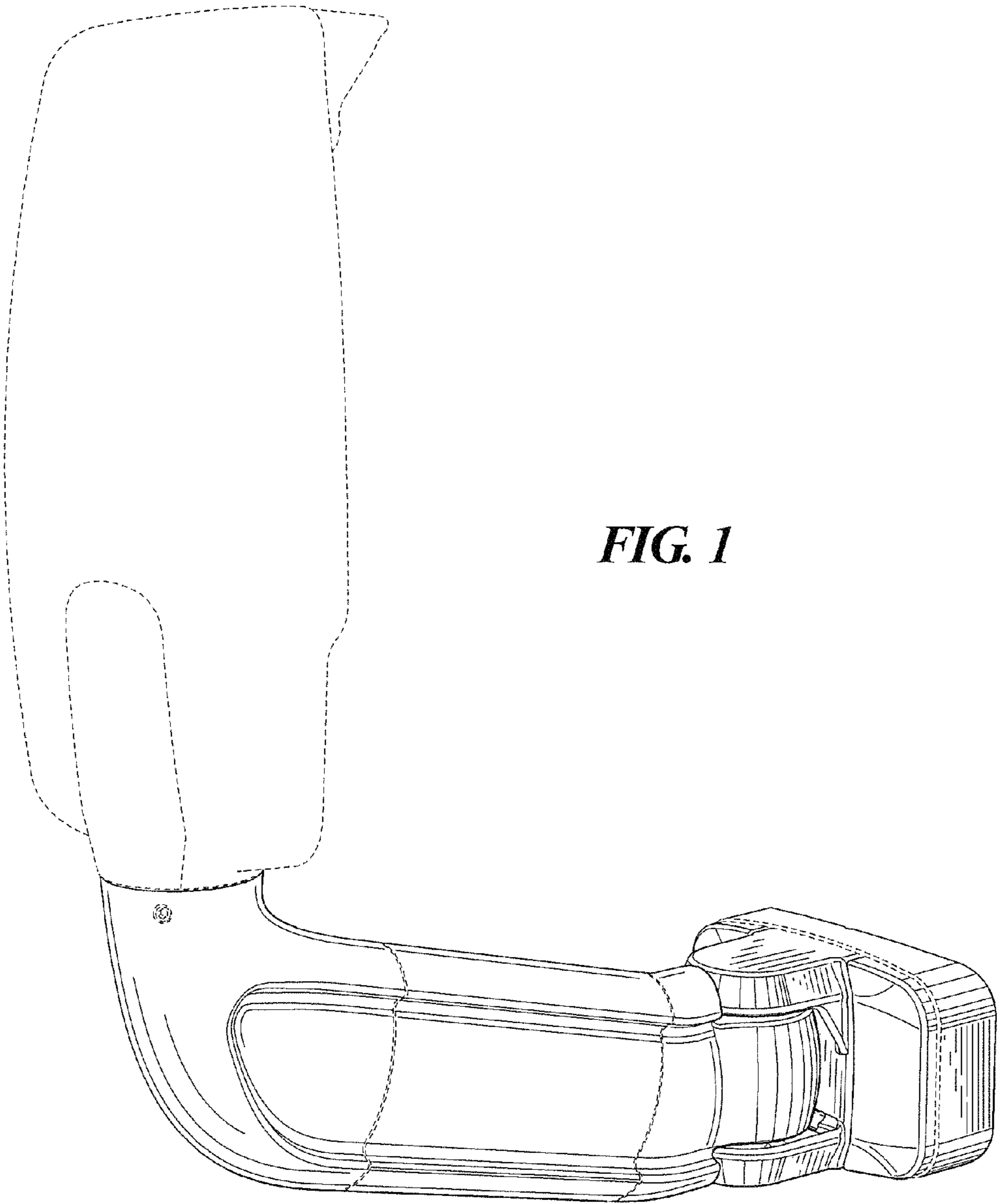


FIG. 1

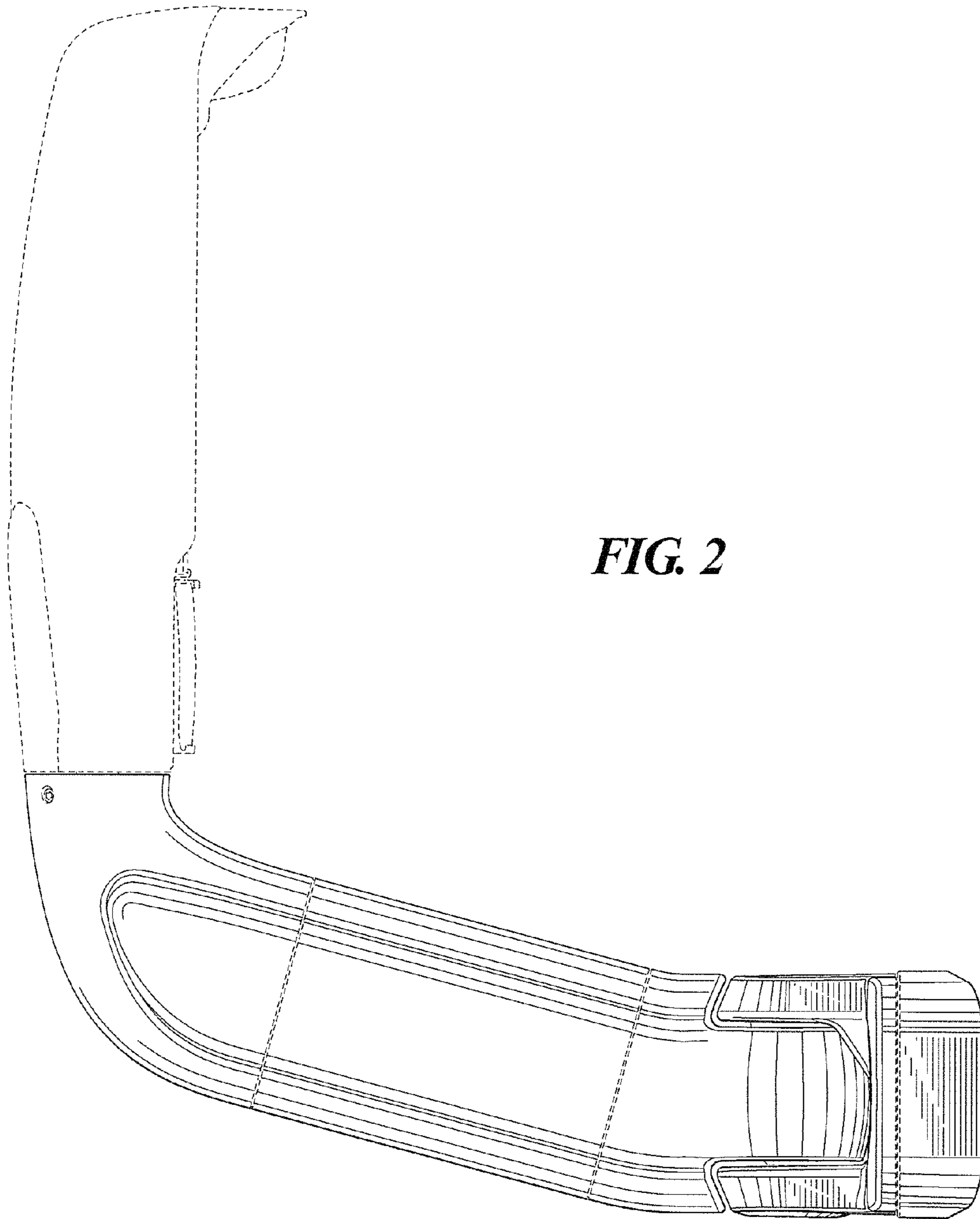


FIG. 2

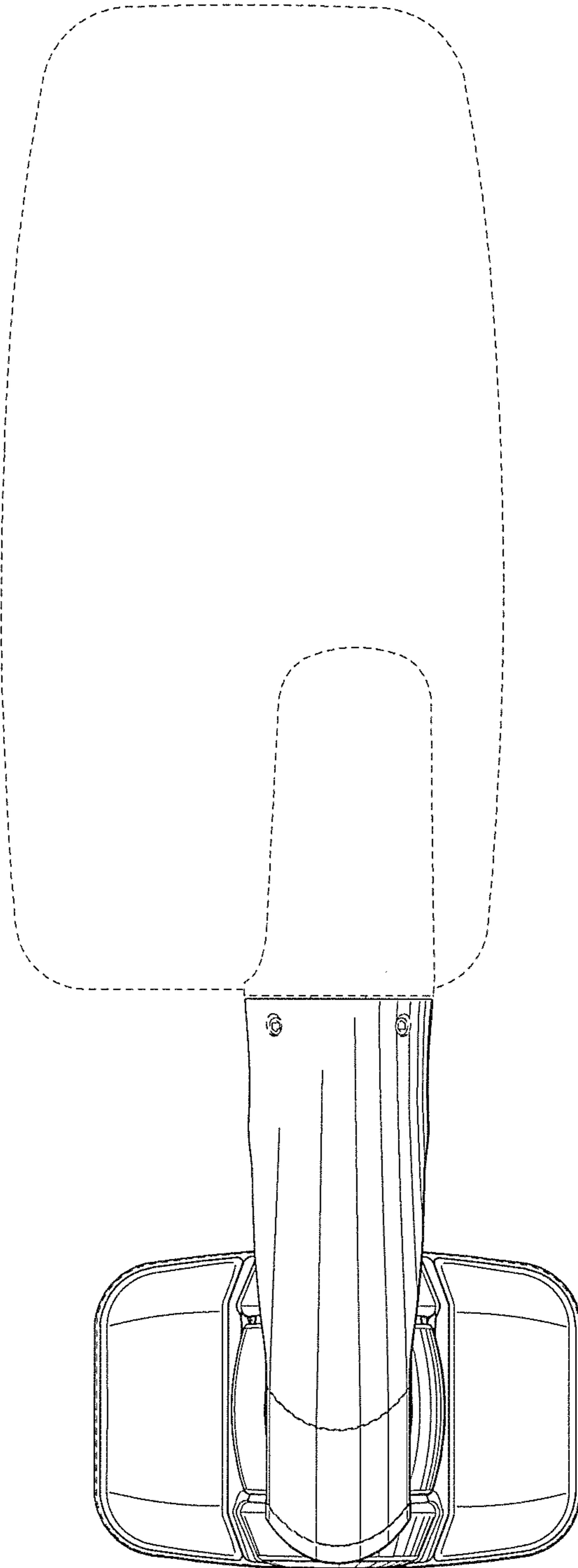
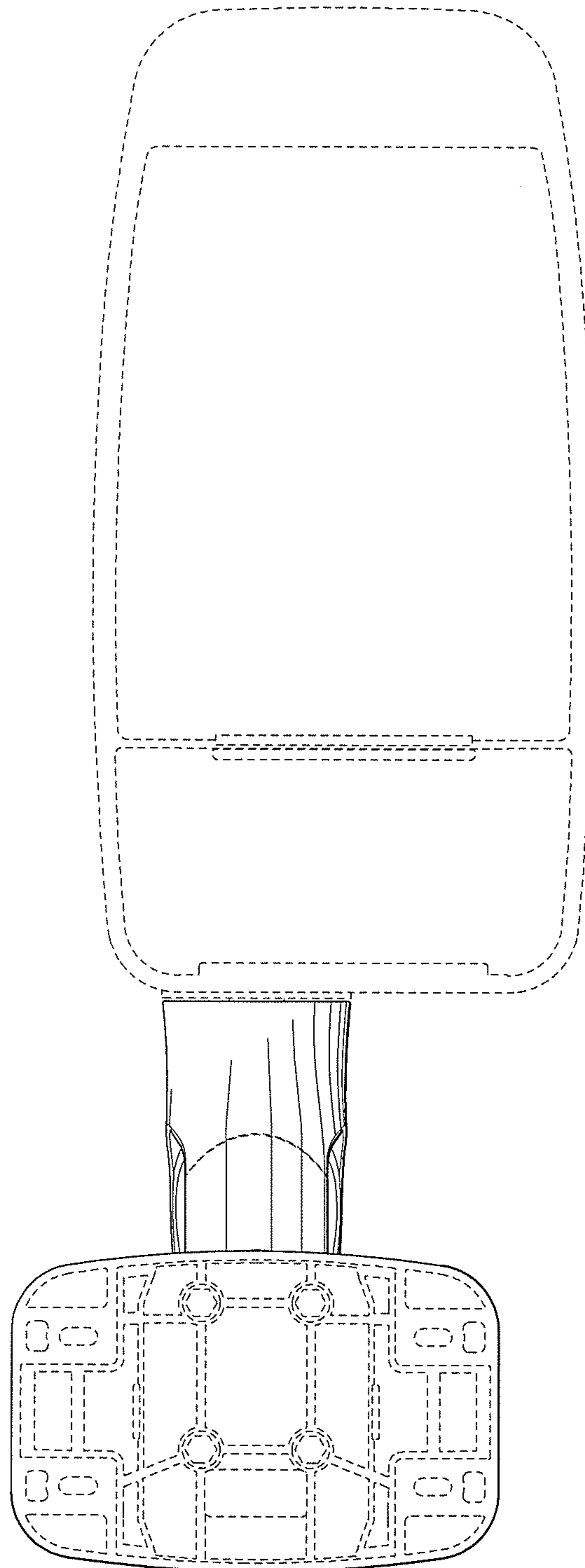


FIG. 3

FIG. 4



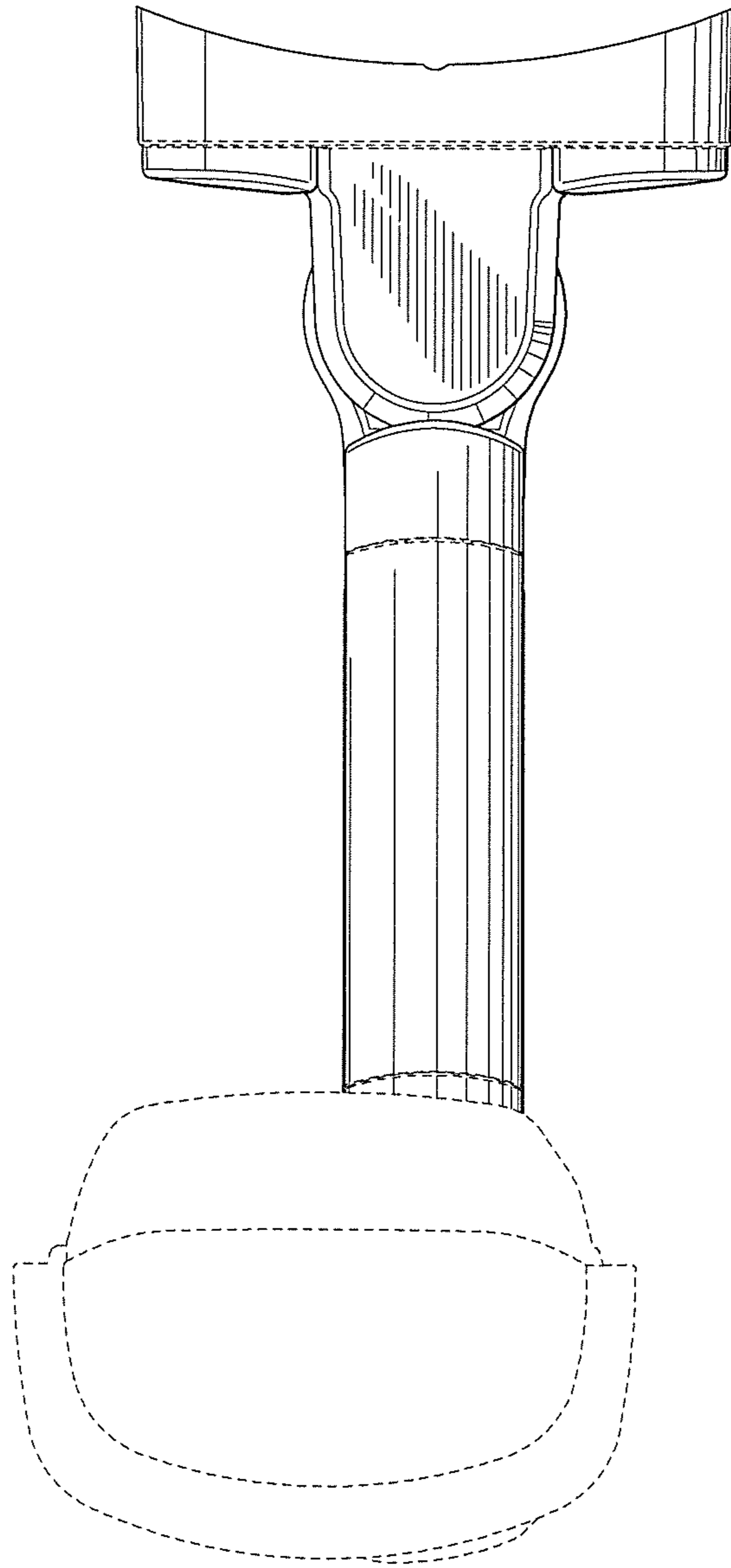


FIG. 5

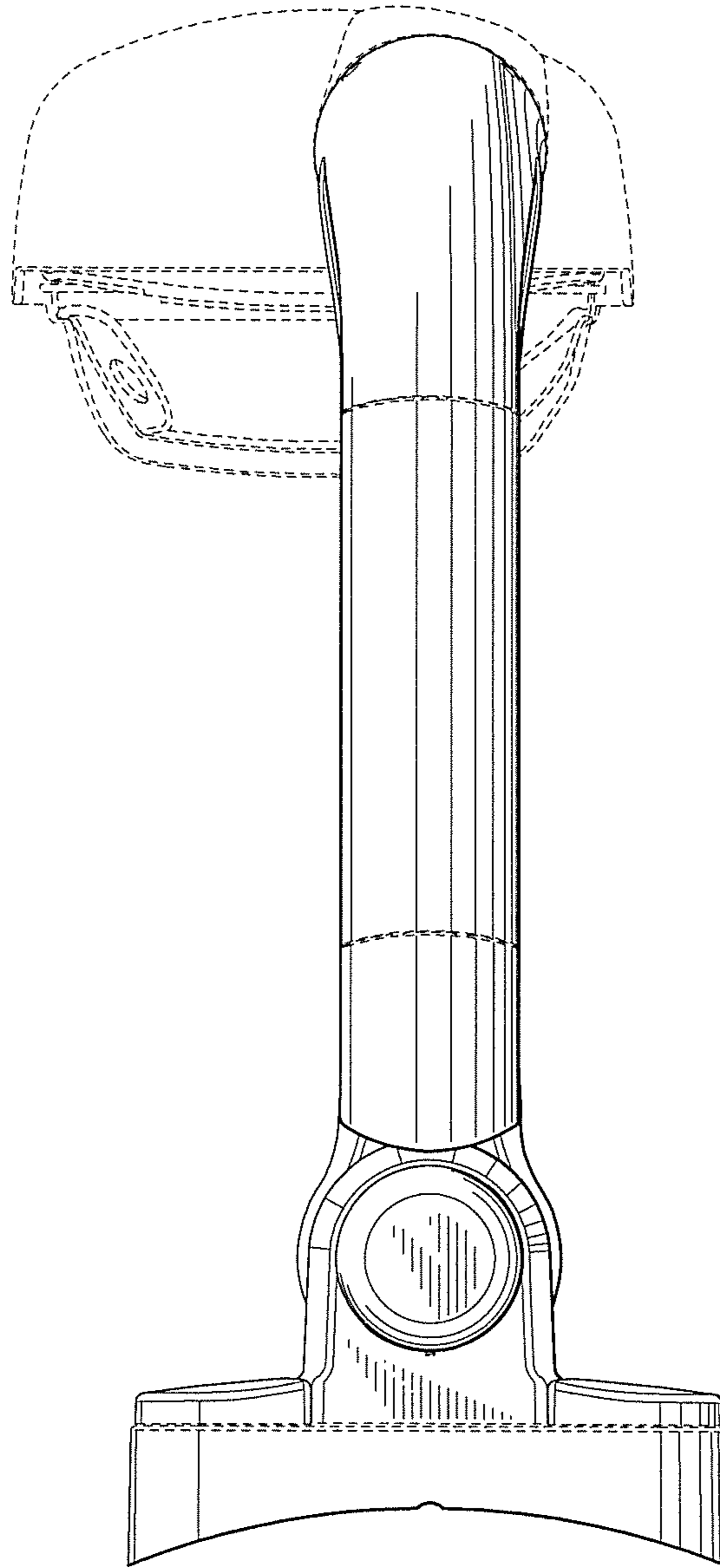


FIG. 6