



US00D777628S

(12) **United States Design Patent** (10) **Patent No.:** **US D777,628 S**
Kozub et al. (45) **Date of Patent:** **** Jan. 31, 2017**

(54) **VEHICLE SPOILER**

(71) Applicant: **GM GLOBAL TECHNOLOGY OPERATIONS LLC**, Detroit, MI (US)

(72) Inventors: **Timothy P. Kozub**, Troy, MI (US); **Stuart Cooper**, Bloomfield Hills, MI (US); **Jonghyuk Park**, Troy, MI (US)

(73) Assignee: **GM Global Technology Operations LLC**, Detroit, MI (US)

(**) Term: **15 Years**

(21) Appl. No.: **29/543,419**

(22) Filed: **Oct. 23, 2015**

(51) **LOC (10) Cl.** **12-08**

(52) **U.S. Cl.**
 USPC **D12/181**

(58) **Field of Classification Search**
 USPC D12/88, 90, 91, 169, 181, 191, 196;
 D21/522; 296/96, 180.1, 180.2; 293/113,
 293/115, 117, 120; 280/770
 CPC B60R 19/18; B60R 19/48; B62D 35/005;
 B62D 35/02
 See application file for complete search history.

D605,977 S 12/2009 Zipfel et al.
 D605,978 S 12/2009 Wolff et al.
 D606,917 S * 12/2009 Larson D12/181
 D606,918 S * 12/2009 Larson D12/181
 D608,249 S 1/2010 Peters
 D608,690 S 1/2010 Folden et al.
 D608,691 S 1/2010 Zak, Jr. et al.
 D609,608 S 2/2010 Boniface et al.
 D611,387 S 3/2010 Thompson et al.
 D611,879 S 3/2010 Kim et al.
 D612,297 S 3/2010 Peters et al.
 D613,645 S 4/2010 Song et al.
 D615,458 S 5/2010 Thompson et al.
 D618,595 S 6/2010 Ware et al.
 D623,090 S 9/2010 Cox et al.
 D627,262 S 11/2010 Ikeda et al.
 D635,488 S 4/2011 Phipps
 D644,147 S 8/2011 Suh et al.
 D644,567 S 9/2011 Kozub
 D657,718 S 4/2012 Zipfel et al.
 D659,052 S 5/2012 Ware et al.

(Continued)

Primary Examiner — Rosemary K Tarcza
Assistant Examiner — Yolanda Robinson
 (74) *Attorney, Agent, or Firm* — Reising Ethington P.C.

(57) **CLAIM**

The ornamental design for a vehicle spoiler, as shown and described.

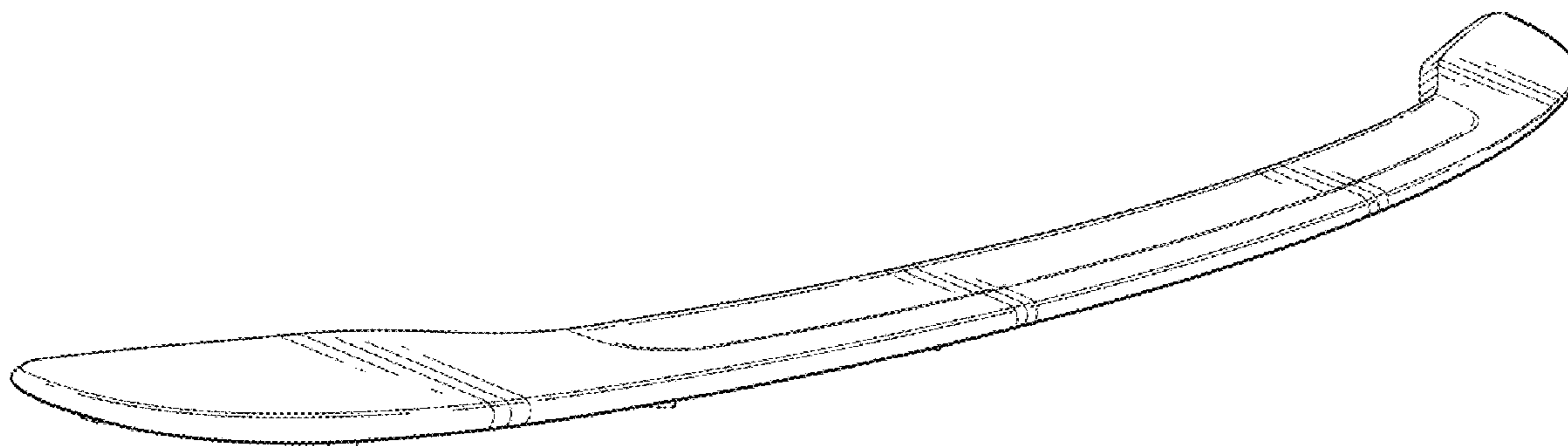
DESCRIPTION

FIG. 1 is a perspective view of the vehicle spoiler;
 FIG. 2 is a left side elevation view thereof (where the right side elevation view is omitted because the right side elevation view is identical to the left side elevation view);
 FIG. 3 is a top plan view thereof; and,
 FIG. 4 is a front view thereof.
 The broken lines shown in the drawings depict portions of the vehicle spoiler that form no part of the claimed design.

1 Claim, 1 Drawing Sheet

(56) **References Cited**
 U.S. PATENT DOCUMENTS

D570,742 S	6/2008	Takagi et al.
D592,105 S	5/2009	Dean et al.
D597,447 S	8/2009	Folden
D600,595 S	9/2009	Nakamura et al.
D601,925 S	10/2009	O'Donnell
D603,755 S	11/2009	Peters
D604,203 S	11/2009	O'Donnell
D605,082 S	12/2009	Munson
D605,083 S	12/2009	Manoogian, II et al.



(56)

References Cited

U.S. PATENT DOCUMENTS

D659,053 S 5/2012 Ware et al.
 D668,182 S 10/2012 Barba Franco et al.
 D668,183 S 10/2012 Smart
 D678,820 S 3/2013 Son et al.
 D678,821 S 3/2013 Ikeda et al.
 D680,909 S 4/2013 Munson et al.
 D680,910 S 4/2013 David
 D684,899 S 6/2013 Baker
 D685,703 S * 7/2013 Nemoto D12/181
 D686,536 S 7/2013 McCabe et al.
 D692,798 S 11/2013 Thurber
 D692,799 S 11/2013 Smith et al.
 D696,157 S 12/2013 Loeb
 D699,629 S 2/2014 Ikeda et al.
 D700,871 S 3/2014 O'Donnell et al.
 D703,103 S 4/2014 Lee
 D704,103 S 5/2014 Mack et al.
 D705,132 S 5/2014 Ware et al.
 D705,699 S 5/2014 Ware et al.
 D710,771 S * 8/2014 Hovind D12/181
 D713,298 S 9/2014 Dyson
 D713,764 S 9/2014 Ferlazzo et al.
 D715,710 S * 10/2014 Beaven D12/181
 D716,204 S * 10/2014 Butterworth D12/181
 D716,205 S * 10/2014 Callum D12/181
 D716,696 S 11/2014 Thole et al.
 D716,706 S 11/2014 Thole et al.
 D716,709 S 11/2014 Thole et al.
 D717,696 S 11/2014 Thole et al.
 D718,189 S 11/2014 Krieg et al.
 D718,683 S 12/2014 Thole et al.
 D722,282 S 2/2015 Loeb
 D722,533 S 2/2015 Thole et al.

D722,534 S 2/2015 Munson et al.
 D722,929 S * 2/2015 Hatter D12/181
 D724,510 S 3/2015 McMahan et al.
 D725,001 S 3/2015 McMahan et al.
 D725,559 S * 3/2015 Robinson D12/181
 8,991,899 B2 * 3/2015 Wild B62D 35/007
 296/180.5
 D726,591 S 4/2015 Jacob
 D726,608 S * 4/2015 Curic D12/181
 D726,609 S * 4/2015 Curic D12/181
 D727,227 S * 4/2015 Scheinhutte D12/181
 D727,809 S * 4/2015 Scheinhutte D12/181
 D730,776 S 6/2015 Smart
 D730,783 S 6/2015 Henriques et al.
 D732,427 S 6/2015 Loeb
 D732,429 S 6/2015 Loeb
 D732,430 S 6/2015 Loeb
 D732,431 S 6/2015 Loeb
 D732,432 S 6/2015 Aengenheyster
 D732,433 S 6/2015 Aengenheyster
 D732,435 S 6/2015 Mackay
 D733,002 S 6/2015 Loeb
 D735,611 S 8/2015 Aengenheyster
 D735,627 S 8/2015 Smith
 D736,451 S 8/2015 Smith
 D739,306 S 9/2015 McMahan et al.
 D739,317 S 9/2015 McMahan et al.
 D741,223 S 10/2015 Kim et al.
 D759,556 S * 6/2016 Wheel D12/181
 D763,751 S * 8/2016 Varga D12/181
 2014/0346810 A1 * 11/2014 Wild B62D 35/007
 296/180.5
 2016/0046334 A1 * 2/2016 Jeong F16H 37/14
 296/180.5

* cited by examiner

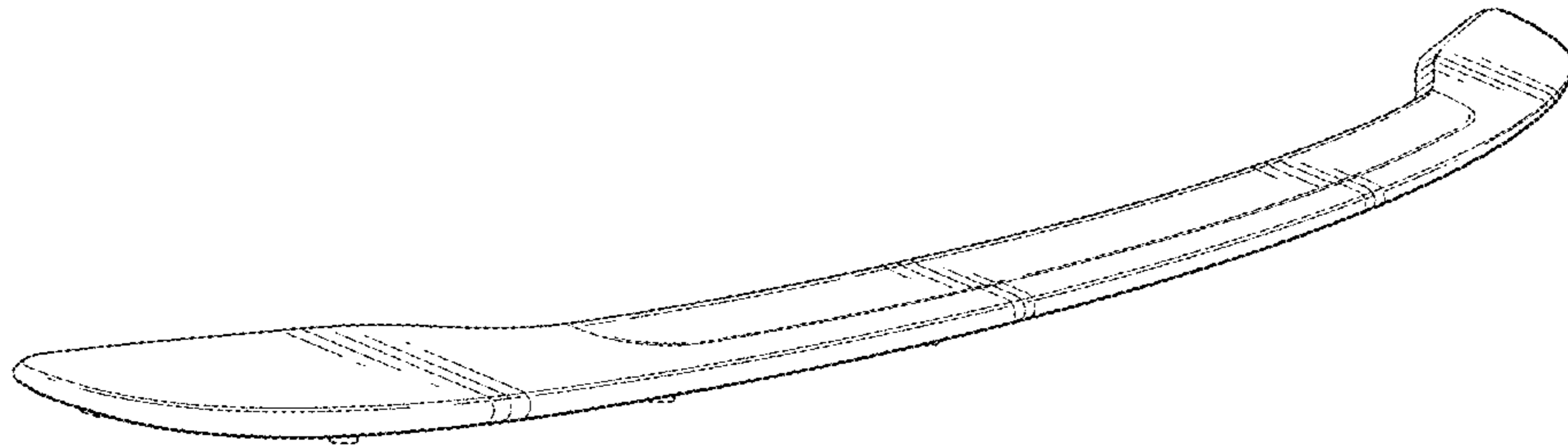


Fig. 1

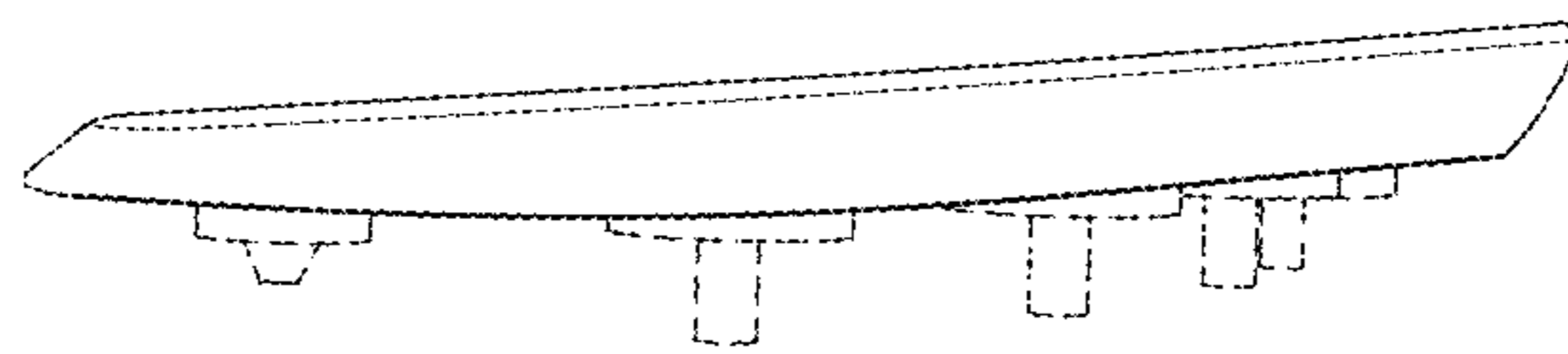


Fig. 2

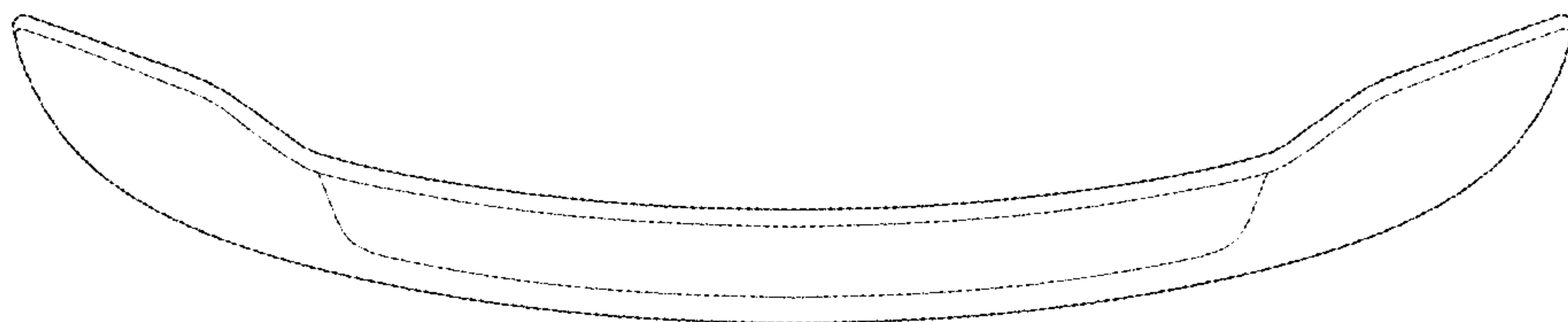


Fig. 3

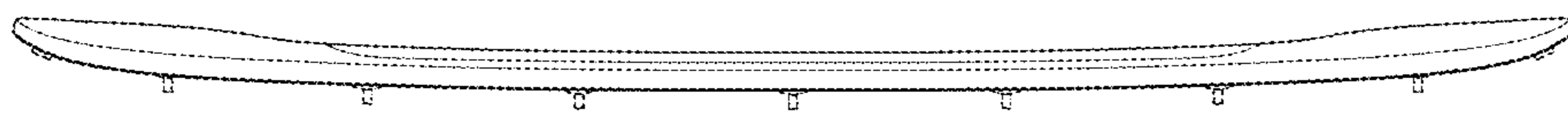


Fig. 4