



US00D777622S

(12) **United States Design Patent** (10) **Patent No.:** **US D777,622 S**
Kozub et al. (45) **Date of Patent:** **** Jan. 31, 2017**

(54) **VEHICLE HOOD**
(71) Applicant: **GM GLOBAL TECHNOLOGY OPERATIONS LLC**, Detroit, MI (US)
(72) Inventors: **Timothy P. Kozub**, Troy, MI (US); **Stuart Cooper**, Bloomfield Hills, MI (US); **Jonghyuk Park**, Troy, MI (US)
(73) Assignee: **GM Global Technology Operations LLC**, Detroit, MI (US)
(**) Term: **15 Years**
(21) Appl. No.: **29/543,409**
(22) Filed: **Oct. 23, 2015**
(51) **LOC (10) Cl.** **12-16**
(52) **U.S. Cl.**
USPC **D12/173**
(58) **Field of Classification Search**
USPC .. D12/173, 196, 86, 90-92, 181; 180/69.21, 180/69.2, 69.22; 296/190.1-190.5, 296/190.8, 193.11, 37.6
CPC B62D 25/10; B62D 25/06; B62D 65/02; B62D 25/12; B60Q 1/00
See application file for complete search history.

D605,977 S 12/2009 Zipfel et al.
D605,978 S 12/2009 Wolff et al.
D608,249 S 1/2010 Peters
D608,690 S 1/2010 Folden et al.
D608,691 S 1/2010 Zak, Jr. et al.
D609,608 S 2/2010 Boniface et al.
D611,387 S 3/2010 Thompson et al.
D611,879 S 3/2010 Kim et al.
D612,297 S 3/2010 Peters et al.
D613,645 S 4/2010 Song et al.
D615,458 S 5/2010 Thompson et al.
D618,595 S 6/2010 Ware et al.
D623,090 S 9/2010 Cox et al.
D627,262 S 11/2010 Ikeda et al.
D635,488 S 4/2011 Phipps
D644,147 S 8/2011 Suh et al.
D644,567 S 9/2011 Kozub
D657,718 S 4/2012 Zipfel et al.
D659,052 S 5/2012 Ware et al.
D659,053 S 5/2012 Ware et al.
D668,182 S 10/2012 Barba Franco et al.
D668,183 S 10/2012 Smart
D678,820 S 3/2013 Son et al.
D678,821 S 3/2013 Ikeda et al.
D679,227 S * 4/2013 Schmeckpeper D12/173

(Continued)

Primary Examiner — Melody N Brown
(74) *Attorney, Agent, or Firm* — Reising Ethington P.C.

(57) **CLAIM**

The ornamental design for a vehicle hood, as shown and described.

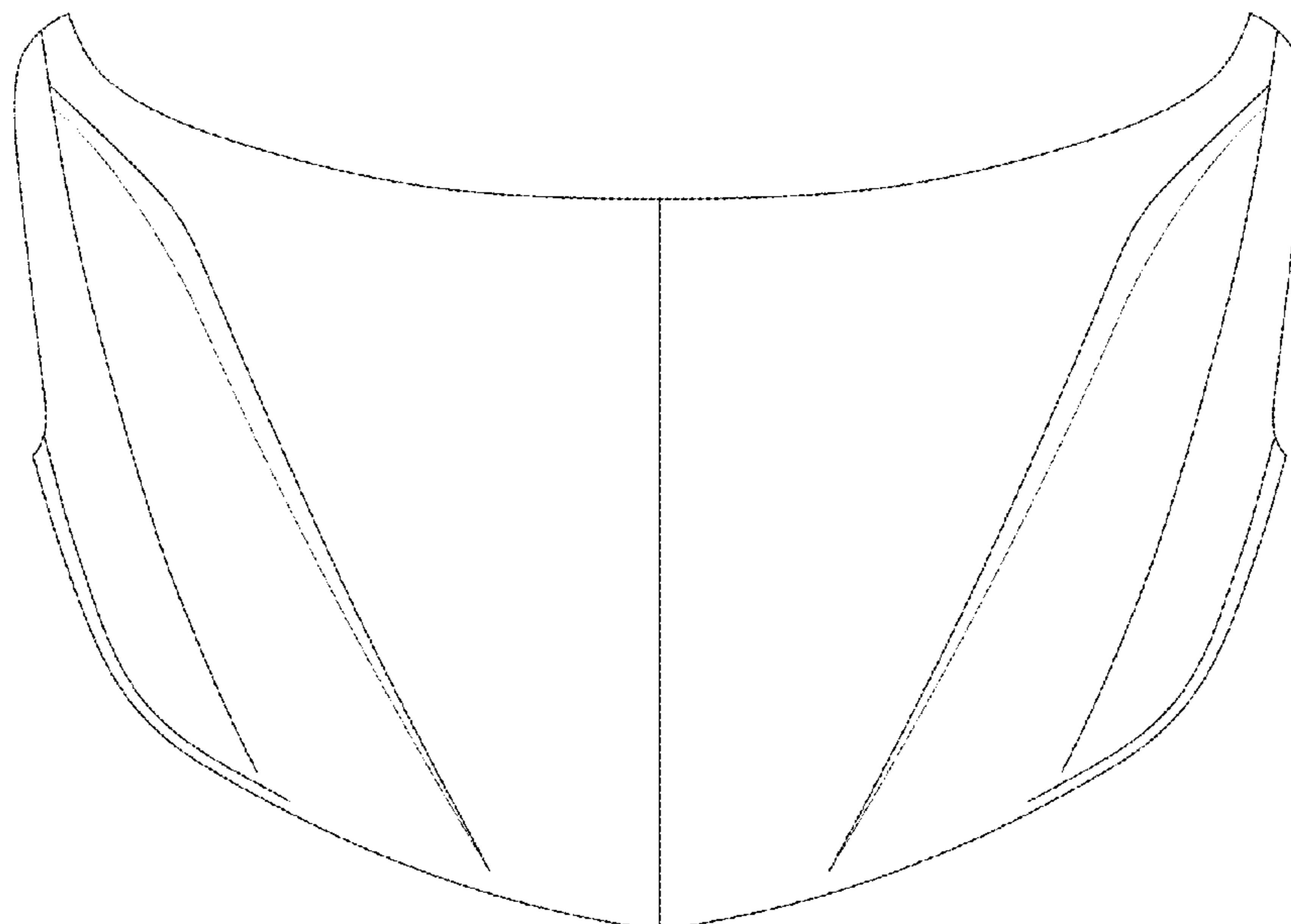
DESCRIPTION

FIG. 1 is a perspective view of the vehicle hood;
FIG. 2 is a top plan view thereof;
FIG. 3 is a left side elevation view thereof (where the right side elevation view is omitted because the right side elevation view is identical to the left side elevation view); and,
FIG. 4 is a front view thereof.

1 Claim, 2 Drawing Sheets

(56) **References Cited**
U.S. PATENT DOCUMENTS

D570,742 S 6/2008 Takagi et al.
D592,105 S 5/2009 Dean et al.
D597,447 S 8/2009 Folden
D600,595 S 9/2009 Nakamura et al.
D601,925 S 10/2009 O'Donnell
D603,755 S 11/2009 Peters
D604,203 S 11/2009 O'Donnell
D605,082 S 12/2009 Munson
D605,083 S 12/2009 Manoogian, II et al.



(56)

References Cited

U.S. PATENT DOCUMENTS

D680,909 S	4/2013	Munson et al.	D718,683 S	12/2014	Thole et al.
D680,910 S	4/2013	David	D722,282 S	2/2015	Loeb
D684,899 S	6/2013	Baker	D722,533 S	2/2015	Thole et al.
D686,536 S	7/2013	McCabe et al.	D722,534 S	2/2015	Munson et al.
D691,931 S *	10/2013	Song D12/173	D724,510 S	3/2015	McMahan et al.
D692,798 S	11/2013	Thurber	D725,001 S	3/2015	McMahan et al.
D692,799 S	11/2013	Smith et al.	D726,591 S	4/2015	Jacob
D696,157 S	12/2013	Loeb	D730,776 S	6/2015	Smart
D699,629 S	2/2014	Ikeda et al.	D730,783 S	6/2015	Henriques et al.
D700,871 S	3/2014	O'Donnell et al.	D732,427 S	6/2015	Loeb
D703,103 S	4/2014	Lee	D732,429 S	6/2015	Loeb
D704,103 S	5/2014	Mack et al.	D732,430 S	6/2015	Loeb
D705,132 S	5/2014	Ware et al.	D732,431 S	6/2015	Loeb
D705,699 S	5/2014	Ware et al.	D732,432 S	6/2015	Aengenheyster
D709,005 S *	7/2014	Koizumi D12/173	D732,433 S	6/2015	Aengenheyster
D713,298 S	9/2014	Dyson	D732,435 S	6/2015	Mackay
D713,764 S	9/2014	Ferlazzo et al.	D733,002 S	6/2015	Loeb
D716,696 S	11/2014	Thole et al.	D735,611 S	8/2015	Aengenheyster
D716,706 S	11/2014	Thole et al.	D735,626 S *	8/2015	Blanski D12/173
D716,709 S	11/2014	Thole et al.	D735,627 S	8/2015	Smith
D717,696 S	11/2014	Thole et al.	D736,451 S	8/2015	Smith
D718,189 S	11/2014	Krieg et al.	D737,743 S *	9/2015	Duff D12/173
			D739,306 S	9/2015	McMahan et al.
			D739,317 S	9/2015	McMahan et al.
			D741,223 S	10/2015	Kim et al.

* cited by examiner

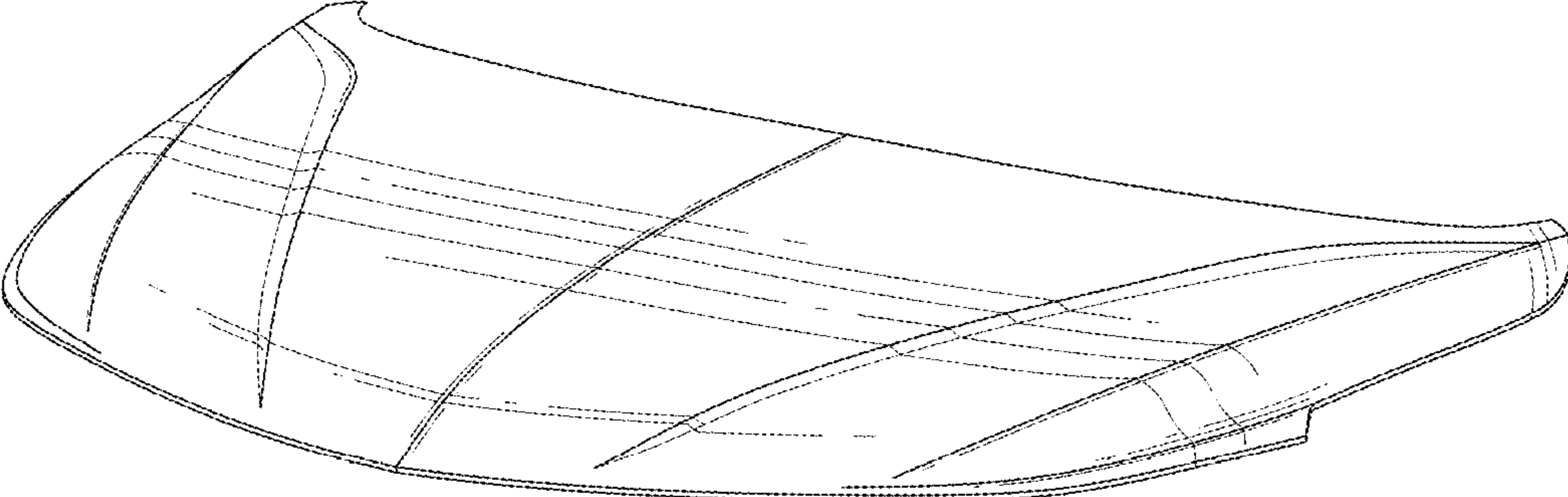


Fig. 1

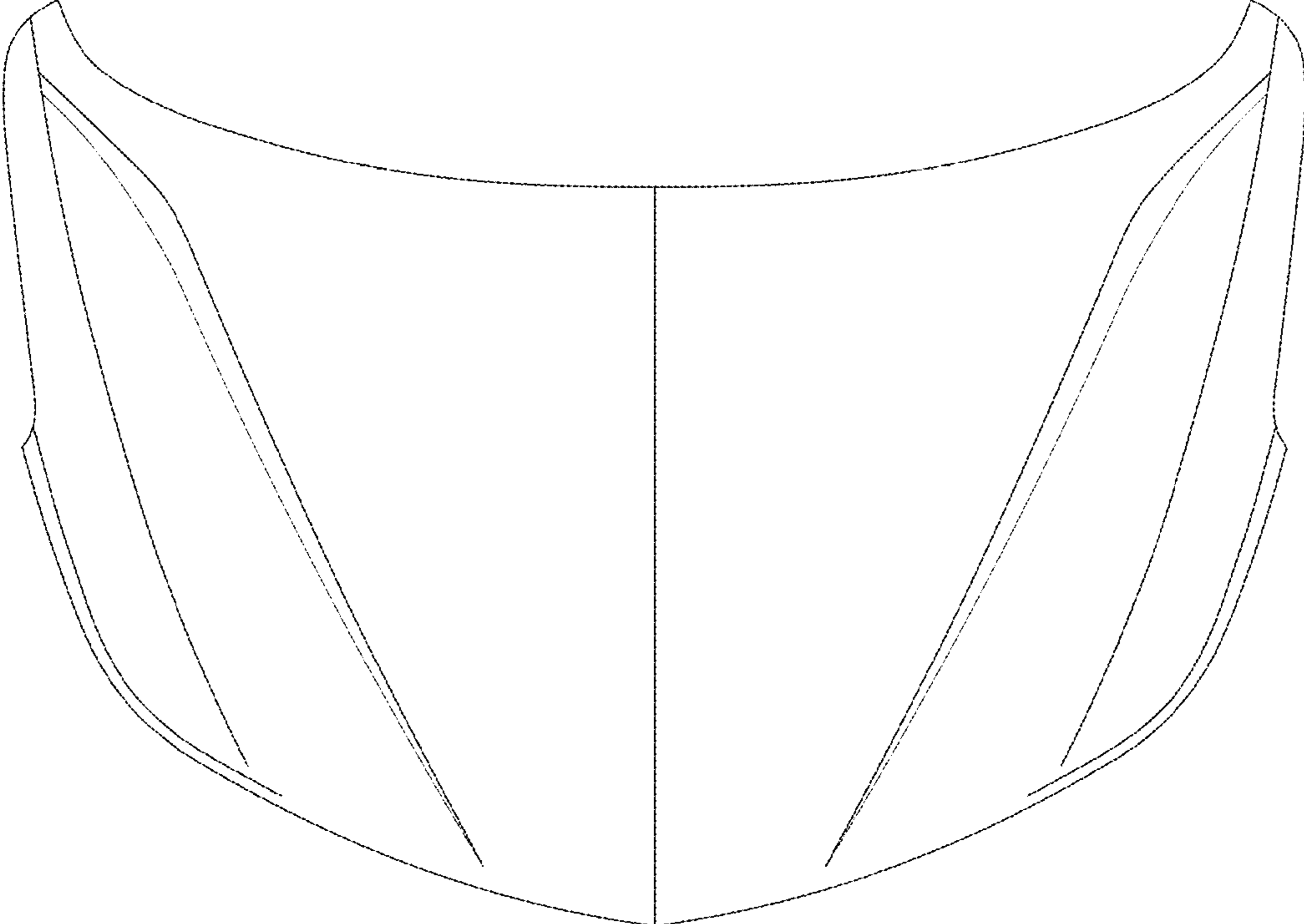


Fig. 2

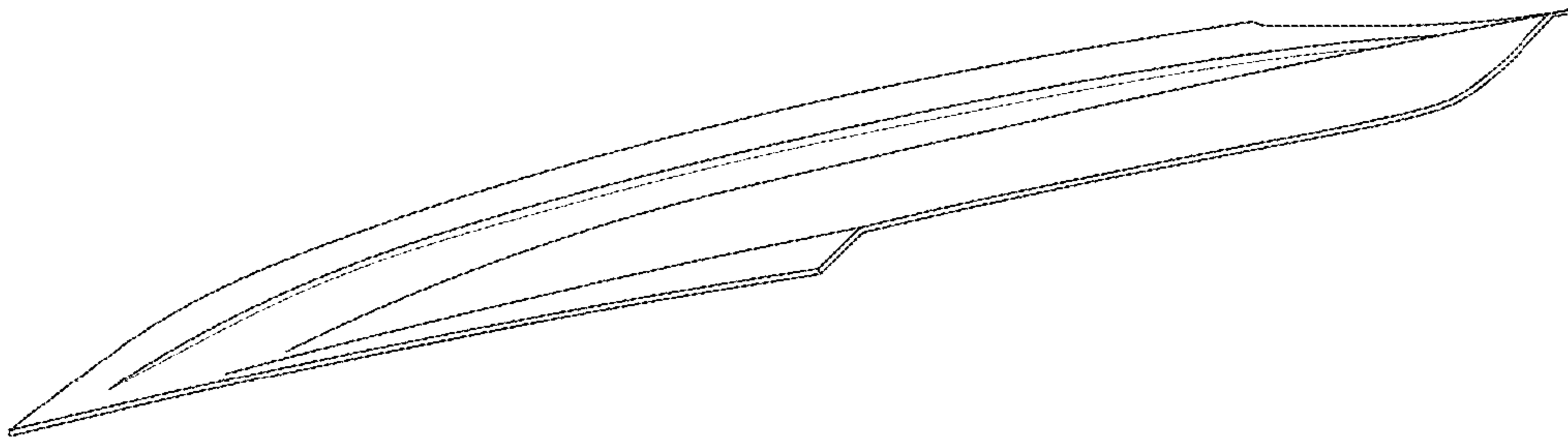


Fig. 3

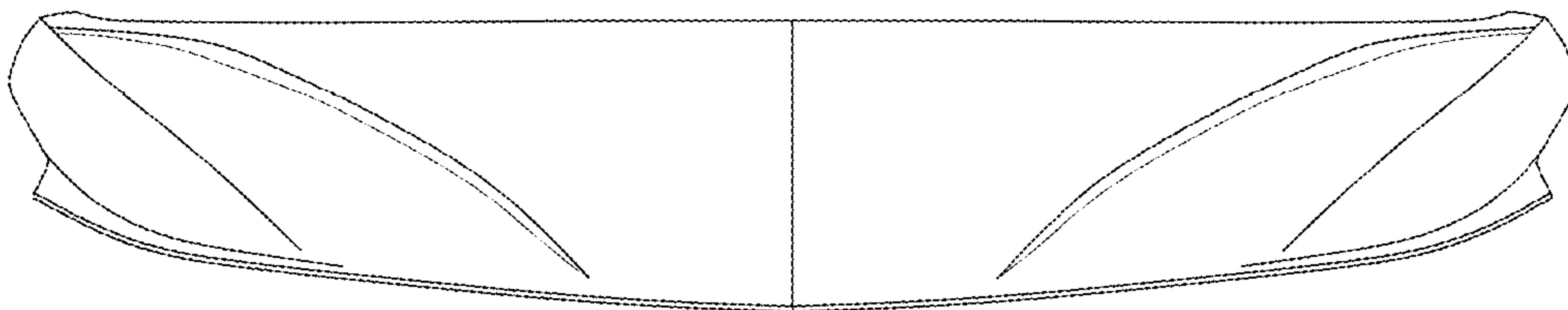


Fig. 4