



US00D777621S

(12) **United States Design Patent** (10) **Patent No.:** **US D777,621 S**  
**Kim** (45) **Date of Patent:** **\*\* Jan. 31, 2017**

(54) **VEHICLE HOOD**  
(71) Applicant: **GM Global Technology Operations LLC, Detroit, MI (US)**  
(72) Inventor: **Hoon S. Kim, Troy, MI (US)**  
(73) Assignee: **GM Global Technology Operations LLC, Detroit, MI (US)**  
(\*\*) Term: **15 Years**  
(21) Appl. No.: **29/539,912**  
(22) Filed: **Sep. 18, 2015**  
(51) **LOC (10) Cl.** ..... **12-16**  
(52) **U.S. Cl.**  
USPC ..... **D12/173**  
(58) **Field of Classification Search**  
USPC .. D12/173, 196, 86, 90-92, 181; 180/69.21, 180/69.2, 69.22; 296/190.1-190.5, 296/190.8, 193.11, 37.6  
CPC ..... B62D 25/10; B62D 25/06; B62D 65/02; B62D 25/12; B60Q 1/00  
See application file for complete search history.

D608,690 S 1/2010 Folden et al.  
D608,691 S 1/2010 Zak, Jr. et al.  
D609,608 S 2/2010 Boniface et al.  
D611,387 S 3/2010 Thompson et al.  
D611,879 S 3/2010 Kim et al.  
D612,297 S 3/2010 Peters et al.  
D613,645 S 4/2010 Song et al.  
D615,458 S 5/2010 Thompson et al.  
D618,595 S 6/2010 Ware et al.  
D623,090 S 9/2010 Cox et al.  
D627,262 S 11/2010 Ikeda et al.  
D635,488 S 4/2011 Phipps  
D644,147 S 8/2011 Suh et al.  
D644,567 S 9/2011 Kozub  
D645,800 S \* 9/2011 Kumai ..... D12/173  
D657,718 S 4/2012 Zipfel et al.  
D659,052 S 5/2012 Ware et al.  
D659,053 S 5/2012 Ware et al.  
D668,182 S 10/2012 Barba Franco  
D668,183 S 10/2012 Smart  
D678,820 S 3/2013 Son et al.  
D678,821 S 3/2013 Ikeda et al.  
D680,909 S 4/2013 Munson et al.

(Continued)

Primary Examiner — Melody N Brown  
(74) Attorney, Agent, or Firm — Reising Ethington P.C.

(57) **CLAIM**

The ornamental design for a vehicle hood, as shown and described.

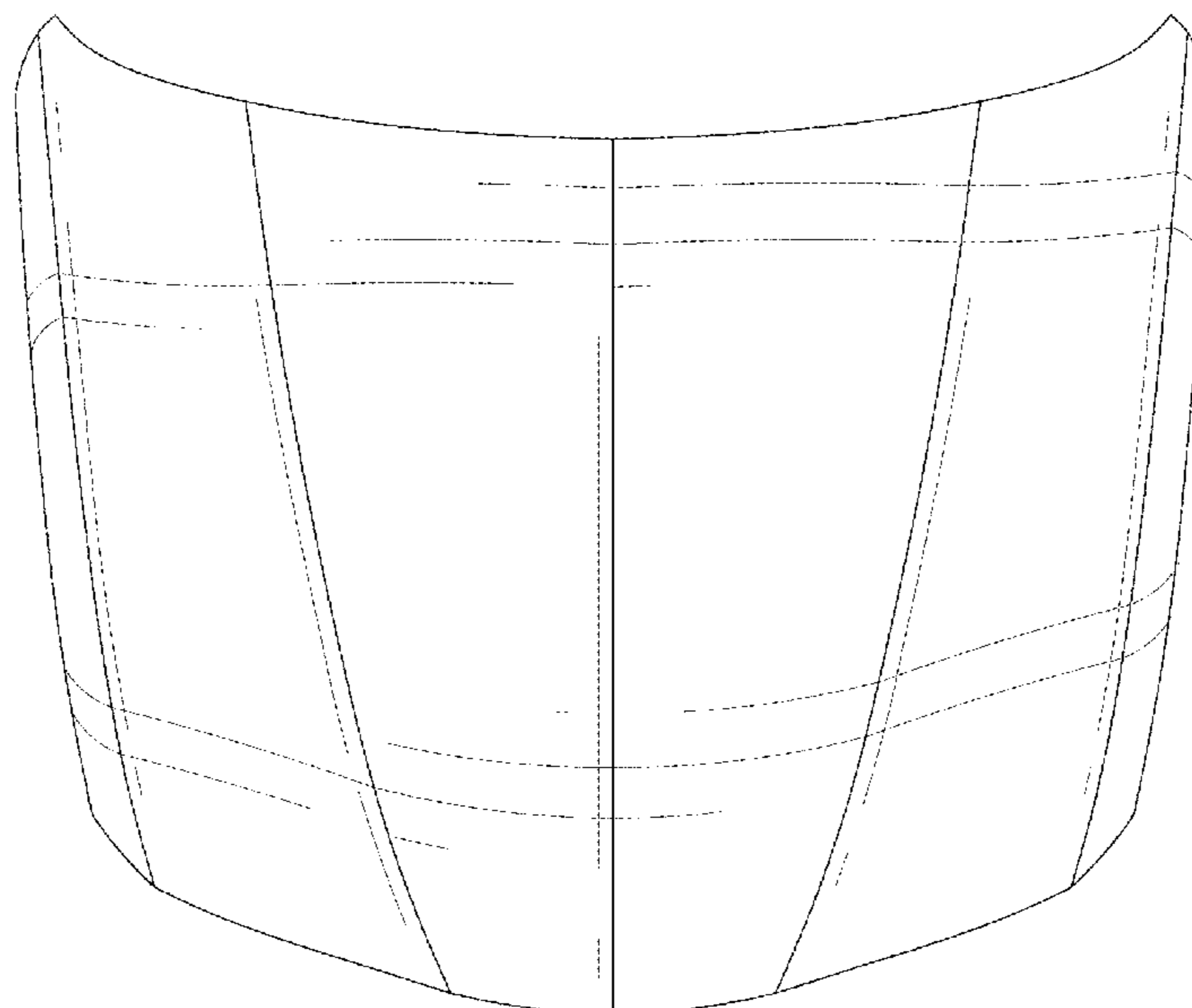
**DESCRIPTION**

FIG. 1 is a perspective view of the vehicle hood;  
FIG. 2 is a top plan view thereof;  
FIG. 3 is a left side elevation view thereof; and,  
FIG. 4 is a front view thereof.  
The right side elevation view is omitted because the right side elevation view is identical to the left side elevation view.

**1 Claim, 2 Drawing Sheets**

(56) **References Cited**  
U.S. PATENT DOCUMENTS

D570,742 S 6/2008 Takagi et al.  
D592,105 S 5/2009 Dean et al.  
D597,447 S 8/2009 Folden  
D600,595 S 9/2009 Nakamura et al.  
D601,925 S 10/2009 O'Donnell  
D603,755 S 11/2009 Peters  
D604,203 S 11/2009 O'Donnell  
D605,082 S 12/2009 Munson  
D605,083 S 12/2009 Manoogian, II et al.  
D605,977 S 12/2009 Zipfel et al.  
D605,978 S 12/2009 Wolff et al.  
D608,249 S 1/2010 Peters



(56)

References Cited

U.S. PATENT DOCUMENTS

D680,910 S	4/2013	David	
D683,674 S *	6/2013	Watanabe .....	D12/173
D684,899 S	6/2013	Baker	
D685,700 S *	7/2013	Tase .....	D12/173
D686,536 S	7/2013	McCabe et al.	
D691,931 S *	10/2013	Song .....	D12/173
D692,798 S	11/2013	Thurber	
D692,799 S	11/2013	Smith et al.	
D696,157 S	12/2013	Loeb	
D699,629 S	2/2014	Ikeda et al.	
D699,642 S *	2/2014	Kubota .....	D12/173
D700,871 S	3/2014	O'Donnell et al.	
D702,164 S *	4/2014	Campbell .....	D12/173
D703,103 S	4/2014	Lee	
D704,103 S	5/2014	Mack et al.	
D705,132 S	5/2014	Ware et al.	
D705,699 S	5/2014	Ware et al.	
D709,005 S *	7/2014	Koizumi .....	D12/173
D713,298 S	9/2014	Dyson	
D713,764 S	9/2014	Ferlazzo	
D716,696 S	11/2014	Thole et al.	
D716,706 S	11/2014	Thole et al.	
D716,709 S	11/2014	Thole et al.	
D717,696 S	11/2014	Thole et al.	
D718,189 S	11/2014	Krieg et al.	
D718,683 S	12/2014	Thole et al.	
D722,282 S	2/2015	Loeb	
D722,533 S	2/2015	Thole et al.	
D722,534 S	2/2015	Munson et al.	
D722,928 S *	2/2015	George .....	D12/173
D724,510 S	3/2015	McMahan et al.	
D725,001 S	3/2015	McMahan et al.	
D730,776 S	6/2015	Smart	
D730,783 S	6/2015	Henriques et al.	
D732,435 S	6/2015	Mackay	
D735,627 S	8/2015	Smith	
D736,451 S	8/2015	Smith	

\* cited by examiner

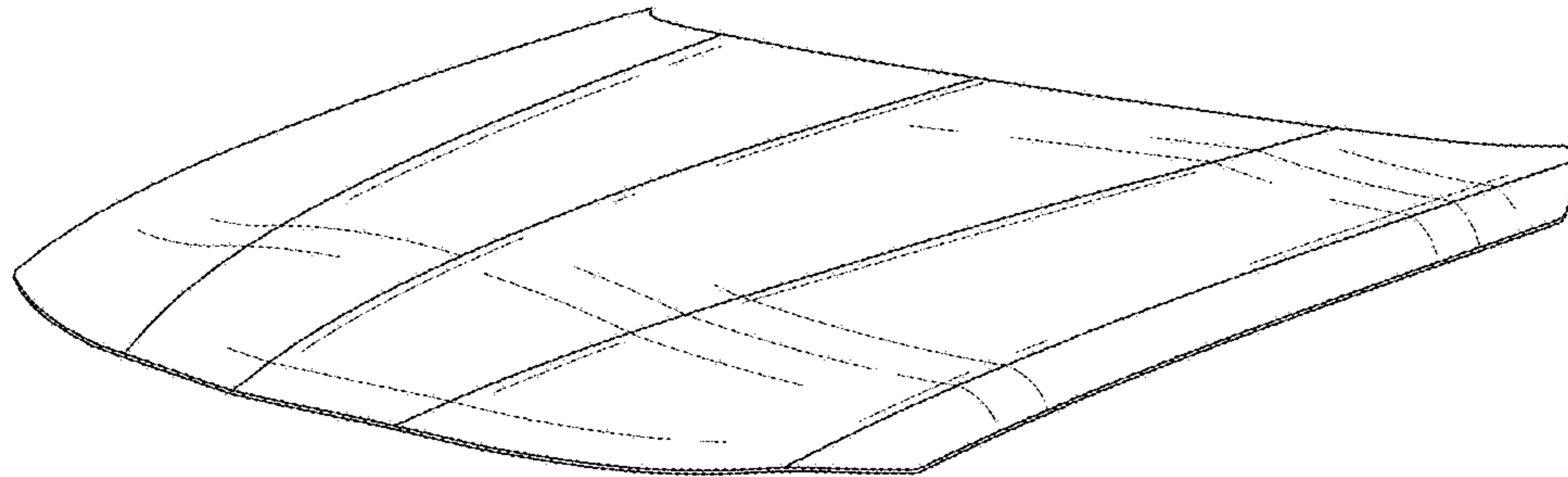


Fig .1

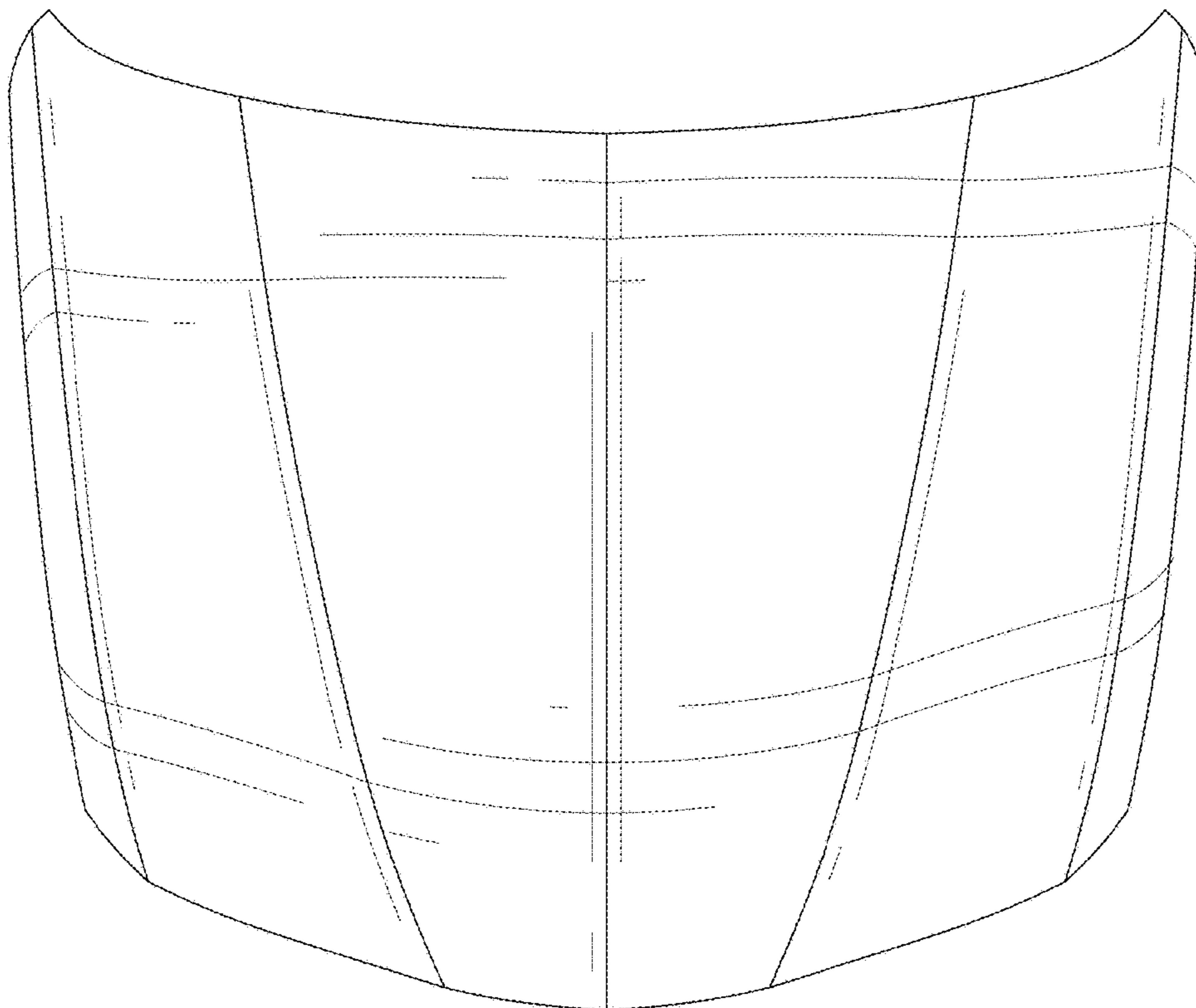


Fig .2

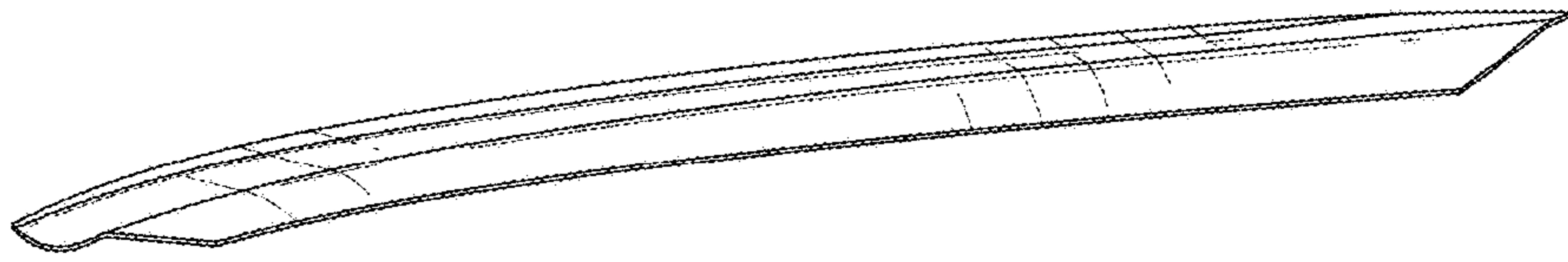


Fig .3

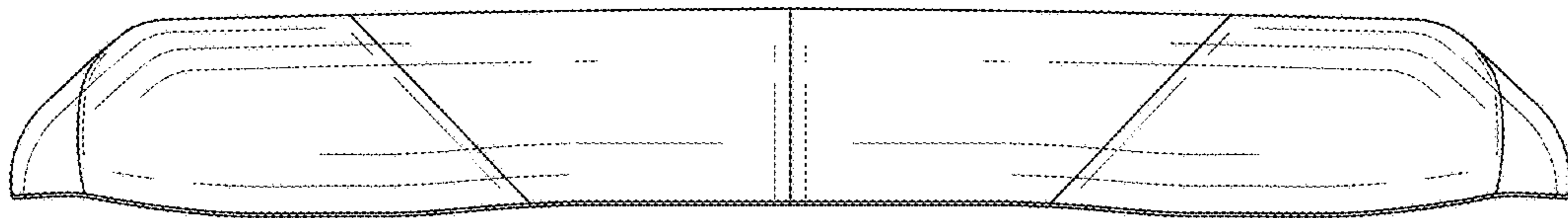


Fig .4