

US00D777620S

(12) **United States Design Patent** (10) **Patent No.:** **US D777,620 S**
Pevovar et al. (45) **Date of Patent:** **** Jan. 31, 2017**

(54) **VEHICLE HOOD**
(71) Applicant: **GM Global Technology Operations LLC**, Detroit, MI (US)
(72) Inventors: **Michael J. Pevovar**, Northville Township, MI (US); **Samuel Zhao**, Franklin, MI (US); **Jaymer Starbody**, Bryan, OH (US)
(73) Assignee: **GM Global Technology Operations LLC**, Detroit, MI (US)
(**) Term: **15 Years**
(21) Appl. No.: **29/538,864**
(22) Filed: **Sep. 9, 2015**
(51) **LOC (10) Cl.** **12-16**
(52) **U.S. Cl.**
USPC **D12/173**
(58) **Field of Classification Search**
USPC D12/173, 196, 86, 90-92, 181;
180/69.21, 69.2, 69.22; 296/190.1-190.5,
296/190.8, 193.11, 37.6
CPC B62D 25/10; B62D 25/06; B62D 65/02;
B62D 25/12; B60Q 1/00
See application file for complete search history.

D605,977 S 12/2009 Zipfel et al.
D605,978 S 12/2009 Wolff et al.
D608,249 S 1/2010 Peters
D608,690 S 1/2010 Folden et al.
D608,691 S 1/2010 Zak, Jr. et al.
D609,608 S 2/2010 Boniface et al.
D611,387 S 3/2010 Thompson et al.
D611,879 S 3/2010 Kim et al.
D612,297 S 3/2010 Peters et al.
D613,645 S 4/2010 Song et al.
D615,458 S 5/2010 Thompson et al.
D618,595 S 6/2010 Ware et al.
D623,090 S 9/2010 Cox et al.
D627,262 S 11/2010 Ikeda et al.
D635,488 S 4/2011 Phipps
D644,147 S 8/2011 Suh et al.
D644,567 S 9/2011 Kozub
D657,718 S 4/2012 Zipfel et al.
D659,052 S 5/2012 Ware et al.
D659,053 S 5/2012 Ware et al.
D668,182 S 10/2012 Barba Franco
D668,183 S 10/2012 Smart
D678,820 S 3/2013 Son et al.
D678,821 S 3/2013 Ikeda et al.

(Continued)

Primary Examiner — Melody N Brown
(74) *Attorney, Agent, or Firm* — Reising Ethington P.C.

(57) **CLAIM**

The ornamental design for a vehicle hood, as shown and described.

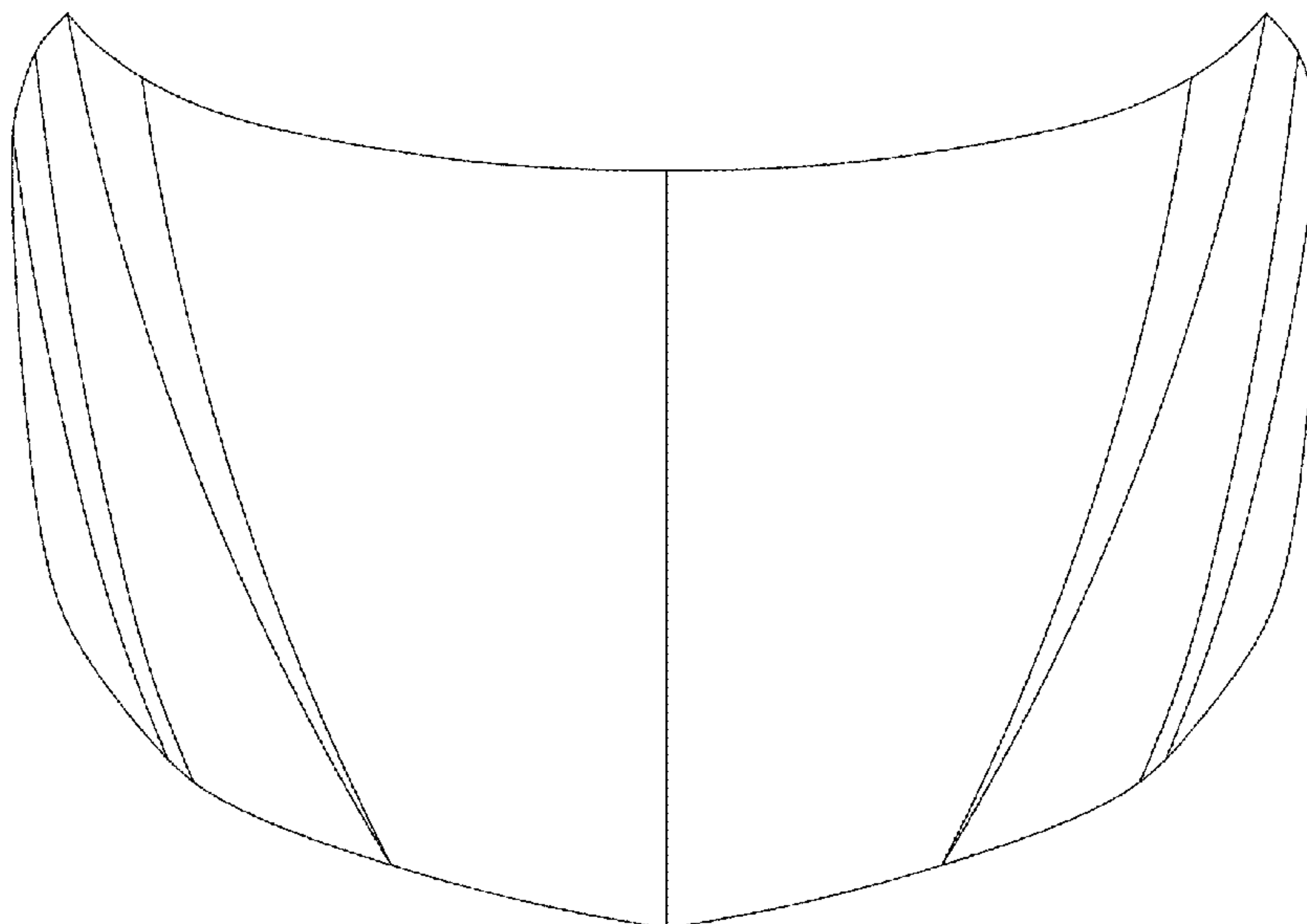
(56) **References Cited**
U.S. PATENT DOCUMENTS

D570,742 S 6/2008 Takagi et al.
D592,105 S 5/2009 Dean et al.
D597,447 S 8/2009 Folden
D600,595 S 9/2009 Nakamura et al.
D601,925 S 10/2009 O'Donnell
D603,755 S 11/2009 Peters
D604,203 S 11/2009 O'Donnell
D605,082 S 12/2009 Munson
D605,083 S 12/2009 Manoogian, II et al.

DESCRIPTION

FIG. 1 is a perspective view of the vehicle hood;
FIG. 2 is a left side elevation view thereof;
FIG. 3 is a top plan view thereof; and,
FIG. 4 is a front view thereof.
The right side elevation view is omitted because the right side elevation view is identical to the left side elevation view.

1 Claim, 1 Drawing Sheet



(56)

References Cited

U.S. PATENT DOCUMENTS

D680,909 S	4/2013	Munson et al.			
D680,910 S	4/2013	David			
D683,286 S *	5/2013	Fuchigami	D12/173		
D684,899 S	6/2013	Baker			
D686,120 S *	7/2013	Thurber	D12/173		
D686,536 S	7/2013	McCabe et al.			
D687,357 S *	8/2013	Weil	D12/173		
D692,798 S	11/2013	Thurber			
D692,799 S	11/2013	Smith et al.			
D696,157 S	12/2013	Loeb			
D699,629 S	2/2014	Ikeda et al.			
D699,642 S *	2/2014	Kubota	D12/173		
D700,871 S	3/2014	O'Donnell et al.			
D703,103 S	4/2014	Lee			
D704,103 S	5/2014	Mack et al.			
D705,132 S	5/2014	Ware et al.			
D705,699 S	5/2014	Ware et al.			
D709,005 S *	7/2014	Koizumi	D12/173		
D710,768 S *	8/2014	Ishizuka	D12/173		
D713,298 S	9/2014	Dyson			
D713,764 S	9/2014	Ferlazzo			
D716,202 S *	10/2014	Beermann	D12/173		
D716,696 S	11/2014	Thole et al.			
D716,706 S	11/2014	Thole et al.			
D716,709 S	11/2014	Thole et al.			
D717,696 S	11/2014	Thole et al.			
D718,189 S	11/2014	Krieg et al.			
D718,683 S	12/2014	Thole et al.			
D722,282 S	2/2015	Loeb			
D722,533 S	2/2015	Thole et al.			
D722,534 S	2/2015	Munson et al.			
D722,928 S *	2/2015	George	D12/173		
D724,510 S	3/2015	McMahan et al.			
D725,001 S	3/2015	McMahan et al.			
D730,776 S	6/2015	Smart			
D730,783 S	6/2015	Henriques et al.			
D732,435 S	6/2015	Mackay			
D735,627 S	8/2015	Smith			
D736,451 S	8/2015	Smith			
D762,534 S *	8/2016	Faghihzadeh	D12/173		

* cited by examiner

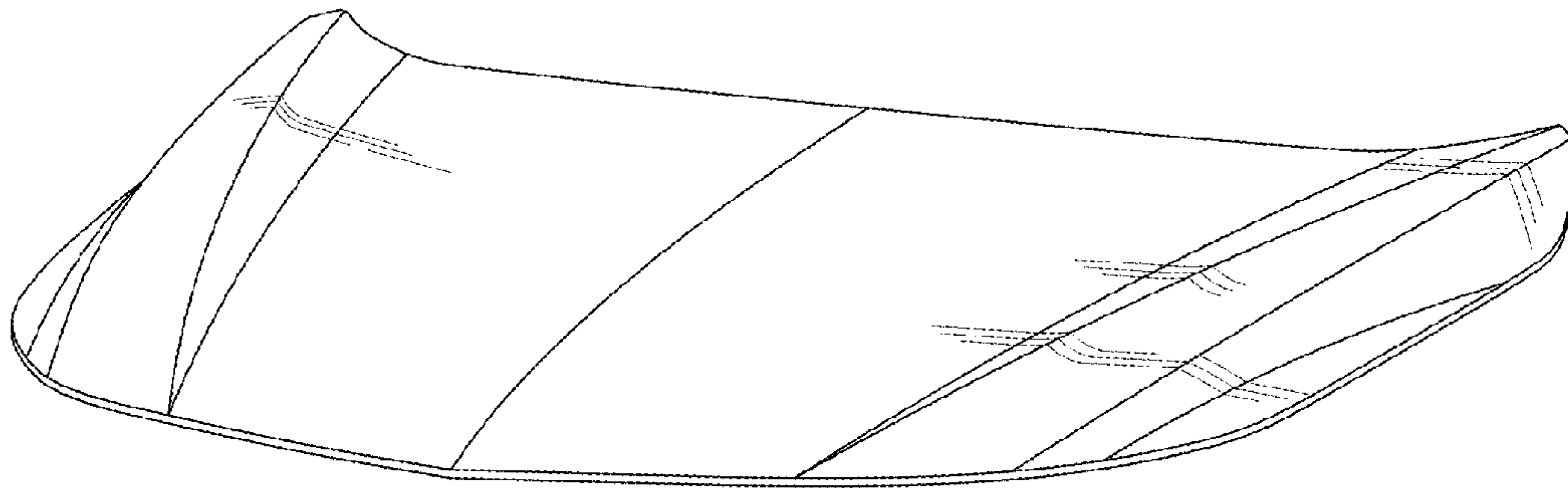


Fig. 1

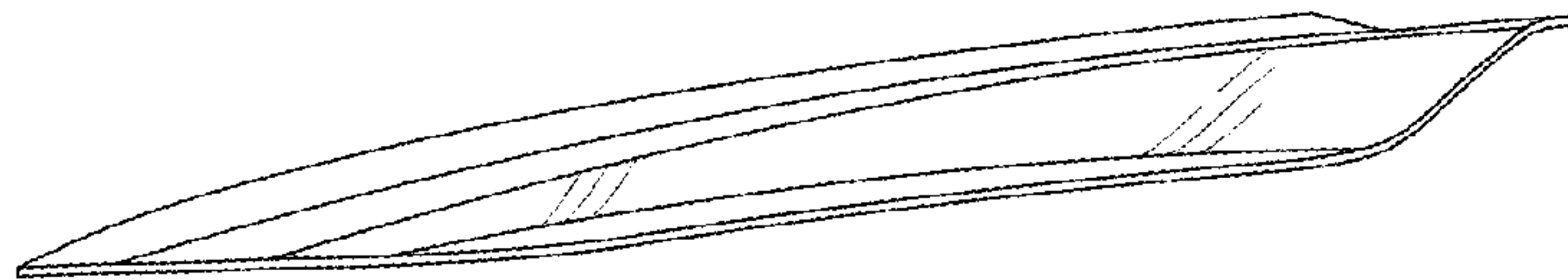


Fig. 2

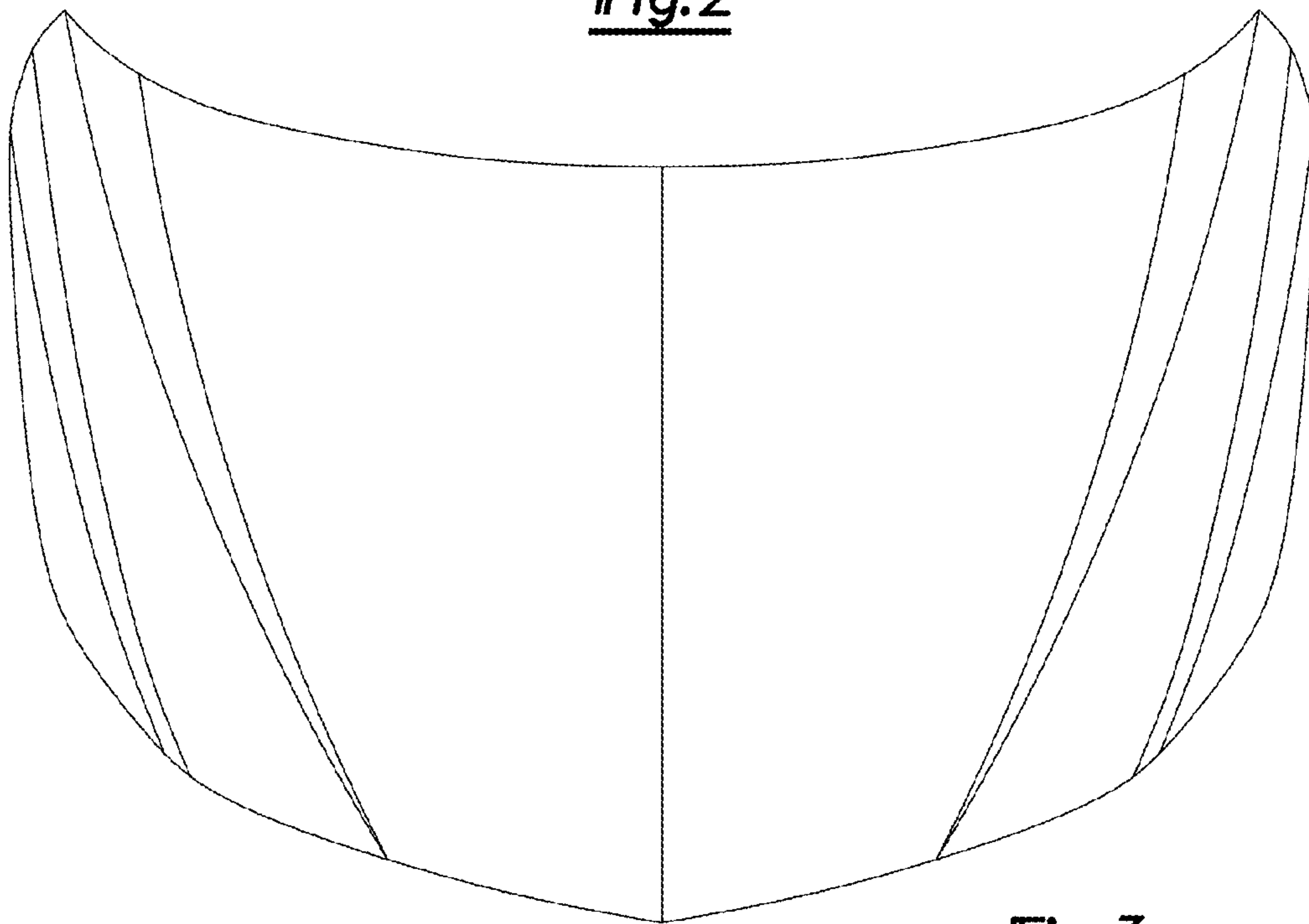


Fig. 3

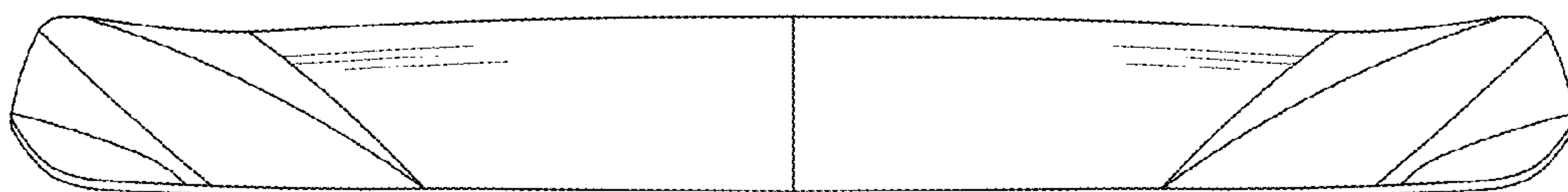


Fig. 4