



US00D777619S

(12) **United States Design Patent**
Barajas et al.

(10) **Patent No.:** **US D777,619 S**
(45) **Date of Patent:** **** Jan. 31, 2017**

(54) **REAR BUMPER FOR A MODEL VEHICLE**

- (71) Applicant: **TRAXXAS LP**, McKinney, TX (US)
- (72) Inventors: **Jaime Felix Barajas**, Dallas, TX (US);
Kent Poteet, Lucas, TX (US)
- (73) Assignee: **TRAXXAS LP**, McKinney, TX (US)
- (**) Term: **15 Years**

(21) Appl. No.: **29/540,007**

(22) Filed: **Sep. 18, 2015**

(51) **LOC (10) Cl.** **12-16**

(52) **U.S. Cl.**
USPC **D12/171**; D12/167

(58) **Field of Classification Search**

USPC D12/86, 90, 91, 92, 163, 164, 169, 171,
D12/196, 216; D21/533, 538, 541, 542,
D21/548, 549, 551, 562; 180/68.4, 68.6;
293/102, 112, 113, 115, 117, 120;
296/180.1, 180.2

CPC B60R 19/02; B60R 19/18; B60R 19/24;
B60R 19/56; B60R 2019/007

See application file for complete search history.

(56) **References Cited**

U.S. PATENT DOCUMENTS

D300,128 S *	3/1989	Brennan	D12/169
D360,865 S *	8/1995	Hanson	D12/169
D375,067 S *	10/1996	Bronstein	D12/169
D420,634 S *	2/2000	Nelson	D12/169
D431,506 S *	10/2000	Runfola	D12/169
D454,098 S *	3/2002	McGuinness	D12/171
D455,988 S *	4/2002	McGuinness	D12/169
D487,038 S *	2/2004	Chan	D12/169
D506,421 S *	6/2005	Newbill	D12/169
D590,752 S *	4/2009	Williams	D12/169
D699,640 S *	2/2014	Duderstadt	D12/169
D737,181 S *	8/2015	Smith	D12/169
D737,739 S *	9/2015	Hanson	D12/169

(Continued)

OTHER PUBLICATIONS

“How Do I Add a Ball Hitch to my RPM Rear Bumper (T/E-Maxx & Revo Bumpers)?” RPM., Jul. 30, 2005 [online], [retrieved on Sep. 12, 2016]. Retrieved from the Internet <URL: <http://www.rpmreproducts.com/faq/add-ball-hitch-rpm-rear-bumper-te-maxx-revo-bumpers/>>.*

(Continued)

Primary Examiner — Darlington Ly

(74) *Attorney, Agent, or Firm* — CARR Law Firm PLLC

(57) **CLAIM**

We claim the ornamental design for a rear bumper for a model vehicle, as shown and described.

DESCRIPTION

FIG. 1 is a rear elevation view of a rear bumper for a model vehicle showing our new design;

FIG. 2 is a left side elevation view thereof, of which the right side elevation view is a mirror image;

FIG. 3 is a top plan view thereof;

FIG. 4 is a top, rear, and right side perspective view thereof;

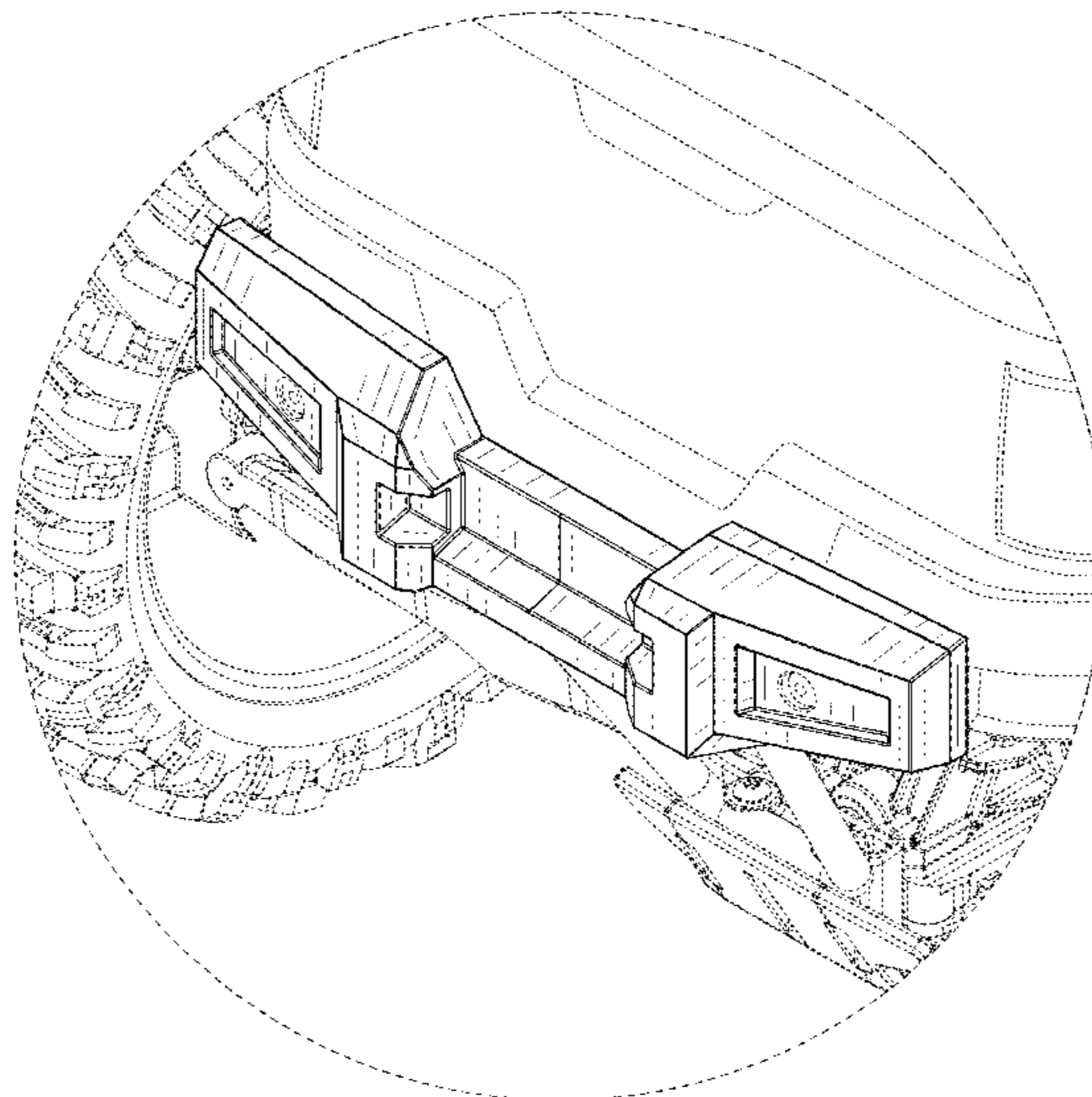
FIG. 5 is an enlarged left side view thereof, wherein the area of enlargement is shown in the broken line bubble 5 in FIG. 2;

FIG. 6 is an enlarged top plan view thereof, wherein the area of enlargement is shown in the broken line bubble 6 in FIG. 3; and,

FIG. 7 is an enlarged top, rear, and right side perspective view thereof, wherein the area of enlargement is shown in the broken line bubble 7 in FIG. 4.

The broken line showing of the model vehicle is provided for the purposes of illustrating environmental structure; whereas, the broken line showing of features of the rear bumper illustrate portions of the article. Any subject matter and graphical element that are shown in broken lines in the drawings do not form part of the claimed design.

1 Claim, 6 Drawing Sheets



(56)

References Cited

U.S. PATENT DOCUMENTS

D740,730 S * 10/2015 Peltola D12/169
D744,384 S * 12/2015 Harriton D12/169
D751,012 S * 3/2016 Hare D12/169
D761,166 S * 7/2016 Hare D12/169
D763,745 S * 8/2016 Lee, IV D12/169

OTHER PUBLICATIONS

“WARN 87750 Elite Series Front Bumper with Grill Guard Tube.”
RPM., Jul. 17, 2013 [online], [retrieved on Sep. 12, 2016].
Retrieved from the Internet <URL: https://www.amazon.com/gp/product/B00625F4FI/ref=pd_sim_263_5?ie=UTF8&pd_rd_i=B00625F4FI&pd_rd_r=QN6NZ5WV34ZS00Z3BSGH&pd_rd_w=4XjJD&pd_rd_wg=7Z80V&psc=1&refRID=QN6NZ5WV34ZS0>.*
“Yeah Racing F/R Bumper w/ HD Shackle & LED’s—SCX10, Traxxas.” RC Hobbies., Nov. 12, 2014 [online], [retrieved on Sep. 12, 2016]. Retrieved from the Internet <URL: http://rchobbies.com.au/store/product_info.php?products_id=80405>.*

* cited by examiner

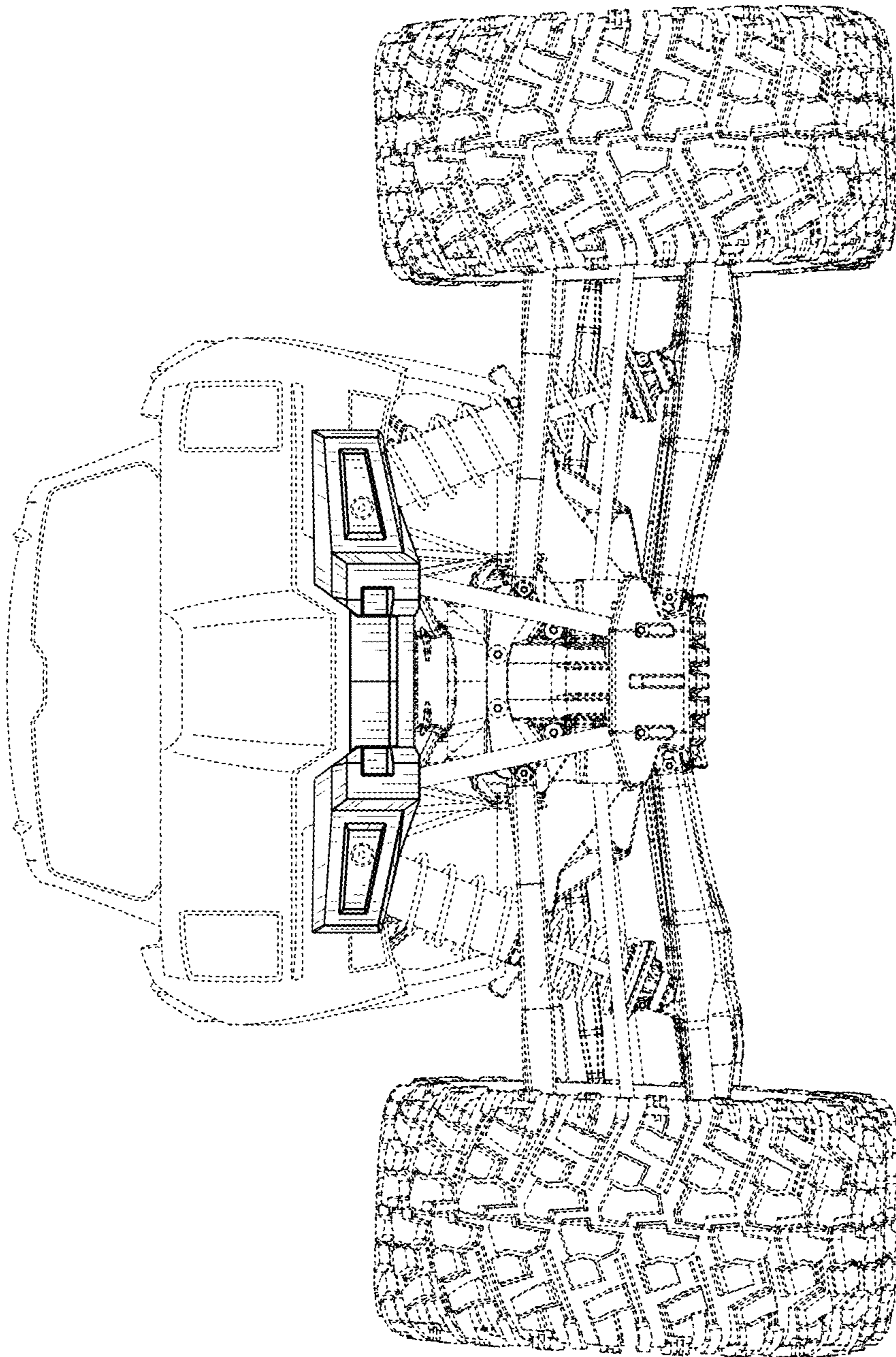


FIG. 1

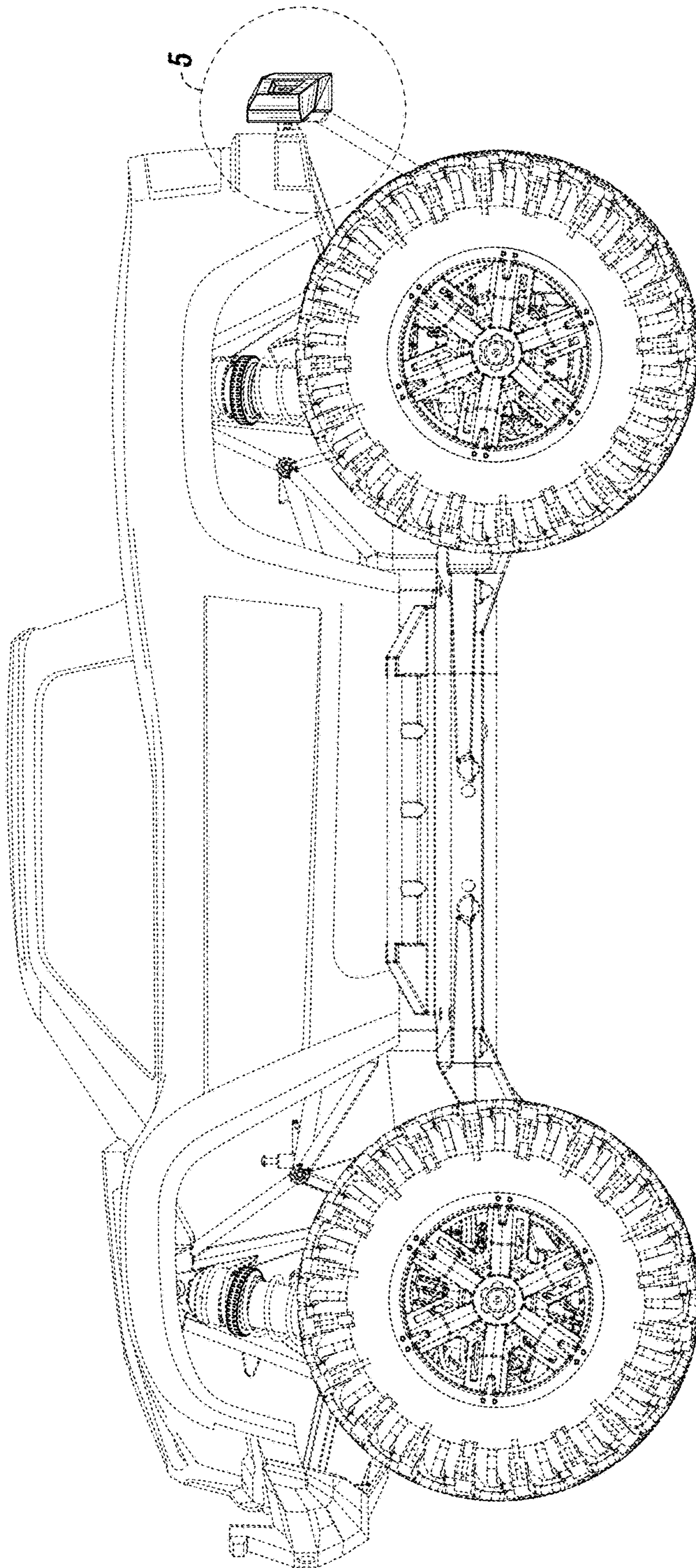


FIG. 2

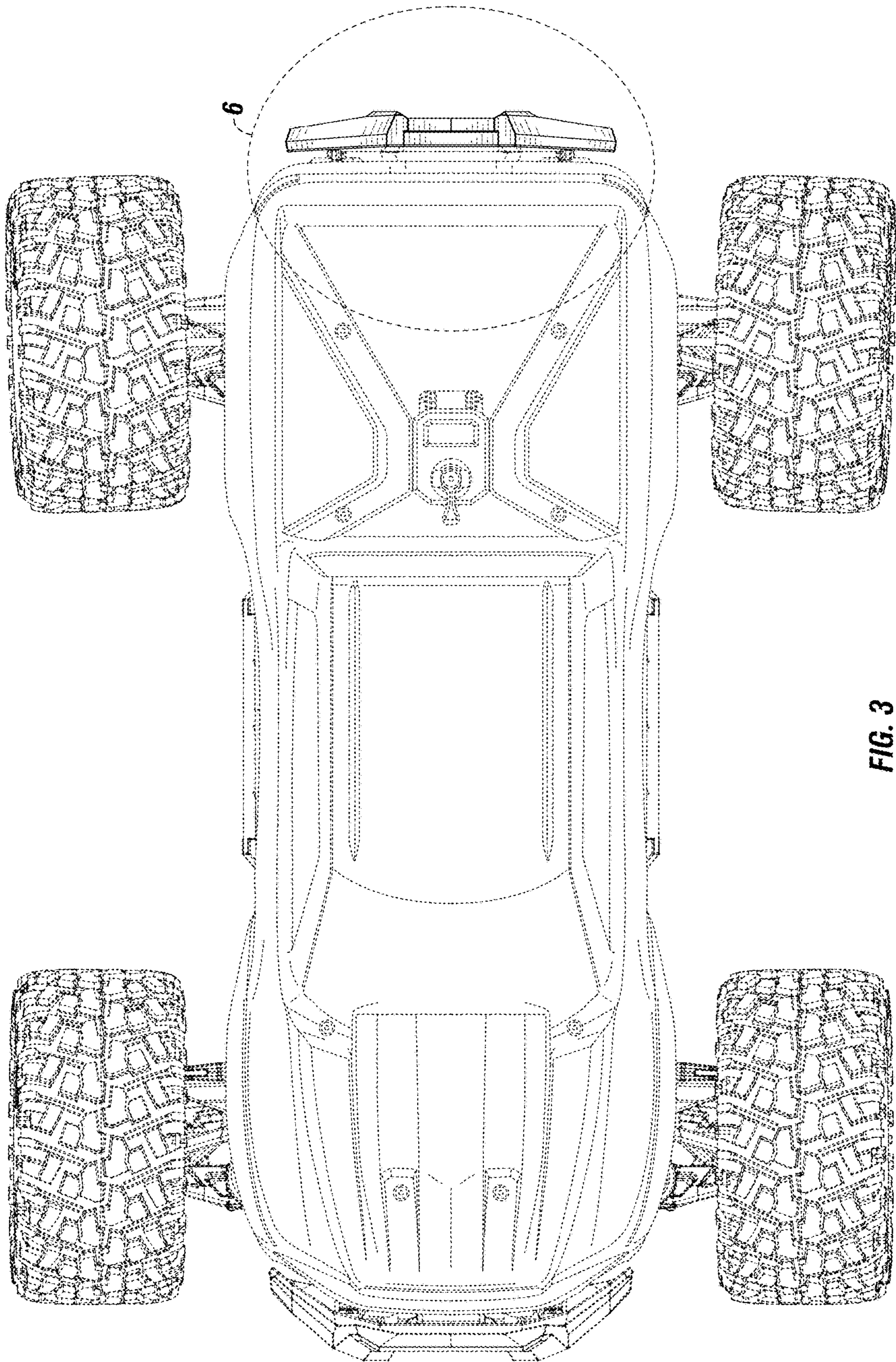


FIG. 3

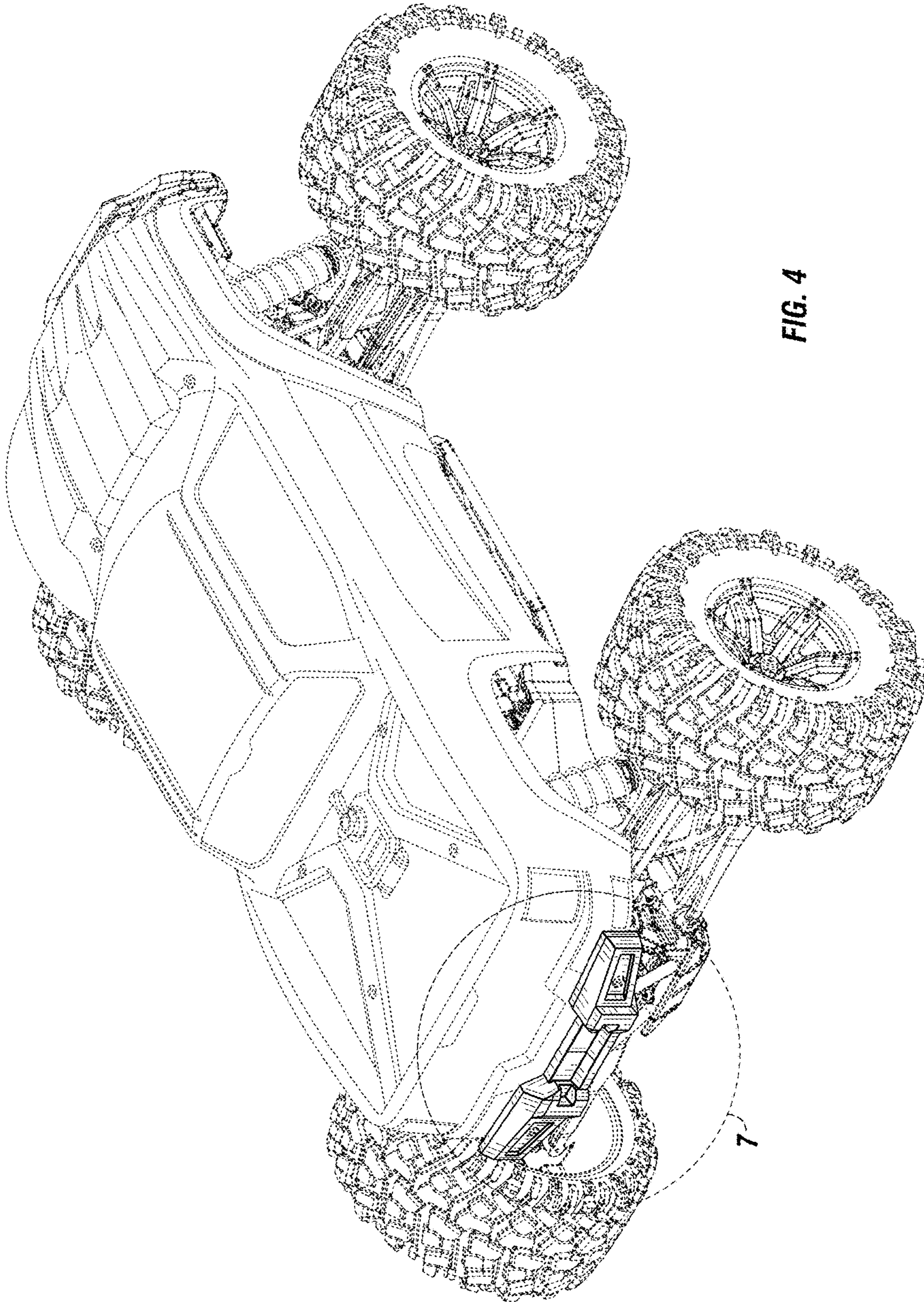


FIG. 4

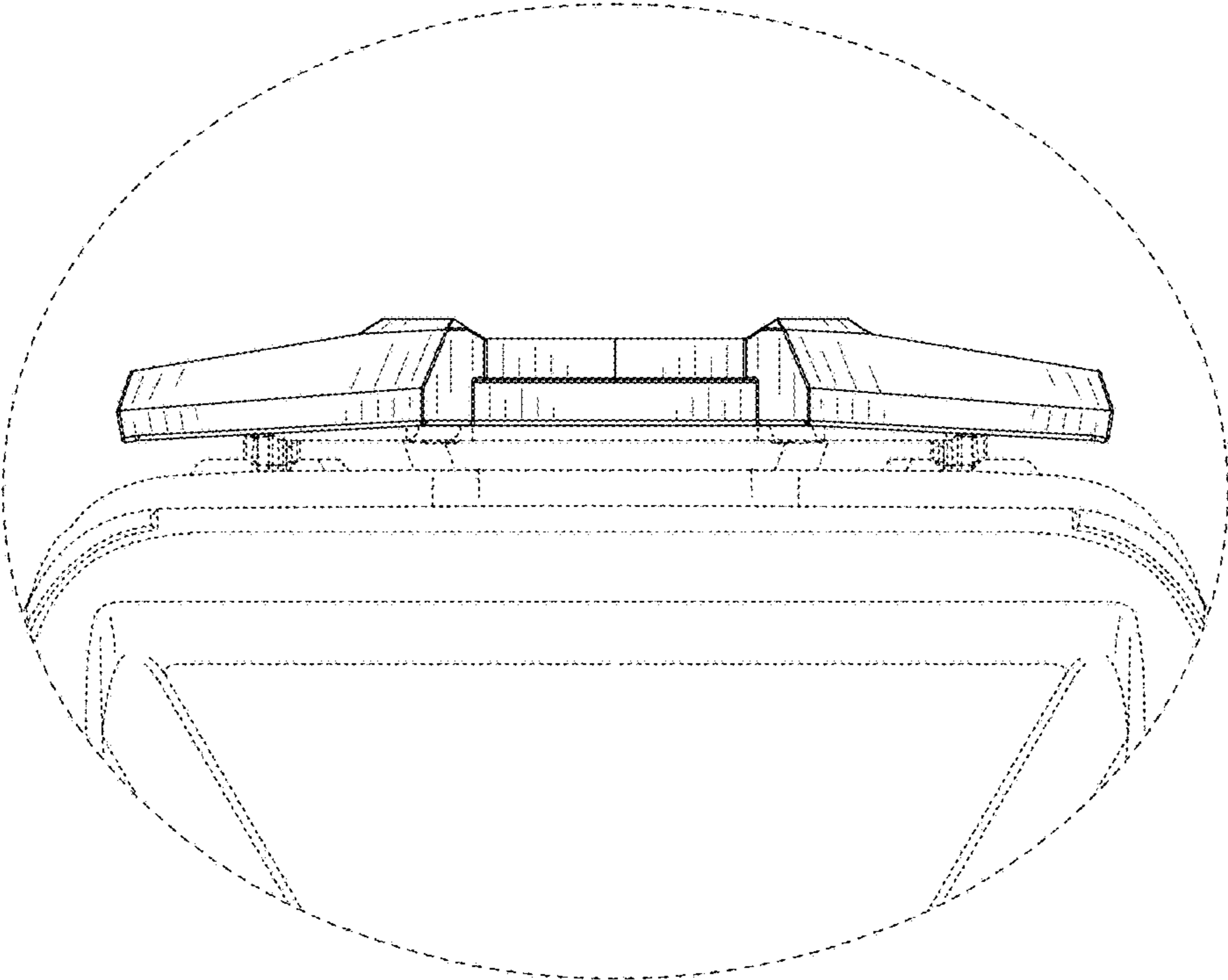


FIG. 6

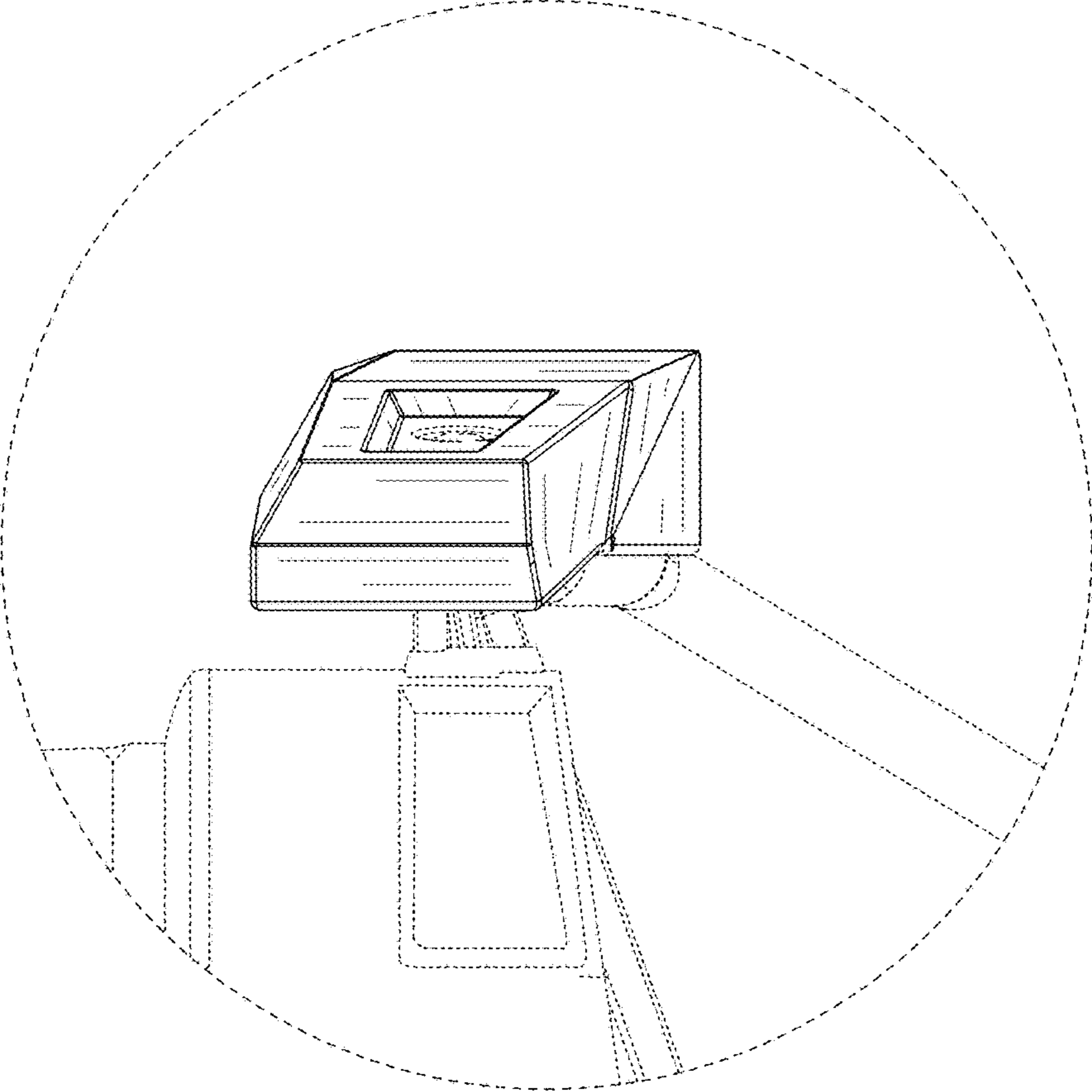


FIG. 5

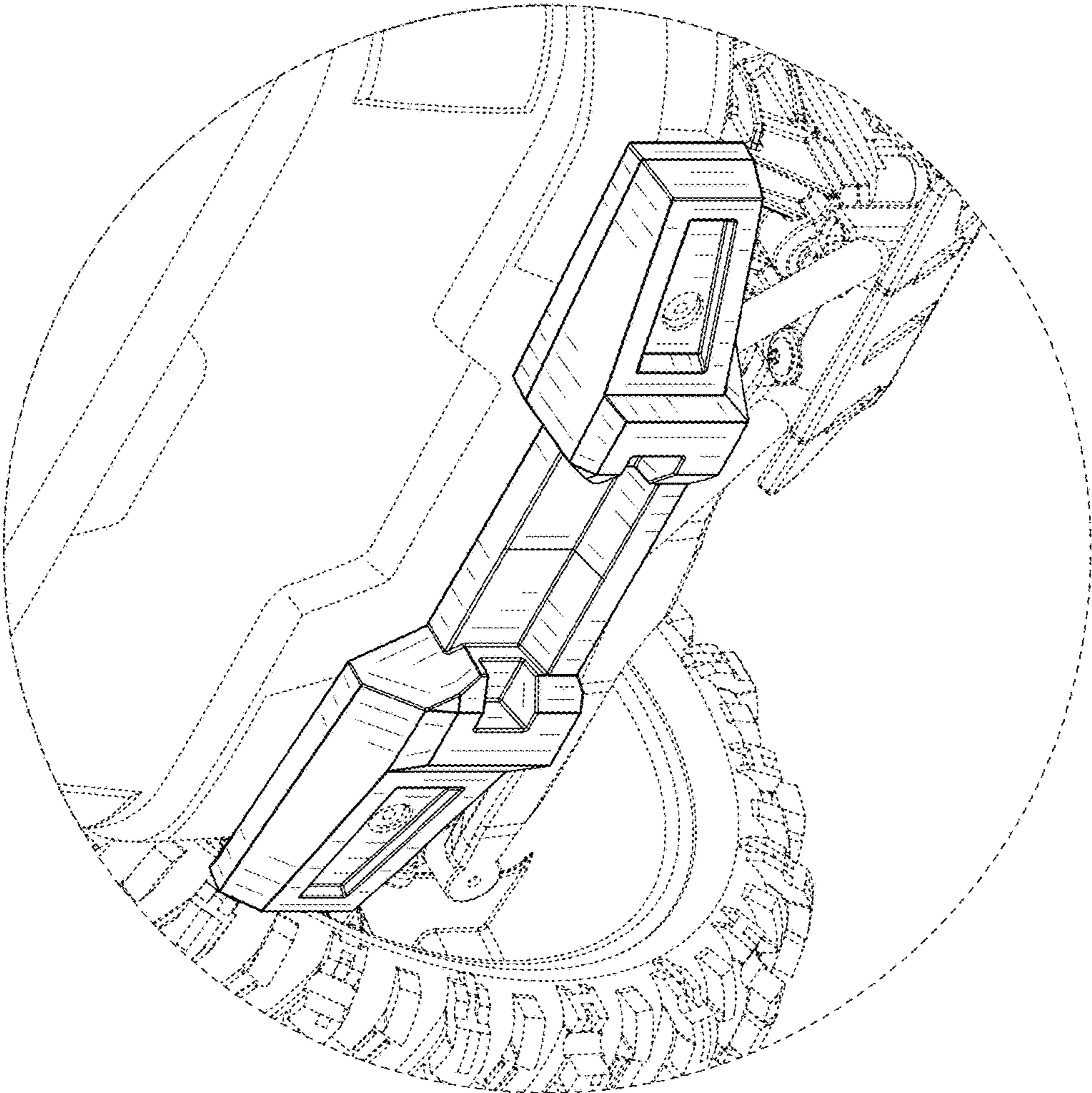


FIG. 7