



US00D777618S

(12) **United States Design Patent** (10) **Patent No.:** **US D777,618 S**
Setina (45) **Date of Patent:** **** Jan. 31, 2017**

(54) **PUSH BUMPER**
(71) Applicant: **Terry L. Setina**, Olympia, WA (US)
(72) Inventor: **Terry L. Setina**, Olympia, WA (US)
(**) Term: **14 Years**
(21) Appl. No.: **29/518,505**
(22) Filed: **Feb. 24, 2015**
(51) **LOC (10) Cl.** **12-16**
(52) **U.S. Cl.**
USPC **D12/171**
(58) **Field of Classification Search**
USPC D12/90-92, 98, 163, 169, 171, 172;
180/86.1, 86.2; 280/163, 164; 293/115,
293/142; 296/183.1
CPC B60R 19/52; B60R 2019/522
See application file for complete search history.

6,839,925 B2 1/2005 Myers
6,905,153 B2 * 6/2005 Murray B60R 19/44
293/115
D508,669 S * 8/2005 Marchese D12/196
D509,466 S * 9/2005 Marchese D12/196
D517,963 S * 3/2006 Potak D12/171
(Continued)

FOREIGN PATENT DOCUMENTS

CA 2790363 11/2013

OTHER PUBLICATIONS

“SsangYong Kyron Accessories 2007 on: Misutonida 4x4.” 2005/66/EC European Directive., Jul. 31, 2008 [online], [retrieved on Apr. 29, 2016]. Retrieved from the Internet <URL: <http://www.4x4ni.com/dat/ec-sb-211-ix-kyron-front-bar-mach.pdf>>.*
(Continued)

Primary Examiner — Darlington Ly
(74) *Attorney, Agent, or Firm* — Klarquist Sparkman, LLP

(56) **References Cited**

U.S. PATENT DOCUMENTS

2,117,519 A * 5/1938 Snyder B60R 19/52
14/8
2,142,069 A * 12/1938 Colley B60R 19/52
293/115
D117,943 S * 12/1939 Bahr D12/171
2,779,620 A 1/1957 Reed
3,704,031 A 11/1972 Confer
4,018,466 A 4/1977 Norlan
4,168,855 A 9/1979 Koch
D275,475 S * 9/1984 Turkleson D12/169
D395,416 S * 6/1998 Shklyaver D12/169
6,113,164 A * 9/2000 Setina B60R 19/54
293/115
6,224,120 B1 5/2001 Eipper et al.
6,318,773 B2 11/2001 Storer
D454,817 S * 3/2002 McGuinness D12/171
6,540,277 B2 * 4/2003 McCoy B60D 1/485
280/495
6,712,410 B2 3/2004 Kudelko et al.
D497,850 S * 11/2004 Dooley D12/169

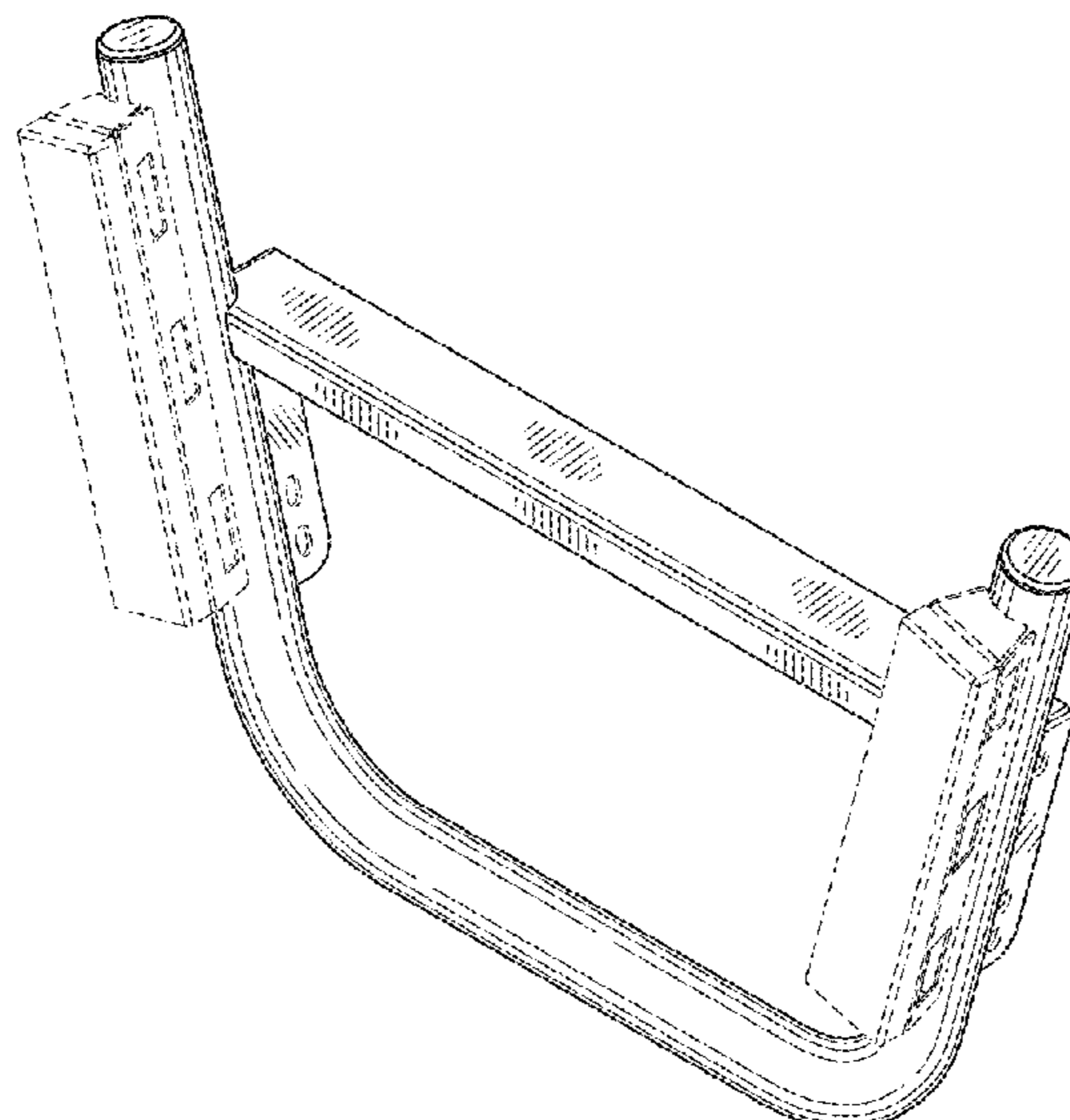
(57) **CLAIM**

I claim the ornamental design for a push bumper, as shown and described.

DESCRIPTION

FIG. 1 is a top and front perspective view of a push bumper according to my new design.
FIG. 2 is right side elevation view thereof, of which the left side elevation view is a mirror image thereto.
FIG. 3 is a rear elevation view thereof.
FIG. 4 is a top plan view thereof.
FIG. 5 is a front elevation view thereof; and,
FIG. 6 is a bottom plan view thereof.
The broken lines in the drawings illustrate portions of the push bumper that forms no part of the claimed design.

1 Claim, 2 Drawing Sheets



(56)

References Cited

U.S. PATENT DOCUMENTS

7,261,346 B1 8/2007 Kubesh
D551,138 S * 9/2007 Storer D12/171
7,306,270 B2 12/2007 Helms et al.
7,347,486 B2 3/2008 Uchida et al.
D575,193 S * 8/2008 Hishiki D12/167
D580,322 S * 11/2008 Schroeder D12/107
8,585,107 B2 * 11/2013 Kekich, Jr. B60R 19/52
293/115
8,939,478 B2 * 1/2015 Fisher B60R 19/54
293/115
D724,505 S * 3/2015 Schroeder D12/171
D743,856 S * 11/2015 Ma D12/171
2001/0024042 A1 9/2001 Usui
2004/0135385 A1 * 7/2004 Murray B60R 19/44
293/142
2006/0113805 A1 6/2006 Wakefield
2011/0006553 A1 1/2011 Fretz et al.

2011/0233946 A1 9/2011 Pellmann et al.
2012/0205965 A1 8/2012 Kuan et al.
2013/0049384 A1 * 2/2013 Kekich, Jr. B60R 19/52
293/115
2013/0134724 A1 * 5/2013 Fisher B60R 19/54
293/142

OTHER PUBLICATIONS

“Aries Big Horn Bull Bar.” Real Truck website., Customer Reviewed since Dec. 20, 2009 [online], [retrieved on Apr. 29, 2016]. Retrieved from the Internet <URL: <https://www.realtruck.com/aries-big-horn-bull-bar/>>.*
“Outland Bull Bars.” Real Truck website., Customer Reviewed since Oct. 23, 2012 [online], [retrieved on Apr. 29, 2016]. Retrieved from the Internet <URL: <https://www.realtruck.com/outland-bull-bars/>>.*

* cited by examiner

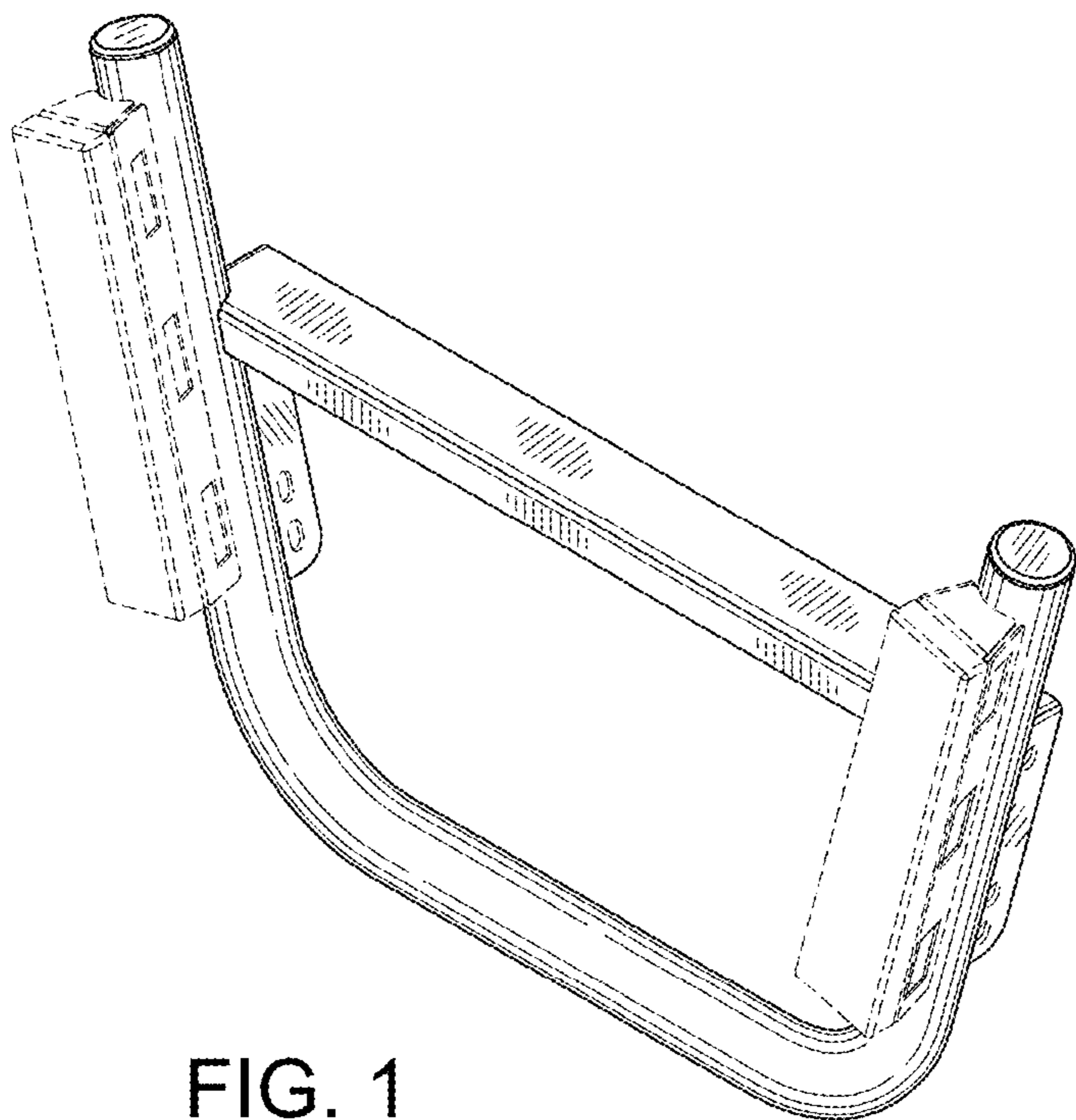


FIG. 1

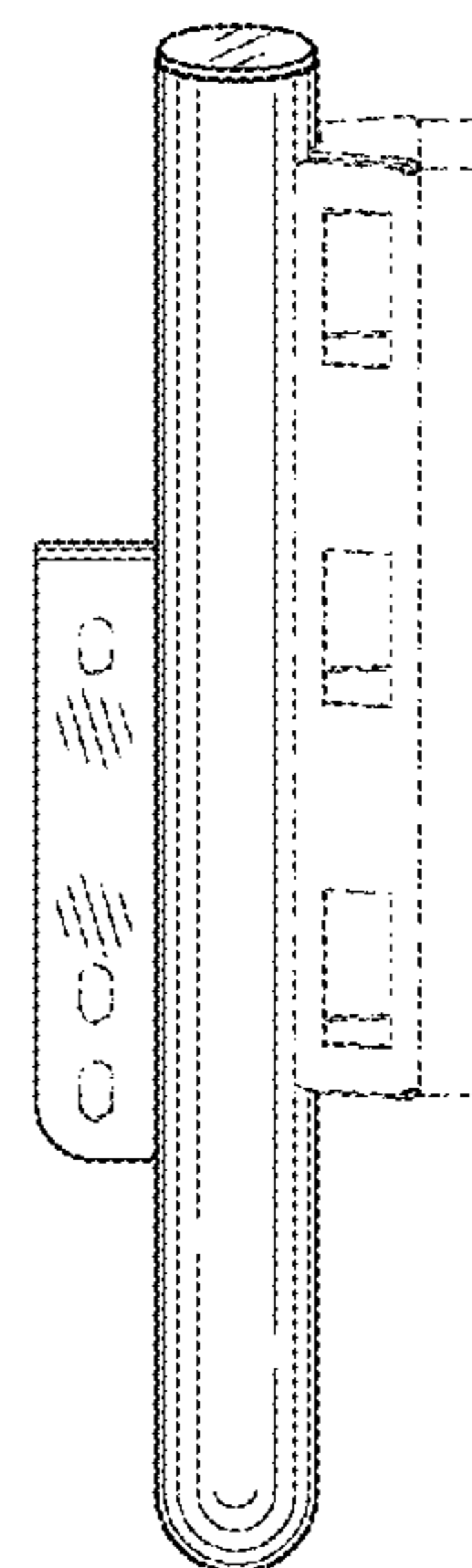


FIG. 2

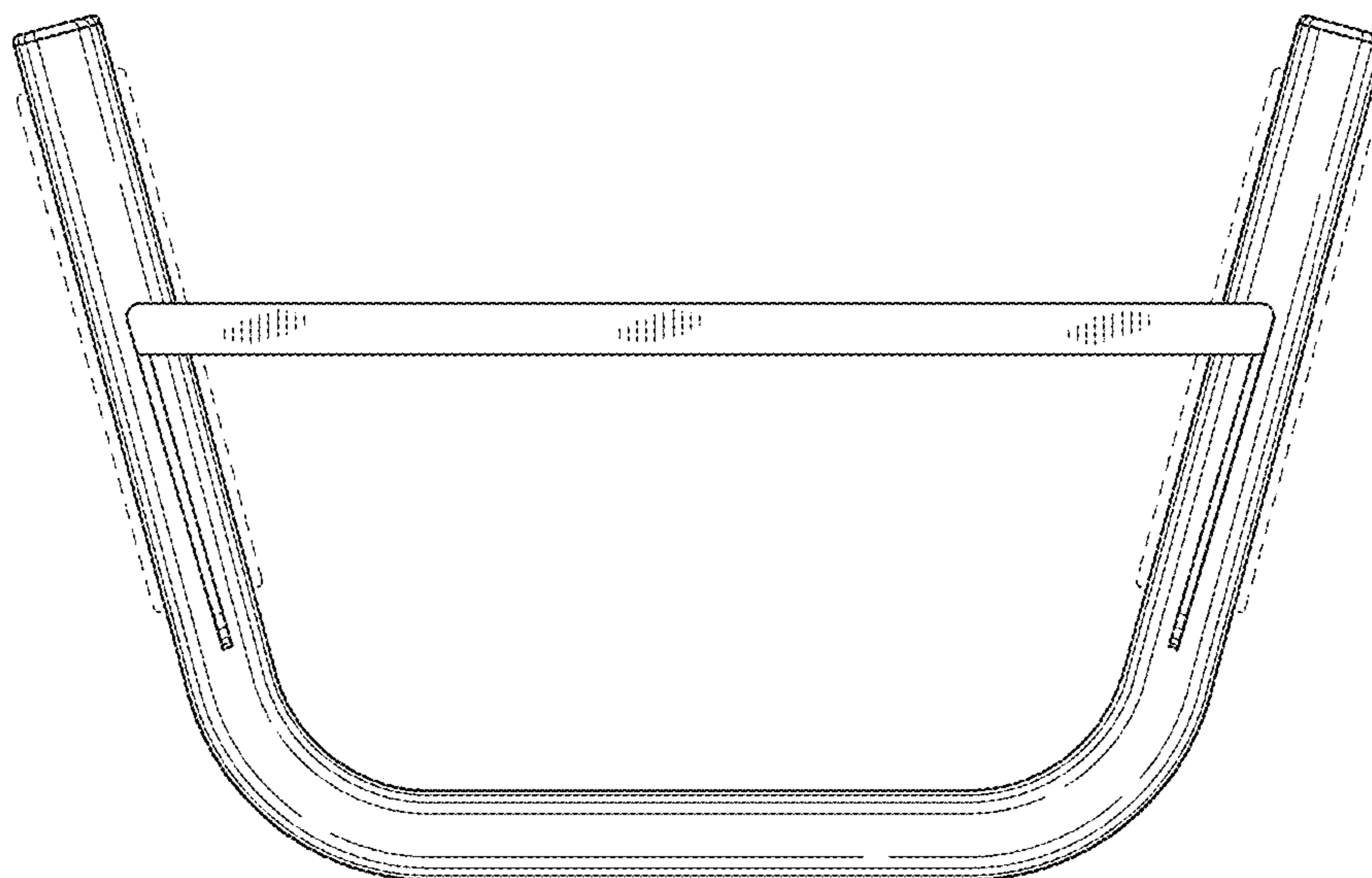


FIG. 3

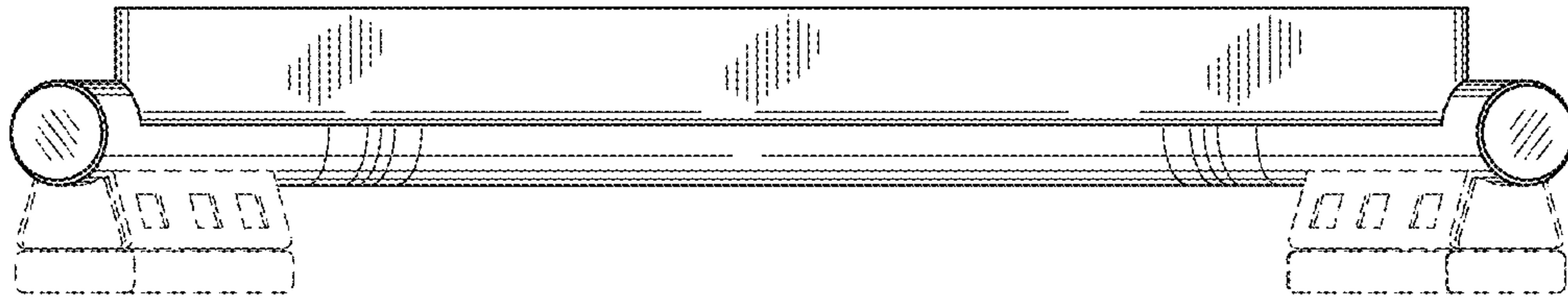


FIG. 4

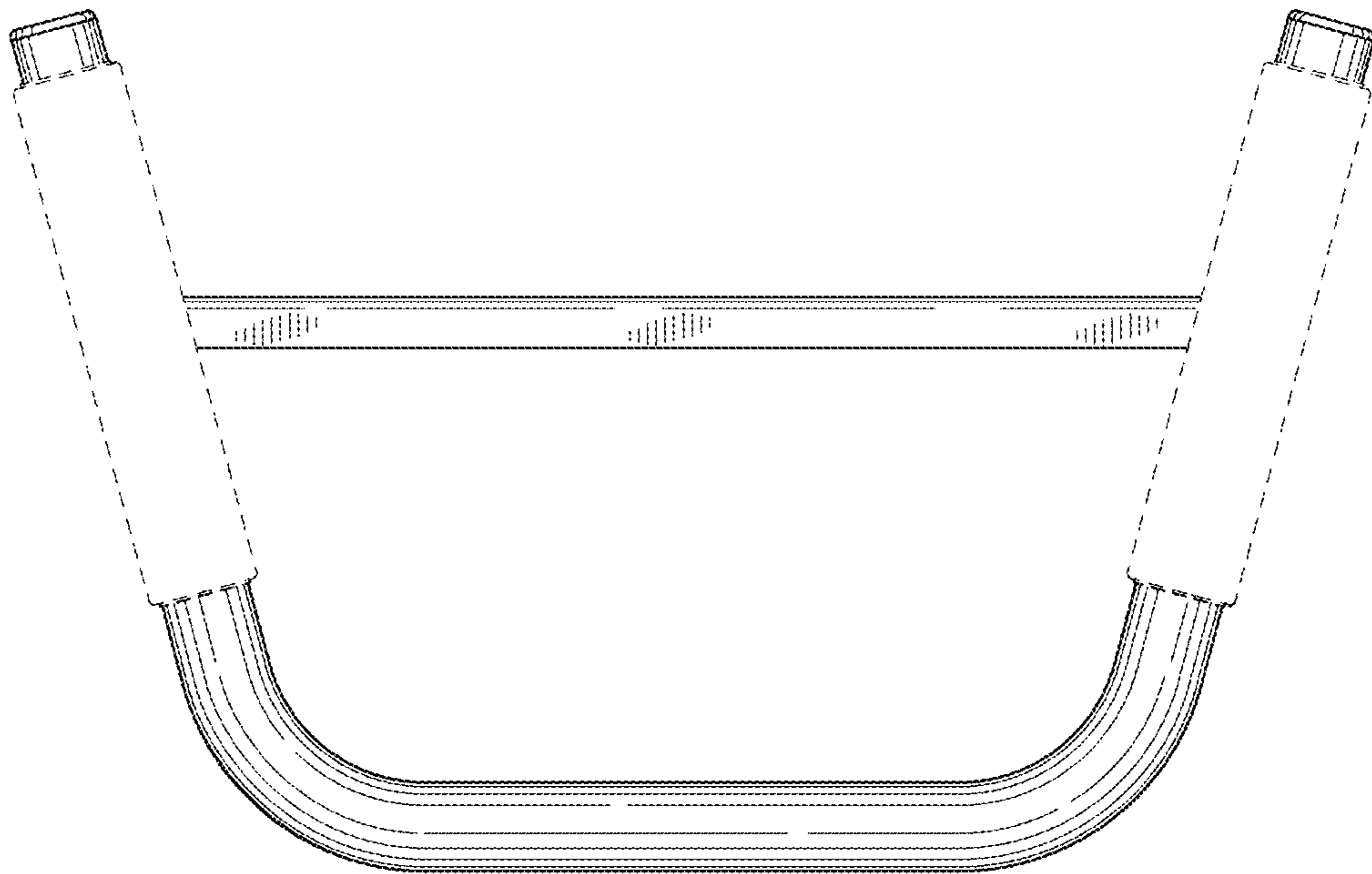


FIG. 5

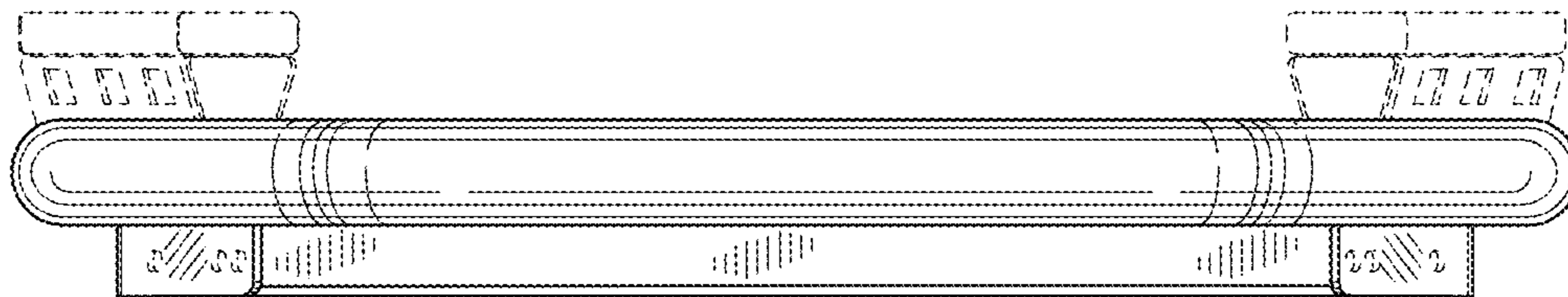


FIG. 6