



US00D777615S

(12) **United States Design Patent**
Hanson et al.

(10) **Patent No.:** **US D777,615 S**
(45) **Date of Patent:** **** Jan. 31, 2017**

(54) **TRUCK GRILLE SURROUND**

CPC B62D 25/08; B62B 9/16; B60K 11/08;
B60R 19/52
See application file for complete search history.

(71) Applicant: **Caterpillar Inc.**, Peoria, IL (US)

(56) **References Cited**

(72) Inventors: **Eric Hanson**, Valparaiso, IN (US);
Curt Wilson, Naperville, IL (US)

U.S. PATENT DOCUMENTS

(73) Assignee: **Caterpillar Inc.**, Peoria, IL (US)

D655,226	S	*	3/2012	Hanson	D12/163
D683,280	S	*	5/2013	Hanson	D12/163
D685,294	S	*	7/2013	Hanson	D12/93
D710,766	S	*	8/2014	Hanson	D12/163
D729,134	S	*	5/2015	Hanson	D12/163
D742,287	S	*	11/2015	Hanson	D12/163
D746,184	S	*	12/2015	Hanson	D12/163

(**) Term: **15 Years**

* cited by examiner

(21) Appl. No.: **29/539,785**

Primary Examiner — Melody N. Brown

(22) Filed: **Sep. 17, 2015**

(74) *Attorney, Agent, or Firm* — Finnegan, Henderson,
Farabow, Garrett & Dunner, LLP

(57) **CLAIM**

The ornamental design for truck grille surround, as shown and described.

Related U.S. Application Data

DESCRIPTION

(62) Division of application No. 29/486,942, filed on Apr. 4, 2014, now Pat. No. Des. 742,287.

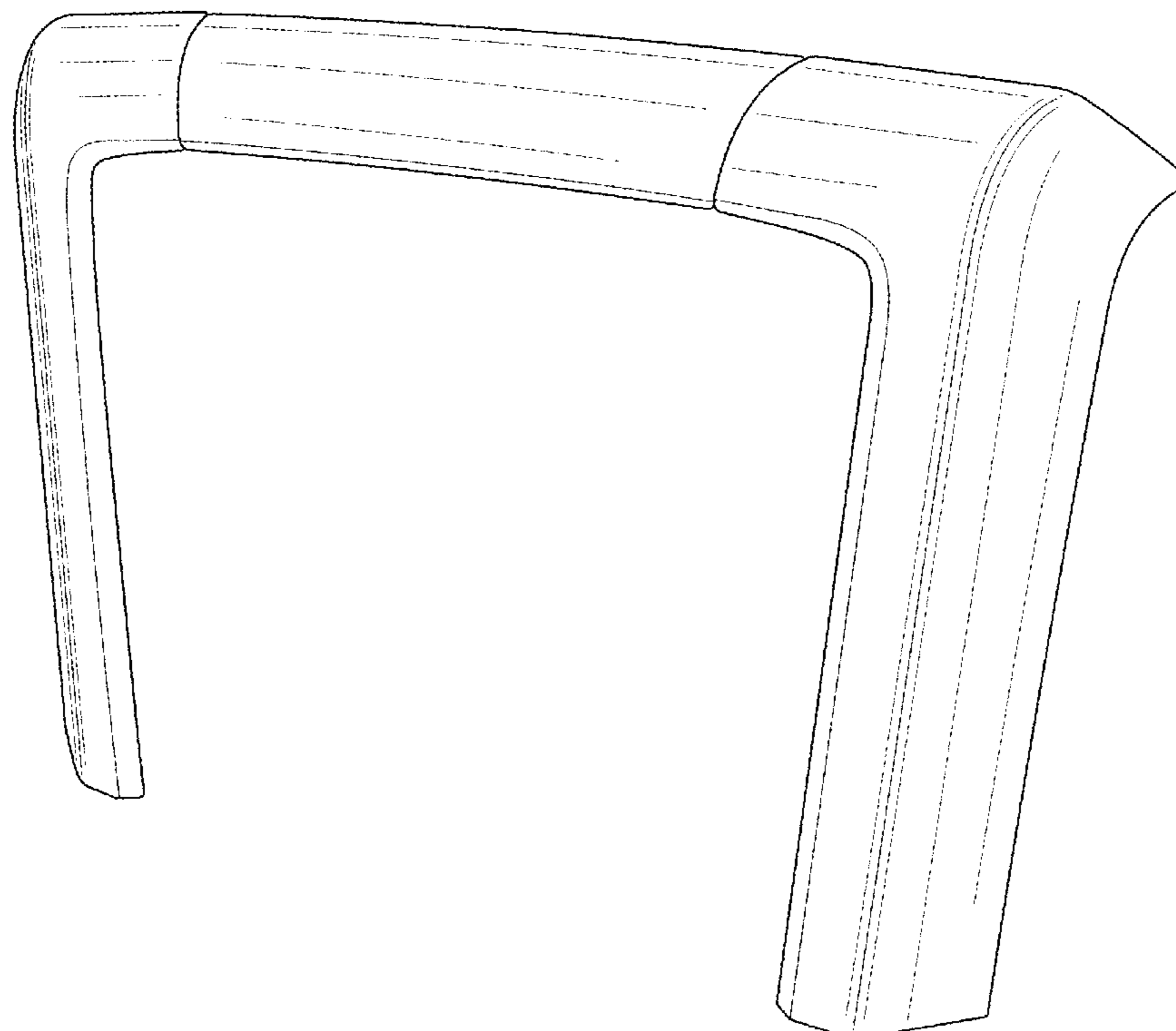
FIG. 1 is a front left perspective view of a truck grille surround showing our new design;
FIG. 2 is a front elevation view thereof;
FIG. 3 is a left side view thereof, the right side view being a mirror image thereof;
FIG. 4 is a top plan view thereof; and,
FIG. 5 is a bottom plan view thereof.
The rear and bottom views are not seen during ordinary use and are not part of the claimed design.

(51) **LOC (10) Cl.** **12-16**

(52) **U.S. Cl.**
USPC **D12/163**

1 Claim, 4 Drawing Sheets

(58) **Field of Classification Search**
USPC D12/163, 196, 86, 90-92, 171, 169, 216;
180/68.1, 68.6; 293/193.11



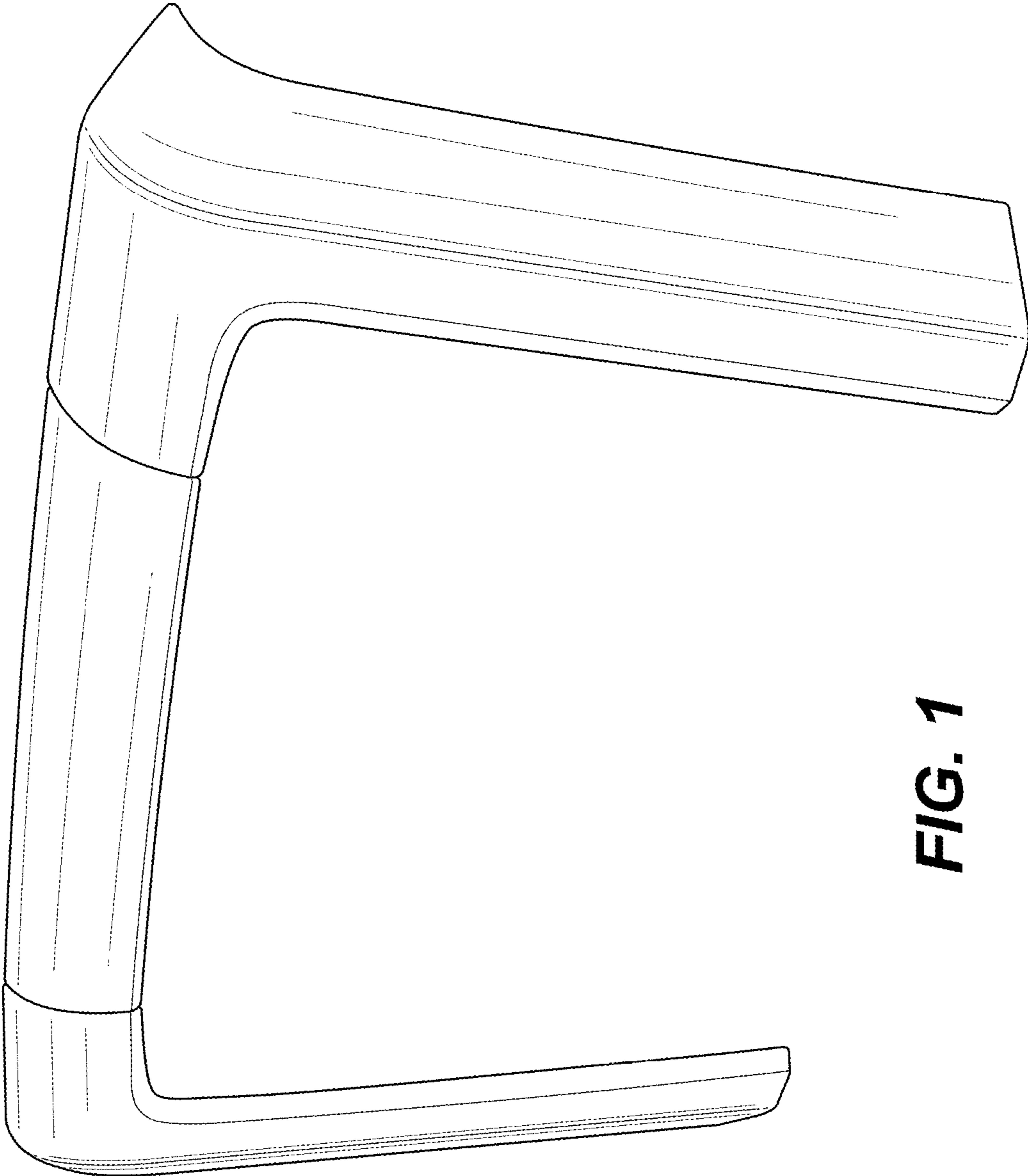


FIG. 1

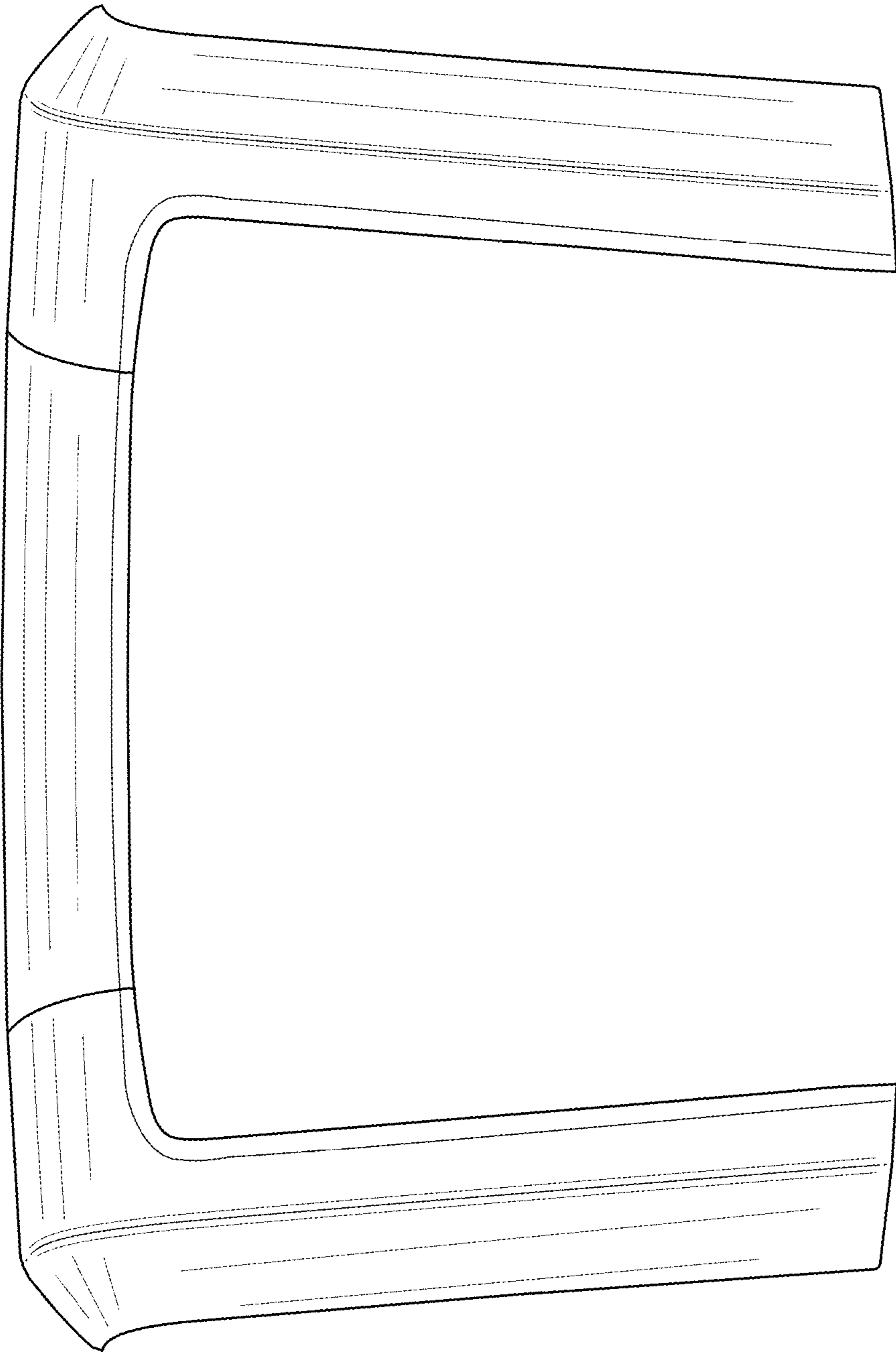


FIG. 2

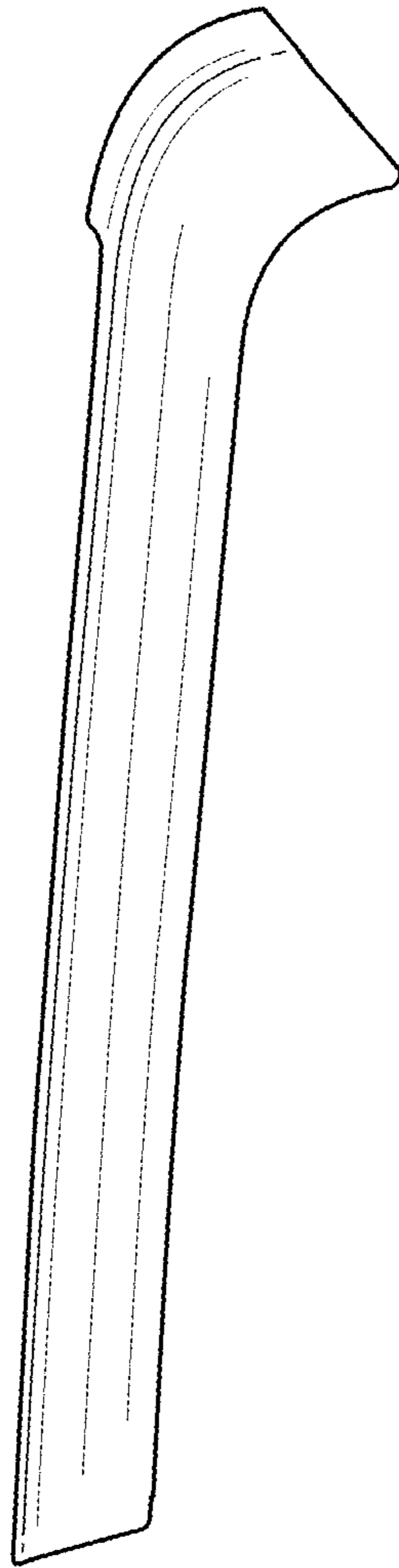


FIG. 3

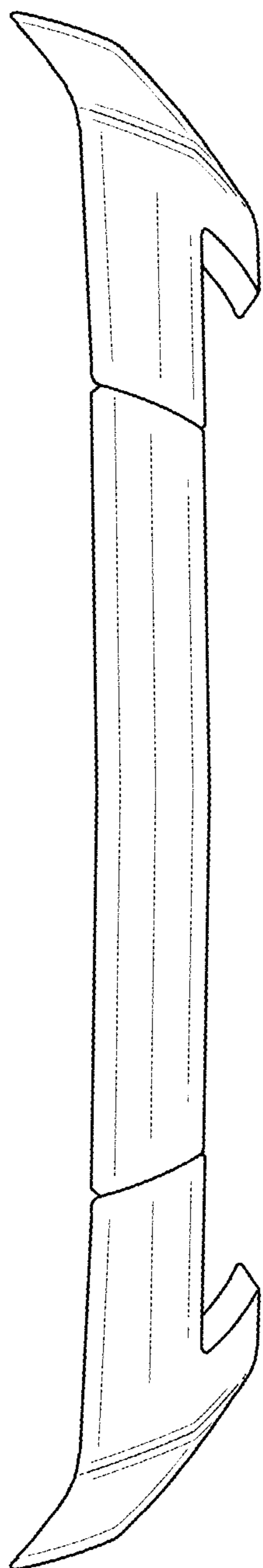


FIG. 4

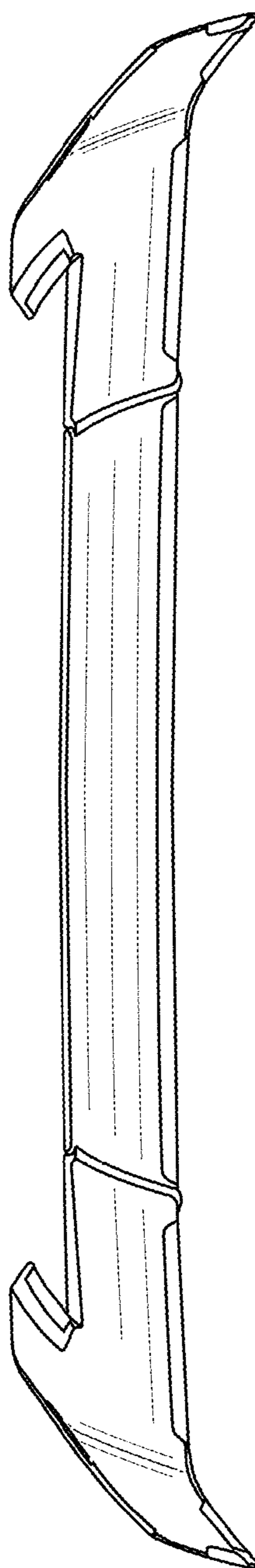


FIG. 5