



US00D777613S

(12) **United States Design Patent** (10) **Patent No.:** **US D777,613 S**  
**Rupar et al.** (45) **Date of Patent:** **\*\* Jan. 31, 2017**

(54) **VEHICLE FRONT LOWER GRILLE**

(71) Applicant: **Ford Motor Company**, Dearborn, MI (US)

(72) Inventors: **Ernesto Rupar**, Cologne (DE); **Claudio Messale**, Cologne (DE)

(73) Assignee: **Ford Motor Company**, Dearborn, MI (US)

(\*\*) Term: **14 Years**

(21) Appl. No.: **29/519,969**

(22) Filed: **Mar. 10, 2015**

(51) **LOC (10) Cl.** ..... **12-16**

(52) **U.S. Cl.**  
USPC ..... **D12/163**

(58) **Field of Classification Search**  
USPC ..... D12/86, 90, 91, 92, 163, 169, 196, 171, D12/216; D15/31; 180/68.1, 68.6; 293/103, 115, 117, 120, 193.1, 193.11  
CPC . B60R 19/52; B60R 2019/525; B60K 11/085; B62D 25/084; H01Q 1/32  
See application file for complete search history.

(56) **References Cited**

U.S. PATENT DOCUMENTS

|                |         |           |       |             |
|----------------|---------|-----------|-------|-------------|
| RE34,907 E *   | 4/1995  | Gross     | ..... | B60K 11/085 |
|                |         |           |       | 160/DIG. 1  |
| 6,702,343 B1 * | 3/2004  | Stull     | ..... | B60R 19/52  |
|                |         |           |       | 180/68.6    |
| 6,921,117 B2 * | 7/2005  | Rackham   | ..... | B60R 19/52  |
|                |         |           |       | 293/115     |
| D561,654 S *   | 2/2008  | Platto    | ..... | D12/163     |
| D578,443 S *   | 10/2008 | Schiavone | ..... | D12/163     |
| D593,460 S *   | 6/2009  | Schiavone | ..... | D12/163     |
| D603,305 S *   | 11/2009 | Woolley   | ..... | D12/163     |
| D615,008 S *   | 5/2010  | Lamm      | ..... | D12/163     |
| D637,117 S *   | 5/2011  | Lamm      | ..... | D12/163     |

|              |         |            |       |         |
|--------------|---------|------------|-------|---------|
| D680,921 S * | 4/2013  | Jara       | ..... | D12/163 |
| D692,806 S * | 11/2013 | Hamilton   | ..... | D12/169 |
| D698,703 S * | 2/2014  | Rupar      | ..... | D12/163 |
| D698,704 S * | 2/2014  | Rupar      | ..... | D12/163 |
| D698,705 S * | 2/2014  | Rupar      | ..... | D12/163 |
| D701,804 S * | 4/2014  | Campbell   | ..... | D12/169 |
| D720,263 S * | 12/2014 | Pevovar    | ..... | D12/163 |
| D726,598 S * | 4/2015  | Rupar      | ..... | D12/163 |
| D727,804 S * | 4/2015  | Nurnberger | ..... | D12/163 |
| D730,785 S * | 6/2015  | Hammoud    | ..... | D12/163 |
| D742,796 S * | 11/2015 | Loeb       | ..... | D12/163 |

OTHER PUBLICATIONS

“Replacement Center Grille Assembly Replacement-Textured Black,Plastic,Bumper Grille.” Discount Body Parts., Sep. 18, 2014 [online], [retrieved on Sep. 29, 2016]. Retrieved from the Internet <URL: [http://www.discountbodyparts.com/catalog/feeds/Ford/Fusion/Replacement/Grille\\_Assembly/2015/REPF015323.html?dbpcid=gglpla](http://www.discountbodyparts.com/catalog/feeds/Ford/Fusion/Replacement/Grille_Assembly/2015/REPF015323.html?dbpcid=gglpla)>.\*

(Continued)

*Primary Examiner* — Darlington Ly  
(74) *Attorney, Agent, or Firm* — Damian Porcari

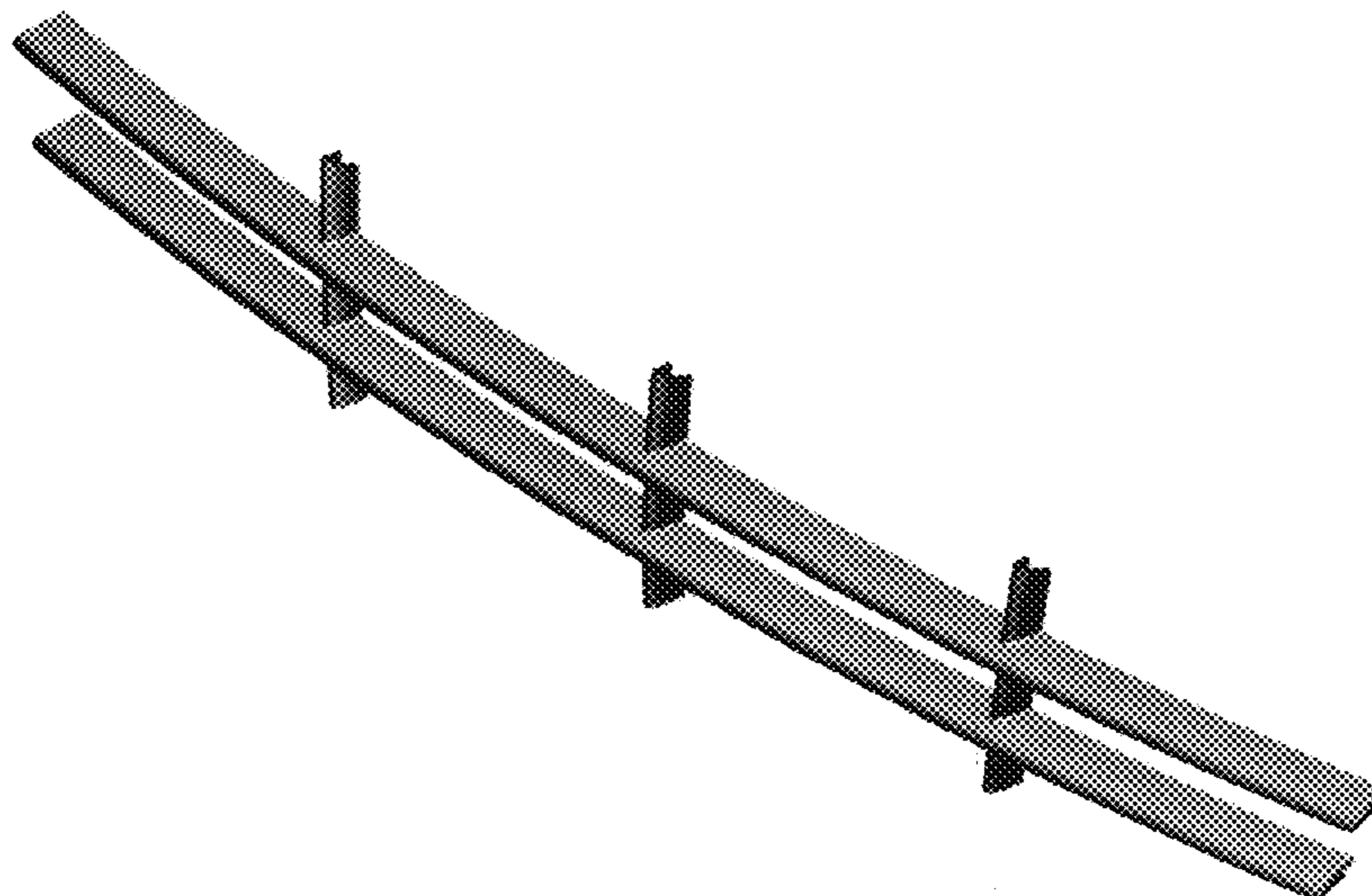
(57) **CLAIM**

The ornamental design for a vehicle front lower grille, as shown and described.

**DESCRIPTION**

FIG. 1 is a top left perspective view of a vehicle front lower grille;  
FIG. 2 is a top right perspective view thereof;  
FIG. 3 is a top rear perspective view thereof;  
FIG. 4 is front elevational view thereof;  
FIG. 5 is rear elevational view thereof;  
FIG. 6 is a left side elevational view thereof;  
FIG. 7 is a right side elevational view thereof;  
FIG. 8 is a top plan view thereof; and,  
FIG. 9 is bottom plan view thereof.

**1 Claim, 9 Drawing Sheets**



(56)

**References Cited**

OTHER PUBLICATIONS

“2015 Fiesta+ST.” Auto Brochures., Oct. 6, 2014 [online], [retrieved on Sep. 29, 2016]. Retrieved from the Internet <URL: [http://www.auto-brochures.com/makes/Ford/Fiesta/Ford\\_US%20Fiesta\\_2015.pdf](http://www.auto-brochures.com/makes/Ford/Fiesta/Ford_US%20Fiesta_2015.pdf)>.\*

“2014 Fusion + Hybrid. Fusion Energy.” Auto Brochures., Nov. 30, 2013 [online], [retrieved on Sep. 29, 2016]. Retrieved from the Internet <URL: [http://www.auto-brochures.com/makes/Ford/Fusion/Ford\\_US%20Fusion\\_2014.pdf](http://www.auto-brochures.com/makes/Ford/Fusion/Ford_US%20Fusion_2014.pdf)>.\*

\* cited by examiner

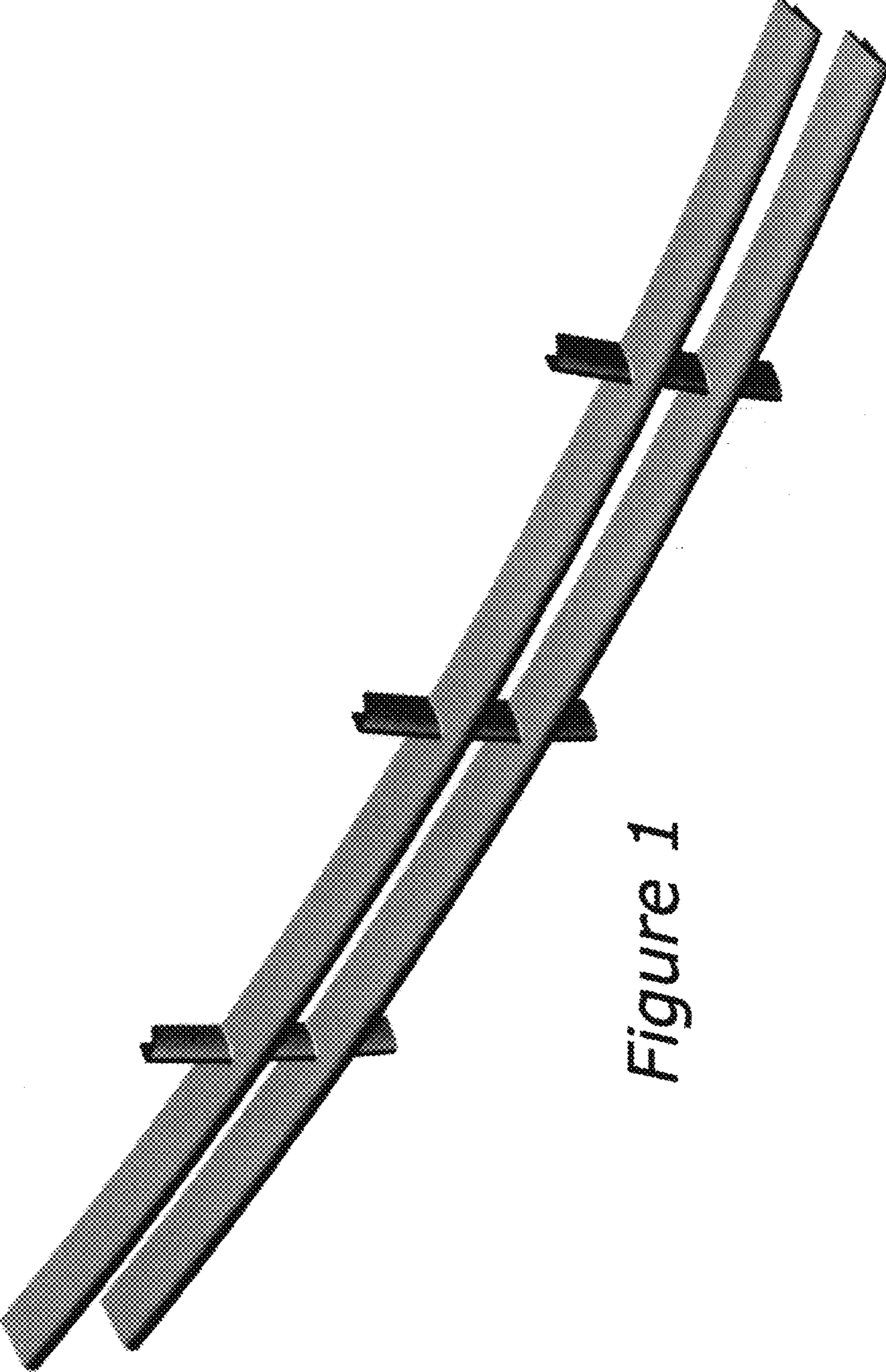


Figure 1

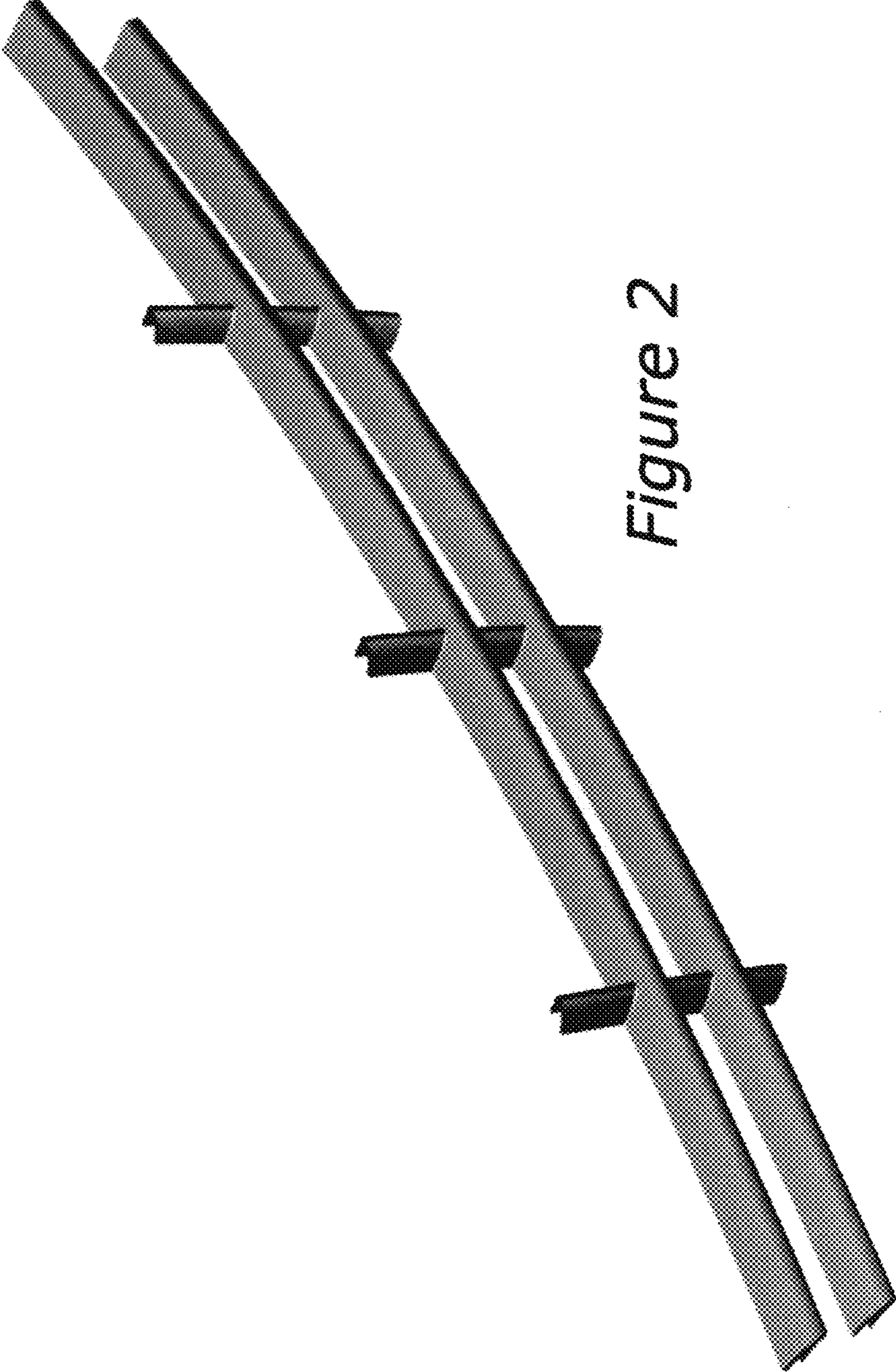


Figure 2

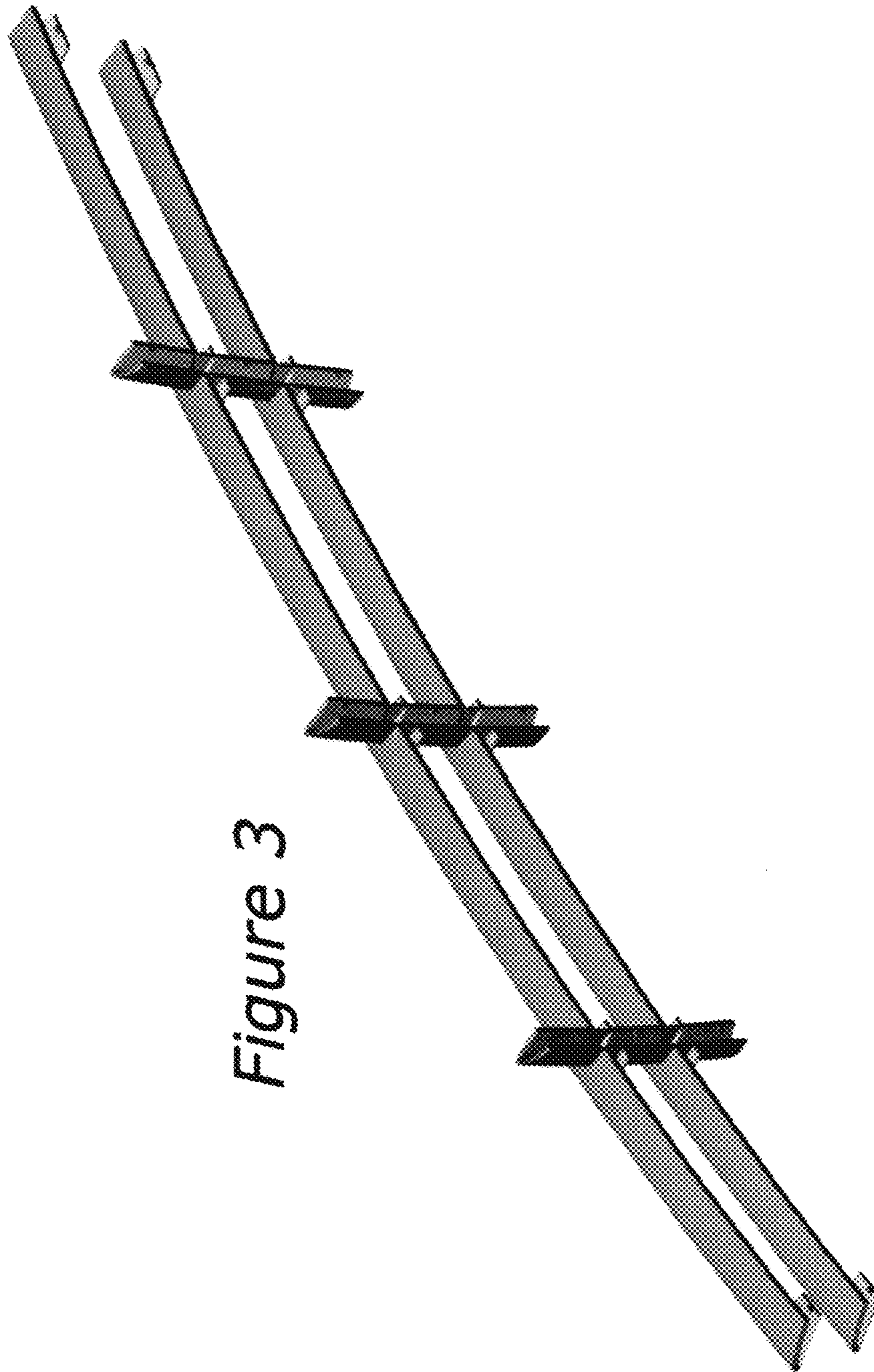


Figure 3

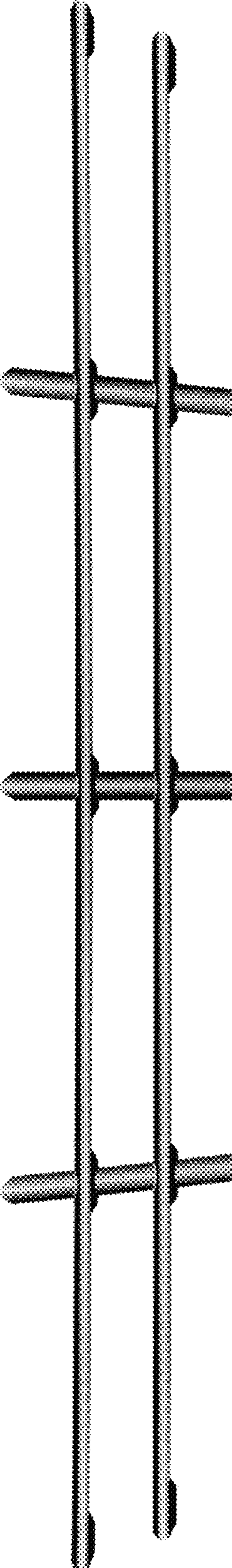


Figure 4

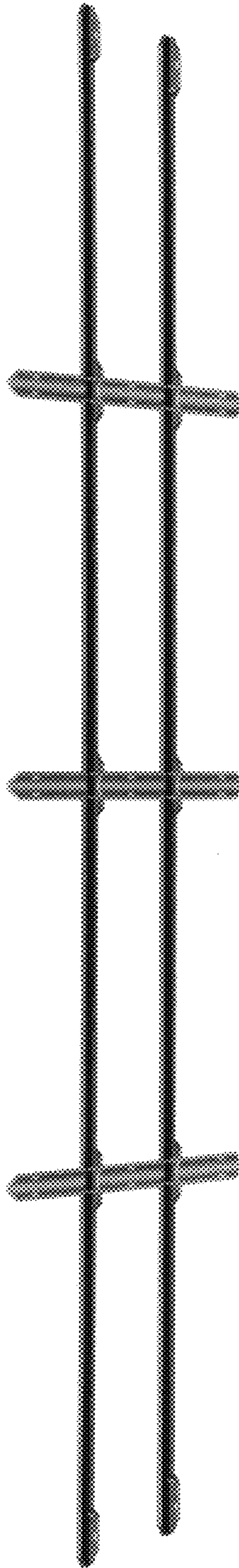


Figure 5

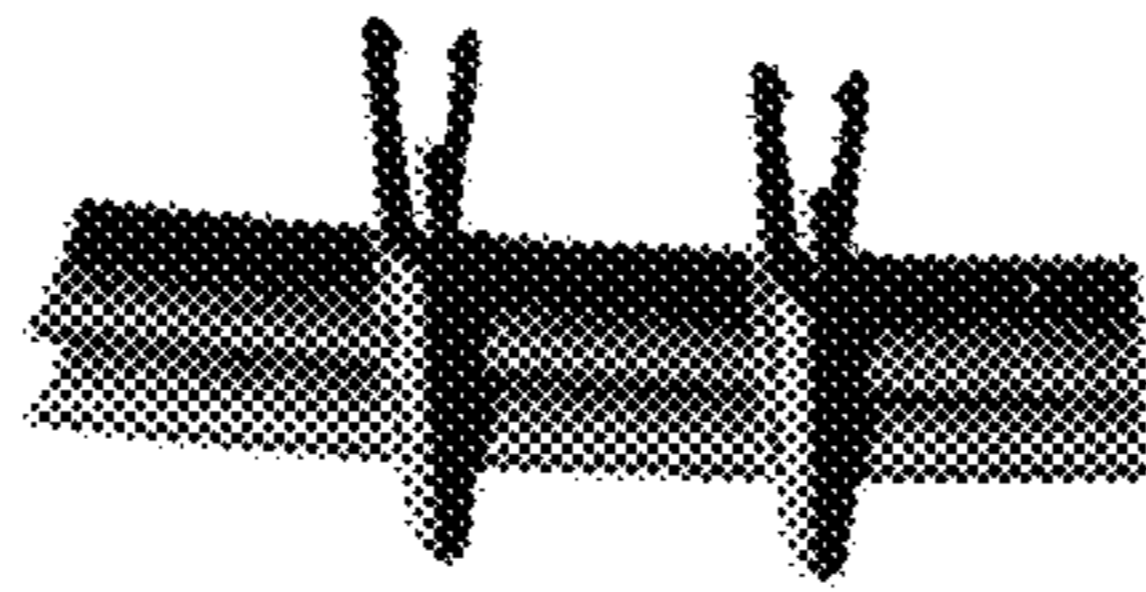


Figure 6



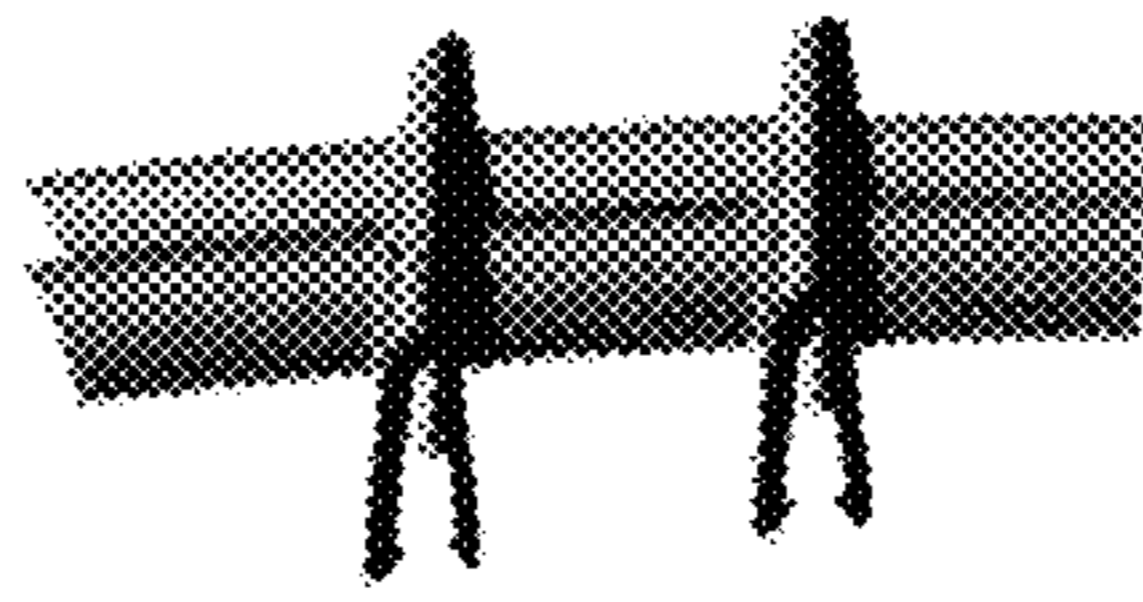


Figure 7

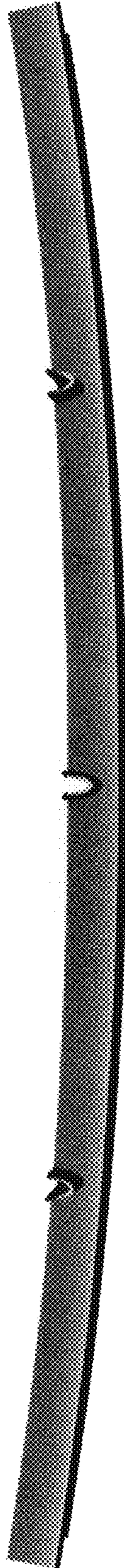


Figure 8

Figure 9

