

US00D777612S

(12) **United States Design Patent**
Demberg

(10) **Patent No.: US D777,612 S**

(45) **Date of Patent: ** Jan. 31, 2017**

- (54) **BICYCLE PEDAL STRAP**
- (71) Applicant: **Seth Demberg**, Alexandria, VA (US)
- (72) Inventor: **Seth Demberg**, Alexandria, VA (US)
- (**) Term: **14 Years**
- (21) Appl. No.: **29/503,681**
- (22) Filed: **Sep. 29, 2014**
- (51) **LOC (10) Cl. 12-11**
- (52) **U.S. Cl.**
USPC **D12/125**; D12/114
- (58) **Field of Classification Search**
USPC D2/189, 624, 627, 639, 900, 916-918,
D2/943, 946, 969, 974, 976; D3/218;
D12/111-113, 125; D21/683; D24/189,
D24/190, 191, 200, 206; 36/2 R, 3 A,
36/9 R, 7.5, 11.5, 50.1, 89, 90, 96, 97,
36/100, 101, 114, 132; 74/594.1-594.7;
280/291; 296/75
CPC B62M 3/086; A43B 5/14; A43C 11/14
See application file for complete search history.

- 4,870,873 A * 10/1989 Tackles A43B 5/14
74/594.6
- 5,097,687 A * 3/1992 Turrin B62M 3/083
24/535
- D365,923 S * 1/1996 Crowley D2/974
- D615,285 S * 5/2010 Martin D2/946
- D671,039 S * 11/2012 Deng D12/125
- 2002/0189395 A1* 12/2002 Vito B62M 3/083
74/594.6
- 2012/0192459 A1* 8/2012 Aderonke A43C 11/24
36/136

(56) **References Cited**

U.S. PATENT DOCUMENTS

- 3,842,688 A * 10/1974 Baginski B62M 3/083
24/16 PB
- 4,200,005 A * 4/1980 Mohr B62M 3/083
74/594.4
- D275,846 S * 10/1984 Buchanan, Jr. D12/125
- 4,541,627 A 9/1985 MacLean et al.
- 4,547,983 A * 10/1985 Brandt A43B 5/14
36/113
- 4,756,523 A 7/1988 Rasmussen
- D302,259 S * 7/1989 Konzorr D12/125
- 4,846,461 A 7/1989 Robards, Jr. et al.
- 4,856,211 A * 8/1989 Phillips A43B 5/14
36/131

OTHER PUBLICATIONS

- <http://www.amazon.com/Fixed-Gear-Fixie-Pedals-Strap/dp/B00CMED838> (May 2, 2013).
- <http://www.ebay.com/itm/like/300939012407?ipid=82> (Apr. 2, 2012).

* cited by examiner

Primary Examiner — Darlington Ly
(74) *Attorney, Agent, or Firm* — Robert C Montgomery;
Montgomery Patent & Design LP

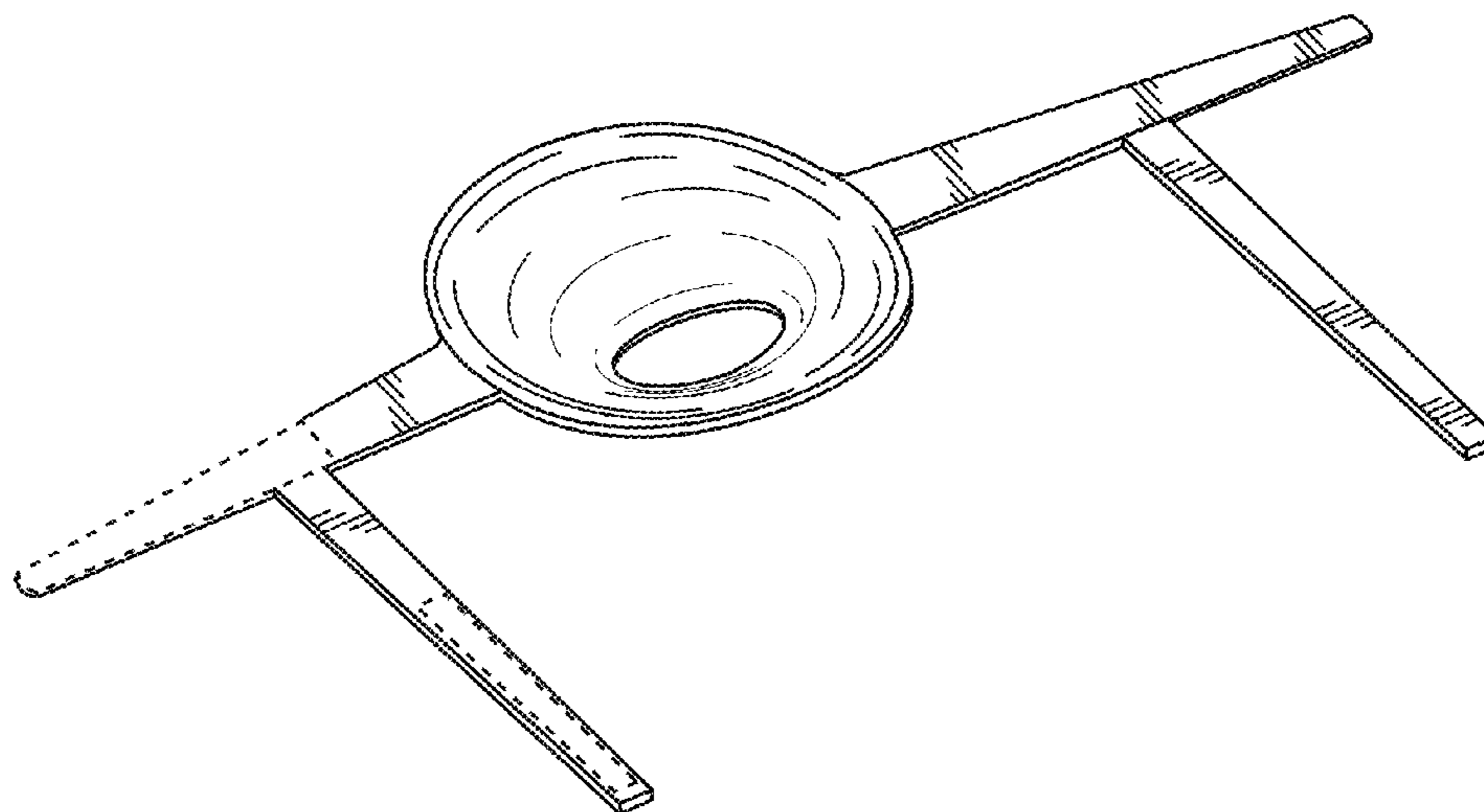
(57) **CLAIM**

The ornamental design for a bicycle pedal strap, as shown and described.

DESCRIPTION

FIG. 1 is a top, front and right side perspective view of the bicycle pedal strap showing my new design;
FIG. 2 is a top plan view thereof;
FIG. 3 is a bottom plan view thereof;
FIG. 4 is an enlarged right side elevation view thereof;
FIG. 5 is an enlarged left side elevation view thereof;
FIG. 6 is a front elevation view thereof; and,
FIG. 7 is a rear elevation view thereof.
The broken lines in the drawing indicate boundaries that form no part of the design to be patented.

1 Claim, 7 Drawing Sheets



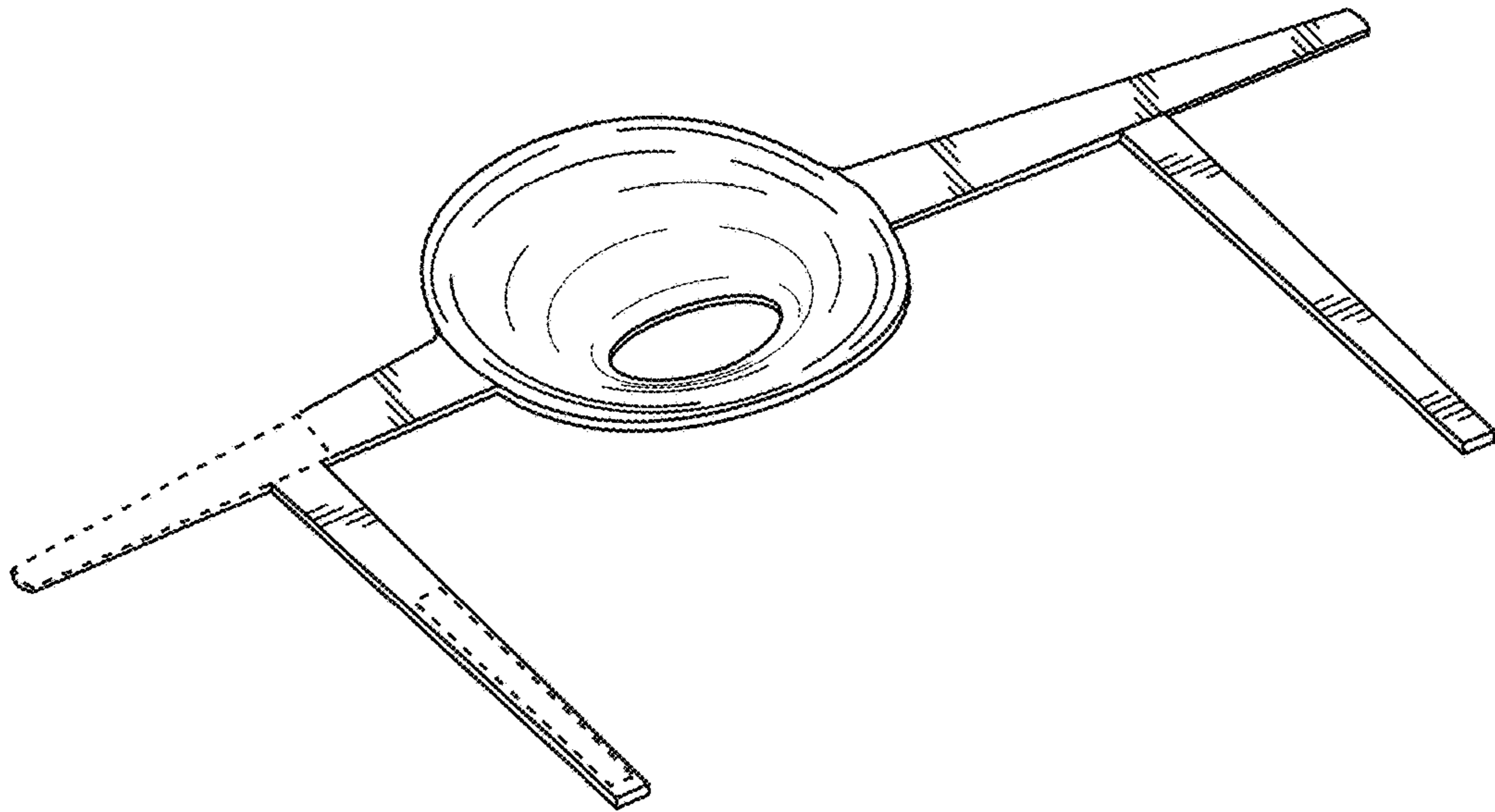


Fig. 1

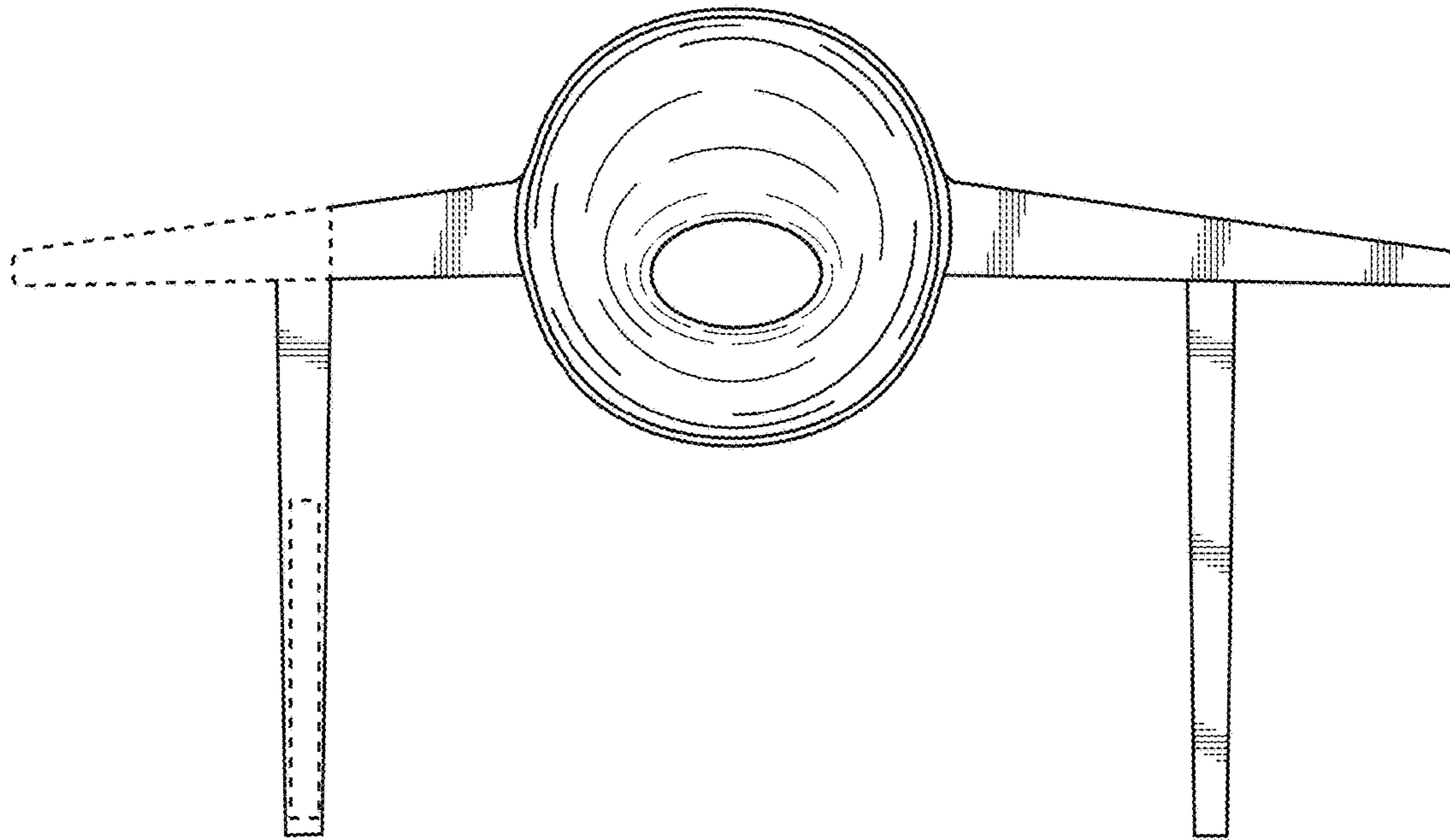


Fig. 2

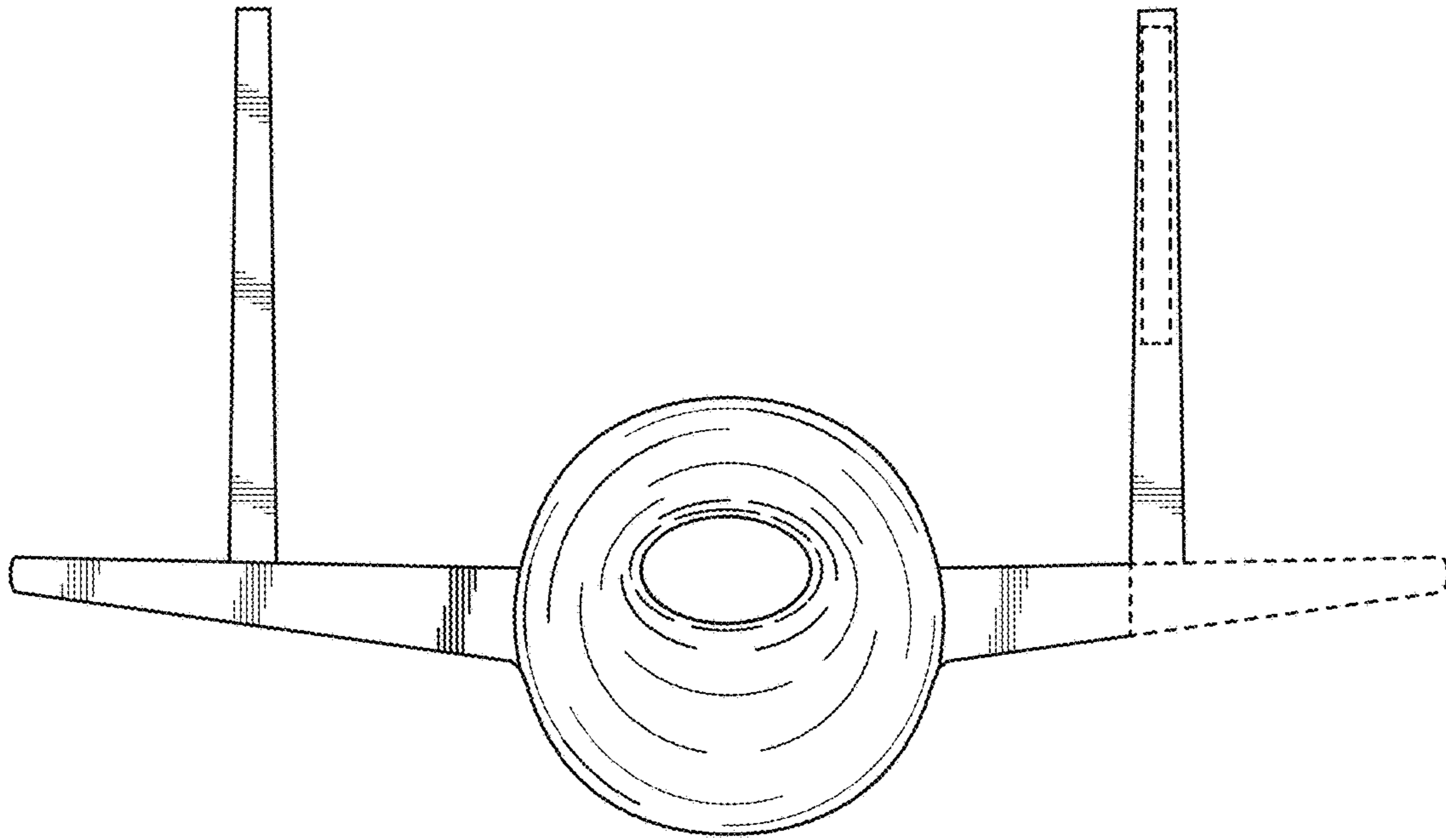


Fig. 3



Fig. 4

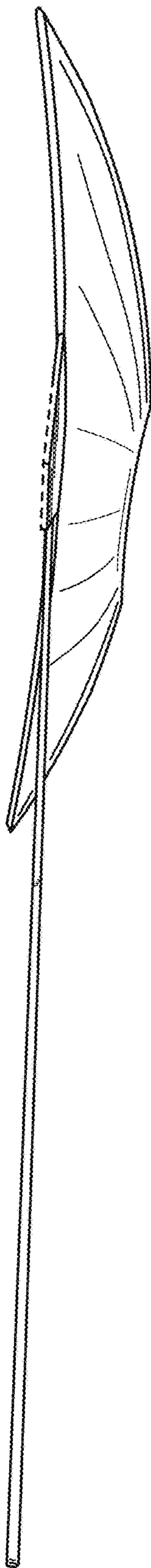


Fig. 5

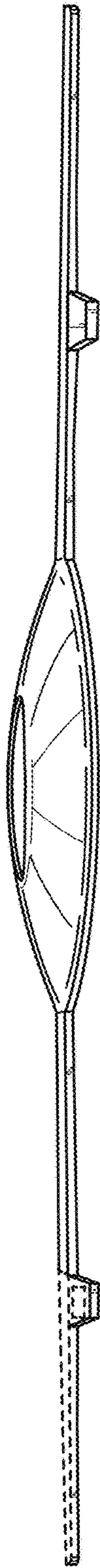


Fig. 6



Fig. 7