



US00D777608S

(12) **United States Design Patent**  
**Androski et al.**

(10) **Patent No.:** **US D777,608 S**

(45) **Date of Patent:** **\*\* Jan. 31, 2017**

- (54) **THREE WHEELED VEHICLE**
- (71) Applicant: **Huffy Corporation**, Centerville, OH (US)
- (72) Inventors: **Alex William Androski**, Dayton, OH (US); **Jason David Jewell**, Huber Heights, OH (US); **Andrew John Bean**, Cincinnati, OH (US)
- (73) Assignee: **Huffy Corporation**, Centerville, OH (US)
- (\*\*) Term: **15 Years**
- (21) Appl. No.: **29/531,896**
- (22) Filed: **Jun. 30, 2015**
- (51) **LOC (10) Cl.** ..... **12-11**
- (52) **U.S. Cl.**  
USPC ..... **D12/112; D12/85; D21/435**
- (58) **Field of Classification Search**  
USPC ..... D12/1, 107, 110-114, 129, 130, 133; D21/412, 414, 419, 423-428, 431-435; 280/29, 47.17, 47.25, 47.34, 47.38, 47.4, 280/87.01, 87.021, 87.05, 87.051, 200, 280/263, 266, 267, 270, 282, 288.4, 291, 280/293, 827, 828  
CPC ..... B62K 3/005; B62K 9/02; B62M 1/32; B62M 1/38  
See application file for complete search history.

- 4,746,135 A \* 5/1988 Oh ..... B62K 9/02 280/262
- 4,789,173 A \* 12/1988 Lofgren ..... B62K 3/005 280/282
- 5,568,935 A \* 10/1996 Mason ..... B62K 3/005 280/266

(Continued)

**FOREIGN PATENT DOCUMENTS**

AU 314839 6/2007

**OTHER PUBLICATIONS**

Sooney, Pia. "The Green Machine—Childhood Bliss." *Totally 80s.*, Apr. 28, 2011 [online], [retrieved on Oct. 19, 2016]. Retrieved from the Internet <URL: <http://www.liketotally80s.com/2011/04/green-machine/>>.\*

(Continued)

*Primary Examiner* — Darlington Ly

(74) *Attorney, Agent, or Firm* — Wood Herron & Evans LLP

(57) **CLAIM**

The ornamental design for a three wheeled vehicle, as shown and described.

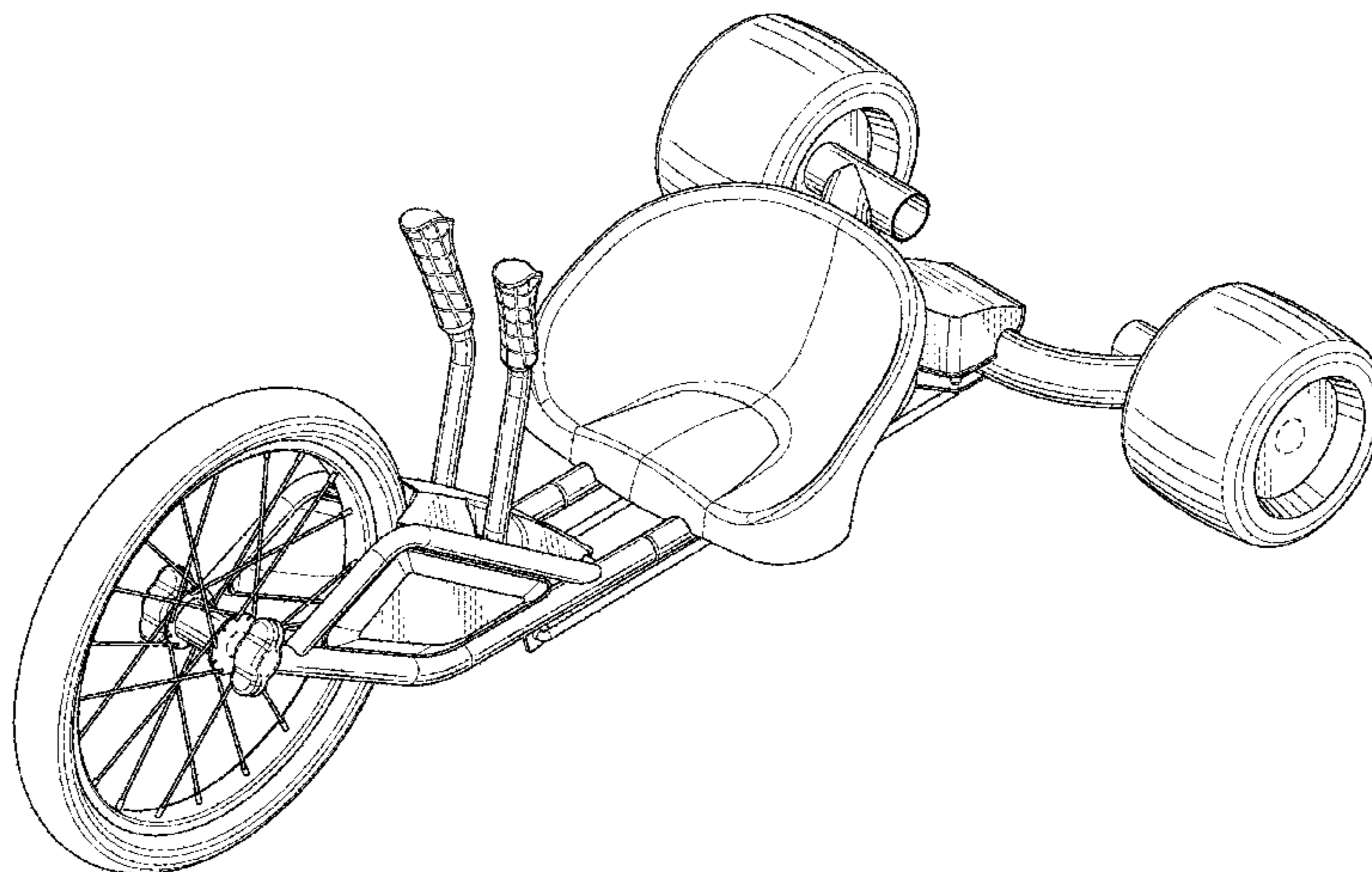
**DESCRIPTION**

FIG. 1 is a front and right side isometric view of the three wheeled vehicle showing our new invention; FIG. 2 is a rear and right side isometric view of the invention of FIG. 1; FIG. 3 is a right side view of the invention of FIG. 1; FIG. 4 is a left side view of the invention of FIG. 1; FIG. 5 is a front view of the invention of FIG. 1; FIG. 6 is a rear view of the invention of FIG. 1; and, FIG. 7 is a top view of the invention of FIG. 1. The broken lines in the drawings illustrate portions of the three wheeled vehicle that forms no part of the claimed design.

**1 Claim, 6 Drawing Sheets**

(56) **References Cited**  
**U.S. PATENT DOCUMENTS**

- 3,712,400 A \* 1/1973 Barnes ..... B62D 61/08 180/215
- 4,103,921 A 8/1978 Brooks et al.
- D251,264 S \* 3/1979 Cook ..... D12/112
- 4,497,502 A \* 2/1985 Forbes ..... B62D 9/02 280/240
- 4,580,802 A 4/1986 Herman et al.



(56)

References Cited

U.S. PATENT DOCUMENTS

D425,827 S \* 5/2000 Robinson ..... D12/112  
 D450,631 S \* 11/2001 Ridley ..... D12/112  
 D460,027 S 7/2002 Shafer et al.  
 D465,439 S \* 11/2002 van de Vrie ..... D12/112  
 6,581,947 B2 6/2003 Andrews et al.  
 D483,420 S 12/2003 DeLong et al.  
 D485,514 S \* 1/2004 Berg ..... D12/112  
 D493,391 S \* 7/2004 Gunter ..... D12/112  
 D498,709 S \* 11/2004 Sramek ..... D12/112  
 D516,962 S \* 3/2006 Oosterveer ..... D12/112  
 D517,453 S \* 3/2006 Oosterveer ..... D12/112  
 D518,417 S \* 4/2006 Oosterveer ..... D12/112  
 D521,427 S 5/2006 Tsai  
 D540,726 S 4/2007 Caiazzo  
 D544,419 S 6/2007 Caiazzo  
 D573,926 S 7/2008 Jones  
 D573,927 S 7/2008 Jones  
 D582,489 S 12/2008 Badanjo  
 7,552,934 B2 \* 6/2009 Lee ..... B62K 3/005  
 280/266  
 D608,250 S \* 1/2010 Van De Vrie ..... D12/112  
 D626,038 S 10/2010 Li  
 D653,996 S \* 2/2012 Webster ..... D12/112  
 D654,002 S 2/2012 Owyang  
 D657,723 S 4/2012 Gohr et al.  
 8,292,315 B1 \* 10/2012 Pelkonen ..... B62K 5/06  
 280/266  
 D682,746 S \* 5/2013 Doherty ..... D12/112

D690,776 S 10/2013 Doherty et al.  
 D692,505 S \* 10/2013 Jiang ..... D12/112  
 D692,506 S \* 10/2013 Jiang ..... D12/112  
 D693,415 S \* 11/2013 Doherty ..... D12/112  
 9,278,723 B2 \* 3/2016 Merette ..... B62K 3/005  
 2011/0248467 A1 \* 10/2011 Ball ..... B62K 3/005  
 280/259

OTHER PUBLICATIONS

Johnson, Mike. "My Huffly and Marx Green Machines." YouTube., Jan. 22, 2012 [online], [retrieved on Oct. 19, 2016]. Retrieved from the Internet <URL: <https://www.youtube.com/watch?v=r1diatdFLEE>>.\*  
 MyFamilyExercise. "Huffly Green Machine Review." YouTube., Apr. 9, 2012 [online], [retrieved on Oct. 19, 2016]. Retrieved from the Internet <URL: <https://www.youtube.com/watch?v=z5JuqIQ-OiA>>.\*  
 Tony Hoying, Declaration of Tony Hoying including Exhibits A-G, Aug. 29, 2012.  
<http://road.cc/content/news/45128-eurobike-faves-specialized-green-machine->, Product images, Published Oct. 1, 2011.  
<http://www.target-catalogue.com/catalog/target-catalogue-australia-biggest-toy-sale-43.html>, Product Image, Published Jun. 21, 2012.

\* cited by examiner

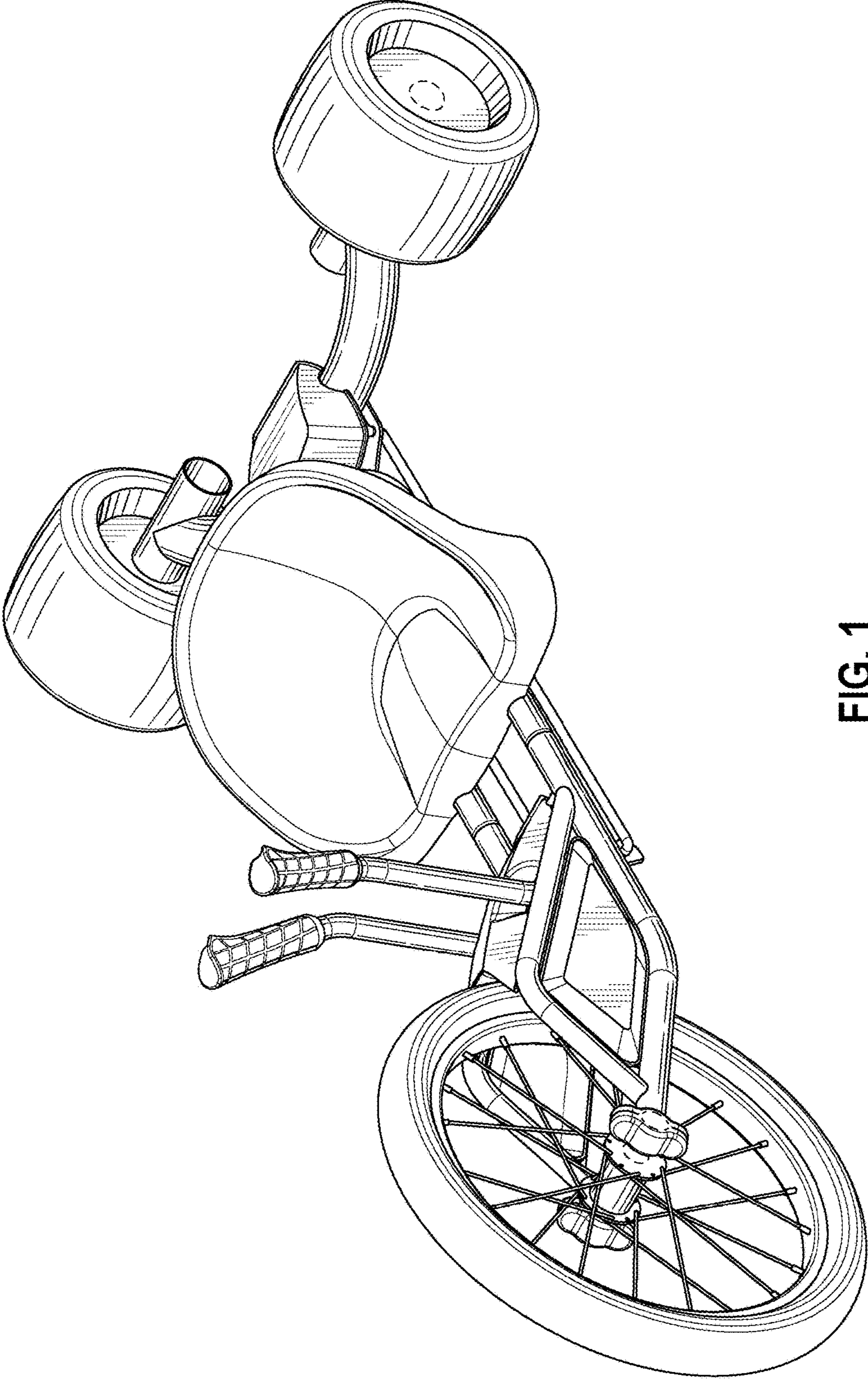


FIG. 1

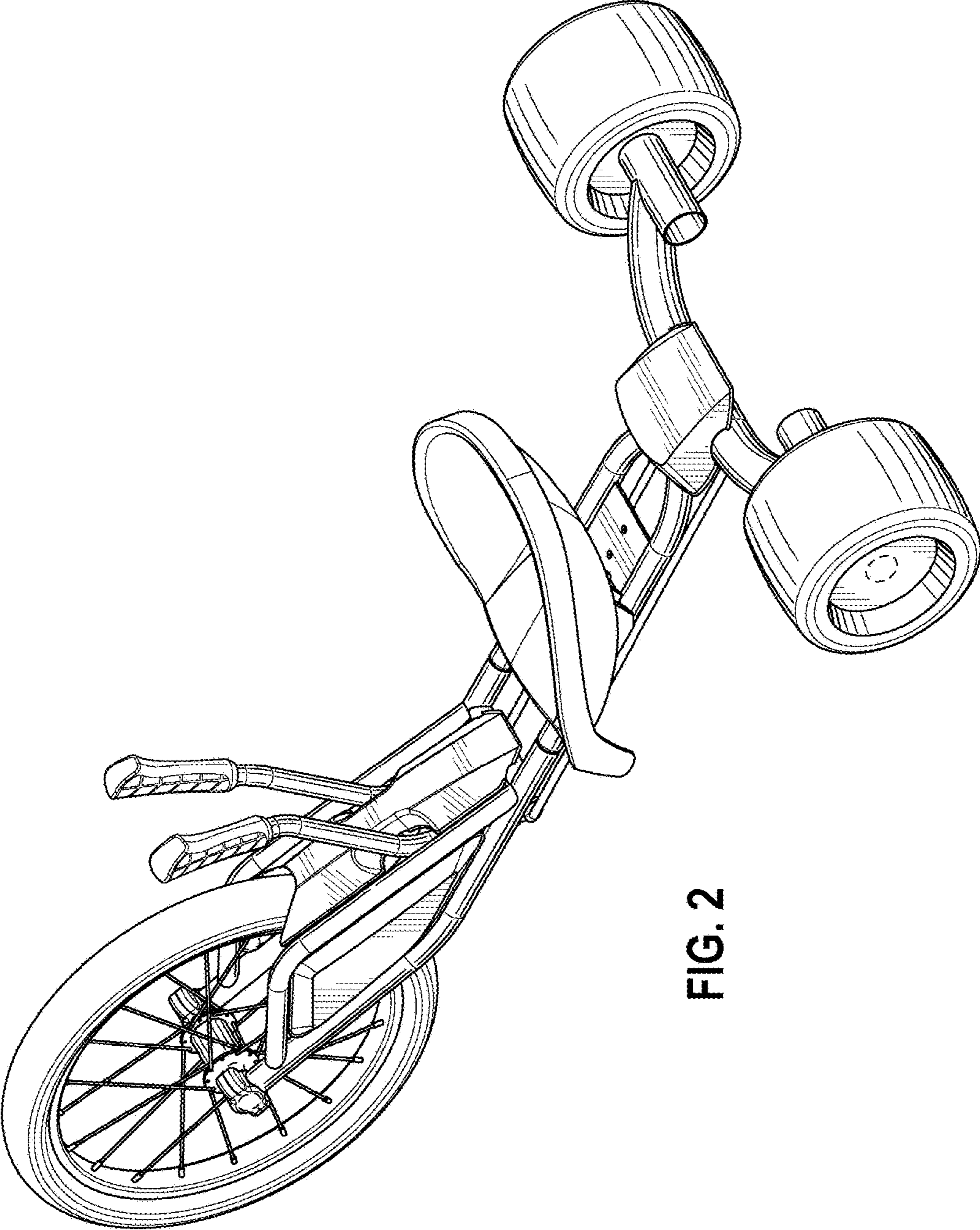


FIG. 2

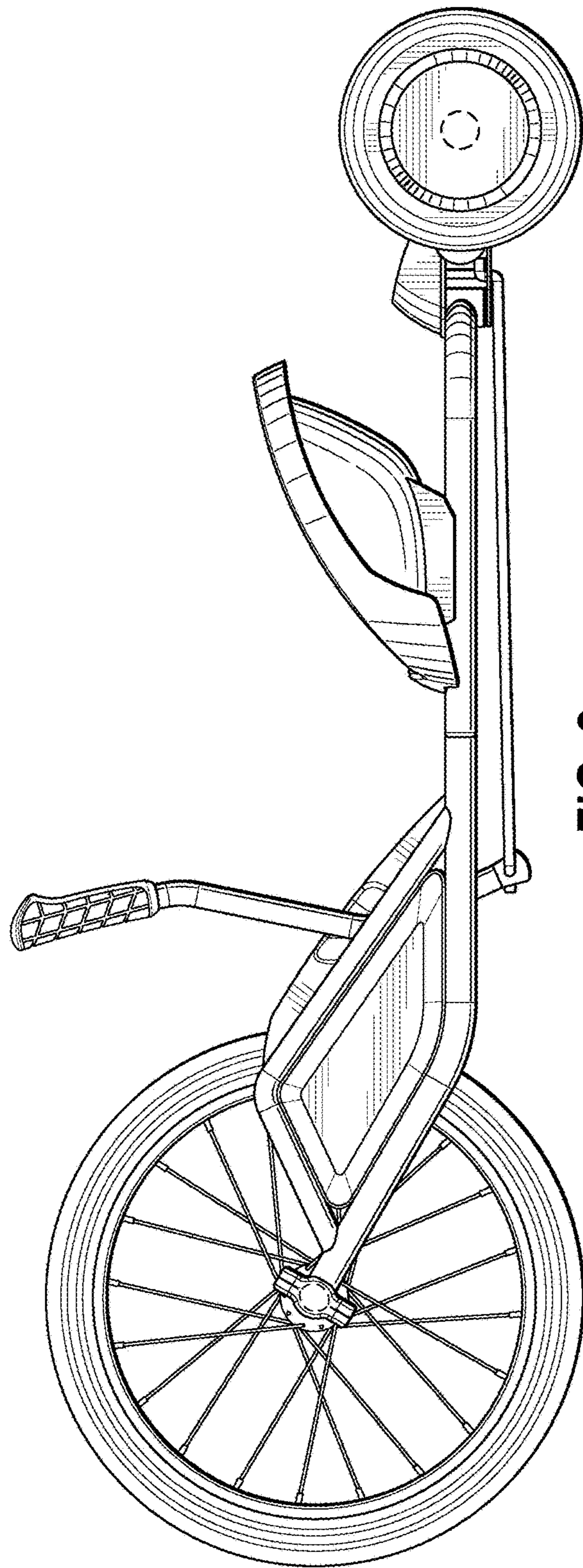


FIG. 3

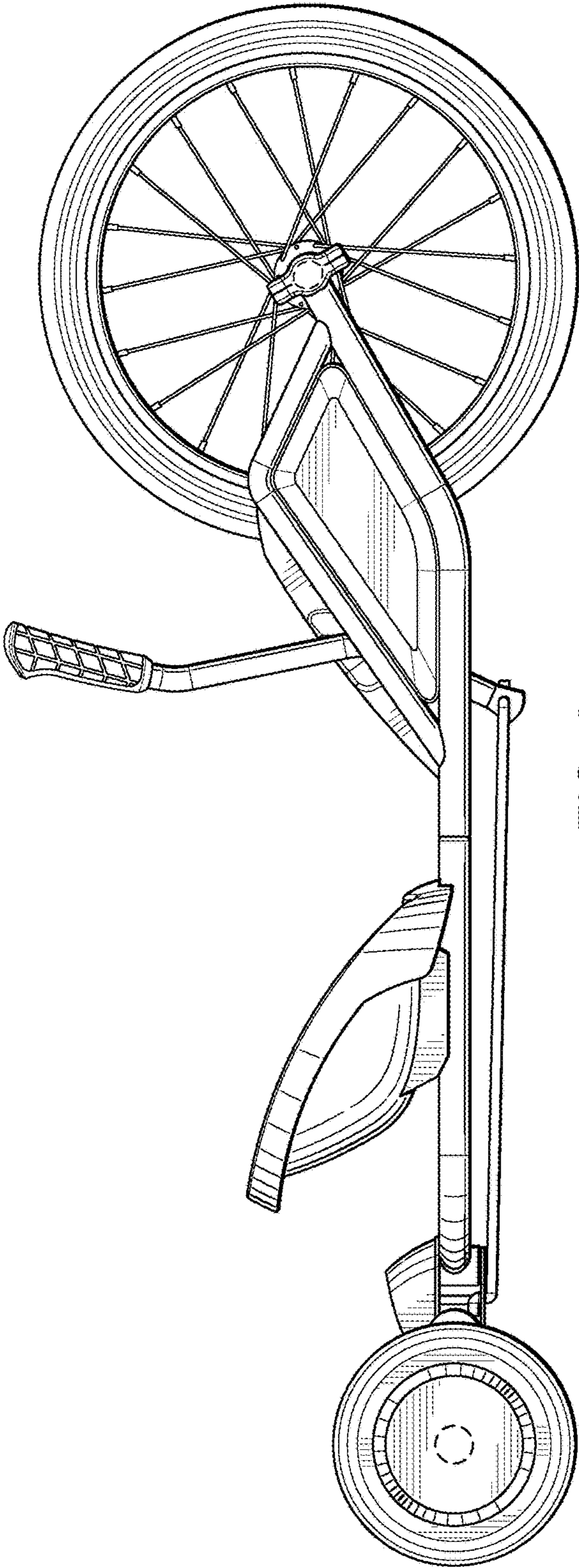


FIG. 4

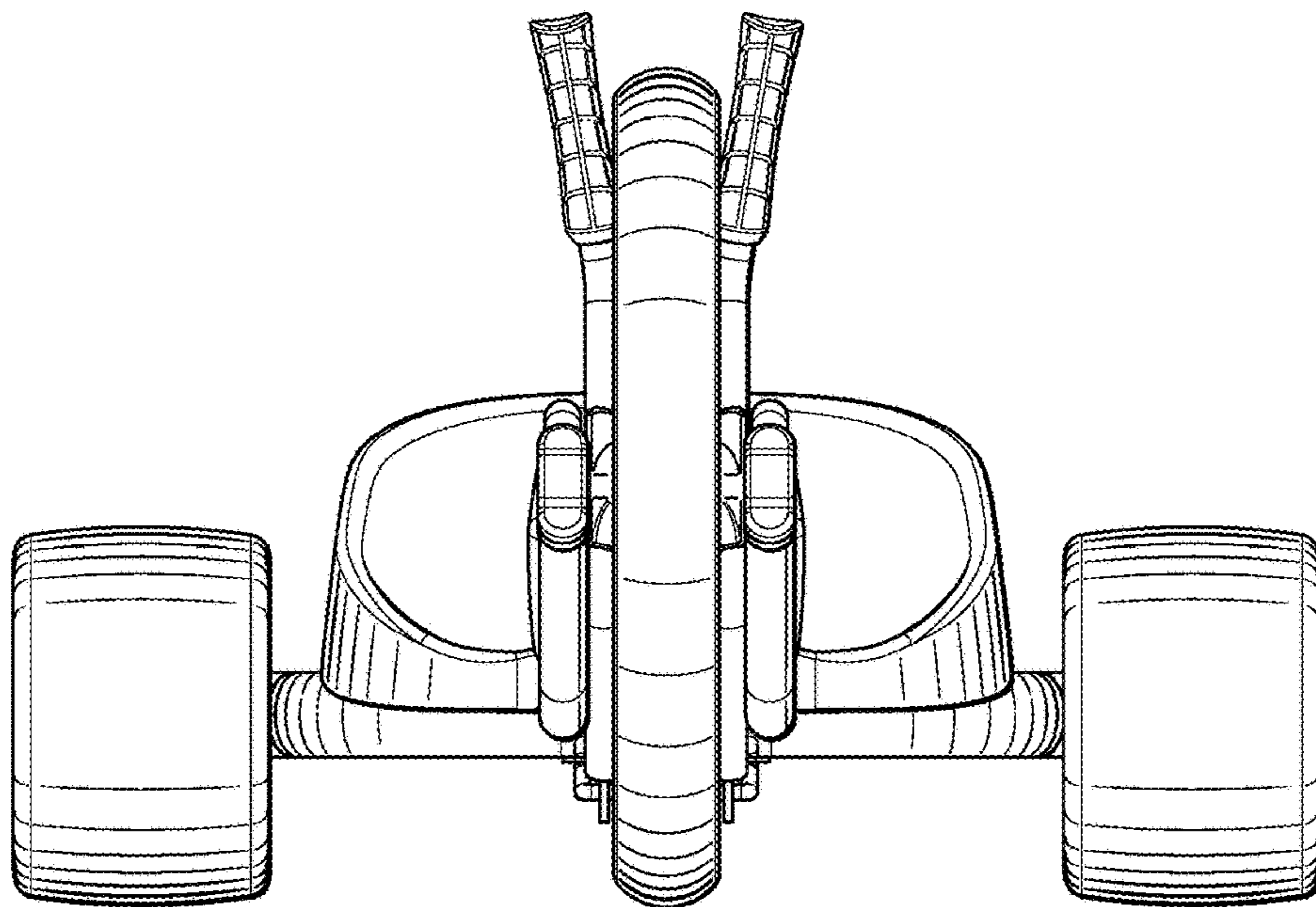


FIG. 5

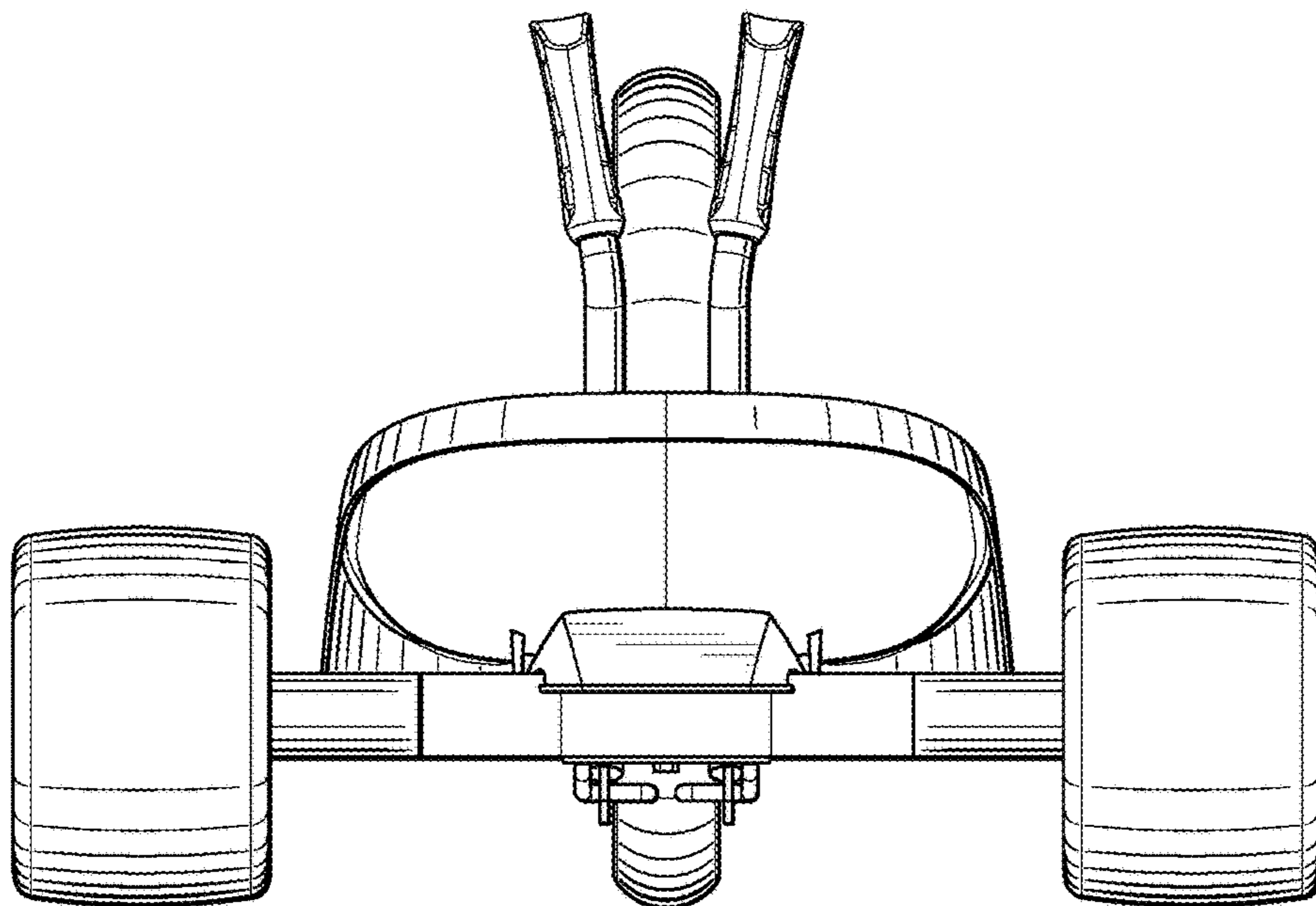


FIG. 6

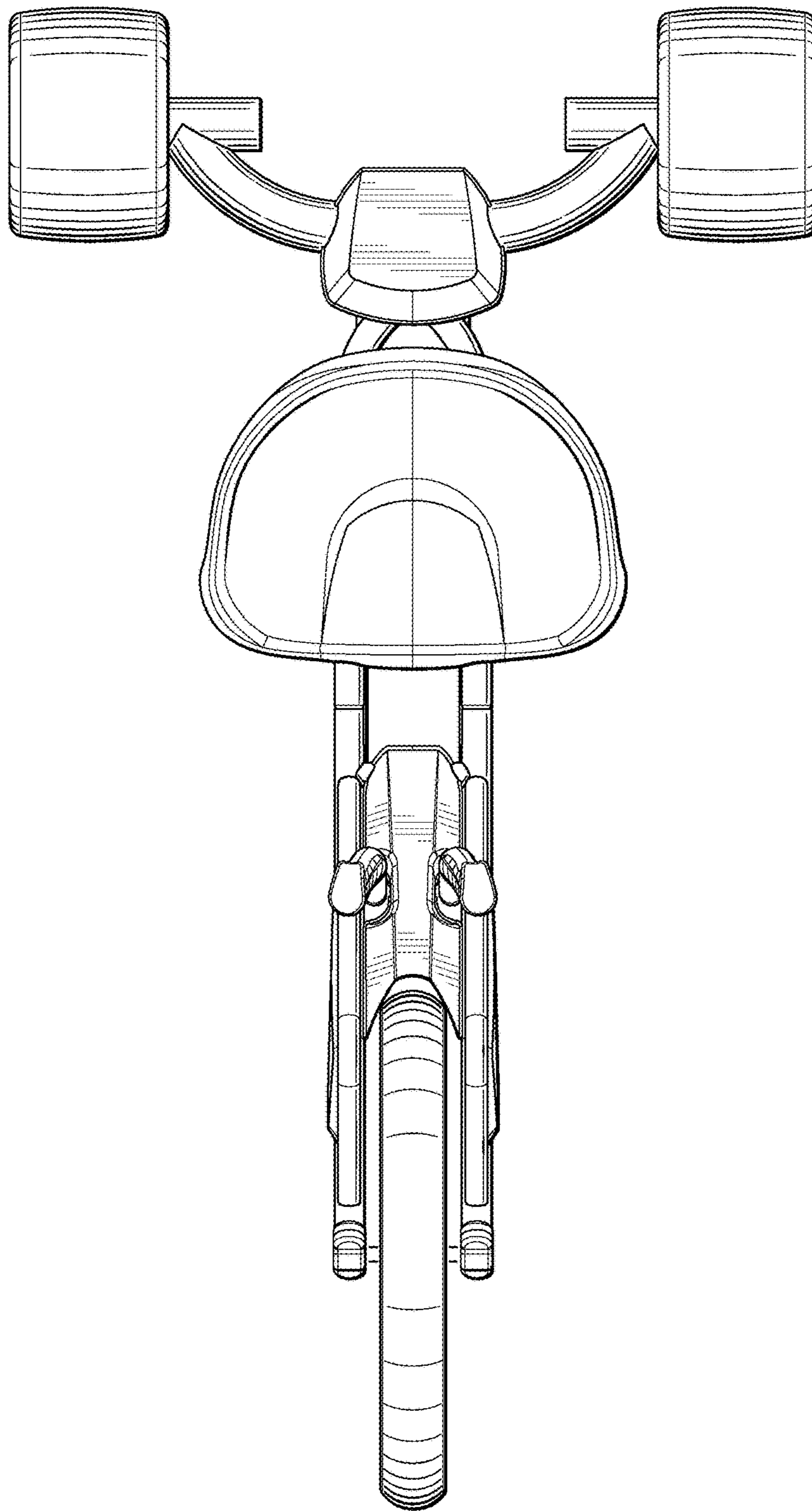


FIG. 7