



US00D777607S

(12) **United States Design Patent** (10) **Patent No.:** **US D777,607 S**
Fitzwater et al. (45) **Date of Patent:** **** Jan. 31, 2017**

(54) **FOLDING TRICYCLE**

FOREIGN PATENT DOCUMENTS

(71) Applicant: **Radio Flyer Inc.**, Chicago, IL (US)

EP 1937541 4/2007
JP 2003320983 11/2003

(72) Inventors: **Jason Fitzwater**, Chicago, IL (US);
Collin Ostergaard, Chicago, IL (US)

(Continued)

(73) Assignee: **Radio Flyer Inc.**, Chicago, IL (US)

OTHER PUBLICATIONS

(**) Term: **14 Years**

“Ultimate Classic Trike.” Parent’s Choice—Children’s Media and Toy Reviews., Fall 2009 [online], [retrieved on Jul. 20, 2016]. Retrieved from the Internet <URL: http://www.parents-choice.org/product.cfm?product_id=26889&StepNum=1&award=aw>.*

(21) Appl. No.: **29/519,601**

(Continued)

(22) Filed: **Mar. 6, 2015**

Primary Examiner — Darlington Ly

(51) **LOC (10) Cl.** **12-11**

(74) *Attorney, Agent, or Firm* — McDermott Will & Emery LLP

(52) **U.S. Cl.**

USPC **D12/112; D21/435**

(58) **Field of Classification Search**

USPC D12/112, 113; D21/432, 435, 538;
280/202, 259, 263, 270, 281.1, 282,
280/288.1–288.3, 293, 304.5; 446/440,
446/465, 470, 471

CPC B62K 9/02; B62K 15/00; B62K 15/008;
B62K 21/00; B62J 17/08

See application file for complete search history.

(57) **CLAIM**

We claim the ornamental design for a folding tricycle, as shown and described.

DESCRIPTION

FIG. 1 is a front and top perspective view of a folding tricycle in accordance to our new design.

FIG. 2 is a back and bottom perspective view of the folding tricycle shown in FIG. 1.

FIG. 3 is a right side view of the folding tricycle shown in FIG. 1.

FIG. 4 is a left side view of the folding tricycle shown in FIG. 1.

FIG. 5 is a front view of the folding tricycle shown in FIG. 1.

FIG. 6 is a back view of the folding tricycle shown in FIG. 1.

FIG. 7 is a top view of the folding tricycle shown in FIG. 1; and,

FIG. 8 is a bottom view of the folding tricycle shown in FIG. 1.

The broken lines in the drawings illustrate features of the folding tricycle that forms no part of the claimed design.

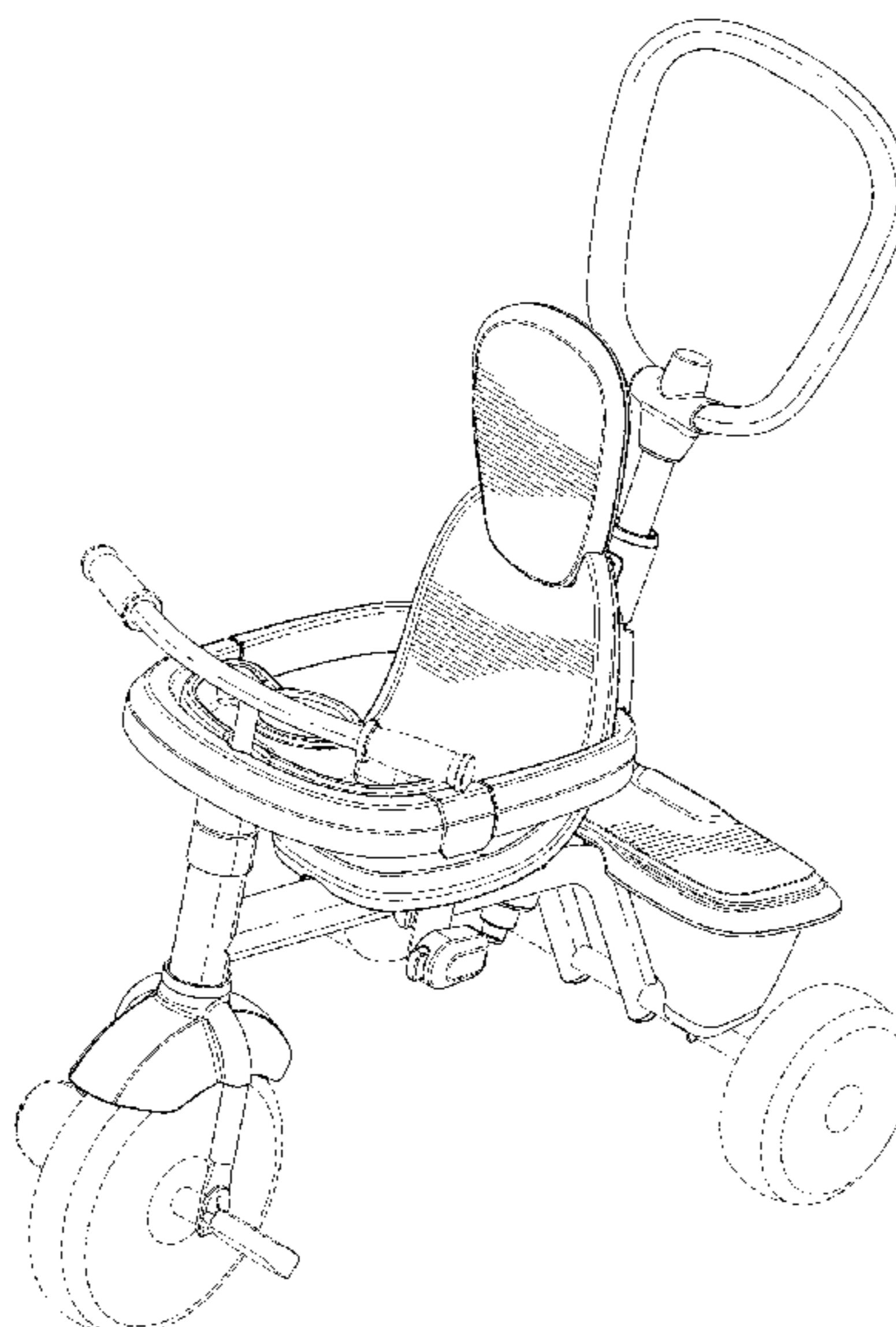
(56) **References Cited**

U.S. PATENT DOCUMENTS

94,056 A	8/1869	Allen
638,112 A	11/1899	Graham
1,397,174 A	11/1921	Morwood
2,183,534 A	12/1939	Bernier
2,194,161 A	3/1940	Cobb
2,169,364 A	11/1952	Carson
2,619,364 A	11/1952	Carson
2,630,333 A	3/1953	Petersen
2,806,709 A	9/1957	Watson
2,816,775 A	12/1957	Costello
2,914,336 A	11/1959	Hibben, Jr. et al.

(Continued)

1 Claim, 7 Drawing Sheets



(56)

References Cited

U.S. PATENT DOCUMENTS

3,265,402 A	8/1966	Snyder	6,840,527 B1	1/2005	Michelau et al.
3,432,015 A	3/1969	Schwerdhofer	6,869,096 B2	3/2005	Allen et al.
3,485,507 A	12/1969	Christof	6,874,802 B2	4/2005	Gunter et al.
3,905,618 A	9/1975	Miranda	6,935,649 B2	8/2005	Lim
3,954,283 A	5/1976	Boehm et al.	6,966,572 B2	11/2005	Michelau et al.
4,142,736 A	3/1979	Ackerfeldt et al.	7,000,928 B2	2/2006	Liao
4,168,846 A	9/1979	Carren	7,000,935 B2	2/2006	Gunter et al.
4,457,529 A	7/1984	Shamie et al.	7,000,939 B2	2/2006	Shapiro
4,474,388 A	10/1984	Wagner	D525,568 S *	7/2006	Baron D12/112
4,546,991 A	10/1985	Allen et al.	7,077,420 B1	7/2006	Santoski
4,657,270 A	4/1987	Allen et al.	7,086,657 B2	8/2006	Michelau et al.
4,702,486 A	10/1987	Tsuchie	7,128,333 B2	10/2006	Reimers et al.
D300,619 S	4/1989	Phinney et al.	7,137,644 B2	11/2006	Kimberley
4,840,260 A	6/1989	Josereau	7,210,696 B2	5/2007	Kettler et al.
5,028,066 A *	7/1991	Garth B62H 7/00 280/282	7,219,920 B2	5/2007	Lin
5,074,577 A	12/1991	Kim	7,281,725 B1	10/2007	Gunter et al.
5,087,040 A	2/1992	Wu	D555,045 S *	11/2007	On D12/112
RE33,939 E	5/1992	Cheng	7,296,819 B2	11/2007	Cunningham
D332,591 S	1/1993	Reely	7,300,066 B2	11/2007	Kettler et al.
D334,157 S	3/1993	Tonelli	7,347,443 B2	3/2008	Barton
5,201,540 A	4/1993	Wu	D567,719 S	4/2008	Grossman
D337,973 S	8/1993	Mariol	D571,866 S *	6/2008	On D21/435
5,322,487 A	6/1994	Nagano	7,390,012 B2	6/2008	Church
5,356,356 A	10/1994	Hildebrandt et al.	7,396,039 B2	7/2008	Valdez et al.
D355,870 S	2/1995	Dieudonne	7,422,230 B2	9/2008	Chuan
5,409,253 A	4/1995	Cheng	D582,489 S	12/2008	Badanjo
5,586,778 A	12/1996	Lindh et al.	D593,910 S	6/2009	Calvin et al.
5,590,896 A	1/1997	Eichhorn	D594,788 S *	6/2009	Hartlaub D12/113
5,660,435 A	8/1997	Eichhorn	D598,331 S	8/2009	Tongish et al.
5,667,239 A	9/1997	Yang	7,591,479 B2	9/2009	Golias
5,765,857 A	6/1998	Hsiao	D604,777 S *	11/2009	On D12/112
5,765,871 A	6/1998	Wyman et al.	7,621,842 B2	11/2009	Kamiya et al.
5,829,585 A	11/1998	Kao et al.	7,632,035 B2	12/2009	Cheng
5,887,889 A	3/1999	Andrus	7,658,252 B2	2/2010	Shapiro
5,924,713 A	7/1999	Li	7,694,980 B2	4/2010	Dotsey et al.
5,954,349 A	9/1999	Rutzel	7,766,359 B2	8/2010	Klevana et al.
6,007,031 A	12/1999	Tang	7,798,515 B2	9/2010	Valdez et al.
D427,112 S	6/2000	Chaudeurge	D627,265 S *	11/2010	On D12/112
6,079,718 A	6/2000	Liao	7,871,099 B2	1/2011	Gilbertson et al.
6,102,431 A	8/2000	Sutherland et al.	7,909,353 B2	3/2011	Nolan et al.
6,105,998 A	8/2000	Baechler et al.	7,934,729 B2	5/2011	Murphy et al.
6,120,048 A	9/2000	Li	D645,381 S	9/2011	Bricker et al.
6,152,473 A	11/2000	Shih	8,061,732 B2	11/2011	Song et al.
6,152,476 A	11/2000	Huang	8,104,777 B2	1/2012	Liao
D435,235 S	12/2000	de Oliveira	D659,054 S	5/2012	Agati et al.
6,155,579 A	12/2000	Eyman et al.	D659,055 S	5/2012	Agati et al.
D436,560 S	1/2001	Golenz	D659,056 S *	5/2012	Bricker D12/112
D436,896 S	1/2001	Chiappepta et al.	8,191,920 B2	6/2012	Zhang
D436,897 S	1/2001	Chiappepta et al.	8,226,111 B2	7/2012	Valdez et al.
6,299,194 B1	10/2001	Chen	8,262,114 B2	9/2012	Jessie, Jr.
6,302,421 B1	10/2001	Lee	8,313,118 B2 *	11/2012	Aiken B62H 7/00 280/288.4
6,338,403 B1	1/2002	Costin et al.	8,844,960 B2 *	9/2014	Young B62K 15/00 280/278
D461,145 S	8/2002	Chiappetta et al.	D714,693 S	10/2014	Bartels
6,533,311 B2	3/2003	Kaneko et al.	8,991,844 B2	3/2015	Bricker et al.
6,575,486 B2	6/2003	Ma	D735,090 S *	7/2015	Baron D12/113
6,609,723 B2	8/2003	Chuang	9,114,842 B2	8/2015	Bartels
D480,024 S	9/2003	Gunter et al.	2002/0093177 A1	7/2002	Chen
6,612,598 B2	9/2003	Wu	2003/0141695 A1	7/2003	Chen
D480,665 S	10/2003	Gunter et al.	2003/0201621 A1	10/2003	Jang
6,634,711 B2	10/2003	Philips et al.	2005/0035646 A1	2/2005	Everett
6,644,676 B2	11/2003	Wu	2005/0110239 A1	5/2005	Michelau et al.
D484,073 S	12/2003	Heinemann et al.	2005/0247506 A1	11/2005	Rondeau et al.
6,666,470 B2	12/2003	Li	2007/0045983 A1	3/2007	Hong
D485,513 S	1/2004	de Oliveira	2007/0222172 A1	9/2007	Chen
6,682,090 B2	1/2004	Chen	2008/0277901 A1	11/2008	Catelli
6,685,206 B1	2/2004	Blake	2009/0008164 A1	1/2009	Shapiro
6,685,207 B1	2/2004	Blake	2009/0115151 A1	5/2009	Van Dijk
6,719,319 B2	4/2004	Liao	2010/0289244 A1	11/2010	Grossman
6,722,690 B2	4/2004	Lan	2010/0308550 A1	12/2010	Li et al.
6,726,233 B1	4/2004	Li	2010/0308561 A1	12/2010	Diekman et al.
6,739,616 B2	5/2004	Lin	2010/0314855 A1	12/2010	Mival et al.
6,752,453 B1	6/2004	Yapp	2011/0012325 A1	1/2011	Gower et al.
6,767,028 B2	7/2004	Britton et al.	2011/0074125 A1	3/2011	Aiken et al.
6,789,808 B2	9/2004	Yang	2011/0278815 A1 *	11/2011	Khare B62J 17/08 280/279
			2012/0104712 A1	5/2012	Kobayashi
			2012/0306179 A1	12/2012	Jessie, Jr.

(56)

References Cited

U.S. PATENT DOCUMENTS

2013/0056949 A1* 3/2013 Bricker B62K 9/02
280/259
2014/0103616 A1* 4/2014 Young B62K 15/00
280/278
2014/0217696 A1* 8/2014 Bartels B62H 7/00
280/274

FOREIGN PATENT DOCUMENTS

JP 2004099021 4/2004
JP 2006111222 4/2006

OTHER PUBLICATIONS

“Smart Trike DX 3-In-1 Kids Tricycle.” Loretto Co., Nov. 14, 2012 [online], [retrieved on Jul. 20, 2016]. Retrieved from the Internet <URL: <http://www.loretto.com/smart-trike-dx-3-in-1-kids-tricycle/>>.*

MyRider® Chariot/MyRider™ Trikes, <http://www.angelesstore.com/index.php/MyRider™-Trikes/myrider-chariot.html>, at least as early as Mar. 16, 2013.

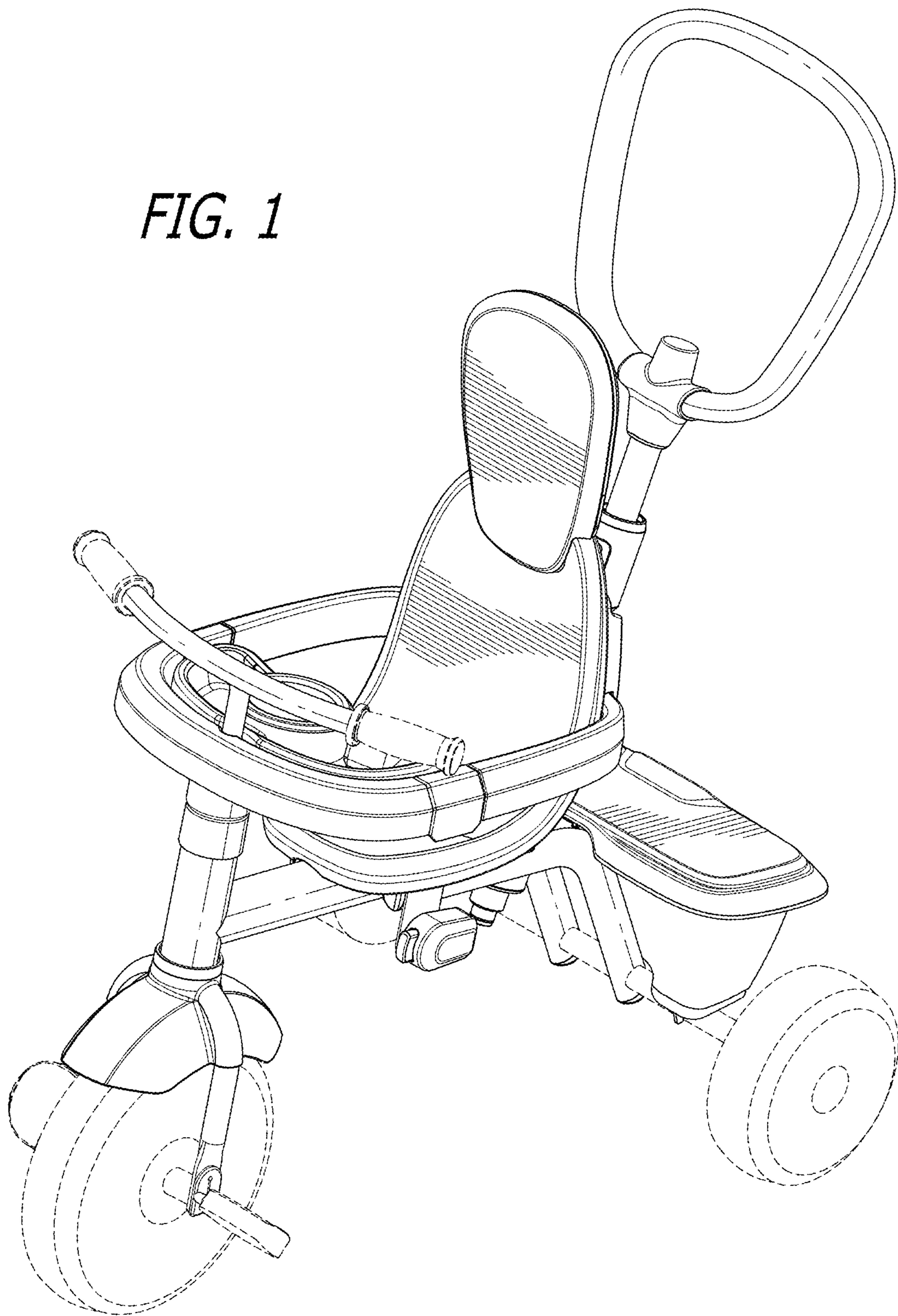
MyRider® Tandem, <http://www.angelesstore.com/index.php/MyRider™-Trikes/myrider-tandem.html>, at least as early as Mar. 16, 2013.

3-in-1 SpinTrike Bike, <http://www.toysrus.ca/product/index.jsp?productId+87124876&imageIndex+7>, at least as early as Mar. 5, 2015.

Aluminum 3-in-1 Trike, <http://www.toysrus.ca/product/index.jsp?productID+80573176>, at least as early as Mar. 5, 2015.

* cited by examiner

FIG. 1



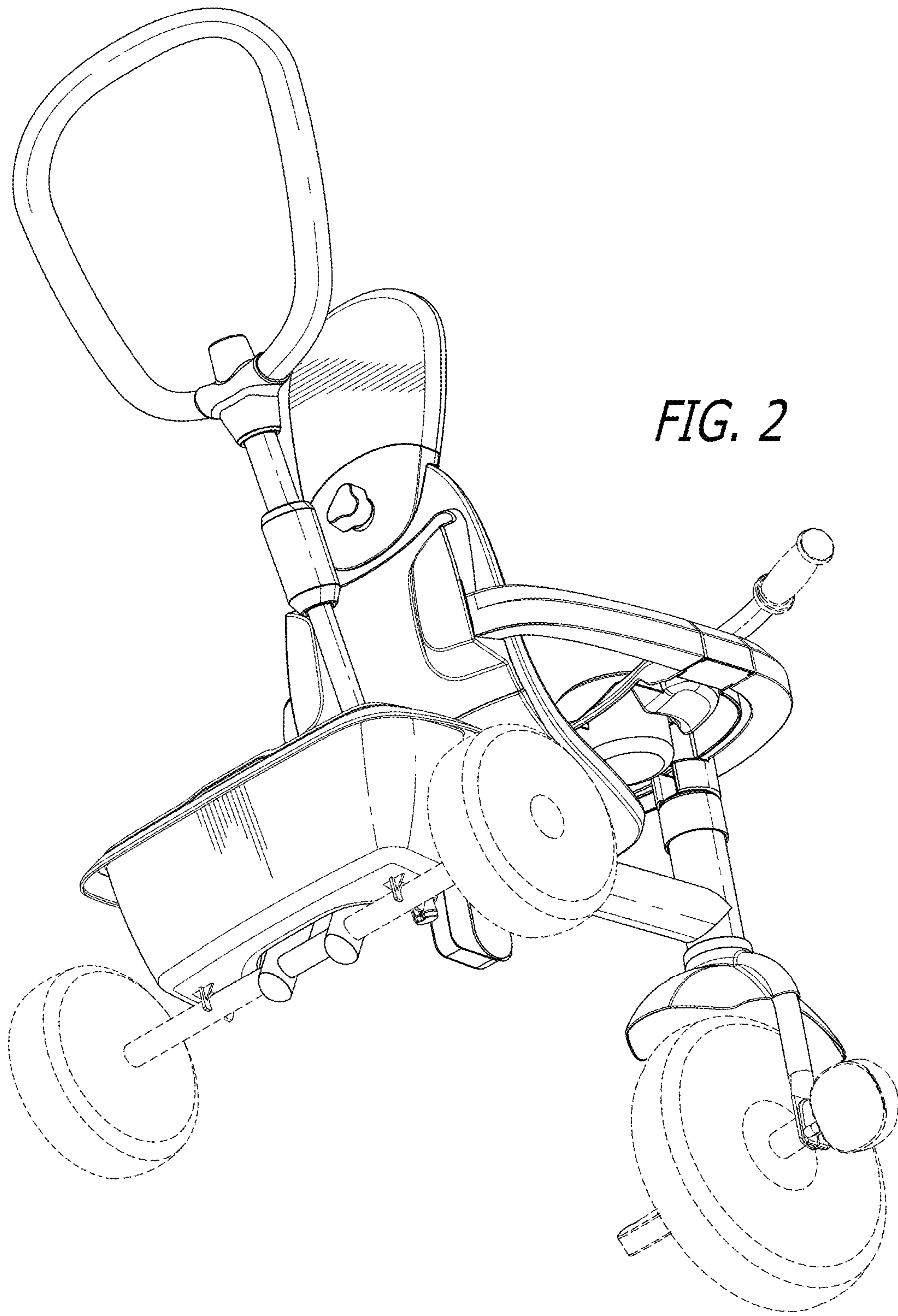
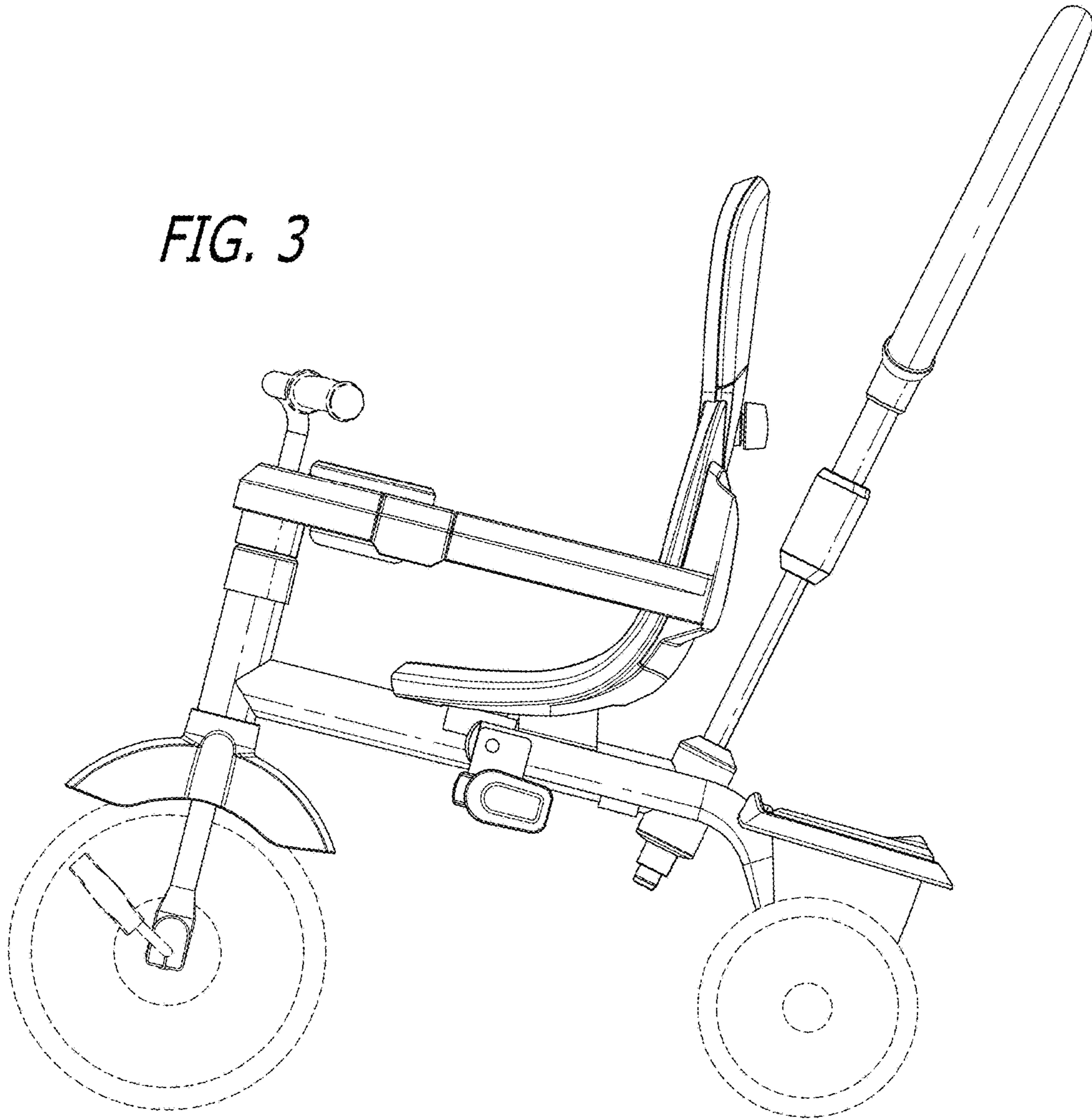


FIG. 2

FIG. 3



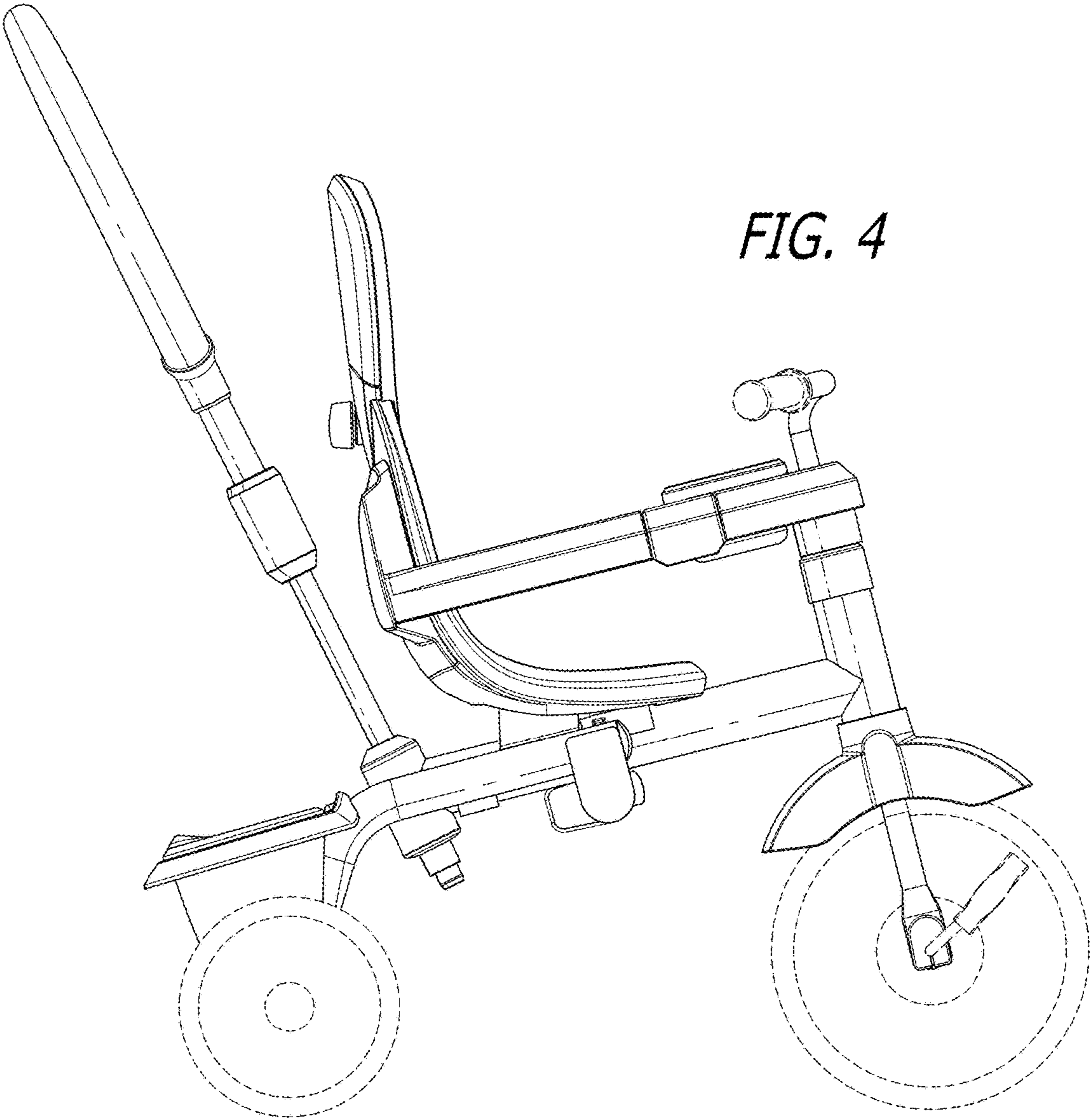


FIG. 4

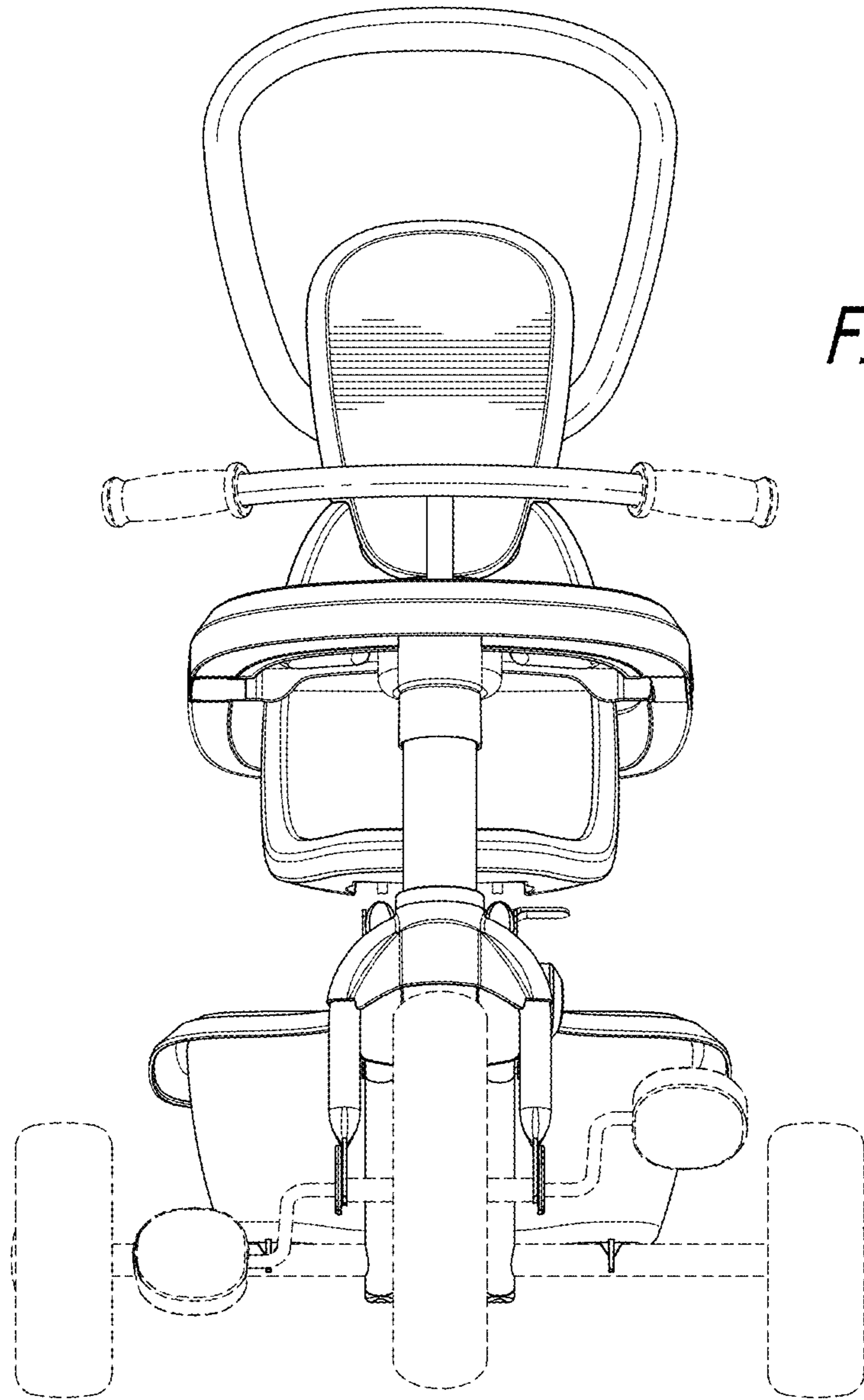


FIG. 5

FIG. 6

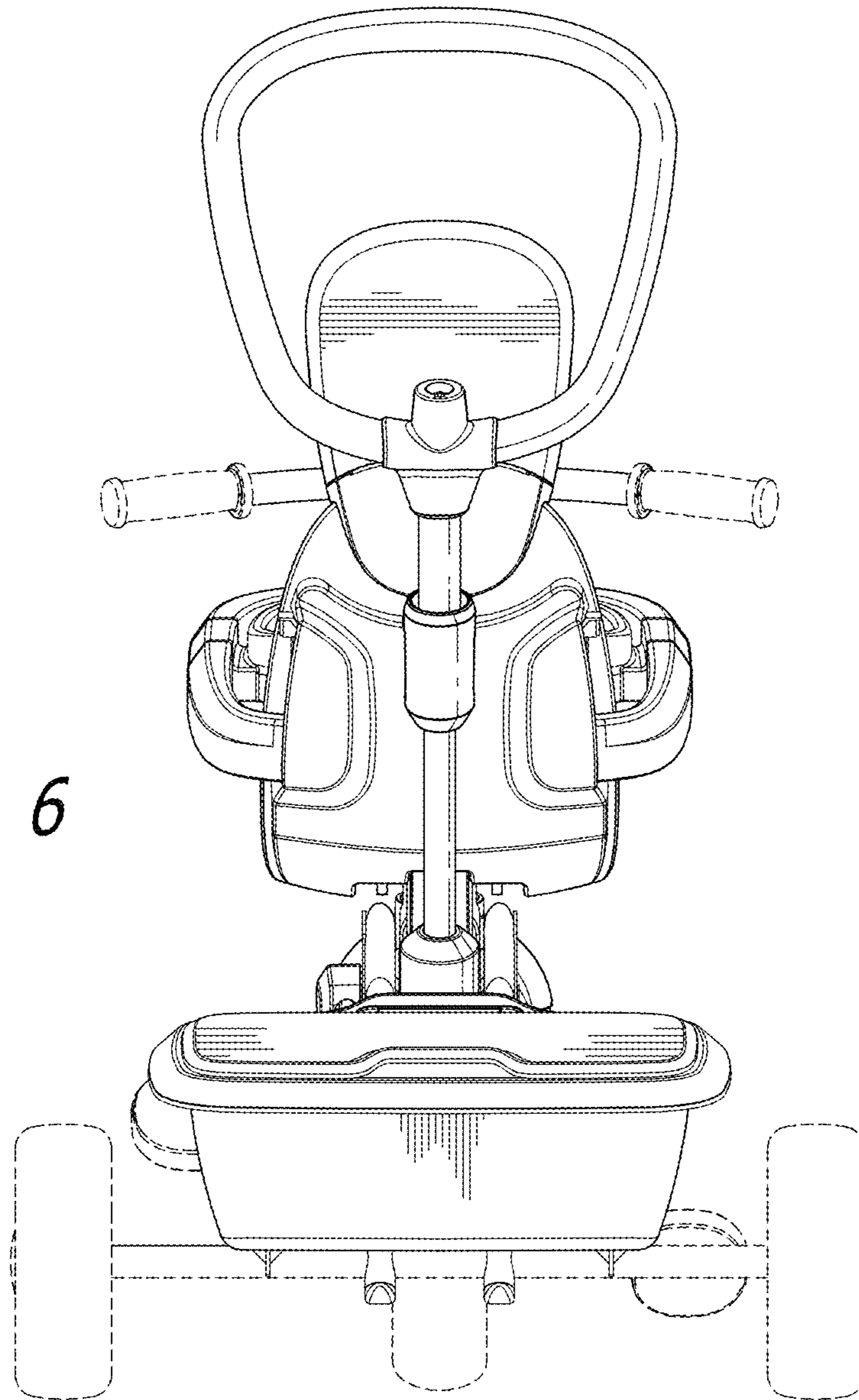


FIG. 7

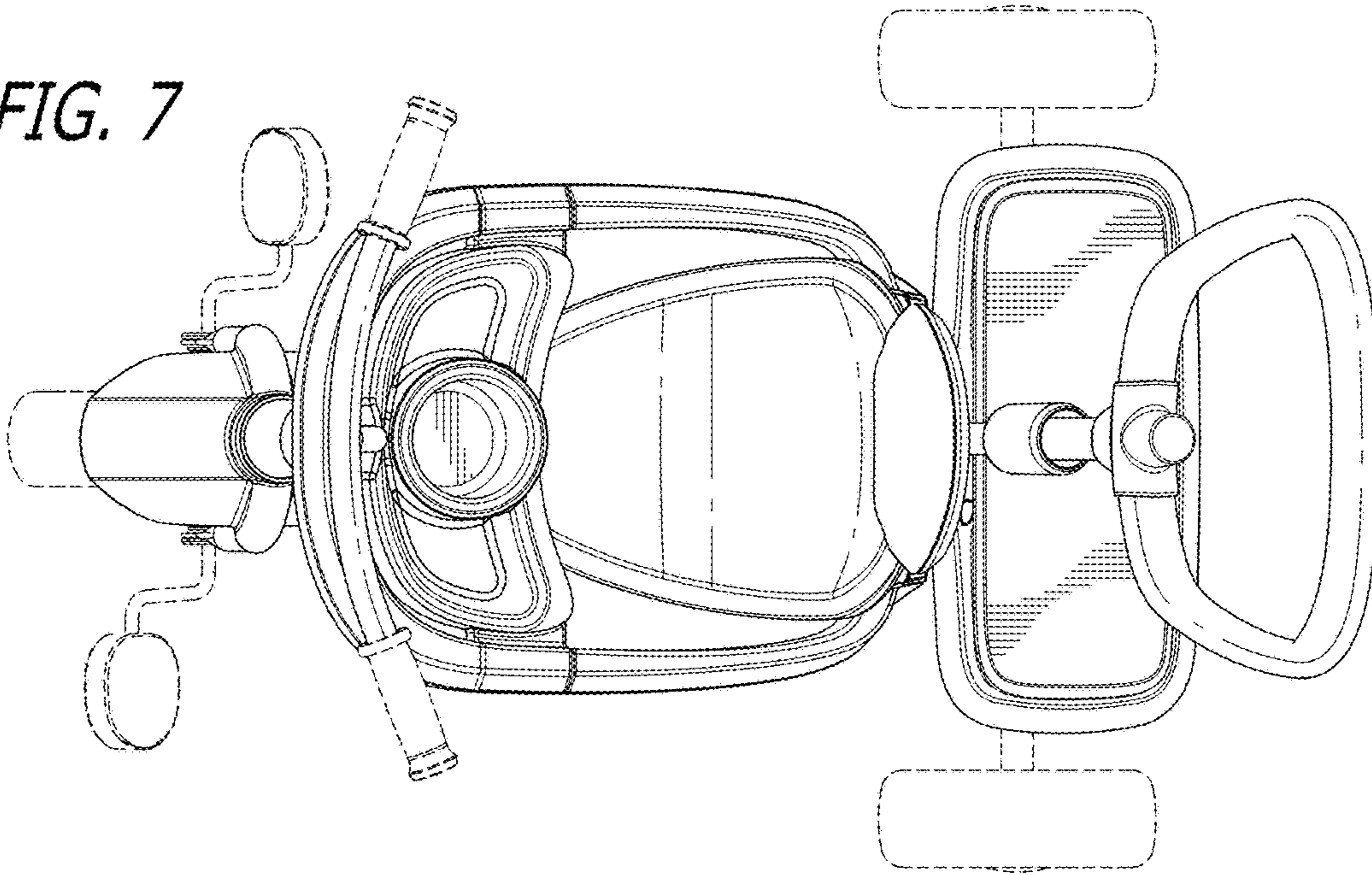


FIG. 8

