



US00D777601S

(12) **United States Design Patent** (10) **Patent No.:** **US D777,601 S**
White et al. (45) **Date of Patent:** **** Jan. 31, 2017**

(54) **JEWELRY**

(71) Applicants: **Michael White**, Rocky Mount, VA (US); **Michael E. Blankenship**, Vinton, VA (US)

(72) Inventors: **Michael White**, Rocky Mount, VA (US); **Michael E. Blankenship**, Vinton, VA (US)

(**) Term: **15 Years**

(21) Appl. No.: **29/530,756**

(22) Filed: **Jun. 19, 2015**

(51) **LOC (10) Cl.** **11-03**

(52) **U.S. Cl.**
USPC **D11/96**

(58) **Field of Classification Search**
USPC D11/95-116, 121, 131, 140, 157, 79;
63/1.11, 1.12, 1.13, 1.14, 1.16, 1.18, 13,
63/14.1, 35, 39, 19; D99/17, 23, 25, 27,
D99/30; 428/3; D8/348; D3/211; D6/674;
D14/203.2; D19/34
CPC . A44C 15/001; A44C 9/0053; A44C 15/0015;
A44C 1/00; A44C 15/00; A44C
7/00; A44C 25/004; A44C 5/0092; A44C
11/002; A47G 33/02
See application file for complete search history.

(56) **References Cited**

U.S. PATENT DOCUMENTS

D338,633 S * 8/1993 Andre D11/96
D506,945 S * 7/2005 Guthrie, III D11/79

D518,754 S * 4/2006 Dias D11/96
D540,817 S * 4/2007 Milstein D14/203.2
D616,495 S * 5/2010 Lane D19/34
D639,548 S * 6/2011 McDaniel D3/211
D708,545 S * 7/2014 Armstrong D11/96
D716,687 S * 11/2014 Spencer D11/96
D751,455 S * 3/2016 Bogetti D11/96
D752,474 S * 3/2016 Warner D11/96
D753,538 S * 4/2016 David D11/96

* cited by examiner

Primary Examiner — T. Chase Nelson

Assistant Examiner — Mark Cavanna

(74) *Attorney, Agent, or Firm* — New River Valley IP Law, P.C.; Michele L. Mayberry

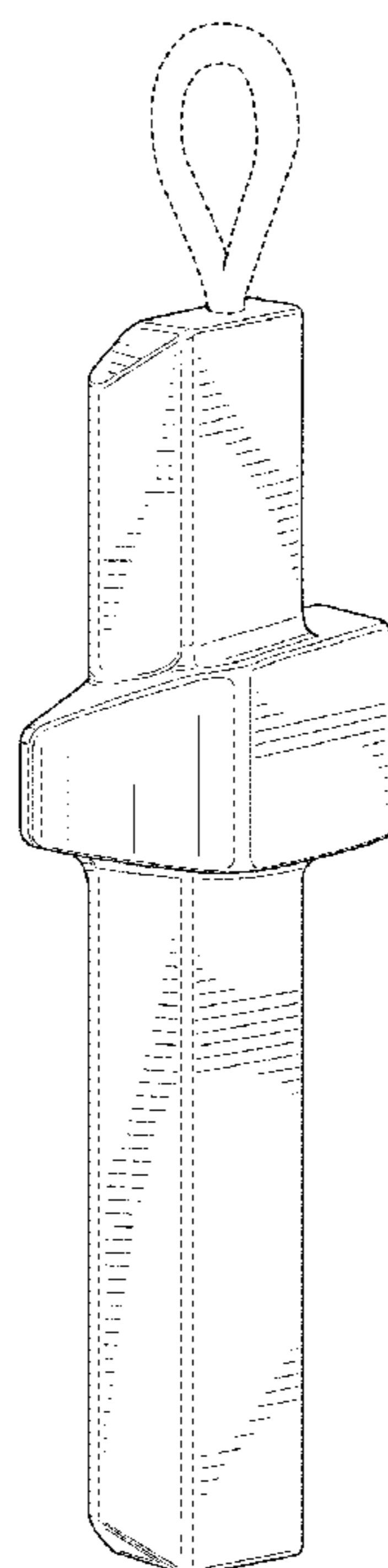
(57) **CLAIM**

The ornamental design for jewelry, as shown and described.

DESCRIPTION

FIG. 1 is a front perspective view of the jewelry design.
FIG. 2 is a front plan view of the jewelry design of FIG. 1.
FIG. 3 is a rear plan view of the jewelry design of FIG. 1.
FIG. 4 is a left side plan view of the jewelry design of FIG. 1.
FIG. 5 is a right side plan view of the jewelry design of FIG. 1.
FIG. 6 is a top plan view of the jewelry design of FIG. 1; and,
FIG. 7 is a bottom plan view of the jewelry design of FIG. 1.
The broken lines shown are included for the purpose of illustrating the unclaimed portions of the article and form no part of the claimed design.

1 Claim, 5 Drawing Sheets



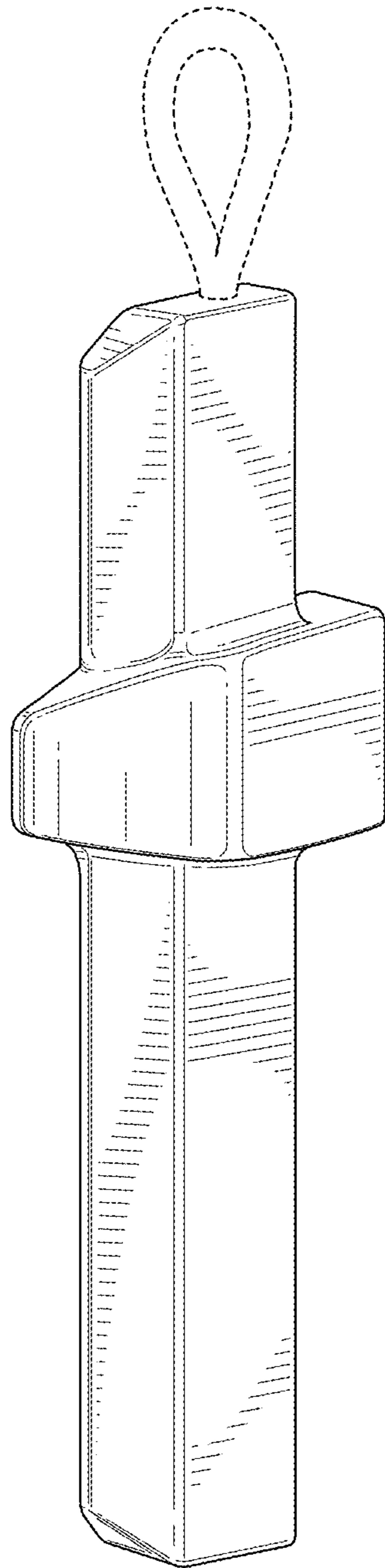


FIG. 1

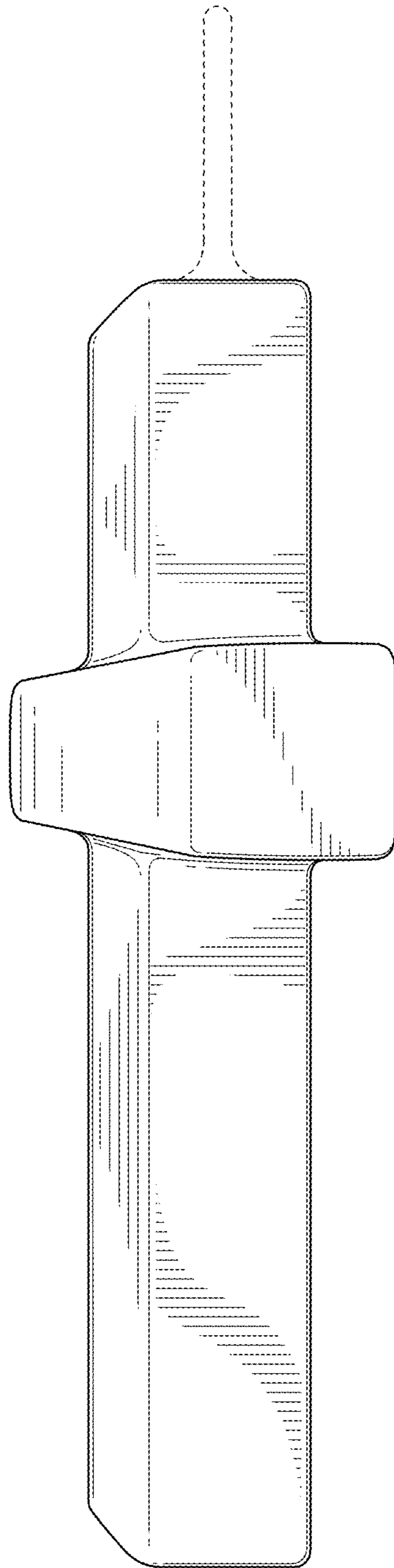


FIG. 2

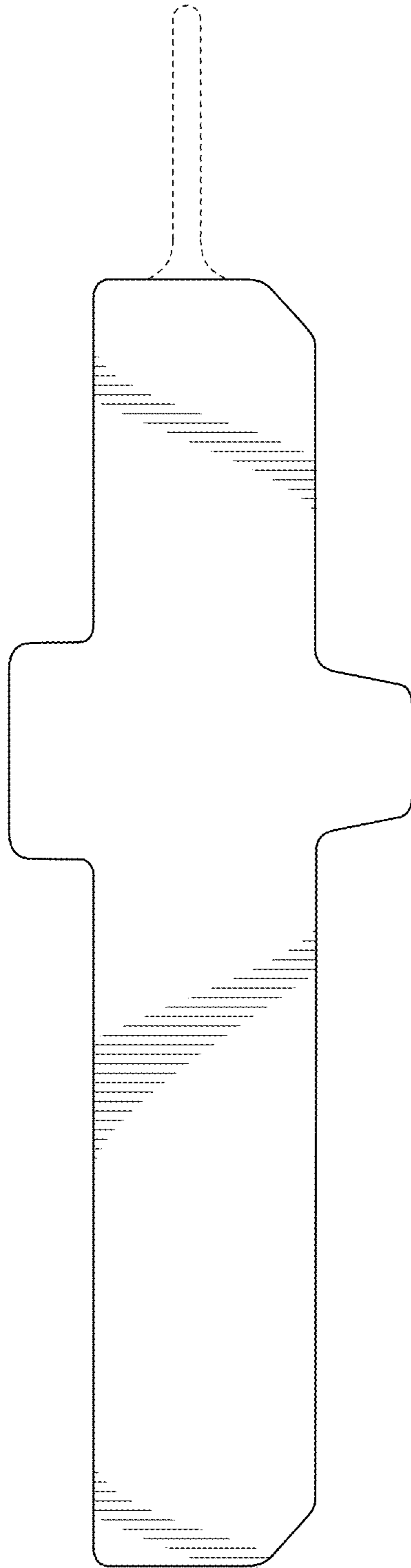


FIG. 3

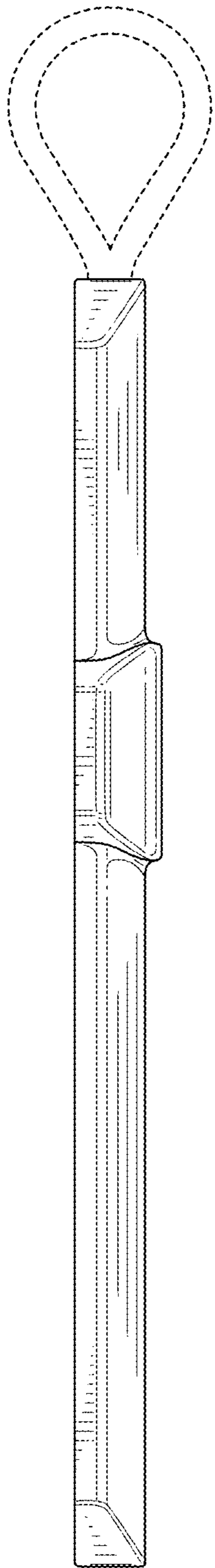


FIG. 4

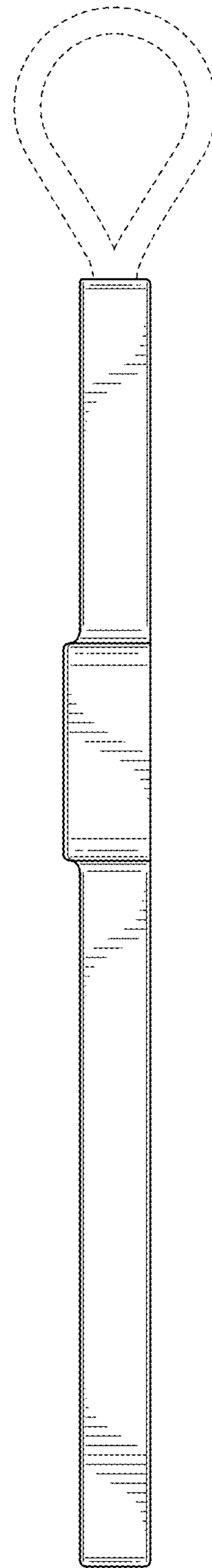


FIG. 5

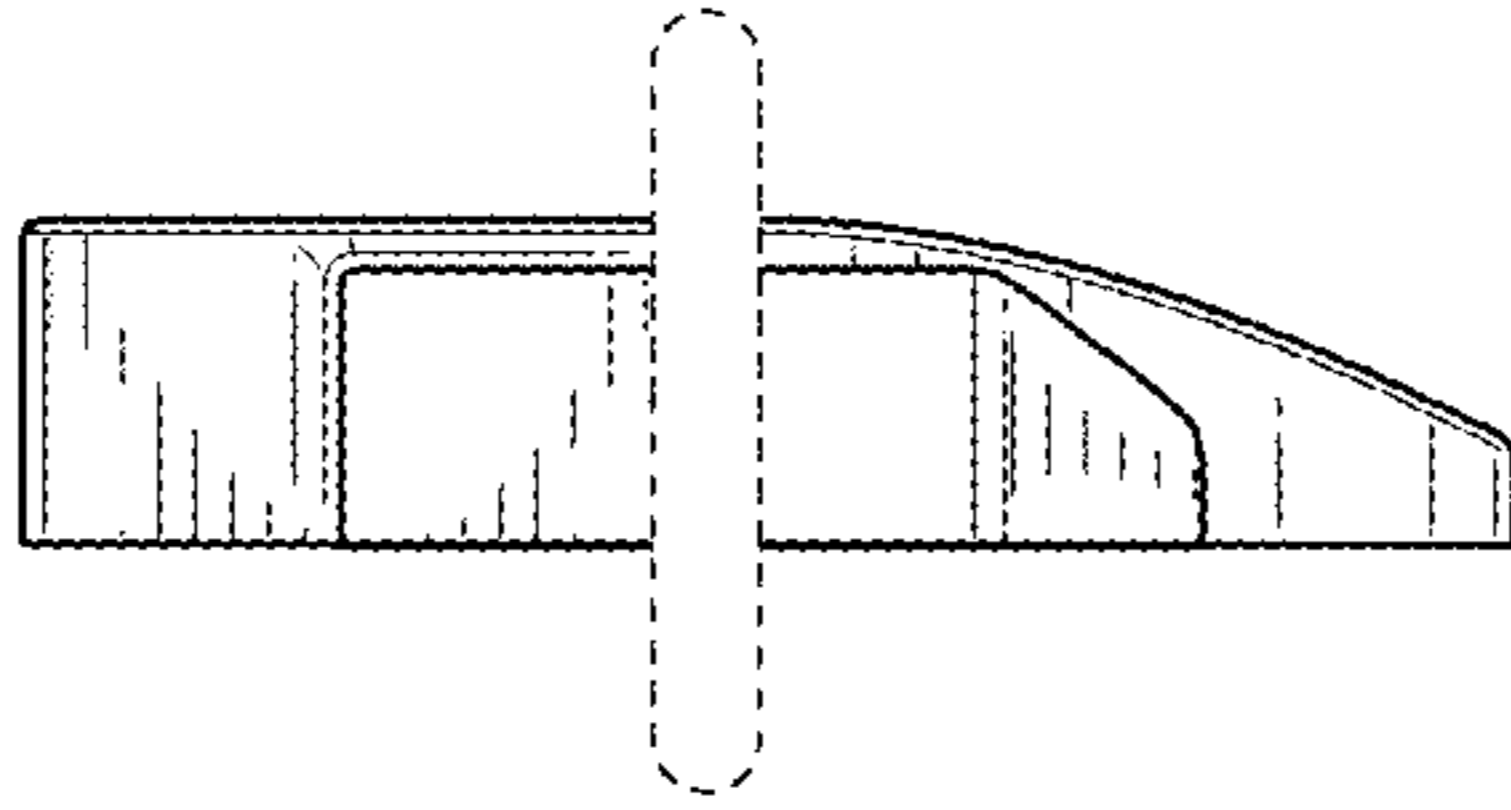


FIG. 6

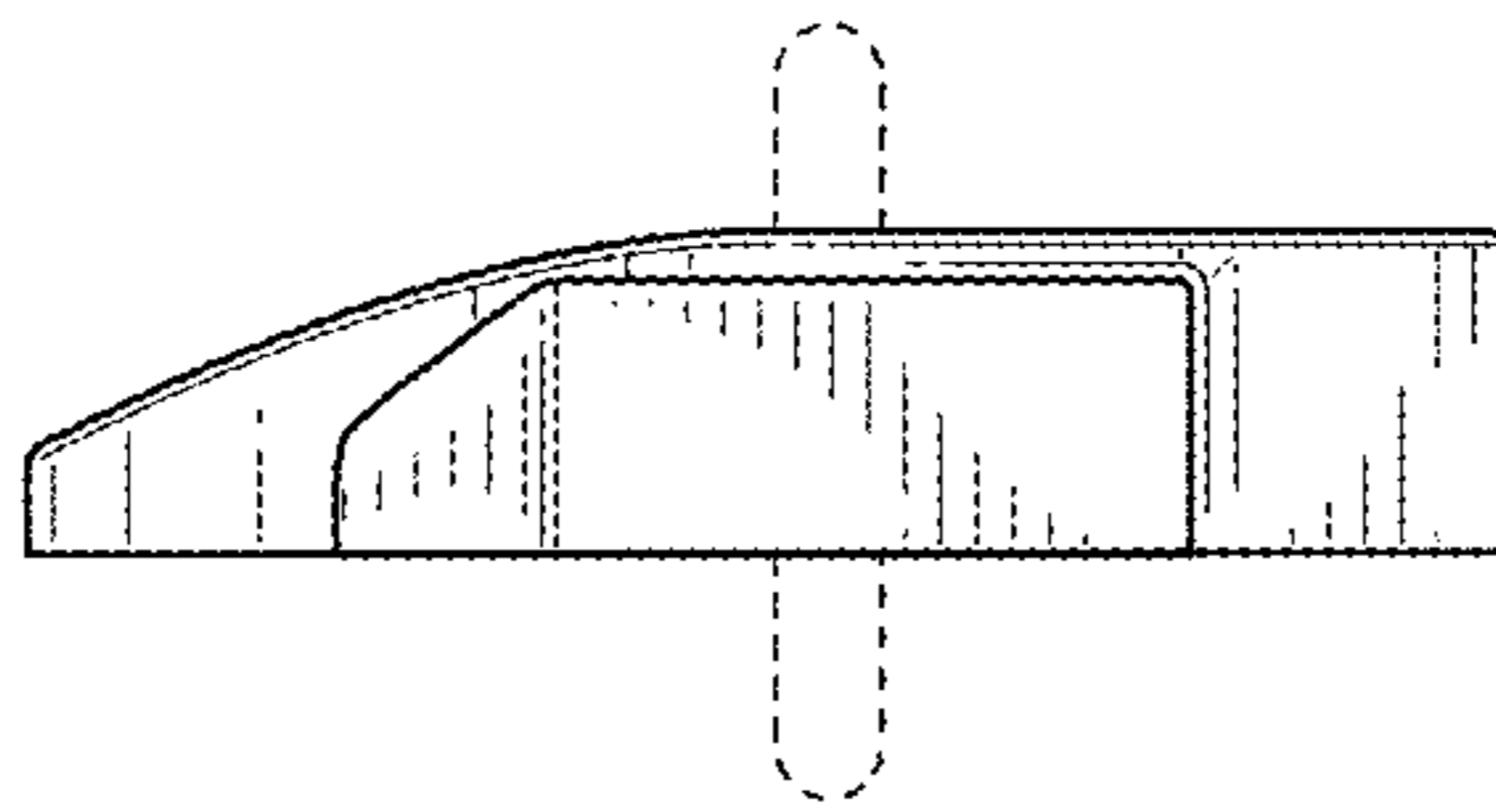


FIG. 7