



US00D777597S

(12) **United States Design Patent**
Hardy

(10) **Patent No.:** **US D777,597 S**
(45) **Date of Patent:** **** Jan. 31, 2017**

(54) **RING**
(71) Applicant: **Cartier International AG**, Steinhausen (CH)
(72) Inventor: **Theodora Hardy**, Paris (FR)
(73) Assignee: **Cartier International AG**, Steinhausen (CH)

D394,225 S * 5/1998 Mehta D11/26
D443,548 S * 6/2001 Haquet D11/26
D465,173 S * 11/2002 Gordon D11/26
D472,180 S * 3/2003 Lee D11/26
D472,842 S * 4/2003 Coin D11/26
6,766,659 B1 * 7/2004 Varga A44C 9/00
63/15
D586,251 S * 2/2009 Walker D11/26

(**) Term: **15 Years**
(21) Appl. No.: **29/535,024**

* cited by examiner

Primary Examiner — Cynthia Ramirez

Assistant Examiner — Llorellys Martinez-Rivera

(22) Filed: **Aug. 3, 2015**

(74) *Attorney, Agent, or Firm* — Taft Stettinius & Hollister LLP

(51) **LOC (10) Cl.** **11-01**
(52) **U.S. Cl.**
USPC **D11/26**

(58) **Field of Classification Search**
USPC D11/1–48, 75–79
CPC . A44C 15/005; A44C 15/0015; A44C 15/001;
A44C 15/0035; A44C 25/001; A44C
25/00; A44C 25/005; A44C 5/00; A44C
5/0015; A44C 5/0007; A44C
5/0084; A44C 5/12; A44C 5/14; A44C
5/2066; A44C 5/2076; A44C 13/00; A44C
11/002; A44C 9/00; A44C 9/003; A44C
9/0046; A44C 17/0233; A44C
17/04; A44C 27/006; A44C 7/00; A44C
7/002; A44C 23/00; A44D 2205/00
See application file for complete search history.

(57) **CLAIM**

The ornamental design for a ring, as shown and described.

DESCRIPTION

FIG. 1 is a front elevation view of a ring showing my new design.

FIG. 2 is a rear elevation view of the ring of FIG. 1.

FIG. 3 is a bottom plan view of the ring of FIG. 1.

FIG. 4 is a top plan view of the ring of FIG. 1.

FIG. 5 is a right side elevation view of the ring of FIG. 1; and,

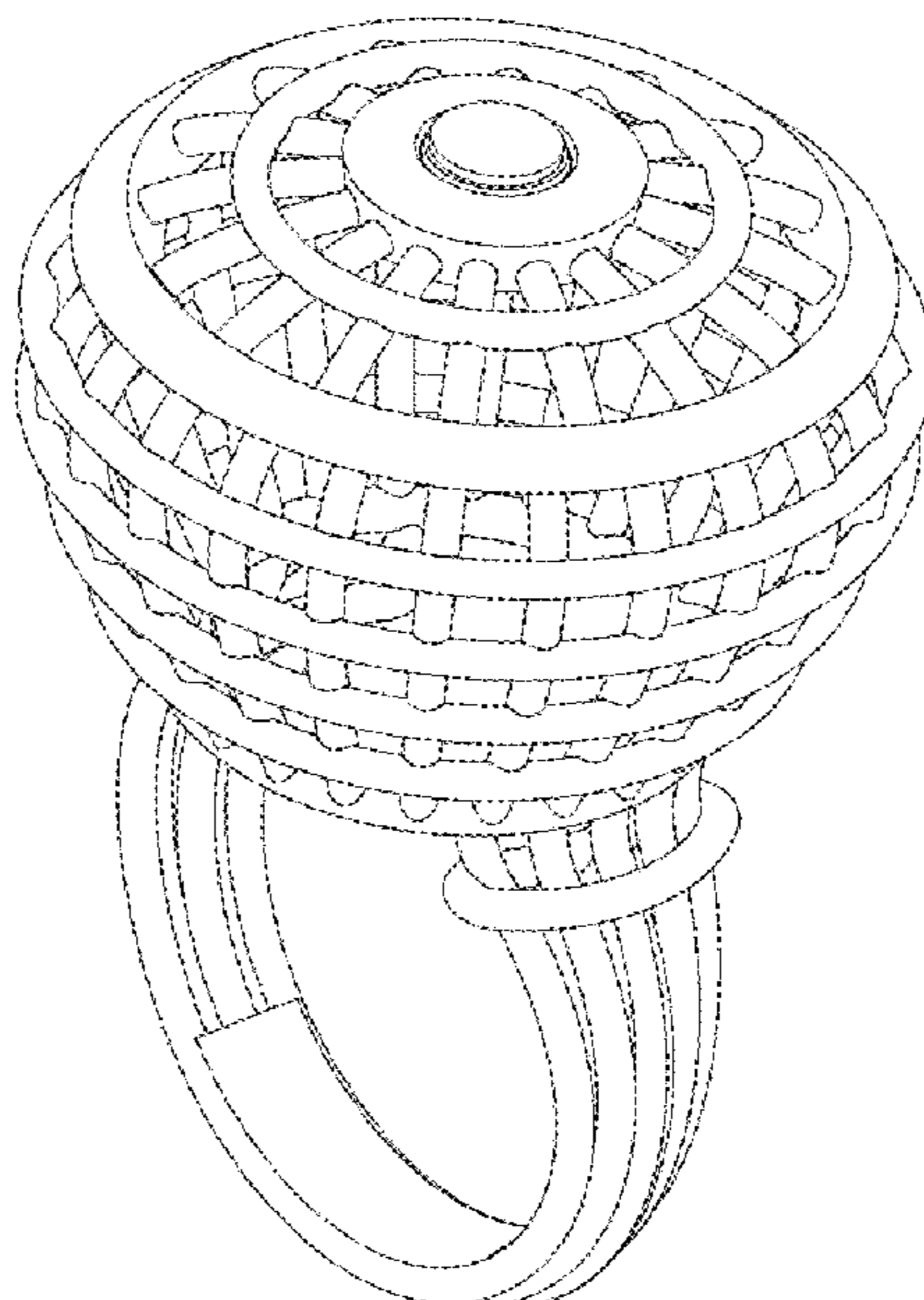
FIG. 6 is a left side elevation view of the ring of FIG. 1.

(56) **References Cited**

U.S. PATENT DOCUMENTS

D12,370 S * 7/1881 Wallace D11/20
D157,454 S * 2/1950 Wheeler D11/26
D225,018 S * 10/1972 Shiman D11/34
D291,664 S * 9/1987 Kelman D11/27

1 Claim, 1 Drawing Sheet



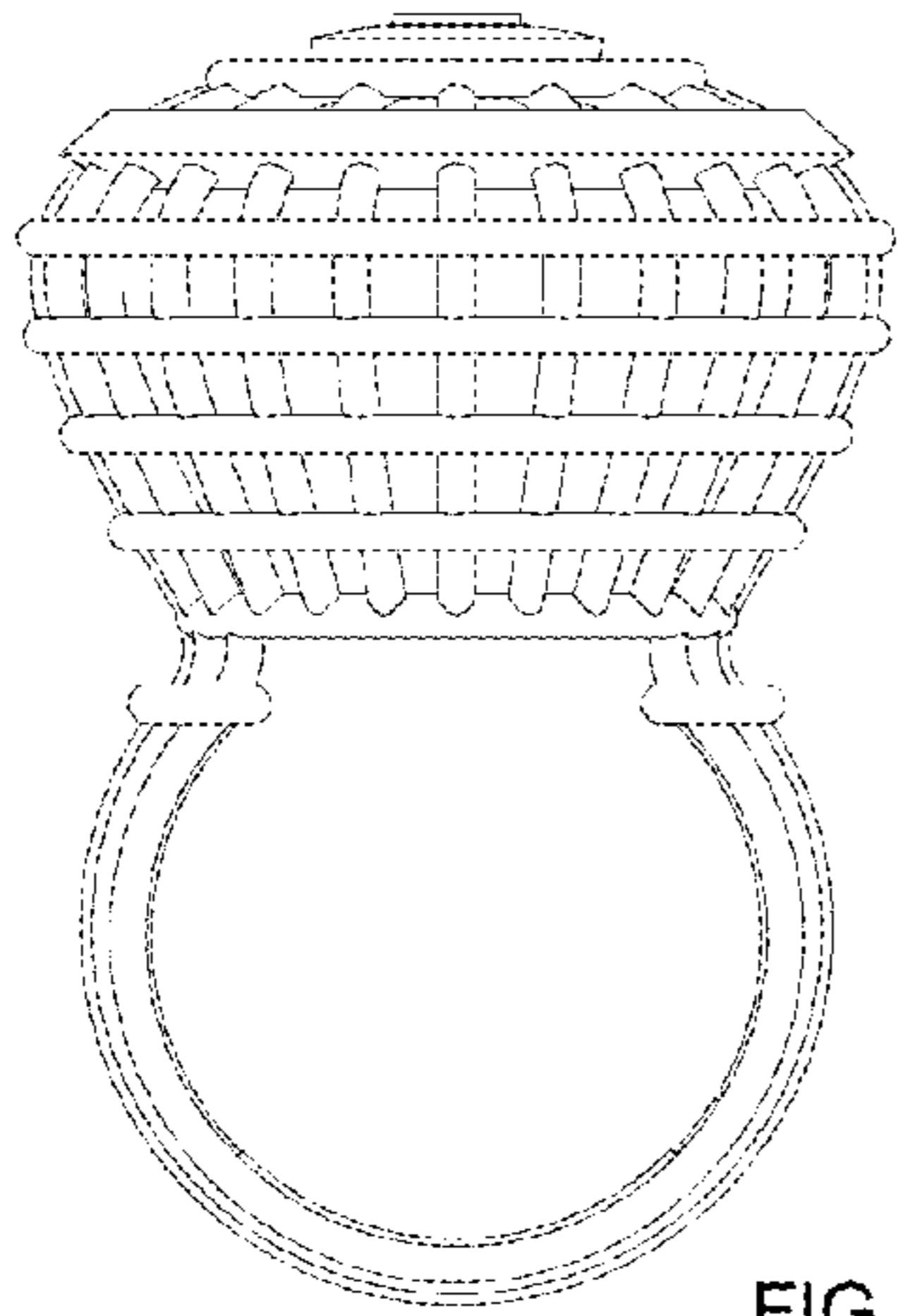


FIG. 1

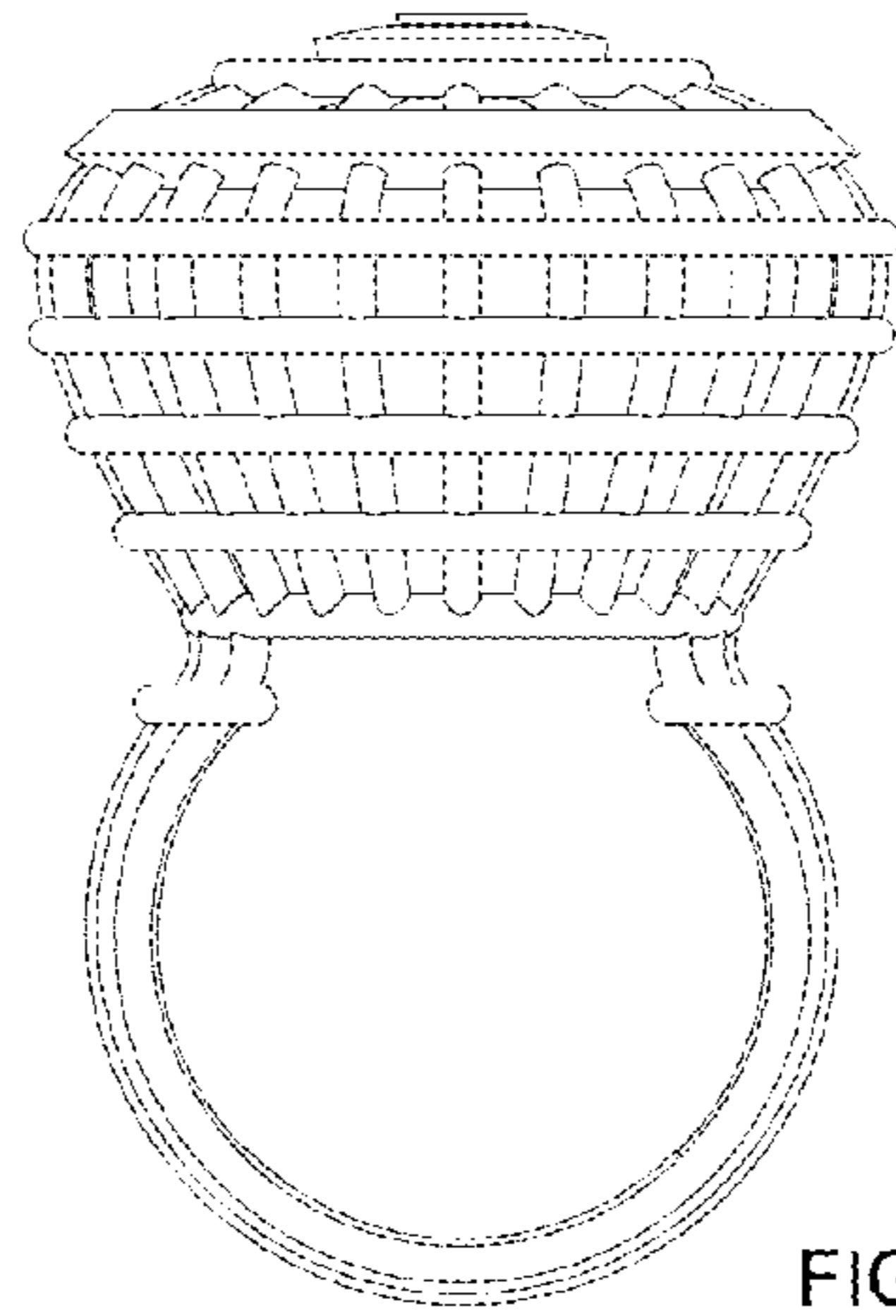


FIG. 2

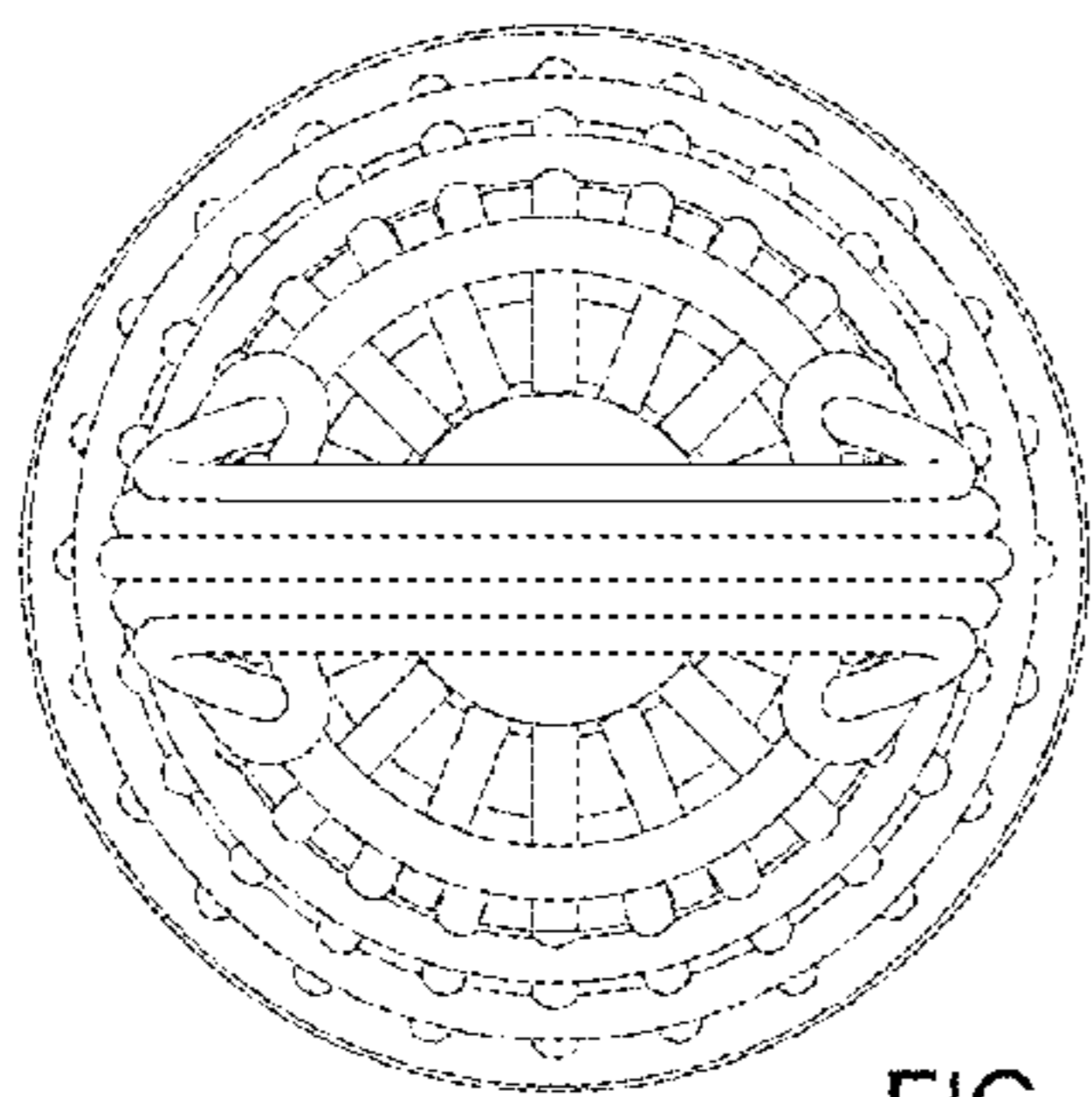


FIG. 3

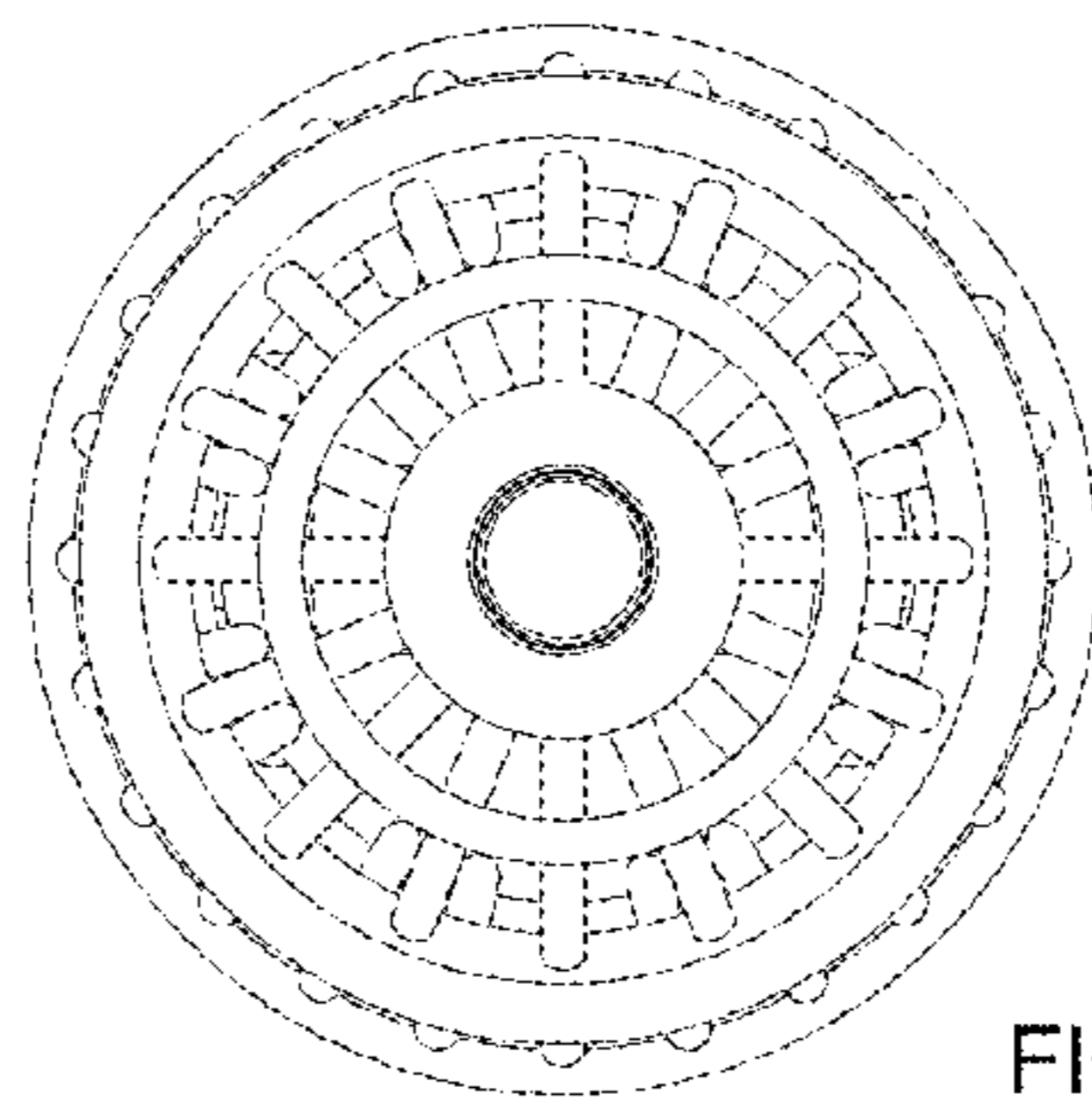


FIG. 4

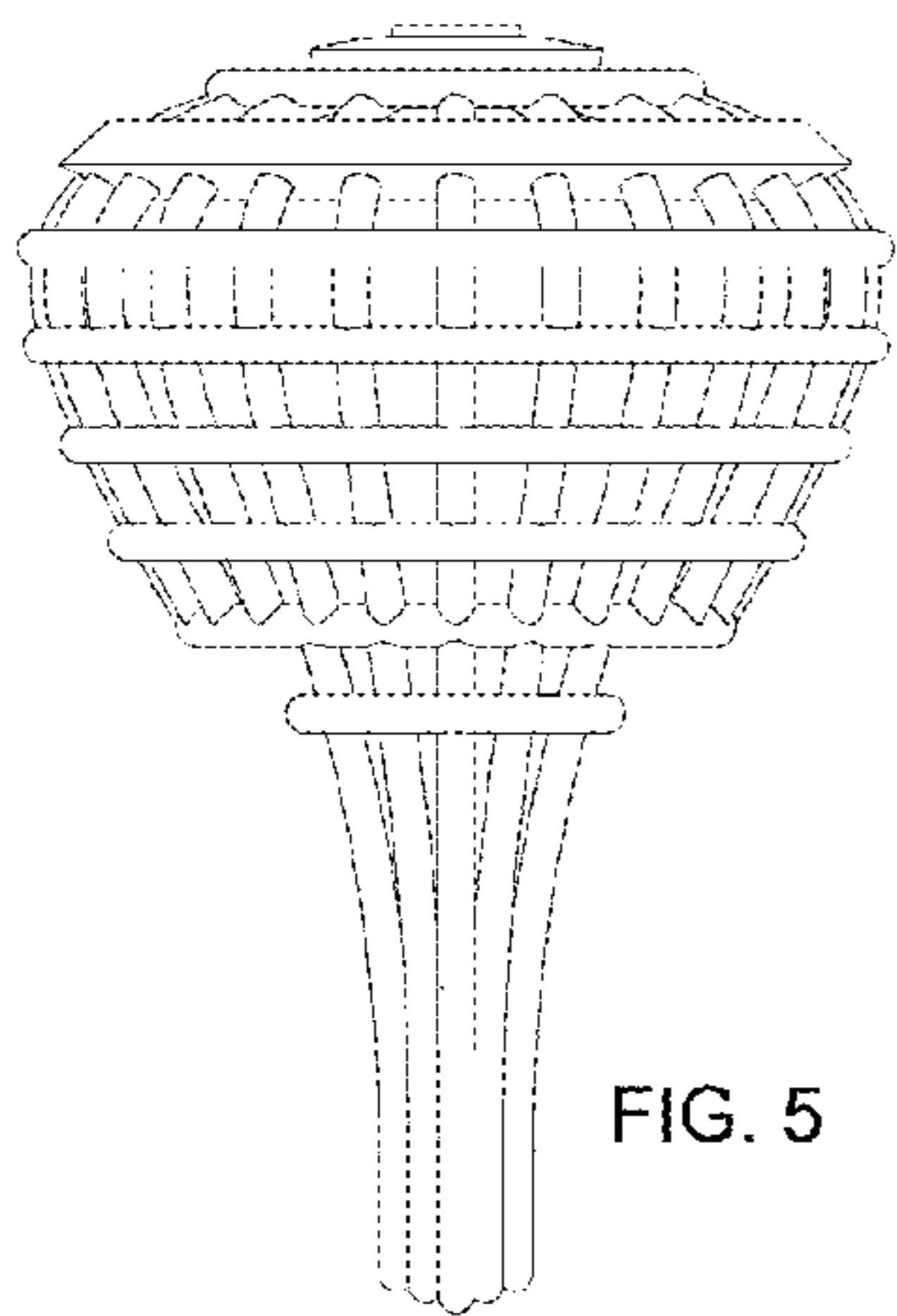


FIG. 5

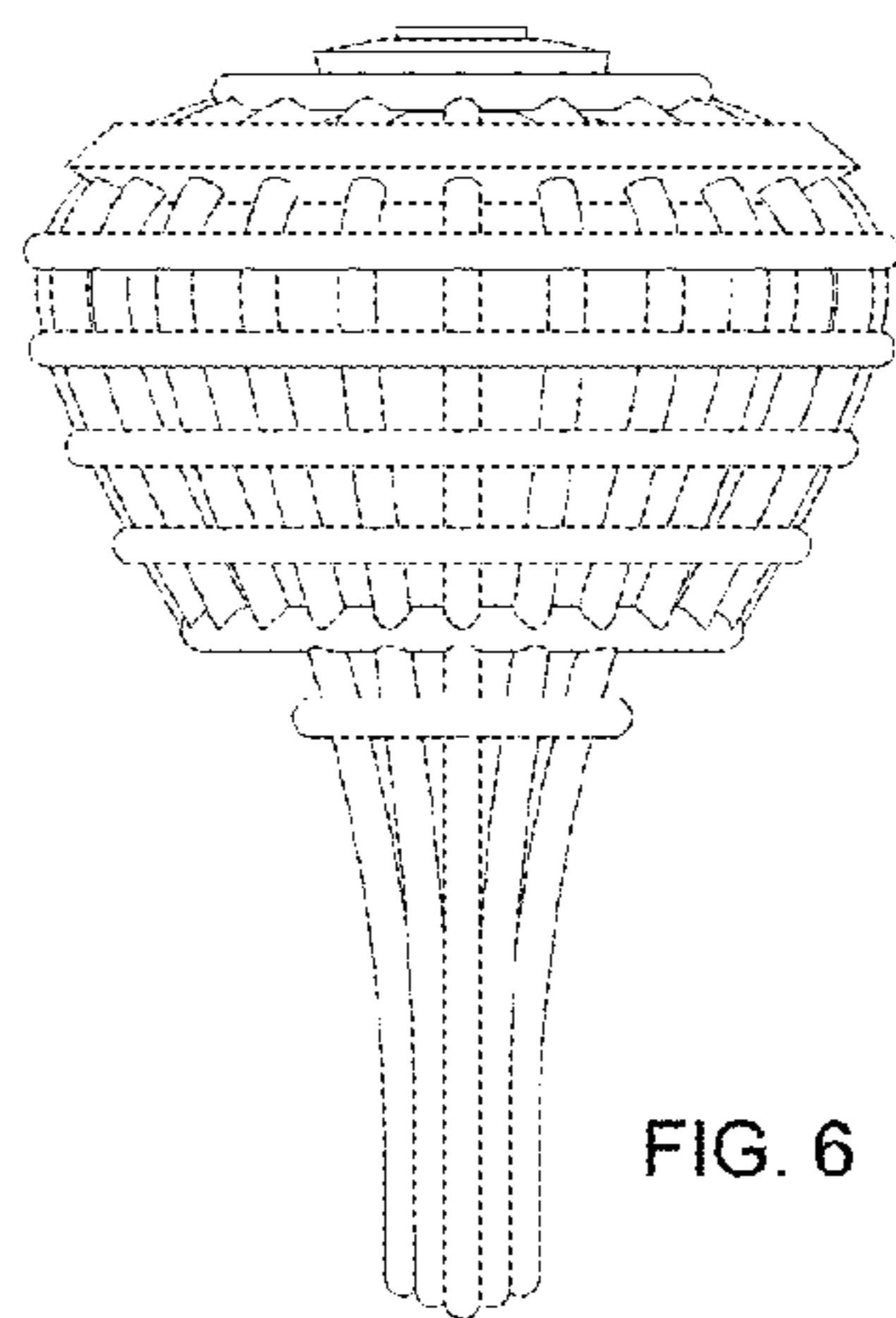


FIG. 6

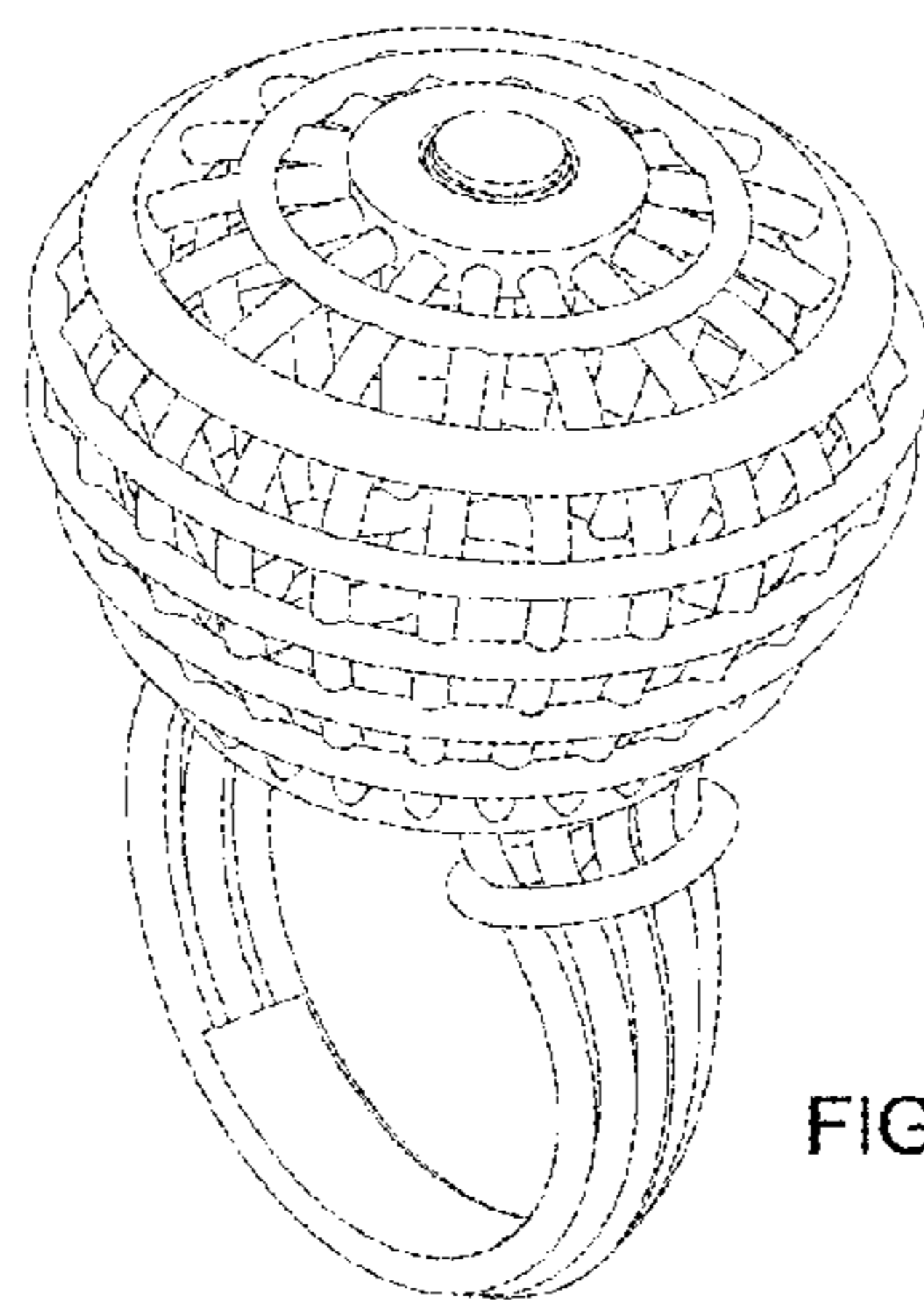


FIG. 7