



US00D777595S

(12) **United States Design Patent**
Counts

(10) **Patent No.:** **US D777,595 S**
(45) **Date of Patent:** **** Jan. 31, 2017**

(54) **DUCK GAME CALL DEVICE** 2,583,400 A * 1/1952 Wade A01M 31/004
446/188

(71) Applicant: **Danny Counts**, Fayetteville, AR (US) 2,651,141 A 9/1953 Bococchi
2,711,614 A 4/1974 Erhart

(72) Inventor: **Danny Counts**, Fayetteville, AR (US) 4,151,678 A 5/1979 Robertson
5,230,649 A 7/1993 Robertson
D405,378 S 2/1999 Rhodes
D598,314 S * 8/2009 Ingerman D10/109.2
2009/0258566 A1 10/2009 May
2015/0196021 A1* 7/2015 Squires A01M 31/004
446/207

(**) Term: **15 Years**

(21) Appl. No.: **29/547,777**

(22) Filed: **Dec. 8, 2015**

(51) **LOC (10) Cl.** **10-05**

(52) **U.S. Cl.**
USPC **D10/119.1**

(58) **Field of Classification Search**
USPC D10/119.2; D22/199; 446/202-209, 416
CPC G10D 9/00; A01M 31/004; A63H 5/00
See application file for complete search history.

(56) **References Cited**
U.S. PATENT DOCUMENTS

795,493 A 7/1905 Ditto
825,610 A 7/1906 Olt
1,175,518 A 3/1916 Hansen
1,855,527 A * 4/1932 Muehlstein A63H 5/00
43/1
2,555,240 A * 5/1951 Muehlstein A01M 31/004
446/200
2,559,781 A 7/1951 McMahon
2,564,942 A * 8/1951 Wemmer, Sr. A01M 31/004
43/3

FOREIGN PATENT DOCUMENTS

CA 479612 A 12/1951
* cited by examiner

Primary Examiner — George D Kirschbaum
Assistant Examiner — Joseph Kukella

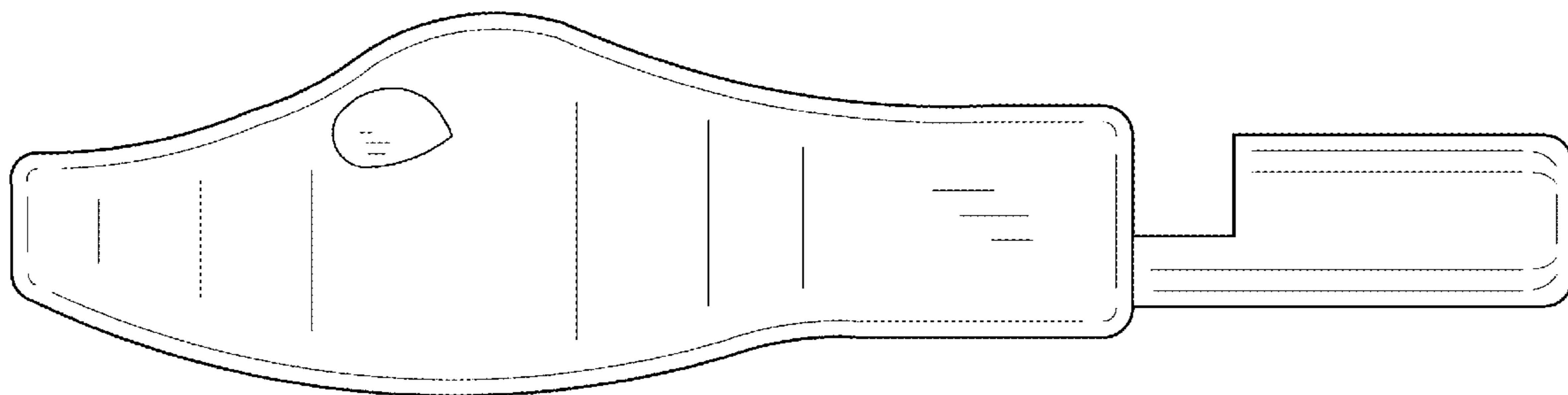
(57) **CLAIM**

I claim the ornamental design for a duck game call device, as shown and described.

DESCRIPTION

FIG. 1 is a front view of the duck game call device.
FIG. 2 is a left view of the claimed design.
FIG. 3 is a right view of the claimed design.
FIG. 4 is a top view of the claimed design; and,
FIG. 5 is a bottom view of the claimed design.

1 Claim, 3 Drawing Sheets



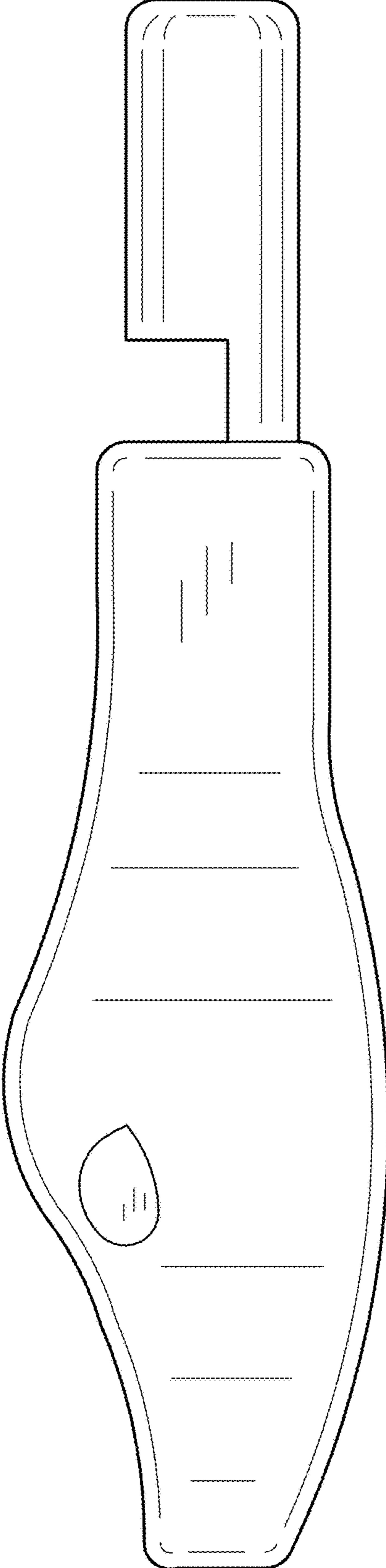


FIG. 1

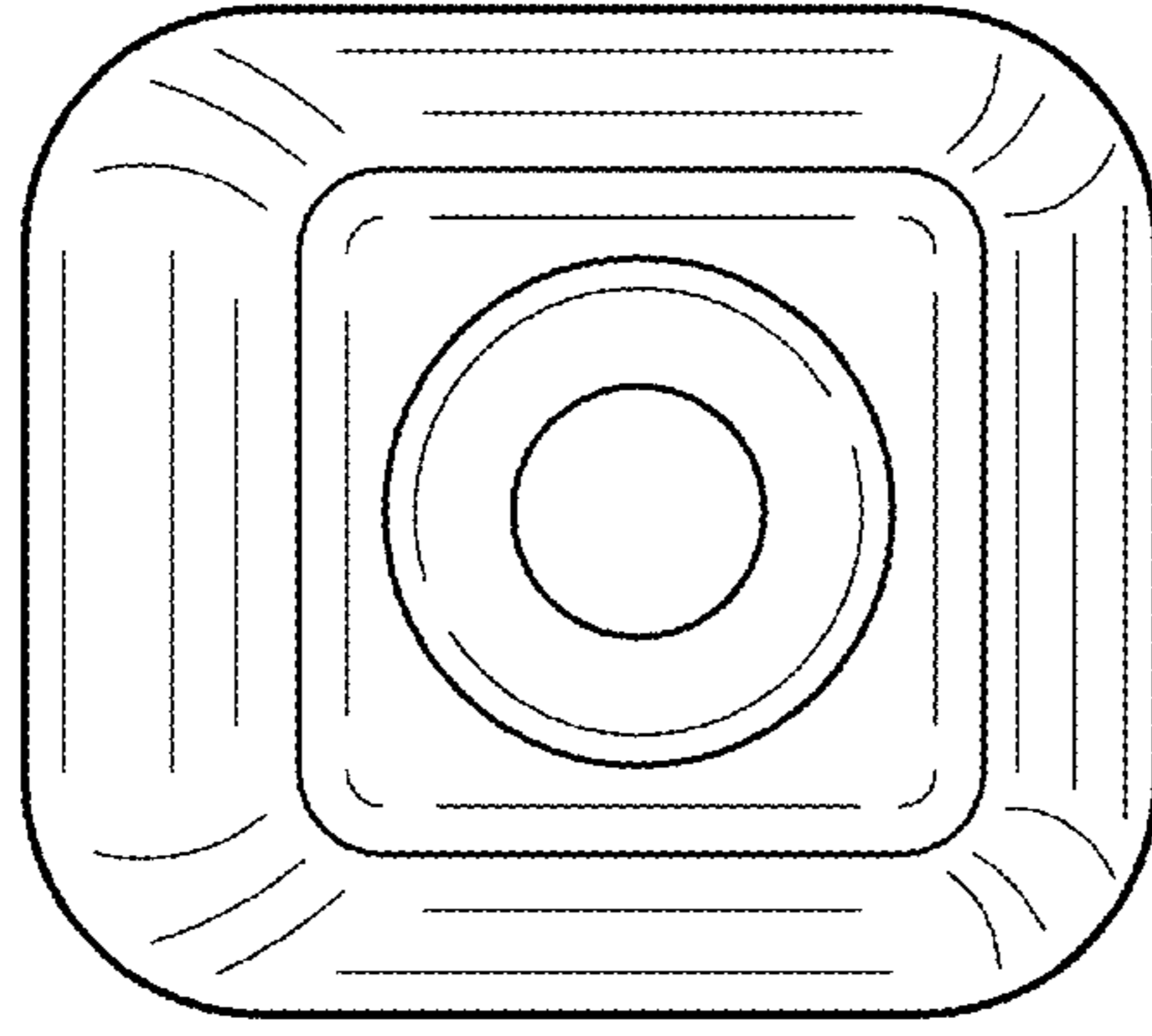


FIG. 3

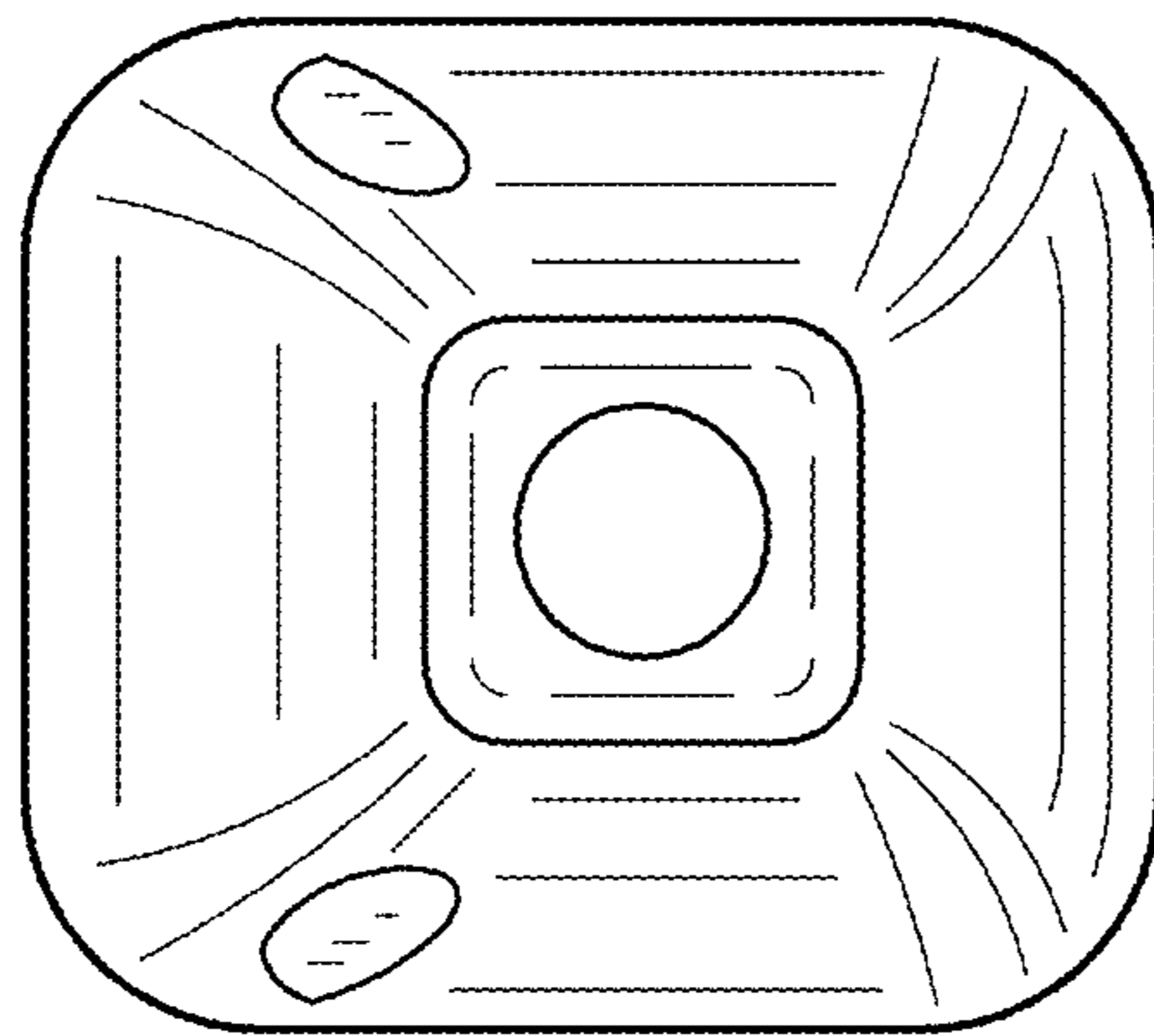


FIG. 2

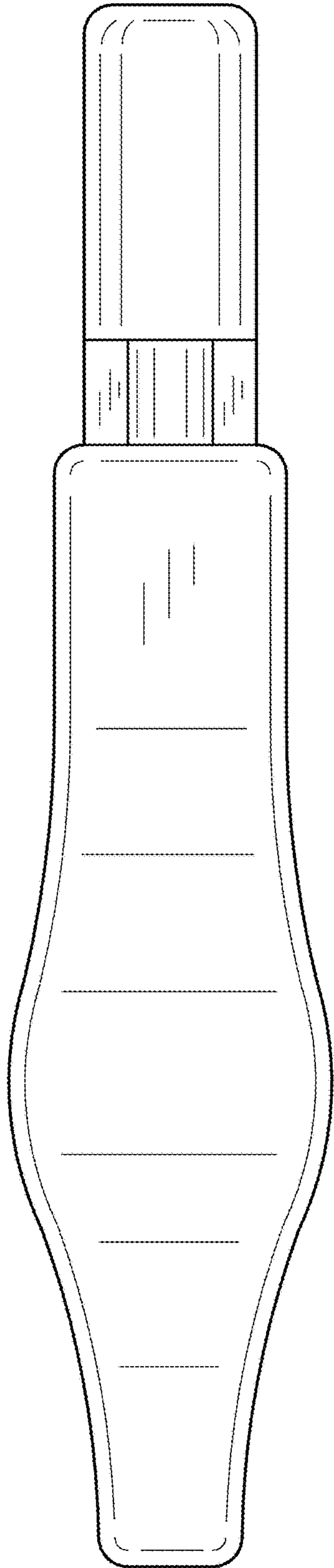


FIG. 4

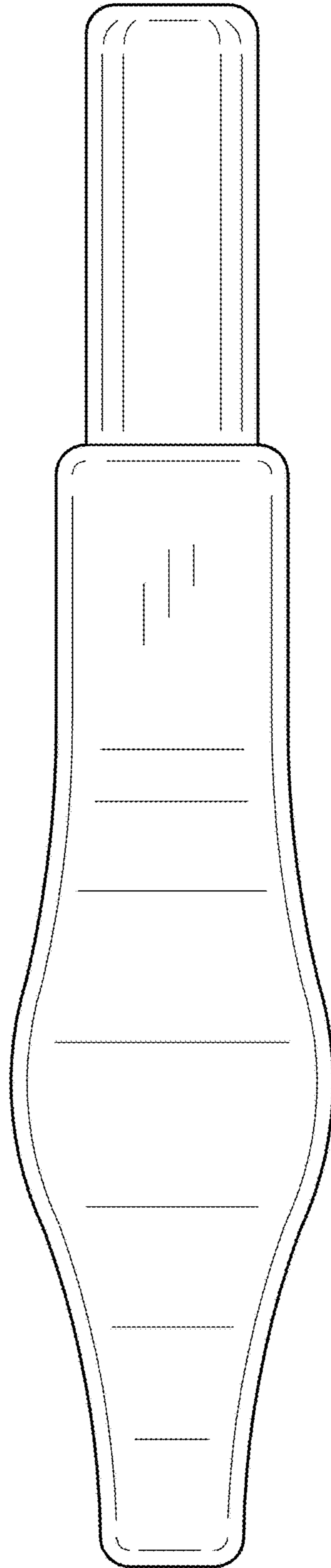


FIG. 5