

US00D777593S

(12) **United States Design Patent**
Bolger et al.

(10) **Patent No.:** **US D777,593 S**
(45) **Date of Patent:** **** Jan. 31, 2017**

(54) **FIRE ALARM**
(71) Applicant: **Sprue Safety Products Ltd.**, Coventry (GB)
(72) Inventors: **Chris Bolger**, Coventry (GB); **Peter Brigham**, Coventry (GB)
(73) Assignee: **SPRUE SAFETY PRODUCTS LTD.** (GB)

D678,097 S * 3/2013 Elwell D10/106.6
D703,565 S * 4/2014 Chen D10/106.5
D703,566 S * 4/2014 Chen D10/106.5
D715,170 S * 10/2014 Brigham D10/106.5
D715,171 S * 10/2014 Brigham D10/106.5
8,970,387 B2 * 3/2015 Brigham G08B 17/113
340/628
9,013,317 B2 * 4/2015 Brigham G08B 17/06
340/628
9,057,631 B2 * 6/2015 Newton G08B 17/10

(**) Term: **15 Years**
(21) Appl. No.: **29/544,294**
(22) Filed: **Nov. 2, 2015**

FOREIGN PATENT DOCUMENTS

EM 001213664-0001 6/2010
EM 002302489-0001 A1 9/2013
EM 002302489-0002 A1 9/2013

* cited by examiner

(30) **Foreign Application Priority Data**
May 1, 2015 (EM) 002693473
(51) **LOC (10) Cl.** **10-05**
(52) **U.S. Cl.**
USPC **D10/106.1**
(58) **Field of Classification Search**
USPC D10/104.1, 106.1-106.8; D16/203;
340/571, 588, 628-630
CPC G08B 5/36; G08B 17/06; G08B 17/10;
G08B 17/113; G08B 5/38
See application file for complete search history.

Primary Examiner — Sandra Morris
(74) *Attorney, Agent, or Firm* — Levenfeld Pearlstein, LLC

(57) **CLAIM**

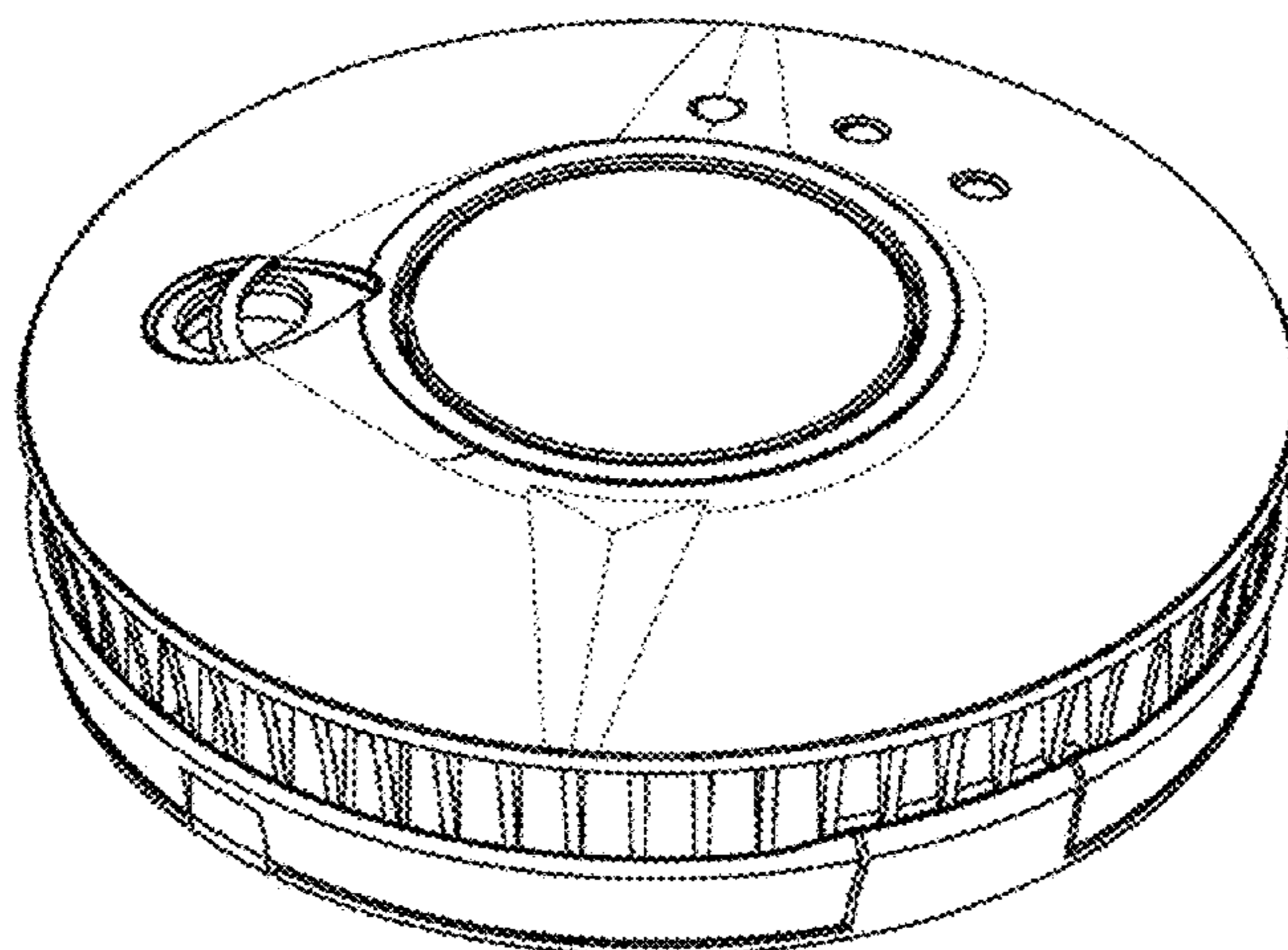
The ornamental design for a fire alarm, as shown and described.

DESCRIPTION

FIG. 1 is a top front perspective view of a fire alarm embodying our new design;
FIG. 2 is a top view thereof;
FIG. 3 is a bottom view thereof, the bottom being unadorned and forming no part of the claimed design;
FIG. 4 is a front view thereof;
FIG. 5 is a rear view thereof;
FIG. 6 is a side view thereof, as seen from the right-hand side of FIG. 4; and,
FIG. 7 is a side view thereof, as seen from the left-hand side of FIG. 4.

(56) **References Cited**
U.S. PATENT DOCUMENTS
4,236,822 A * 12/1980 Jaretsky G08B 17/113
340/628
D308,947 S * 7/1990 Downing D10/106.5
D346,981 S * 5/1994 Ratzlaff D10/106.5
D422,521 S * 4/2000 Morrow D10/106.5
D533,799 S * 12/2006 Thalhammer D10/106.1
D627,671 S * 11/2010 Gonzales D10/106.5
D653,575 S * 2/2012 Treharne D10/106.5

1 Claim, 7 Drawing Sheets



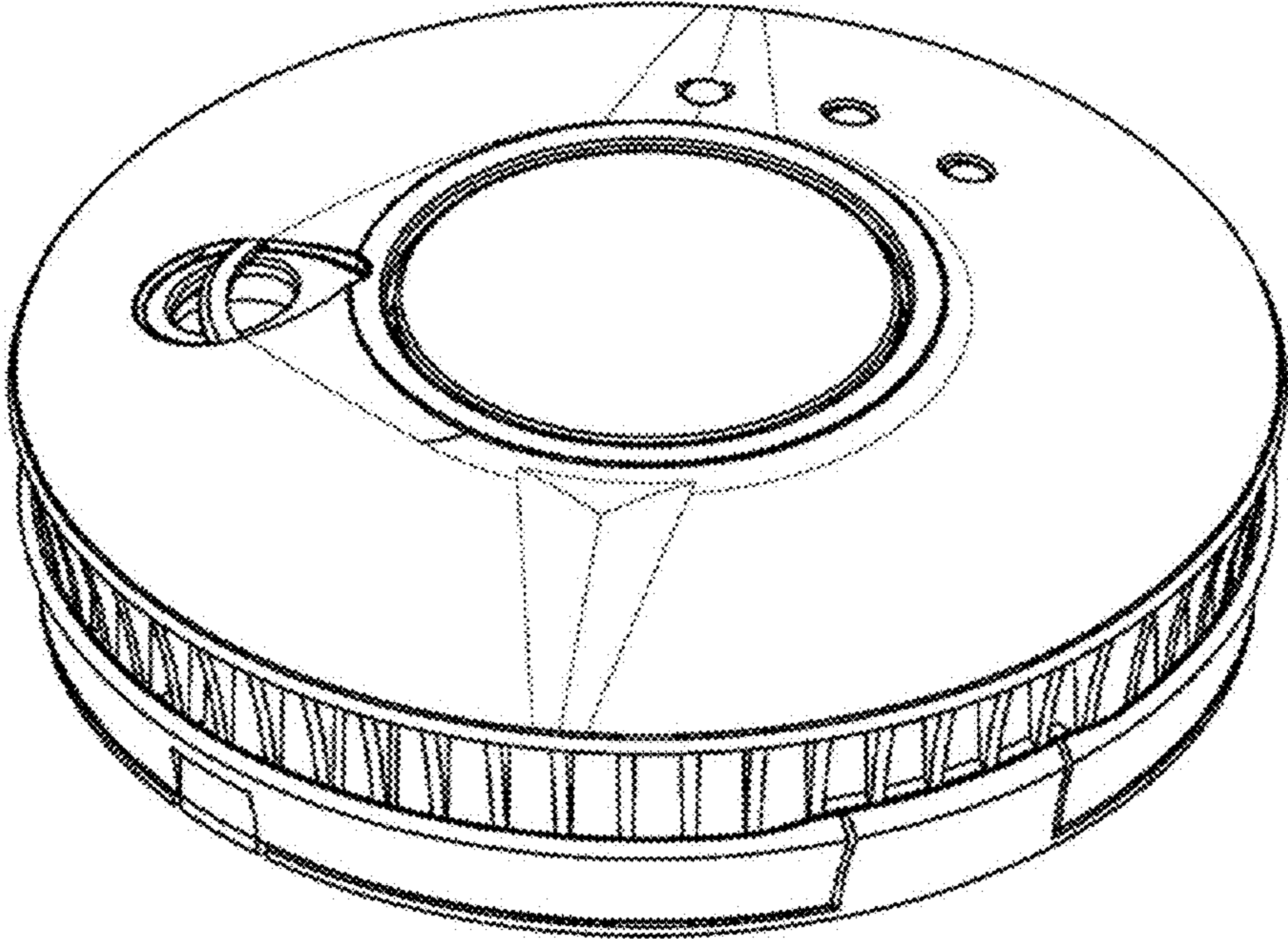


FIG. 1

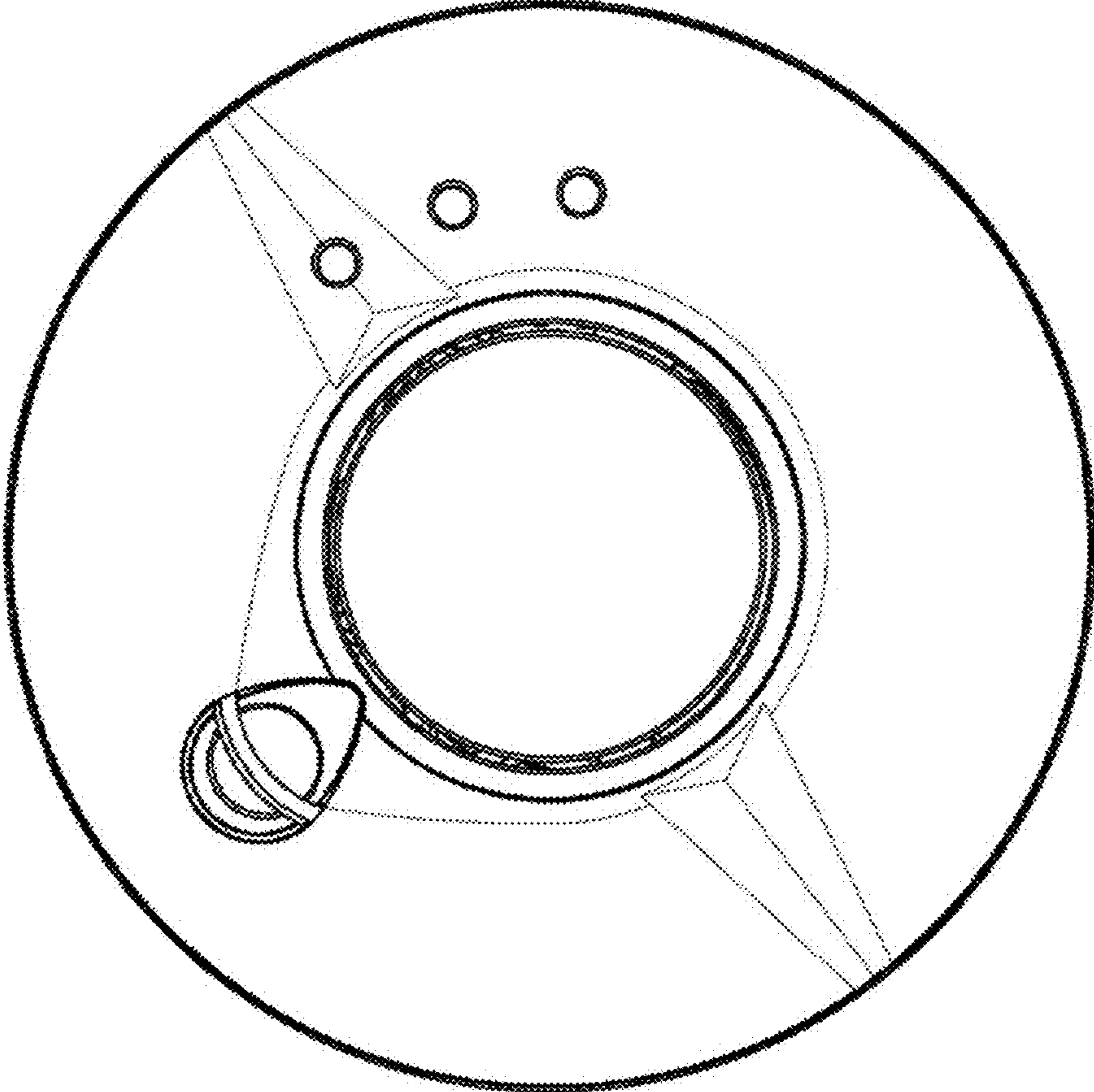


FIG. 2

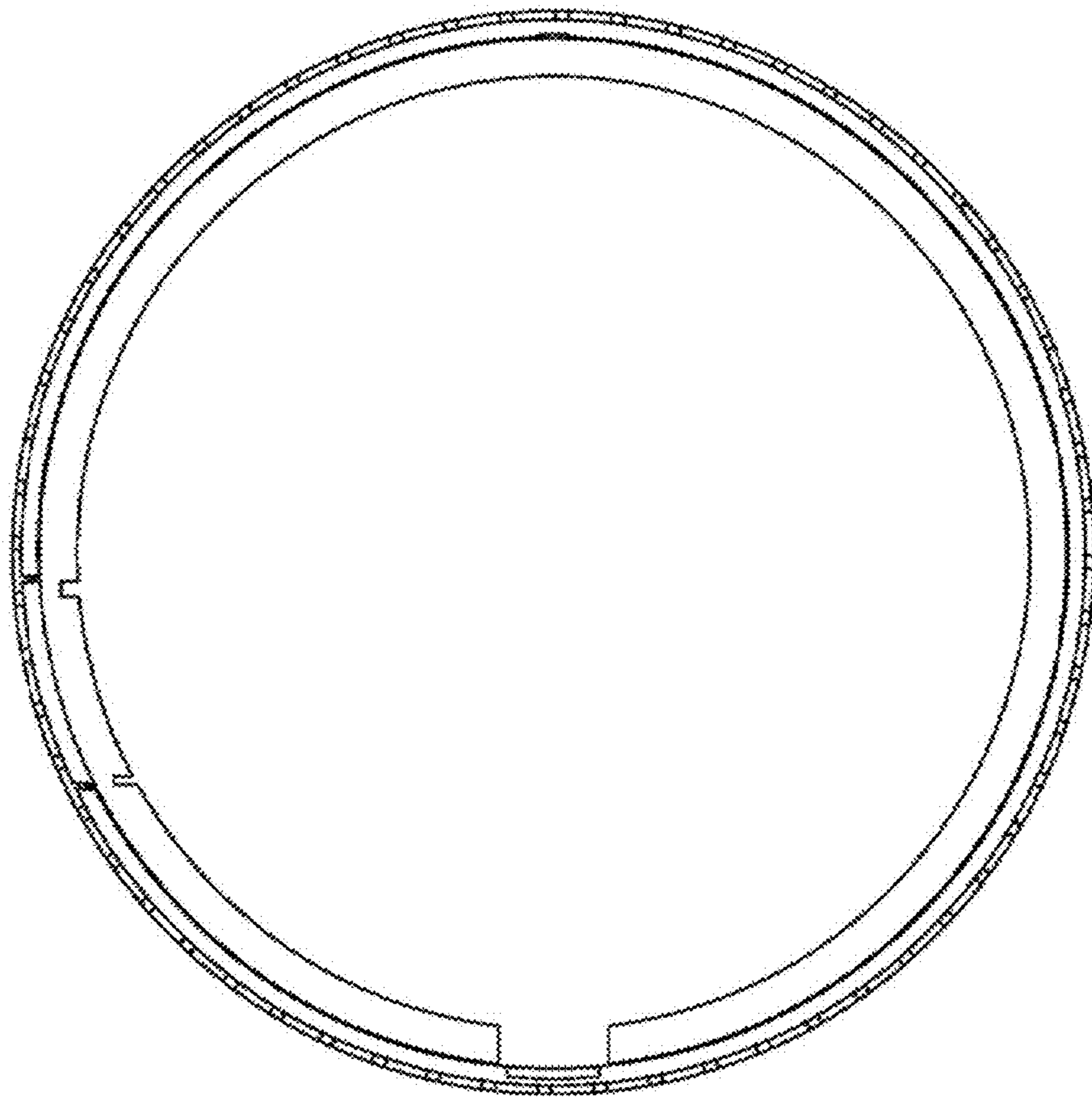


FIG. 3

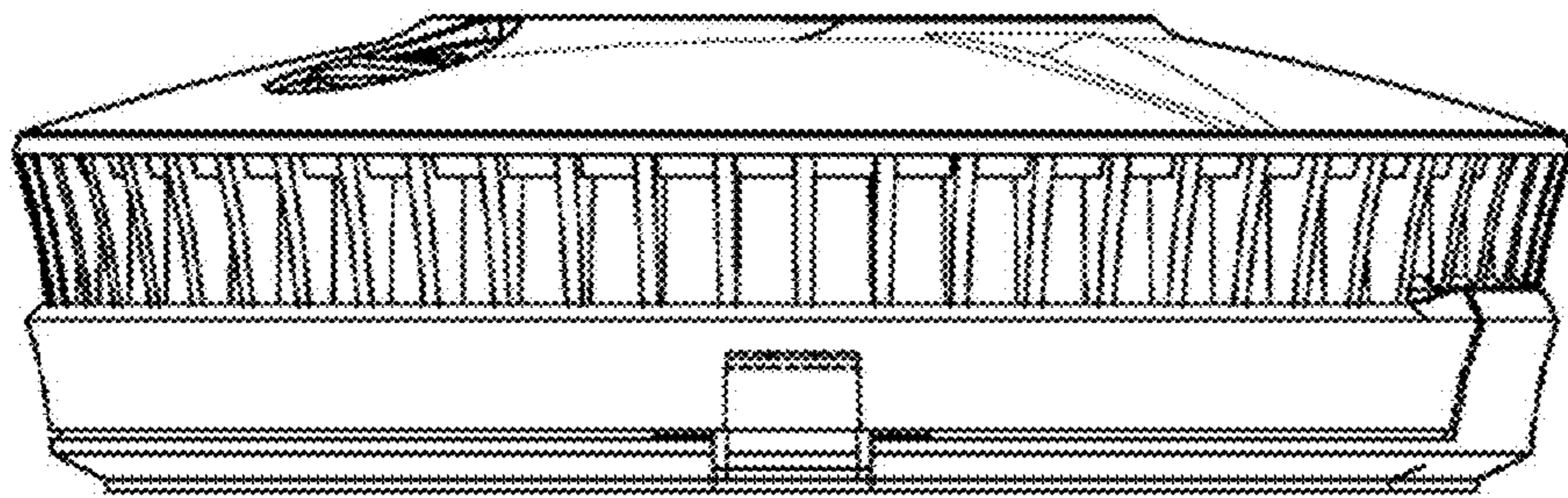


FIG. 4

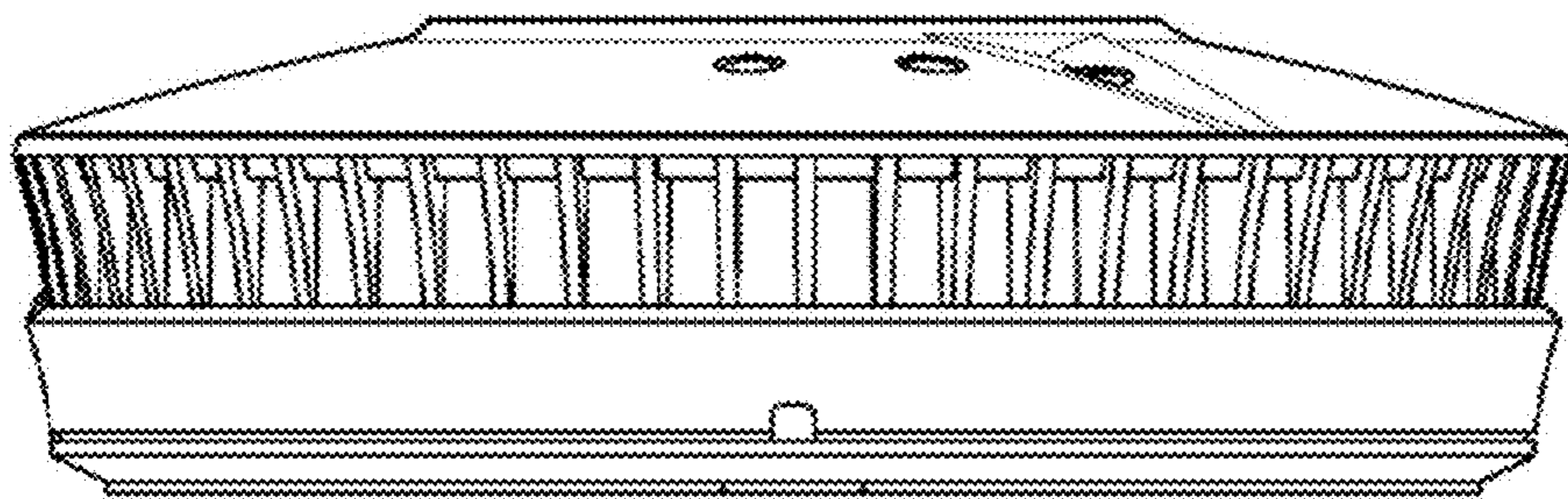


FIG. 5

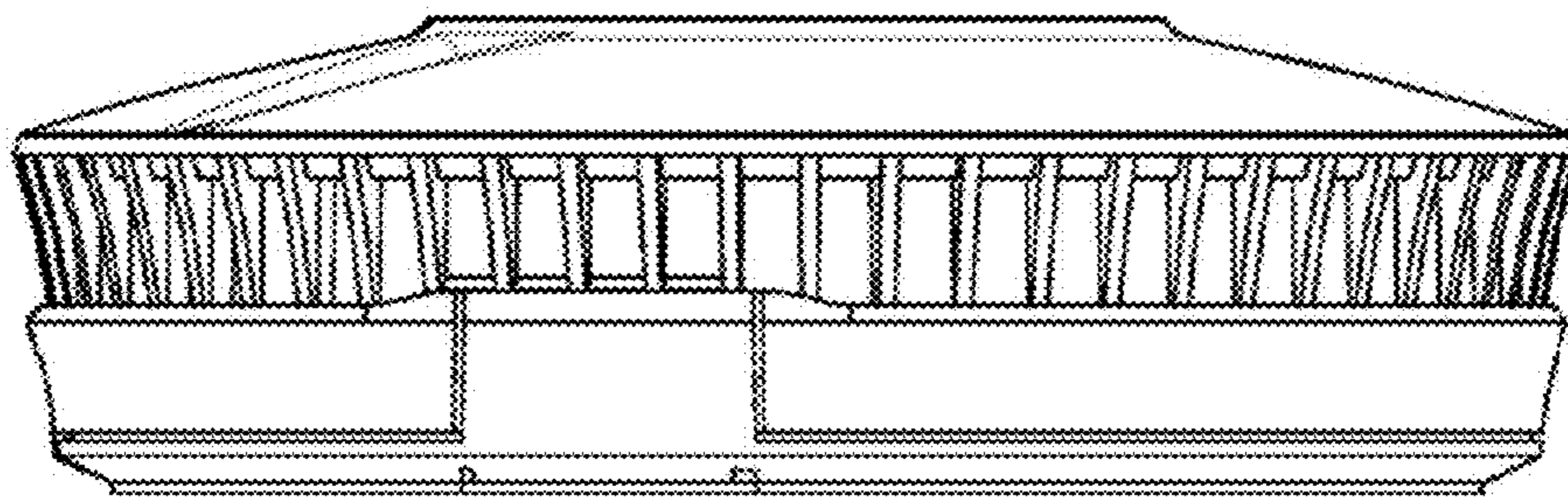


FIG. 6

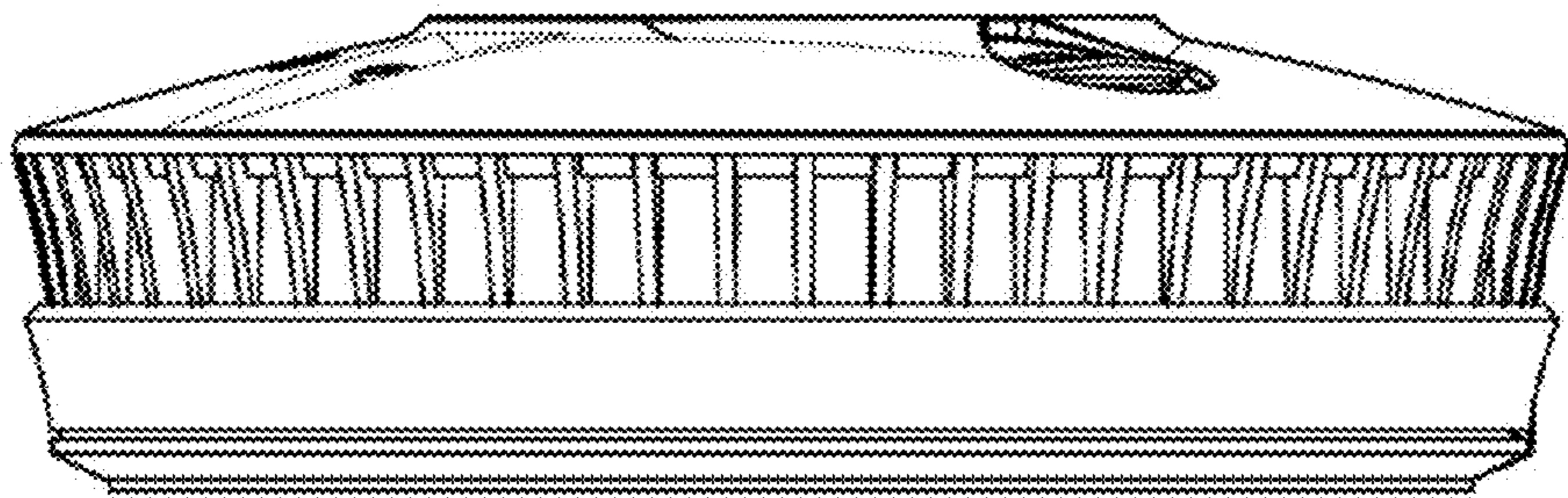


FIG. 7