



US00D777591S

(12) **United States Design Patent**
Haapakoski

(10) **Patent No.:** **US D777,591 S**

(45) **Date of Patent:** **** Jan. 31, 2017**

(54) **BIKE COMPUTER**

(71) Applicant: **Polar Electro Oy**, Kempele (FI)

(72) Inventor: **Heli Haapakoski**, Oulu (FI)

(73) Assignee: **POLAR ELECTRO OY**, Kempele (FI)

(**) Term: **15 Years**

(21) Appl. No.: **29/538,788**

(22) Filed: **Sep. 8, 2015**

(30) **Foreign Application Priority Data**

Jun. 18, 2015 (EM) 002721464-0001

(51) **LOC (10) Cl.** **10-04**

(52) **U.S. Cl.**
USPC **D10/98**

(58) **Field of Classification Search**
USPC D10/98

CPC G01P 3/478; G01P 3/488; G01P 3/4953;
G01P 21/02; G01C 22/00; G01C 22/002

See application file for complete search history.

(56) **References Cited**

U.S. PATENT DOCUMENTS

D637,508 S *	5/2011	Ueda	D10/98
D645,371 S *	9/2011	Ueda	D10/98
D704,583 S *	5/2014	Ueda	D10/98
D727,768 S *	4/2015	Nagano	D10/98
D759,522 S *	6/2016	Ueda	D10/98
D763,107 S *	8/2016	Nielsen	D10/98

* cited by examiner

Primary Examiner — Antoine D Davis

(74) *Attorney, Agent, or Firm* — Hoffmann & Baron, LLP

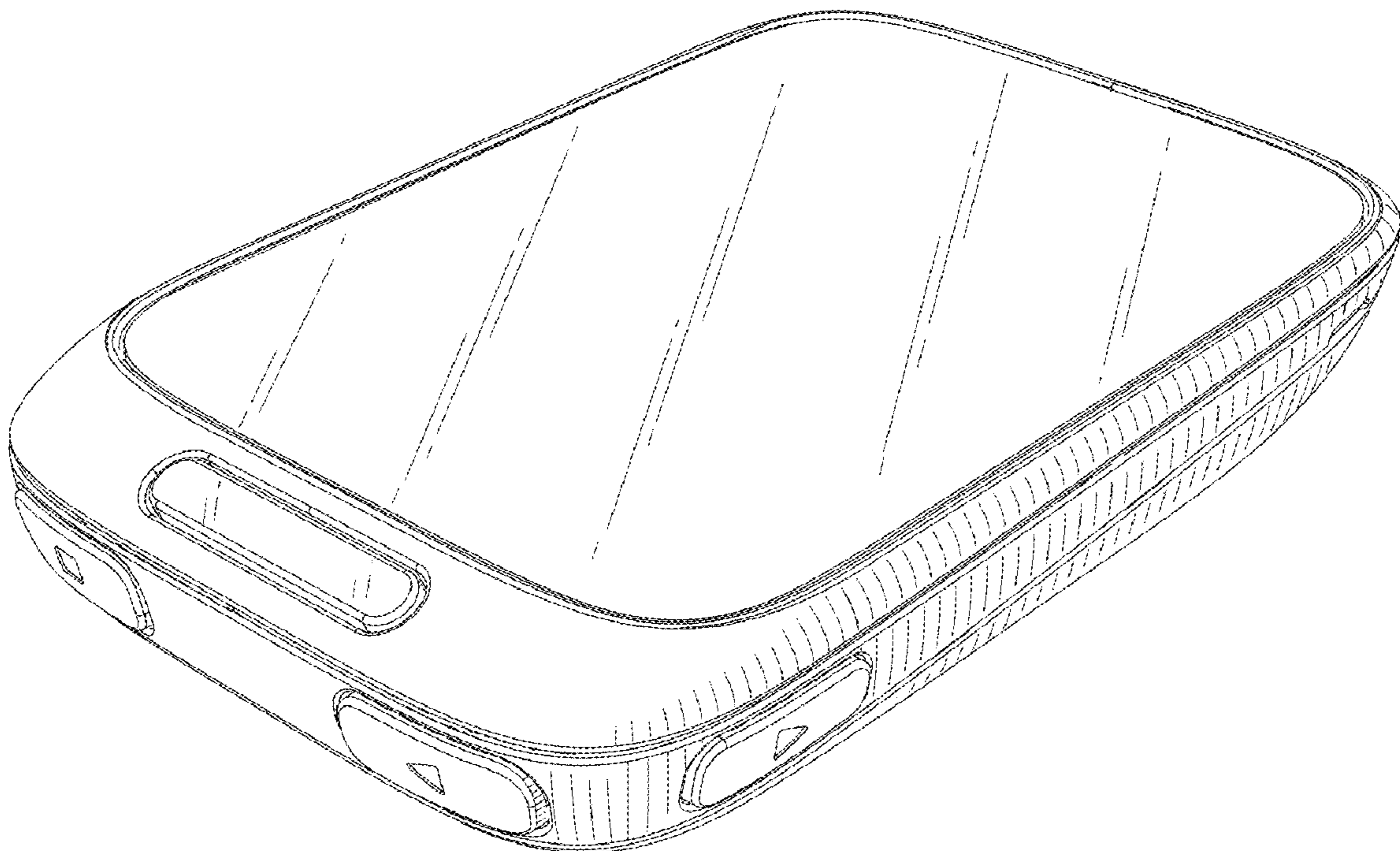
(57) **CLAIM**

The ornamental design for a bike computer, as shown and described.

DESCRIPTION

FIG. 1 is an isometric view of the bike computer;
FIG. 2 is a front view of the bike computer;
FIG. 3 is a rear view of the bike computer;
FIG. 4 is a left-side view of the bike computer;
FIG. 5 is a right-side view of the bike computer;
FIG. 6 is a bottom view of the bike computer; and,
FIG. 7 is a top view of the bike computer.

1 Claim, 7 Drawing Sheets



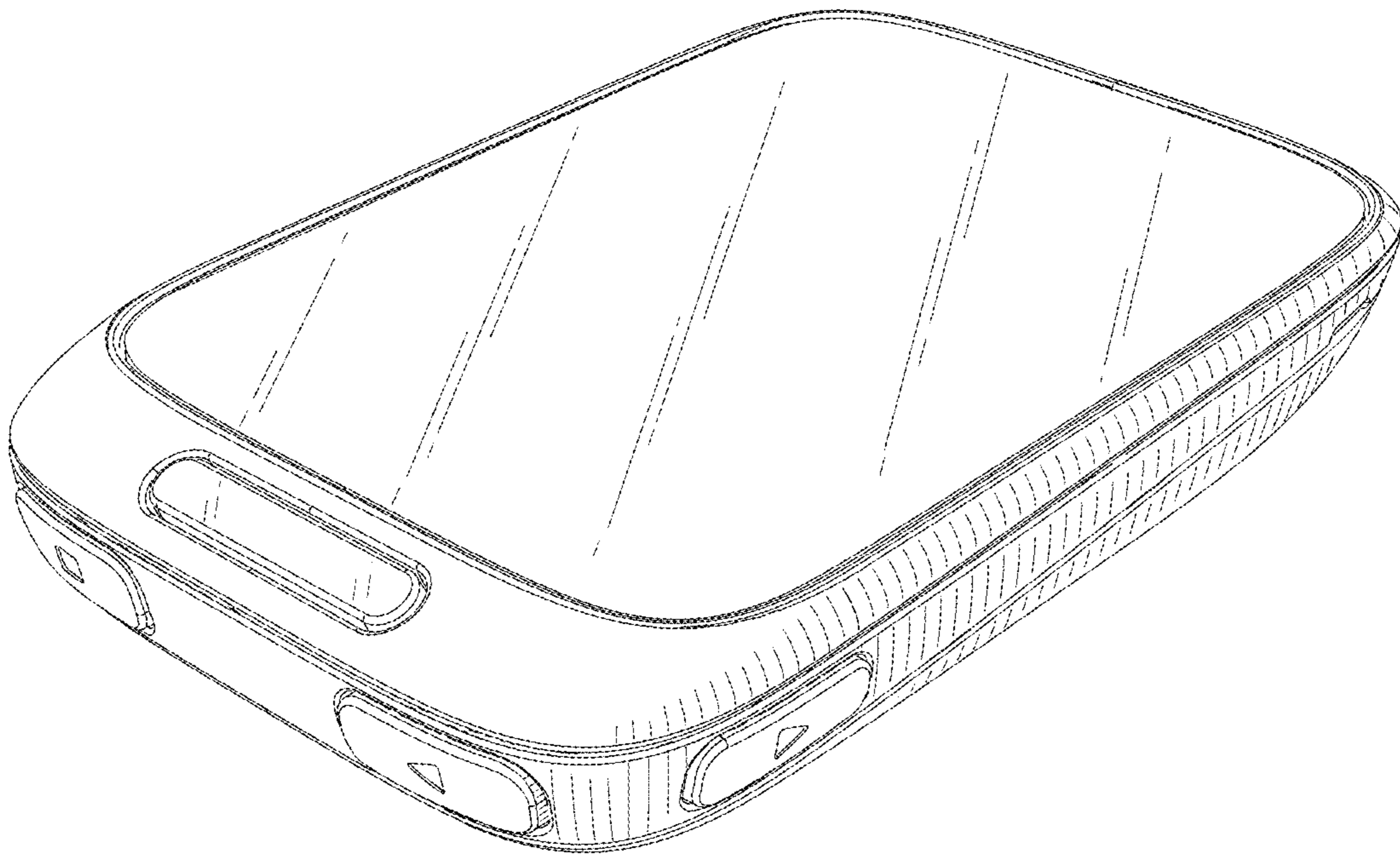


FIG. 1



FIG. 2

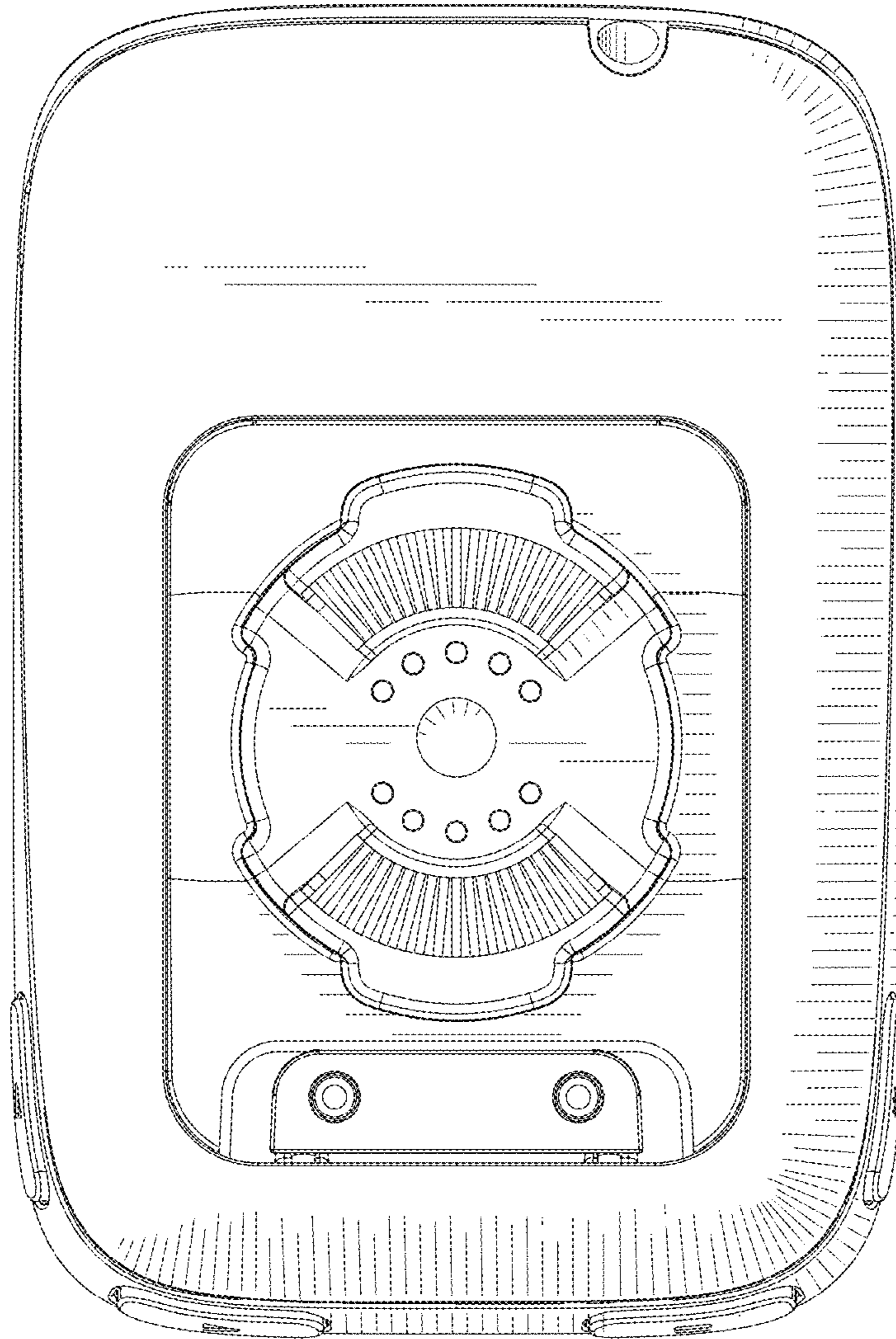


FIG. 3

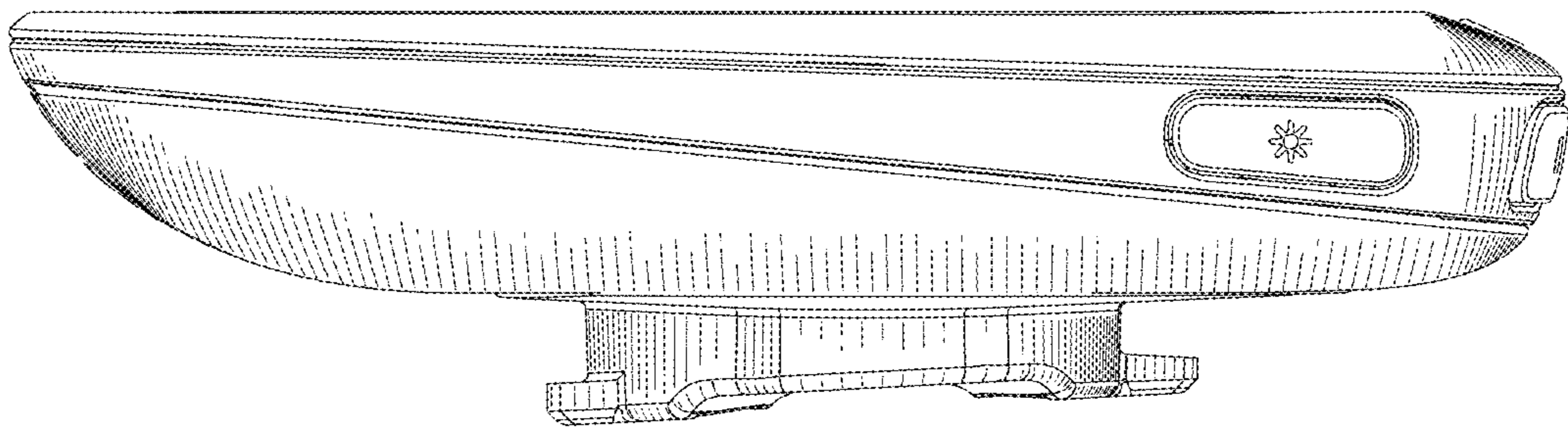


FIG. 4

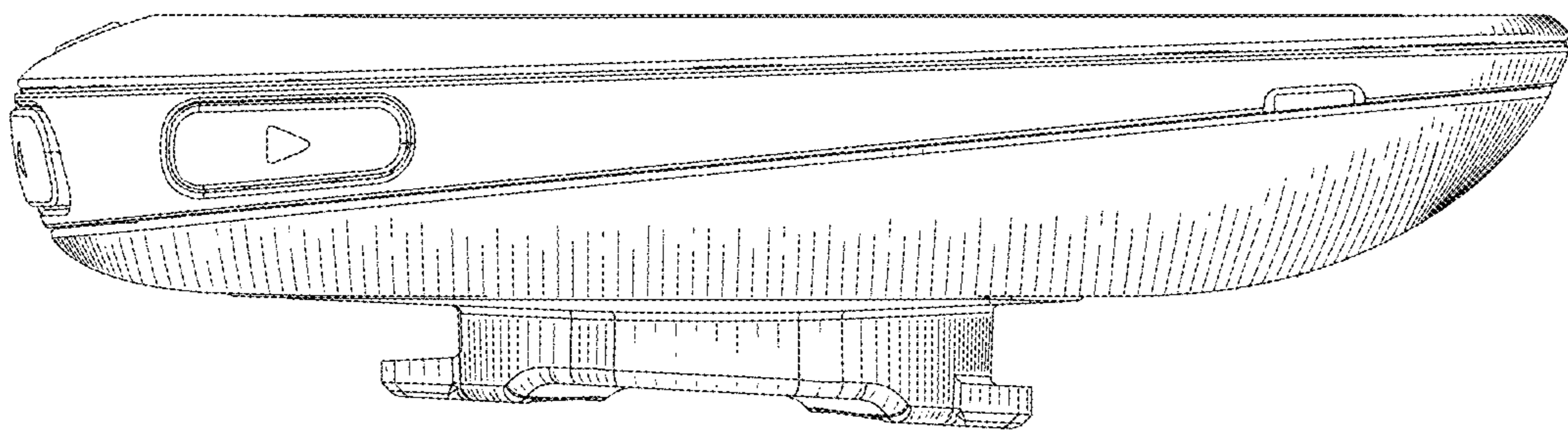


FIG. 5

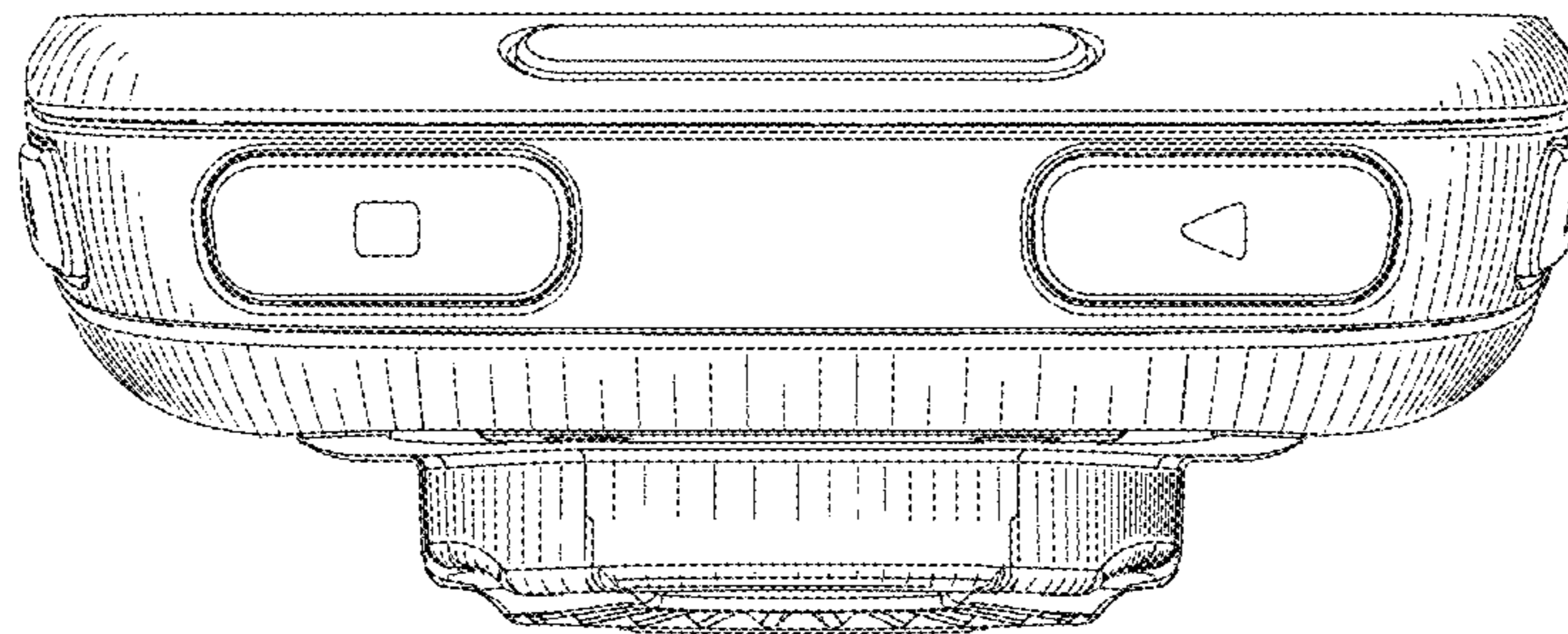


FIG. 6

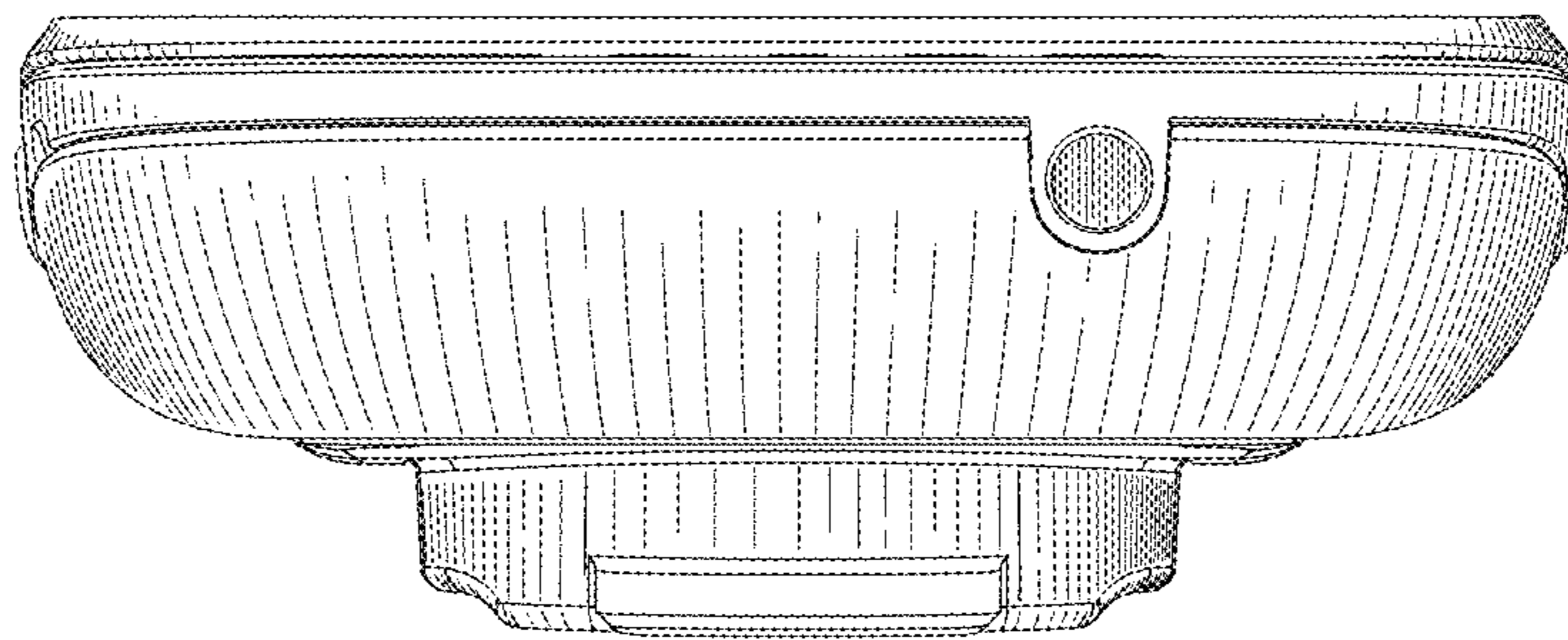


FIG. 7