



US00D777590S

(12) **United States Design Patent**
Nielsen et al.

(10) **Patent No.:** **US D777,590 S**
(45) **Date of Patent:** **** Jan. 31, 2017**

(54) **WRISTBAND WITH FITNESS MONITORING CAPSULE**

(71) Applicant: **Fitbit, Inc.**, San Francisco, CA (US)

(72) Inventors: **Jens Mitchell Nielsen**, San Francisco, CA (US); **Mark Manuel Martinez**, San Francisco, CA (US); **Maxwell W. Davis**, Oakland, CA (US); **Keqing Li**, San Jose, CA (US); **Brad Daniel Brinson**, San Francisco, CA (US); **Keeline Burdick Wilcox**, San Francisco, CA (US); **Gad Amit**, San Mateo, CA (US); **Daniel J. Clifton**, San Francisco, CA (US); **Erik Keith Askin**, San Francisco, CA (US); **David Chia-wen Lean**, San Francisco, CA (US)

(73) Assignee: **FITBIT, INC.**, San Francisco, CA (US)

(**) Term: **15 Years**

(21) Appl. No.: **29/537,616**

(22) Filed: **Aug. 27, 2015**

(51) **LOC (10) Cl.** **10-04**

(52) **U.S. Cl.**
USPC **D10/70; D10/39; D10/65; D10/97; D10/98; D14/344; D24/167; D24/168; D24/186**

(58) **Field of Classification Search**
USPC **D10/30-39, 65, 70, 78, 97, 98; D11/3; D14/344; D24/167, 168, 186**

(Continued)

(56) **References Cited**

U.S. PATENT DOCUMENTS

D715,666 S 10/2014 Park et al.
D720,249 S 12/2014 Park et al.

(Continued)

OTHER PUBLICATIONS

U.S. Appl. No. 29/497,740, filed Jul. 28, 2014, Park et al.

(Continued)

Primary Examiner — Antoine D Davis

(74) *Attorney, Agent, or Firm* — Weaver Austin Villeneuve & Sampson, LLC.

(57) **CLAIM**

We claim the ornamental design for a wristband with fitness monitoring capsule, as shown and described.

DESCRIPTION

FIG. 1 is a rear view of a wristband with fitness monitoring capsule.

FIG. 2 is a left side view of the wristband of FIG. 1.

FIG. 3 is a front view of the wristband of FIG. 1.

FIG. 4 is a right side view of the wristband of FIG. 1.

FIG. 5 is a bottom view of the wristband of FIG. 1.

FIG. 6 is a top view of the wristband of FIG. 1.

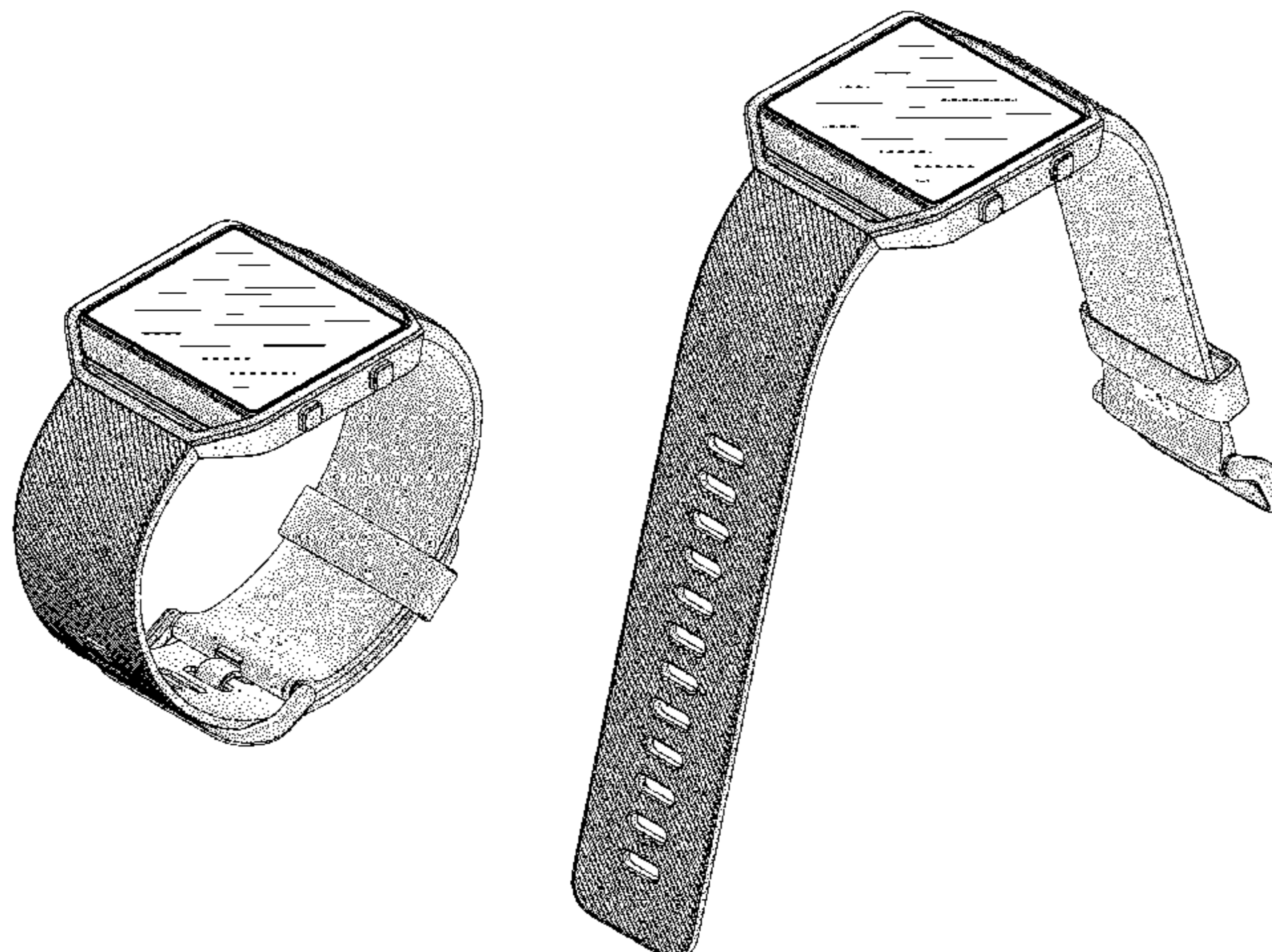
FIG. 7 is an isometric view of the wristband of FIG. 1 with the straps of the wristband clasped together to form a loop that may be worn around a person's wrist.

FIG. 8 is an isometric view of the wristband of FIG. 1; and, FIG. 9 is an isometric exploded view of the wristband of FIG. 1 showing the fitness monitoring capsule, the wristband frame, the spring bars, and the front and rear wristband straps.

FIGS. 1 through 9 are drawn to-scale within each Figure, although the scale from Figure to Figure may vary.

Stipple shading is used in the accompanying Figures to convey surface contouring, not texture. The fitness monitoring capsule that is inserted into the wristband frame of the wristband may additionally have a transparent or translucent (although perhaps smoked or tinted) window that allows a display within the fitness monitoring capsule to be seen by the wearer. This window is not stipple shaded in the accompanying Figures, but is rendered with diagonal line hatching. Features depicted using broken lines and a lack of shading indicate environmental structure that is unclaimed. For example, various logos and other text are shown in broken lines and with a lack of shading; in such cases, the unshaded regions around such logos or text are enclosed in a rectangular border that represents the boundary between a claimed portion of the depicted design and the unclaimed portion of the depicted design. Dash-dot-dash lines are used to indicate directions/paths along which the various components shown

(Continued)



in the exploded view of FIG. 9 may be moved in order to assemble those components into the wristband of FIG. 1.

1 Claim, 5 Drawing Sheets

(58) **Field of Classification Search**

CPC G04B 19/00–19/34; G04B 21/12;
G04B 23/12; G04B 37/00–37/228; G04B
47/00–47/068; G01C 17/00; G01C
21/00–21/3697; G01C 22/00–22/025;
G01C 23/00; G06F 19/3481; G06F
3/00–3/027

See application file for complete search history.

(56) **References Cited**

U.S. PATENT DOCUMENTS

D720,635 S 1/2015 Park et al.
D727,183 S 4/2015 Park et al.

D727,759 S 4/2015 Martinez et al.
D731,482 S * 6/2015 Song D14/344
D732,022 S * 6/2015 Song D14/344
D735,191 S * 7/2015 Song D10/38
D750,622 S * 3/2016 Chen D10/38
D759,622 S * 6/2016 Dahlberg D10/32
D759,826 S * 6/2016 Martinez D24/187
D761,675 S * 7/2016 Thaveeprungsriporn D10/38
D762,210 S * 7/2016 Lee D14/344

OTHER PUBLICATIONS

U.S. Appl. No. 29/500,837, filed Aug. 28, 2014, Martinez et al.
U.S. Appl. No. 29/520,607, filed Mar. 16, 2015, Ling et al.
U.S. Appl. No. 29/521,264, filed Mar. 20, 2015, Ling et al.
U.S. Appl. No. 29/524,019, filed Apr. 15, 2015, Ling et al.
U.S. Appl. No. 29/524,025, filed Apr. 15, 2015, Ling et al.
U.S. Appl. No. 29/524,027, filed Apr. 15, 2015, Ling et al.
U.S. Appl. No. 29/524,028, filed Apr. 15, 2015, Ling et al.

* cited by examiner

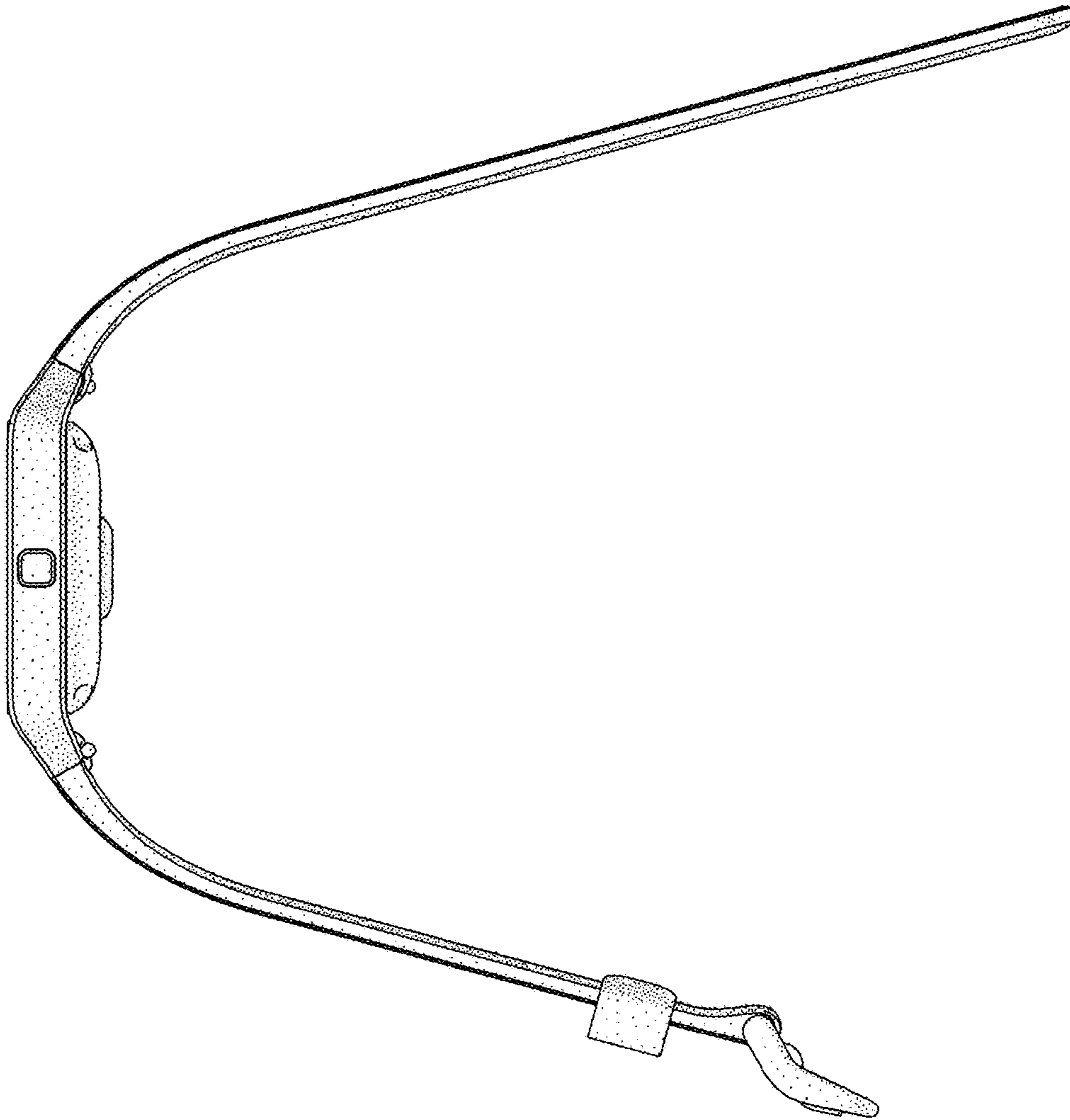


Figure 2

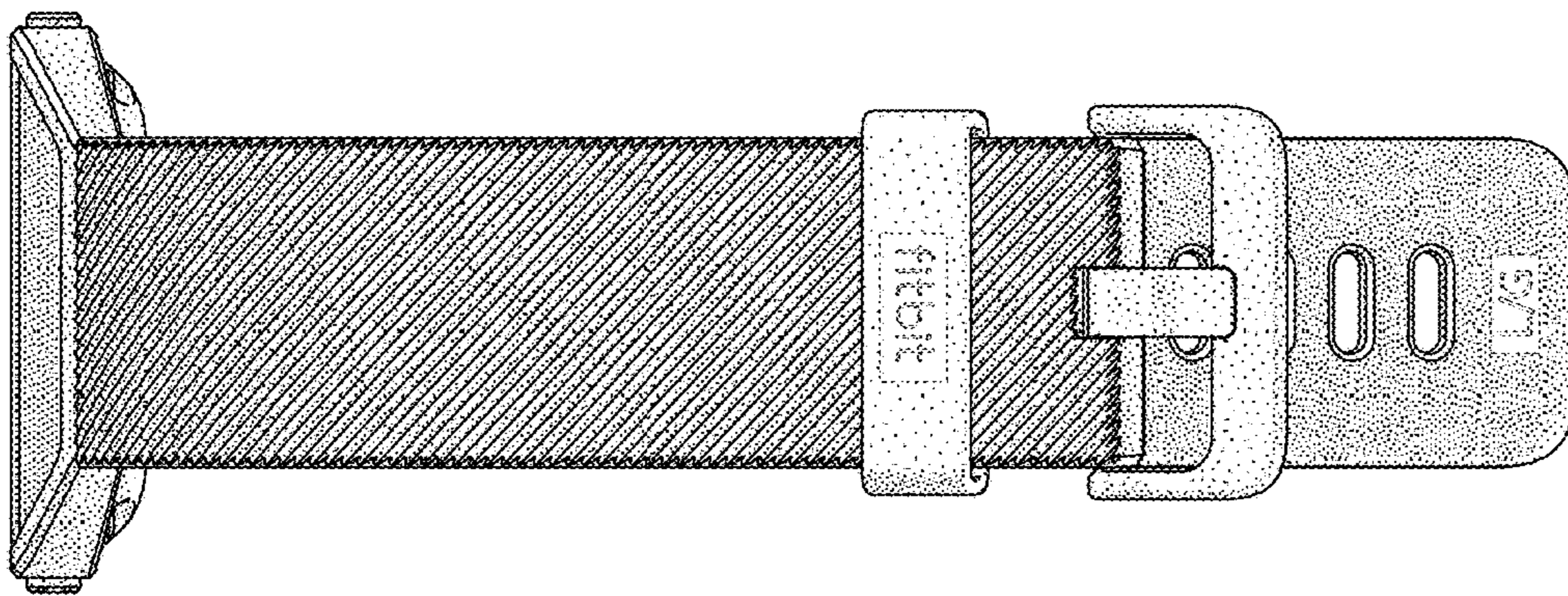


Figure 1

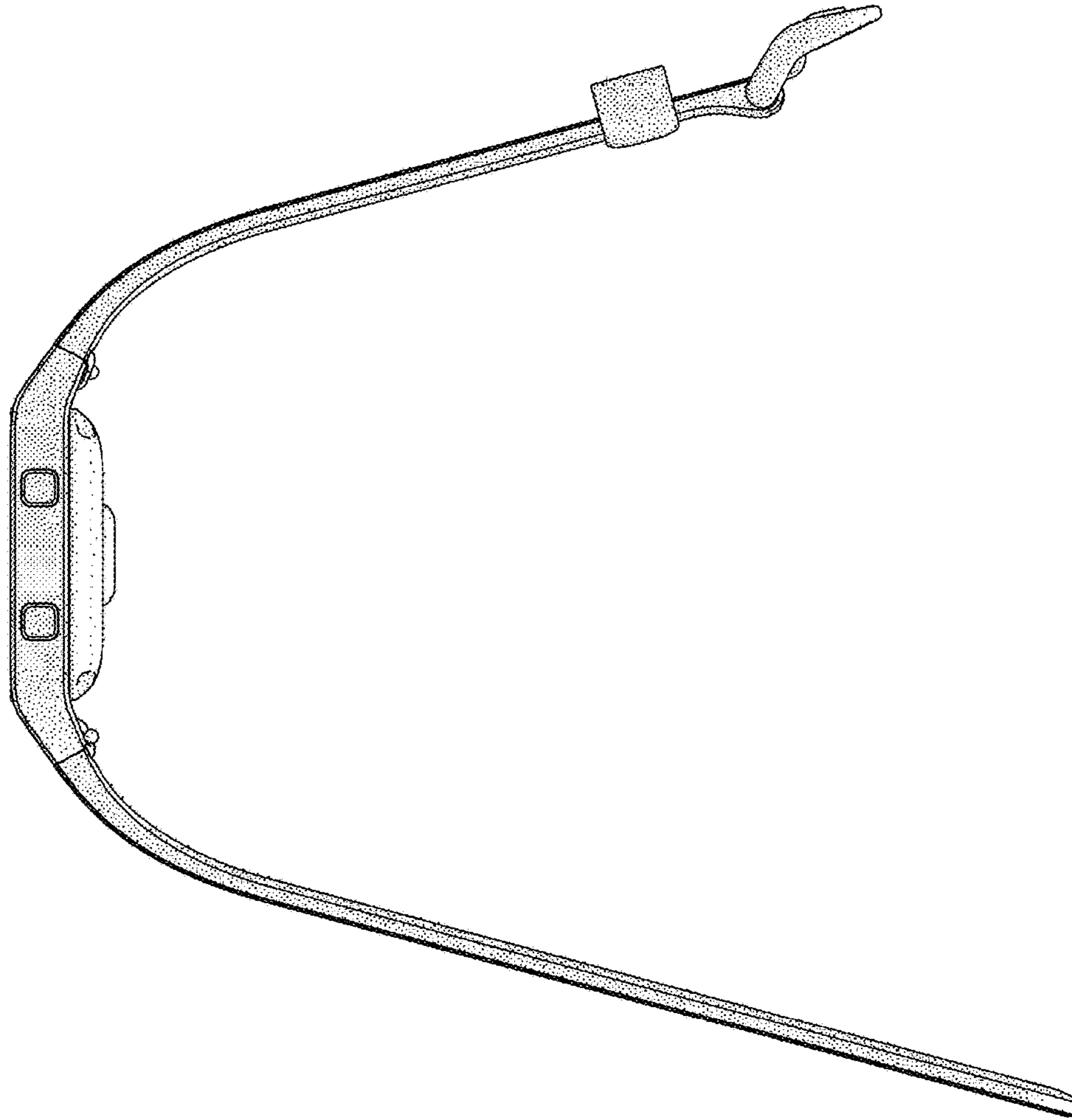


Figure 4

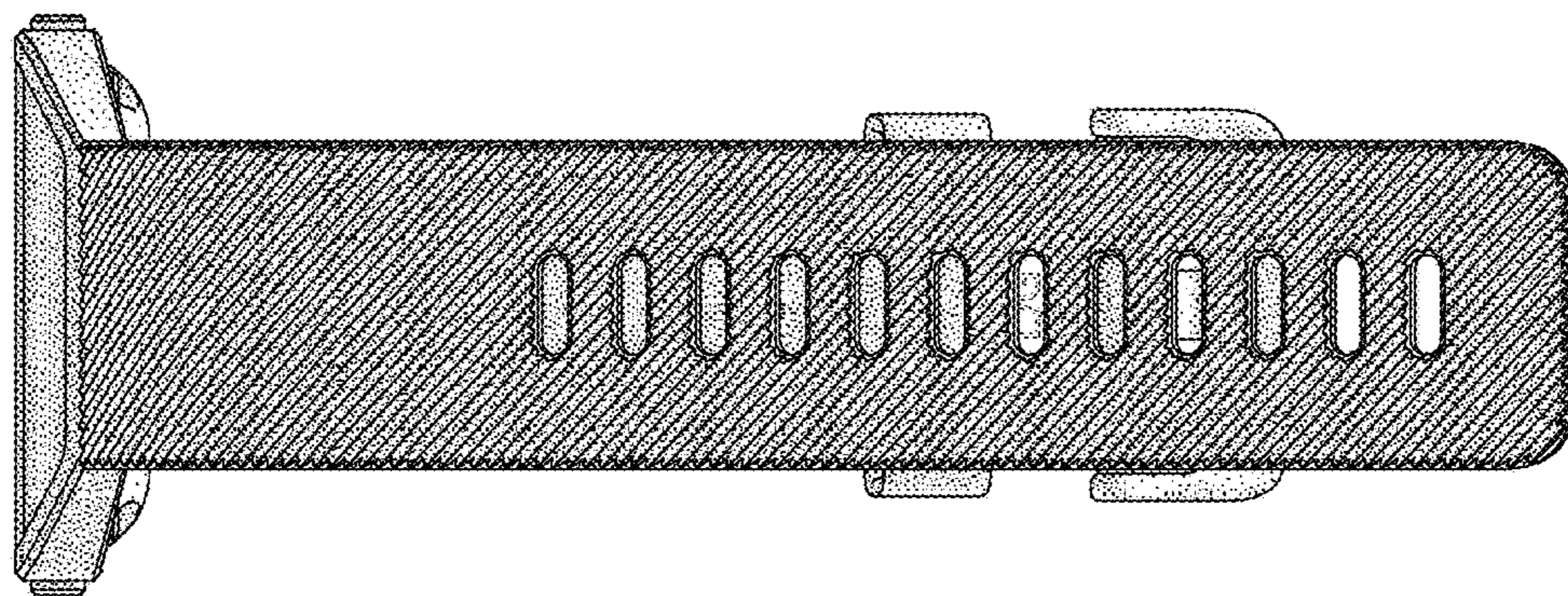


Figure 3

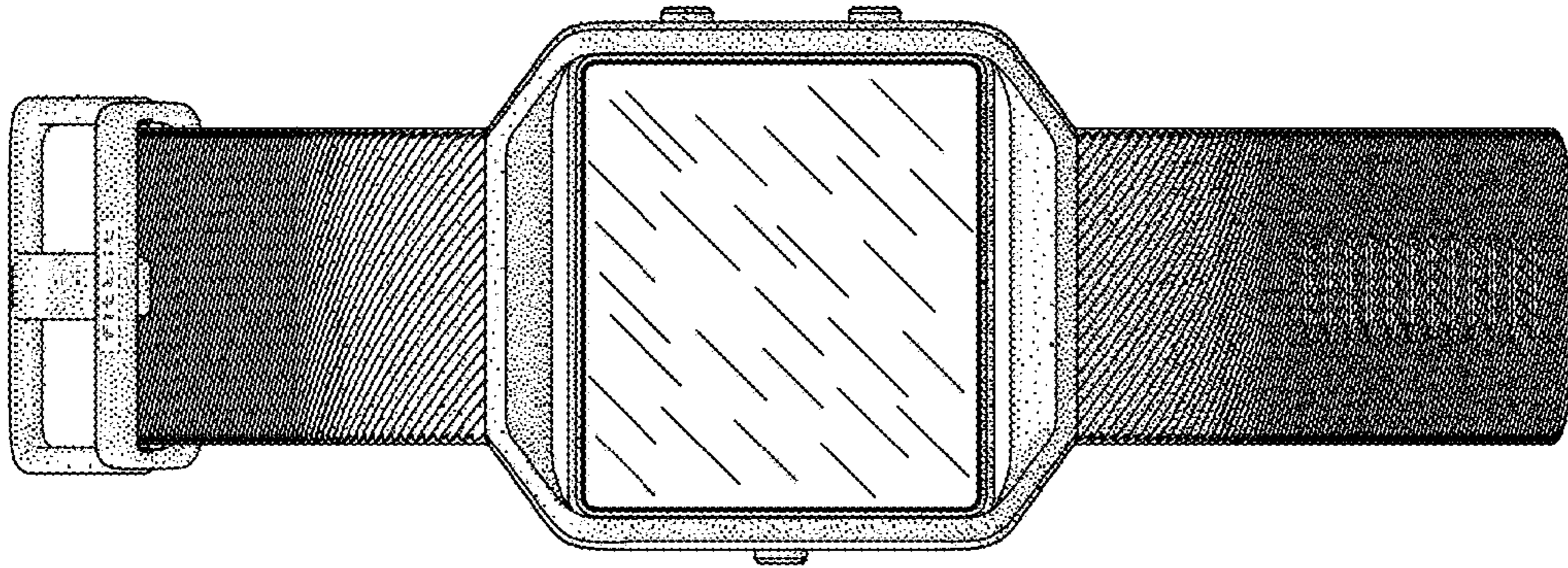


Figure 6

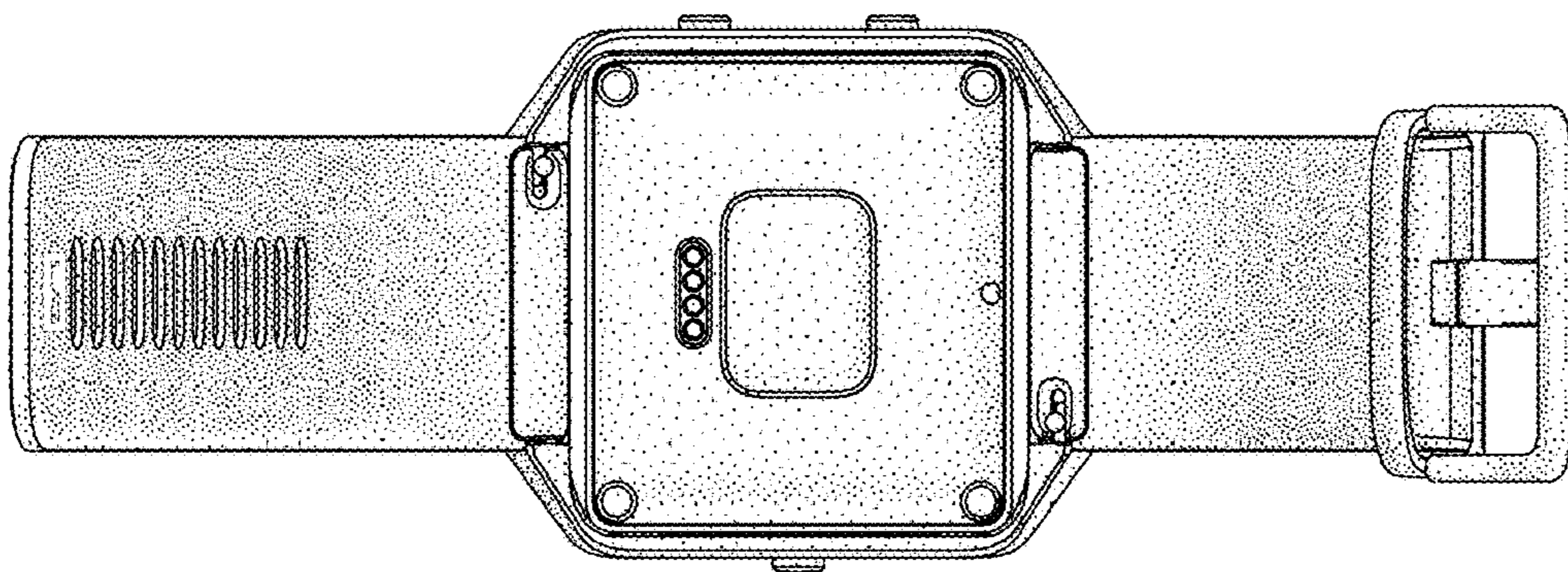


Figure 5

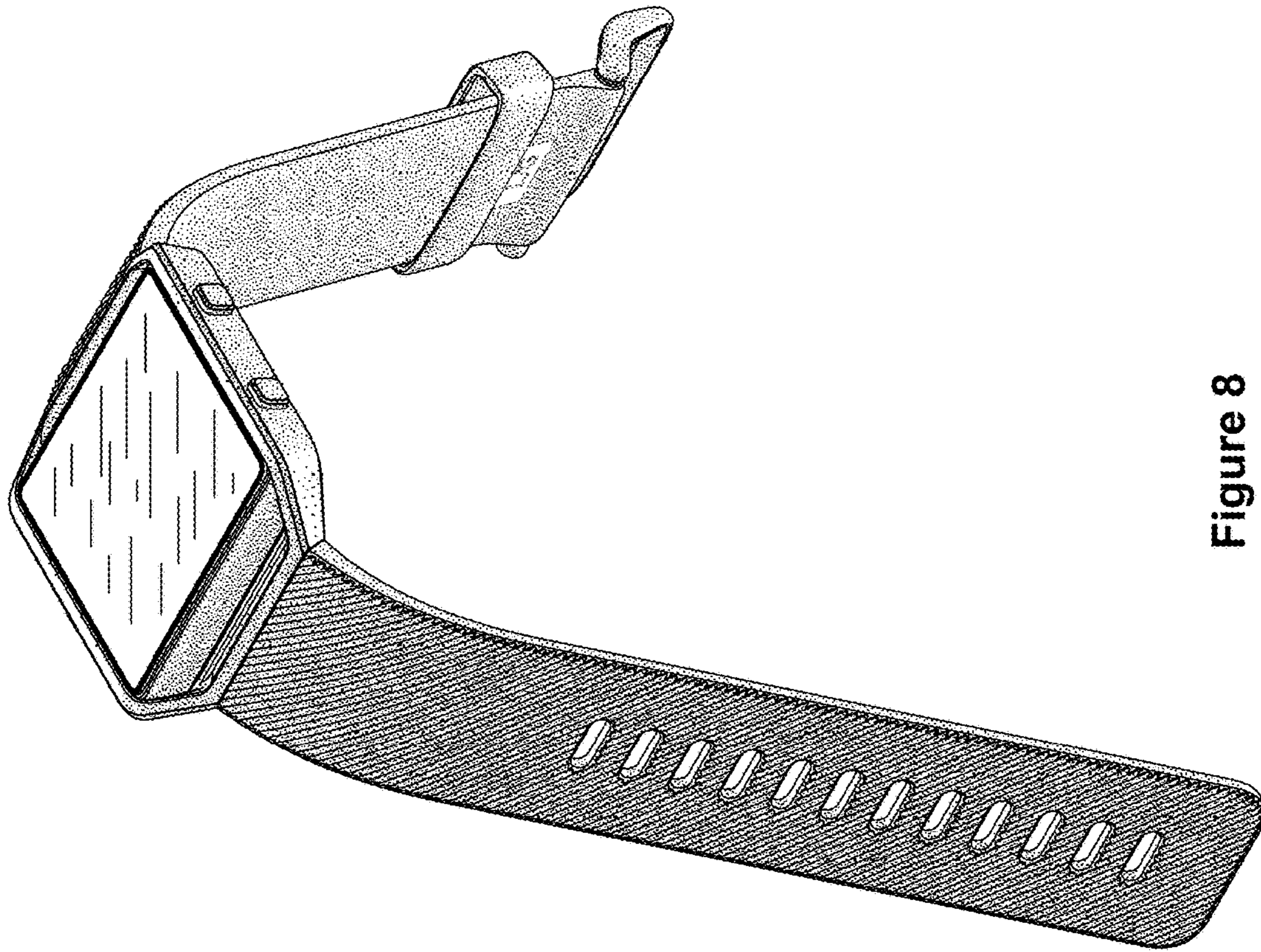


Figure 8

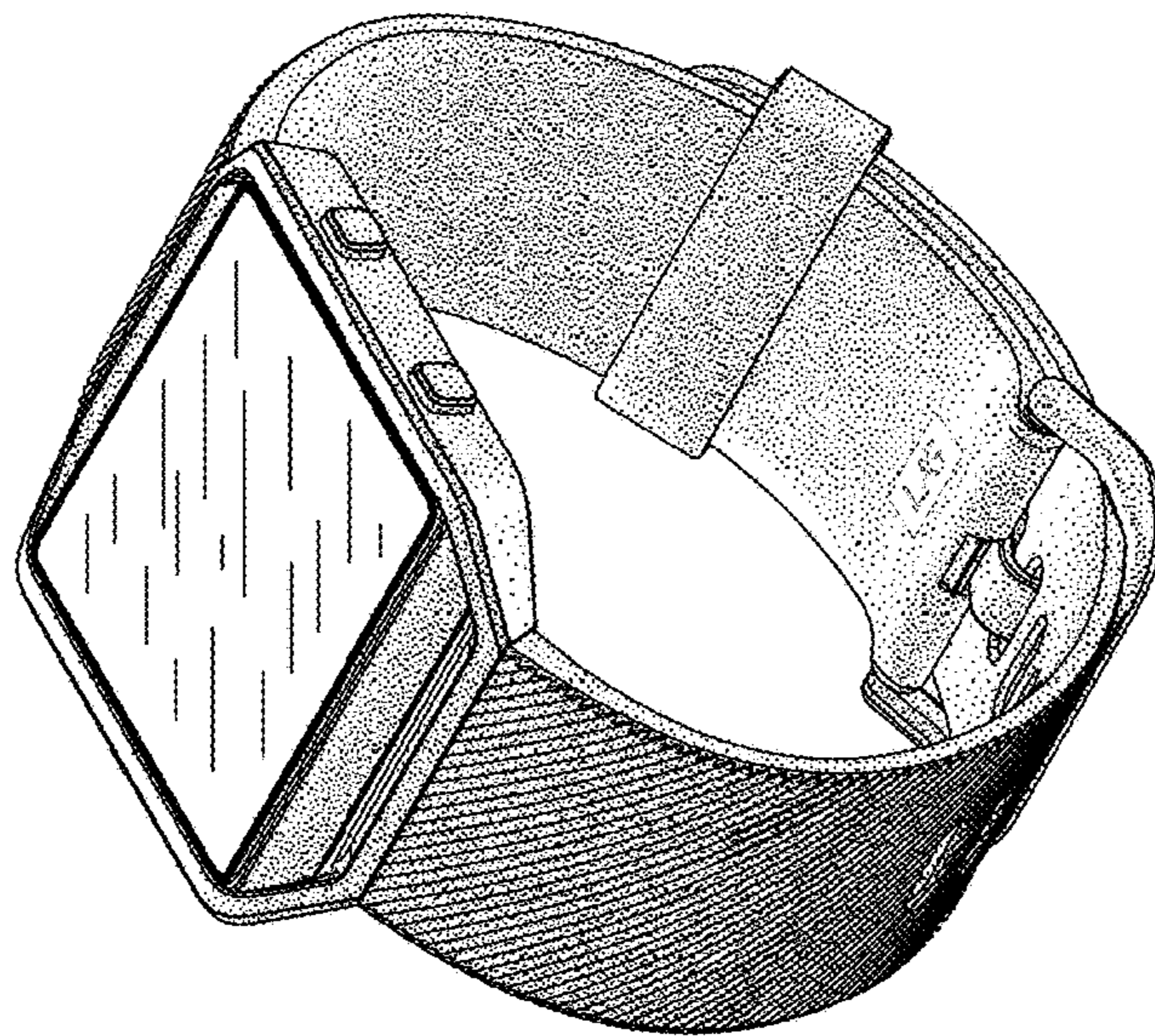


Figure 7

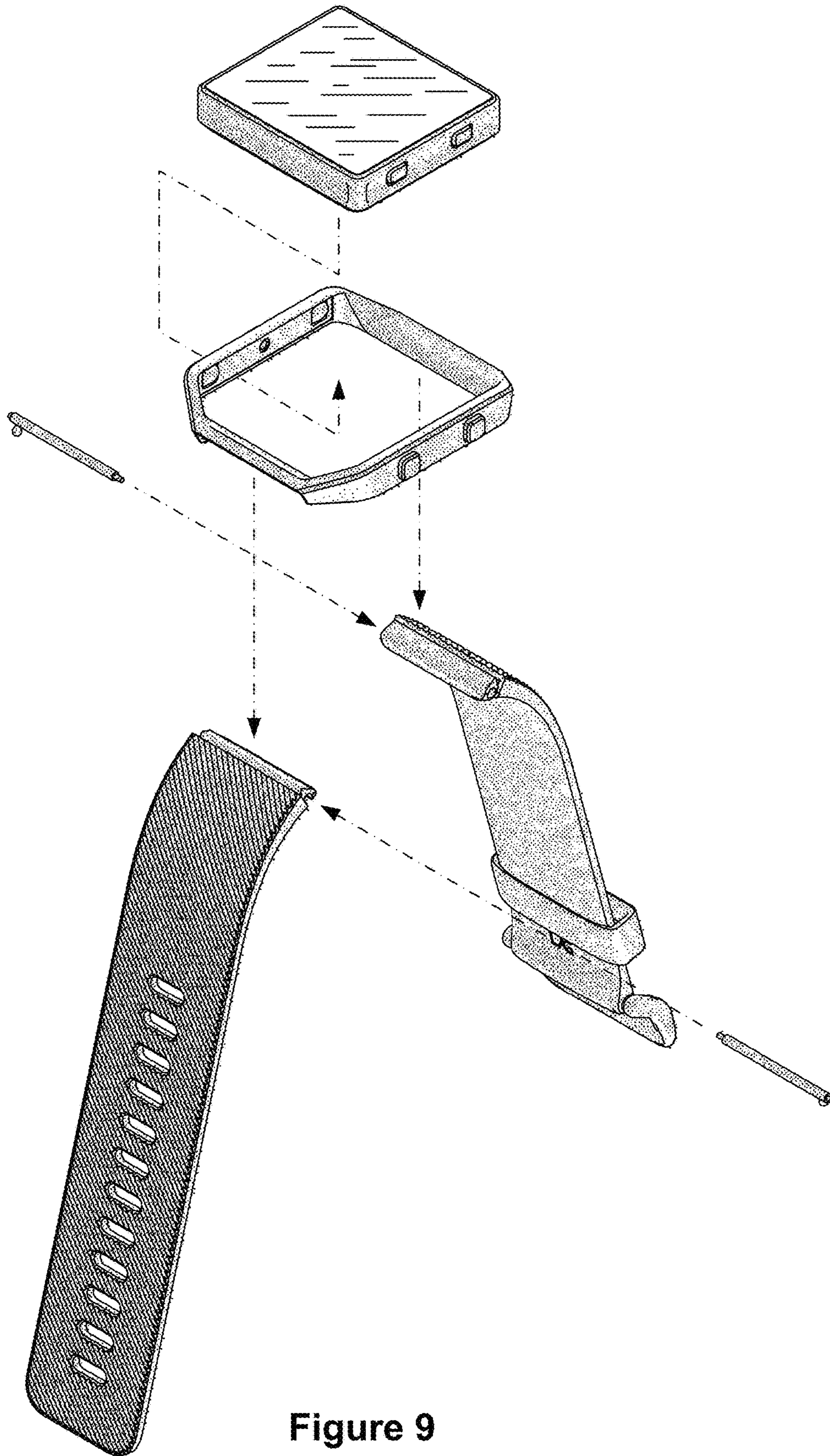


Figure 9

UNITED STATES PATENT AND TRADEMARK OFFICE
CERTIFICATE OF CORRECTION

PATENT NO. : D777,590 S
APPLICATION NO. : 29/537616
DATED : January 31, 2017
INVENTOR(S) : Nielsen et al.

Page 1 of 8

It is certified that error appears in the above-identified patent and that said Letters Patent is hereby corrected as shown below:

Please delete Patent D777590 in its entirety and insert Patent D777590 in its entirety as shown on the attached pages

Signed and Sealed this
Sixth Day of June, 2017



Michelle K. Lee
Director of the United States Patent and Trademark Office

(12) **United States Design Patent** (10) **Patent No.:** **US D777,590 S**
Nielsen et al. (45) **Date of Patent:** **** Jan. 31, 2017**

(54) **WRISTBAND WITH FITNESS MONITORING CAPSULE**

(71) Applicant: **Fitbit, Inc.**, San Francisco, CA (US)

(72) Inventors: **Jens Mitchell Nielsen**, San Francisco, CA (US); **Mark Manuel Martinez**, San Francisco, CA (US); **Maxwell W. Davis**, Oakland, CA (US); **Keqing Li**, San Jose, CA (US); **Brad Daniel Brinson**, San Francisco, CA (US); **Keeline Burdick Wilcox**, San Francisco, CA (US); **Gad Amit**, San Mateo, CA (US); **Daniel J. Clifton**, San Francisco, CA (US); **Erik Keith Askin**, San Francisco, CA (US); **David Chia-wen Lean**, San Francisco, CA (US)

(73) Assignee: **FITBIT, INC.**, San Francisco, CA (US)

(**) Term: **15 Years**

(21) Appl. No.: **29/537,616**

(22) Filed: **Aug. 27, 2015**

(51) **LOC (10) Cl.** **10-04**

(52) **U.S. Cl.**
 USPC **D10/70; D10/39; D10/65; D10/97; D10/98; D14/344; D24/167; D24/168; D24/186**

(58) **Field of Classification Search**
 USPC **D10/30-39, 65, 70, 78, 97, 98; D11/3; D14/344; D24/167, 168, 186**
 (Continued)

(56) **References Cited**

U.S. PATENT DOCUMENTS

D715,666 S 10/2014 Park et al.
 D720,249 S 12/2014 Park et al.
 (Continued)

OTHER PUBLICATIONS

U.S. Appl. No. 29/497,740, filed Jul. 28, 2014, Park et al.
 (Continued)

Primary Examiner — Antoine D Davis
 (74) *Attorney, Agent, or Firm* — Weaver Austin Villeneuve & Sampson, LLP.

(57) **CLAIM**

We claim the ornamental design for a wristband with fitness monitoring capsule, as shown and described.

DESCRIPTION

FIG. 1 is a rear view of a wristband with fitness monitoring capsule.

FIG. 2 is a left side view of the wristband of FIG. 1.

FIG. 3 is a front view of the wristband of FIG. 1.

FIG. 4 is a right side view of the wristband of FIG. 1.

FIG. 5 is a bottom view of the wristband of FIG. 1.

FIG. 6 is a top view of the wristband of FIG. 1.

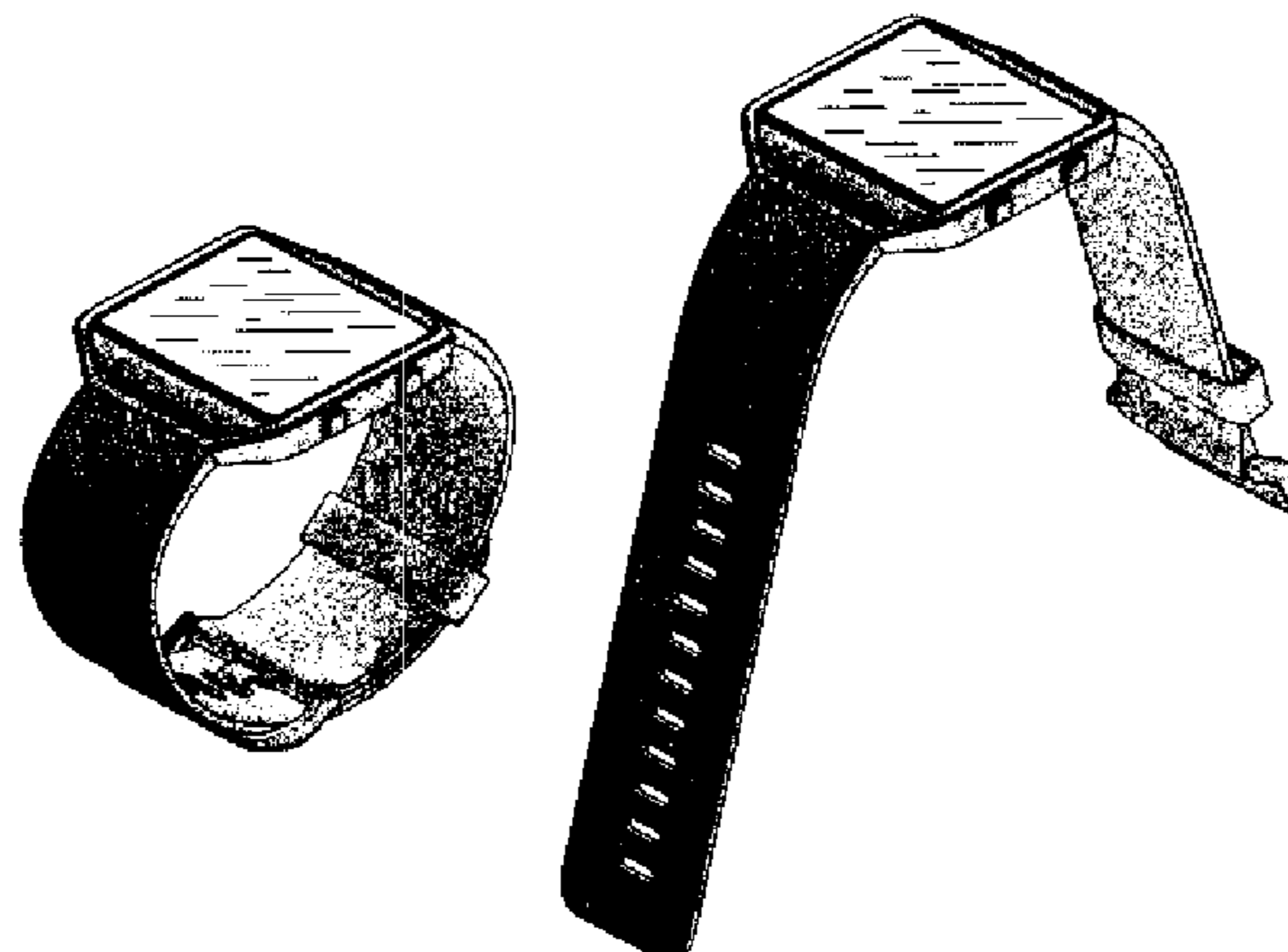
FIG. 7 is an isometric view of the wristband of FIG. 1 with the straps of the wristband clasped together to form a loop that may be worn around a person's wrist.

FIG. 8 is an isometric view of the wristband of FIG. 1; and, FIG. 9 is an isometric exploded view of the wristband of FIG. 1 showing the fitness monitoring capsule, the wristband frame, the spring bars, and the front and rear wristband straps.

FIGS. 1 through 9 are drawn to-scale within each Figure, although the scale from Figure to Figure may vary.

Stipple shading is used in the accompanying Figures to convey surface contouring, not texture. The fitness monitoring capsule that is inserted into the wristband frame of the wristband may additionally have a transparent or translucent (although perhaps smoked or tinted) window that allows a display within the fitness monitoring capsule to be seen by the wearer. This window is not stipple shaded in the accompanying Figures, but is rendered with diagonal line hatching. Features depicted using broken lines and a lack of shading indicate environmental structure that is unclaimed. For example, various logos and other text are shown in broken lines and with a lack of shading; in such cases, the unshaded regions around such logos or text are enclosed in a rectangular border that represents the boundary between a claimed portion of the depicted design and the unclaimed portion of the depicted design. Dash-dot-dash lines are used to indicate directions/paths along which the various components shown

(Continued)



US D777,590 S

Page 2

in the exploded view of FIG. 9 may be moved in order to assemble those components into the wristband of FIG. 1.

1 Claim, 5 Drawing Sheets

(58) Field of Classification Search

CPC G04B 19/00-19/34; G04B 21/12; G04B 23/12; G04B 37/00-37/228; G04B 47/00-47/068; G01C 17/00; G01C 21/00-21/3697; G01C 22/00-22/025; G01C 23/00; G06F 19/3481; G06F 3/00-3/027

See application file for complete search history.

(56) References Cited

U.S. PATENT DOCUMENTS

D720,635 S 1/2015 Park et al.
D727,183 S 4/2015 Park et al.

D727,759 S 4/2015 Martinez et al.
D731,482 S * 6/2015 Song D14/344
D732,022 S * 6/2015 Song D14/344
D735,191 S * 7/2015 Song D10/38
D750,622 S * 3/2016 Chen D10/38
D759,622 S * 6/2016 Dahlberg D10/32
D759,826 S * 6/2016 Martinez D24/187
D761,675 S * 7/2016 Thaveeprungriporn D10/38
D762,210 S * 7/2016 Lee D14/344

OTHER PUBLICATIONS

U.S. Appl. No. 29/500,837, filed Aug. 28, 2014, Martinez et al.
U.S. Appl. No. 29/520,607, filed Mar. 16, 2015, Ling et al.
U.S. Appl. No. 29/521,264, filed Mar. 20, 2015, Ling et al.
U.S. Appl. No. 29/524,019, filed Apr. 15, 2015, Ling et al.
U.S. Appl. No. 29/524,025, filed Apr. 15, 2015, Ling et al.
U.S. Appl. No. 29/524,027, filed Apr. 15, 2015, Ling et al.
U.S. Appl. No. 29/524,028, filed Apr. 15, 2015, Ling et al.

* cited by examiner

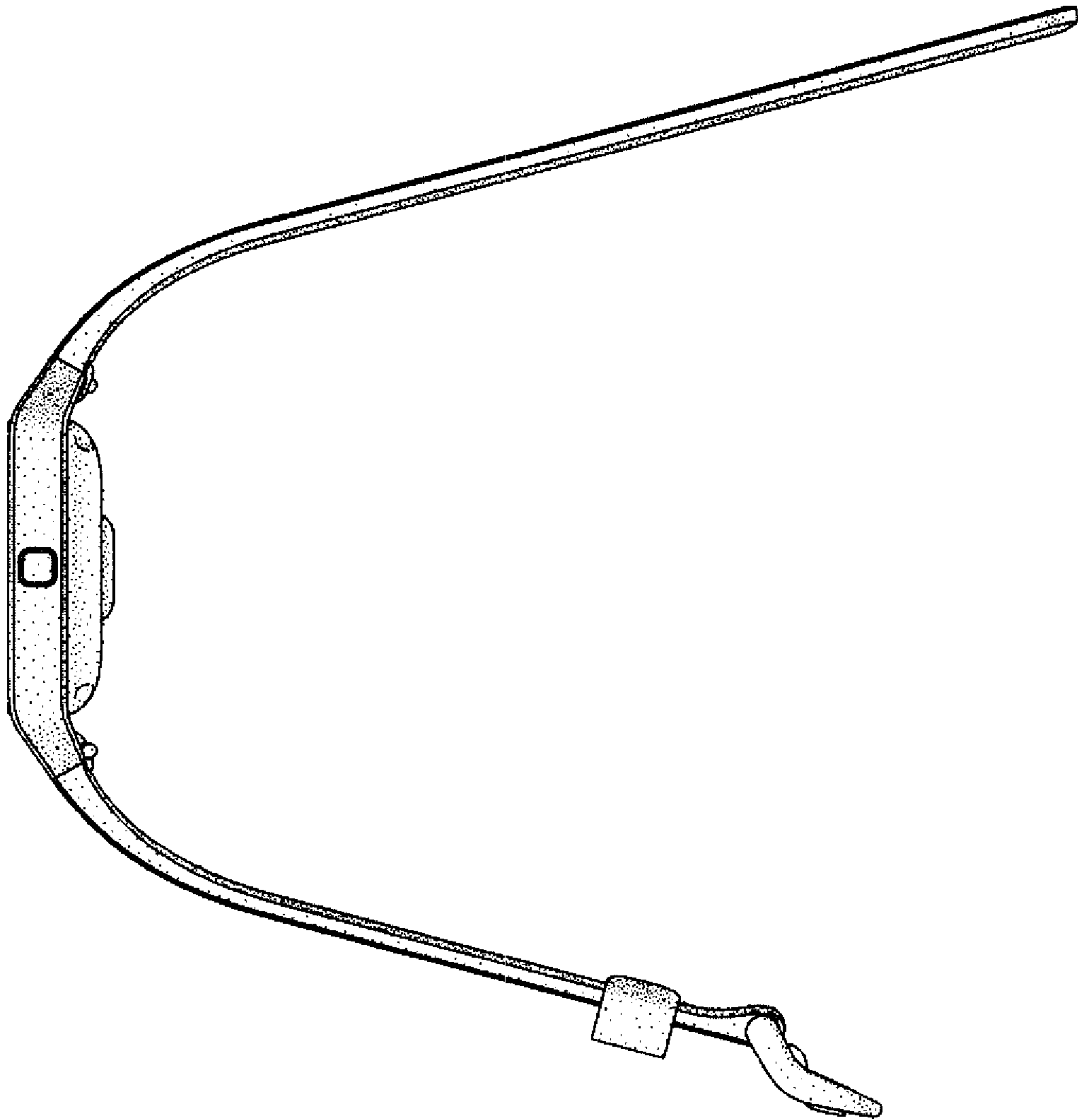


Figure 2

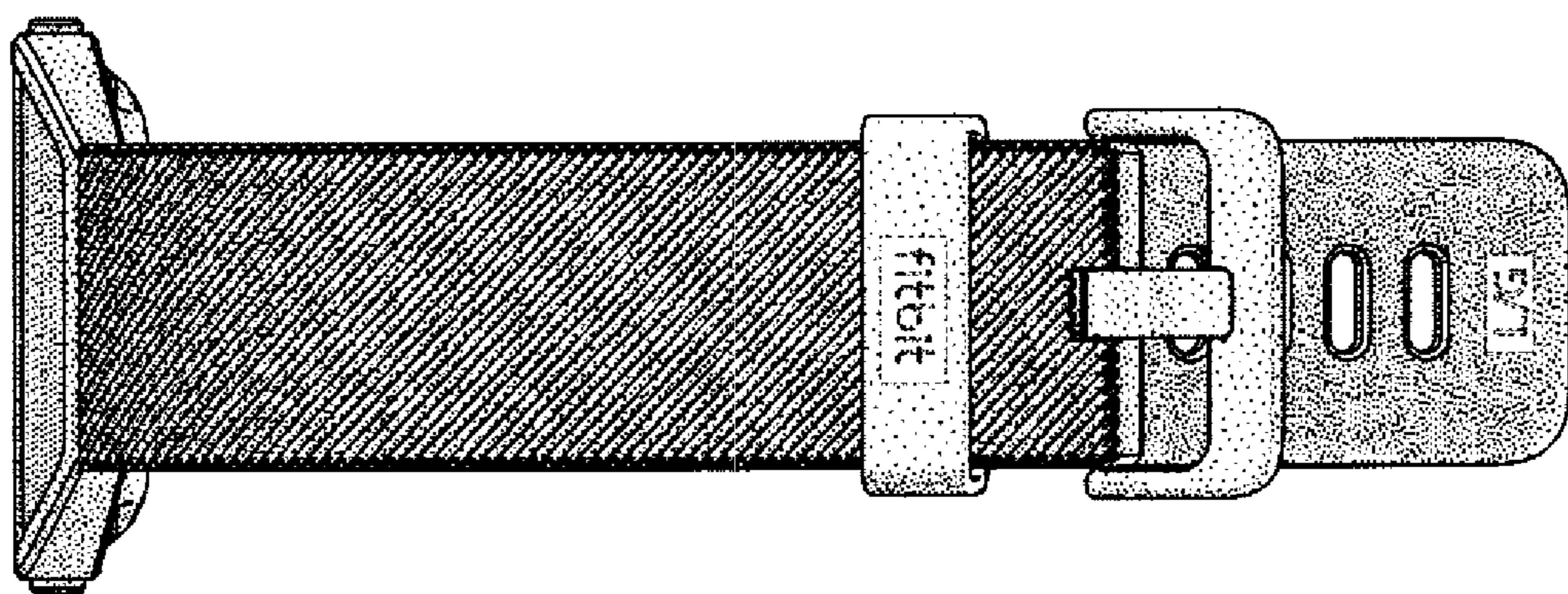


Figure 1

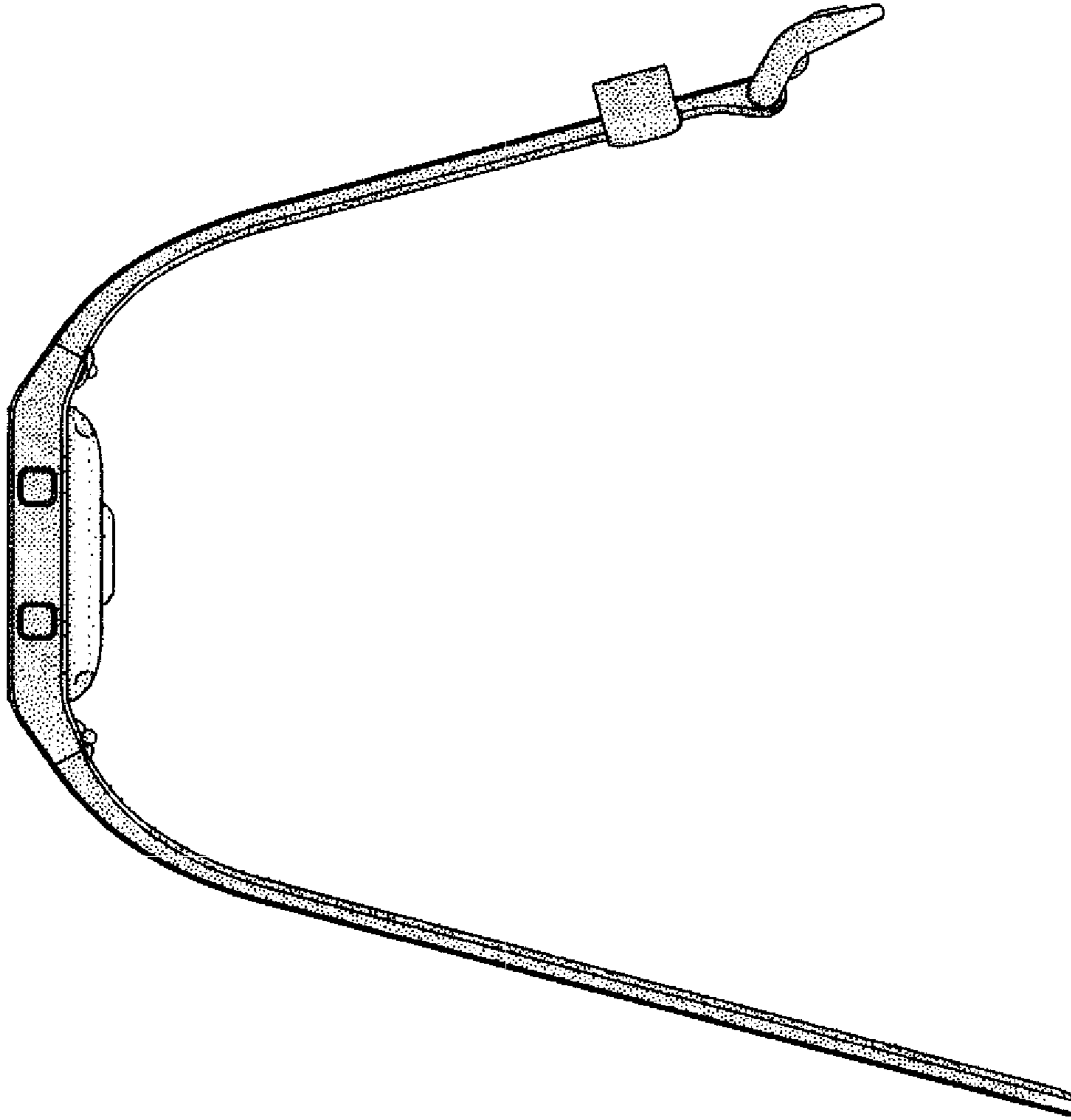


Figure 4

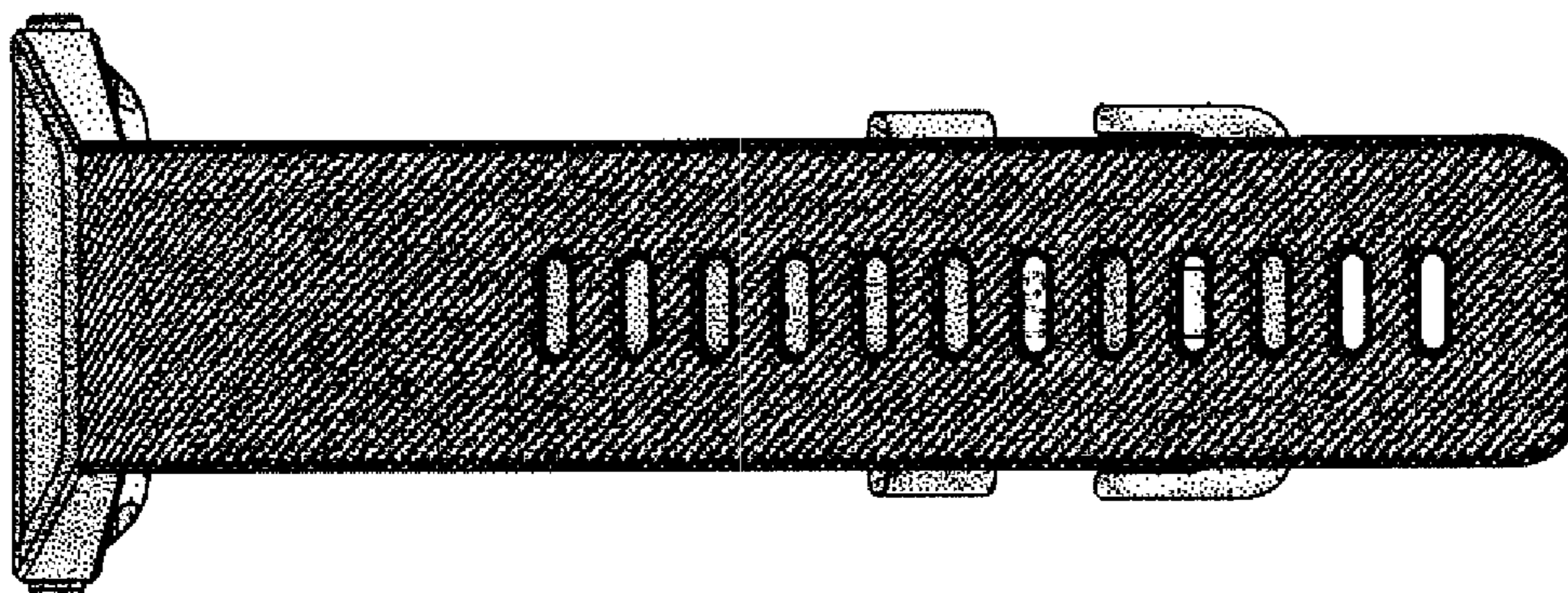


Figure 3

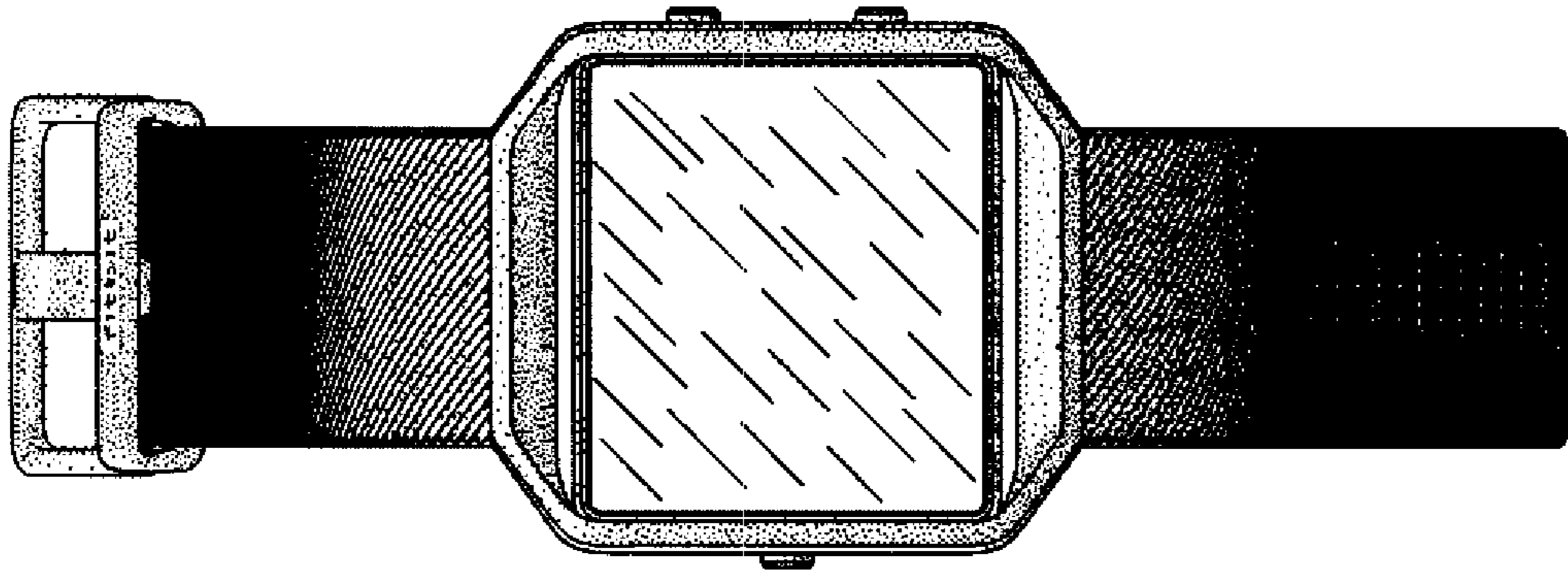


Figure 6

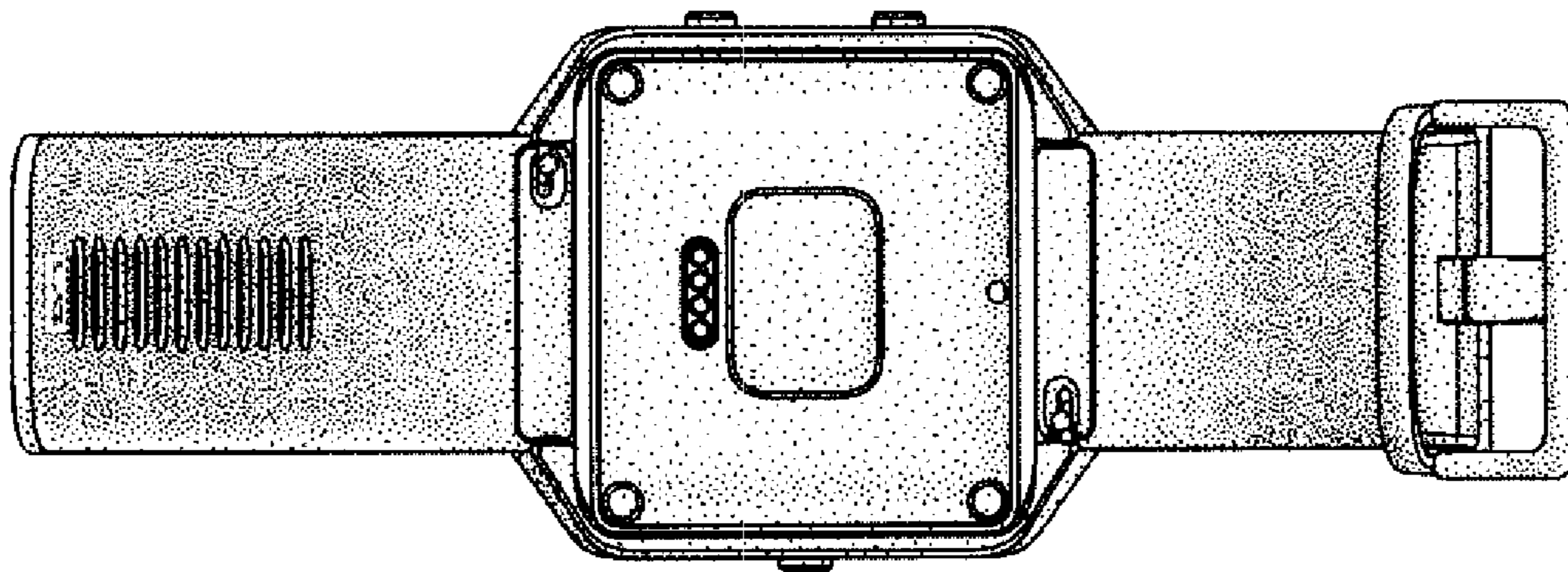


Figure 5

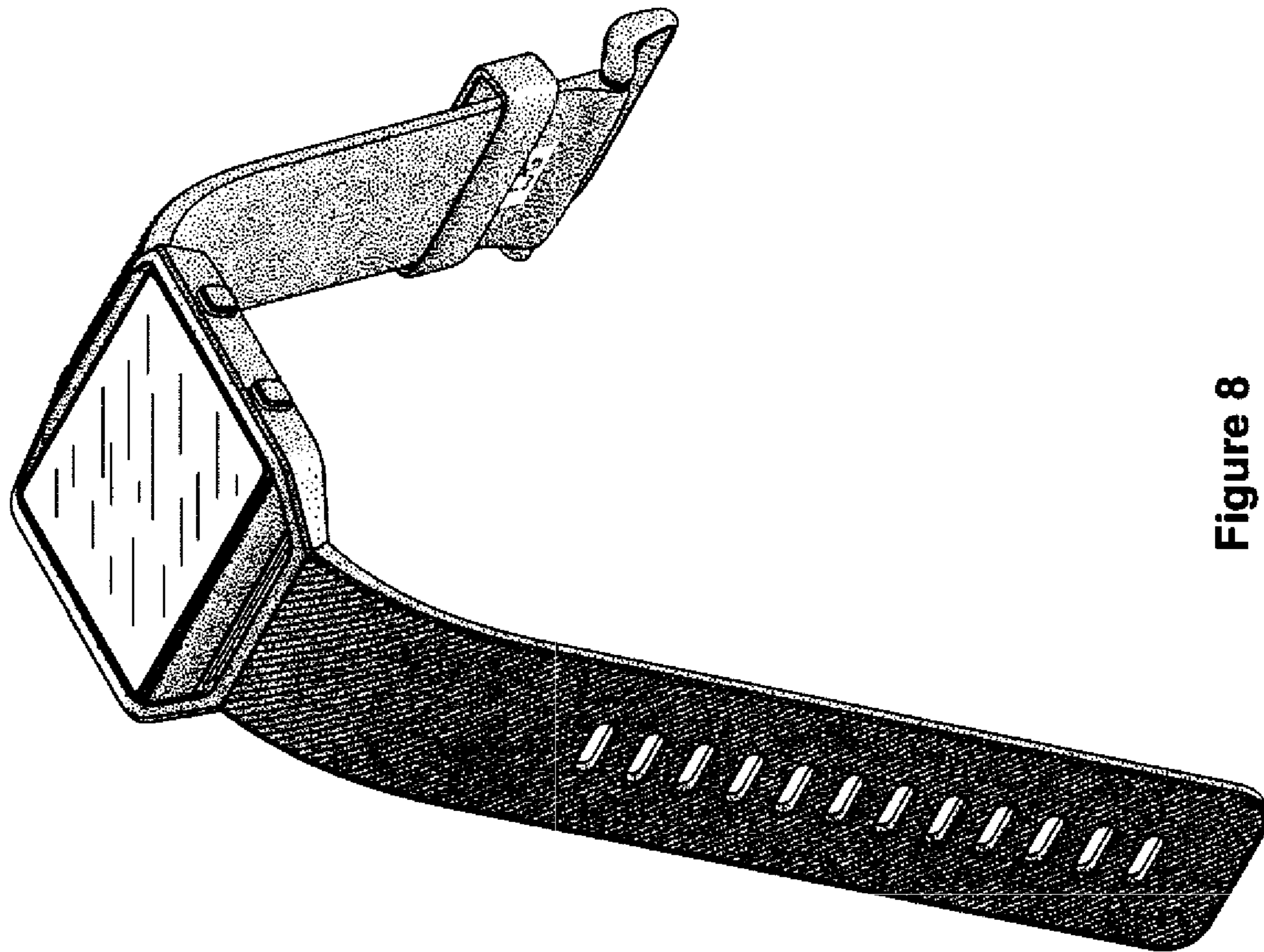


Figure 8

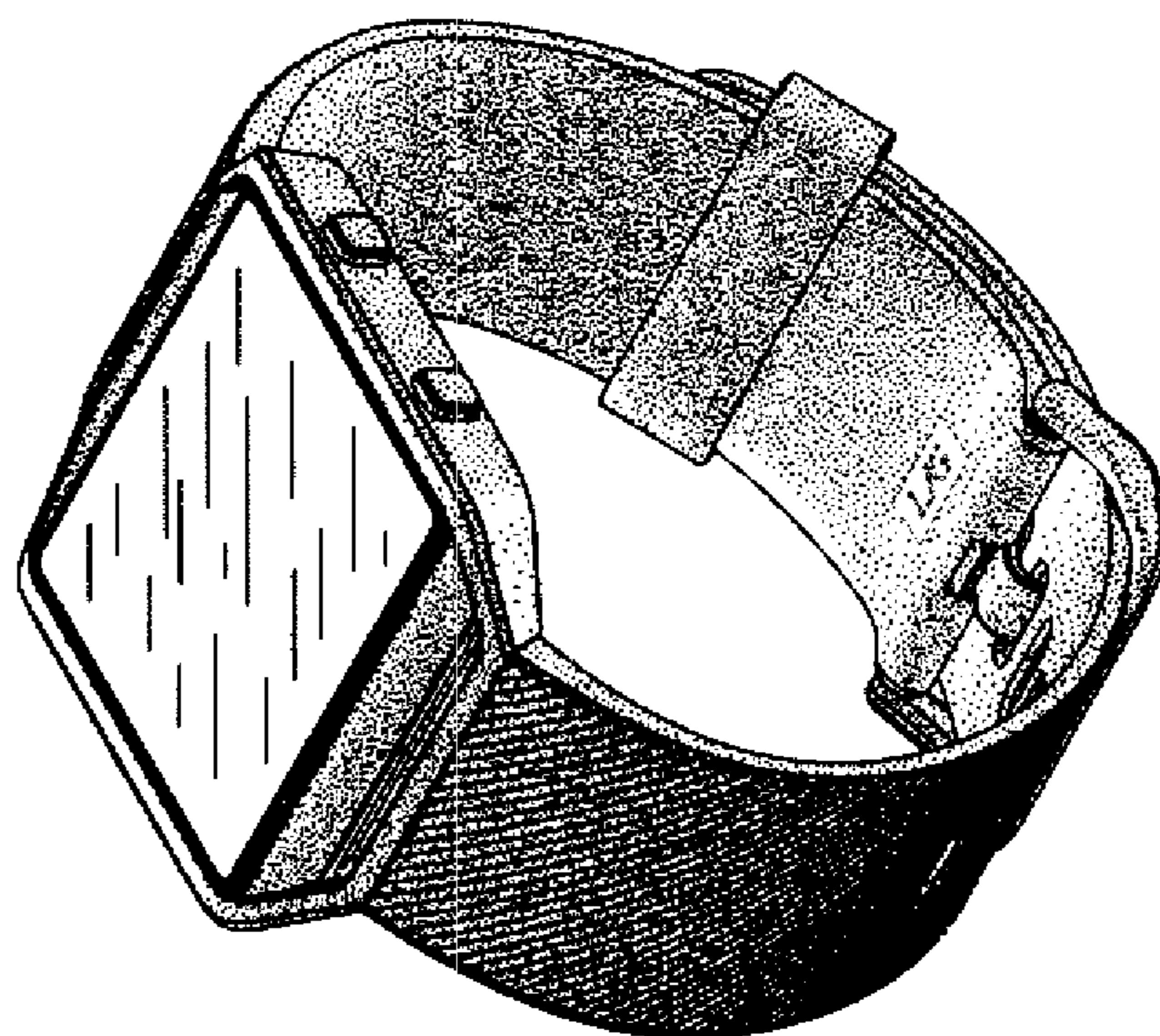


Figure 7

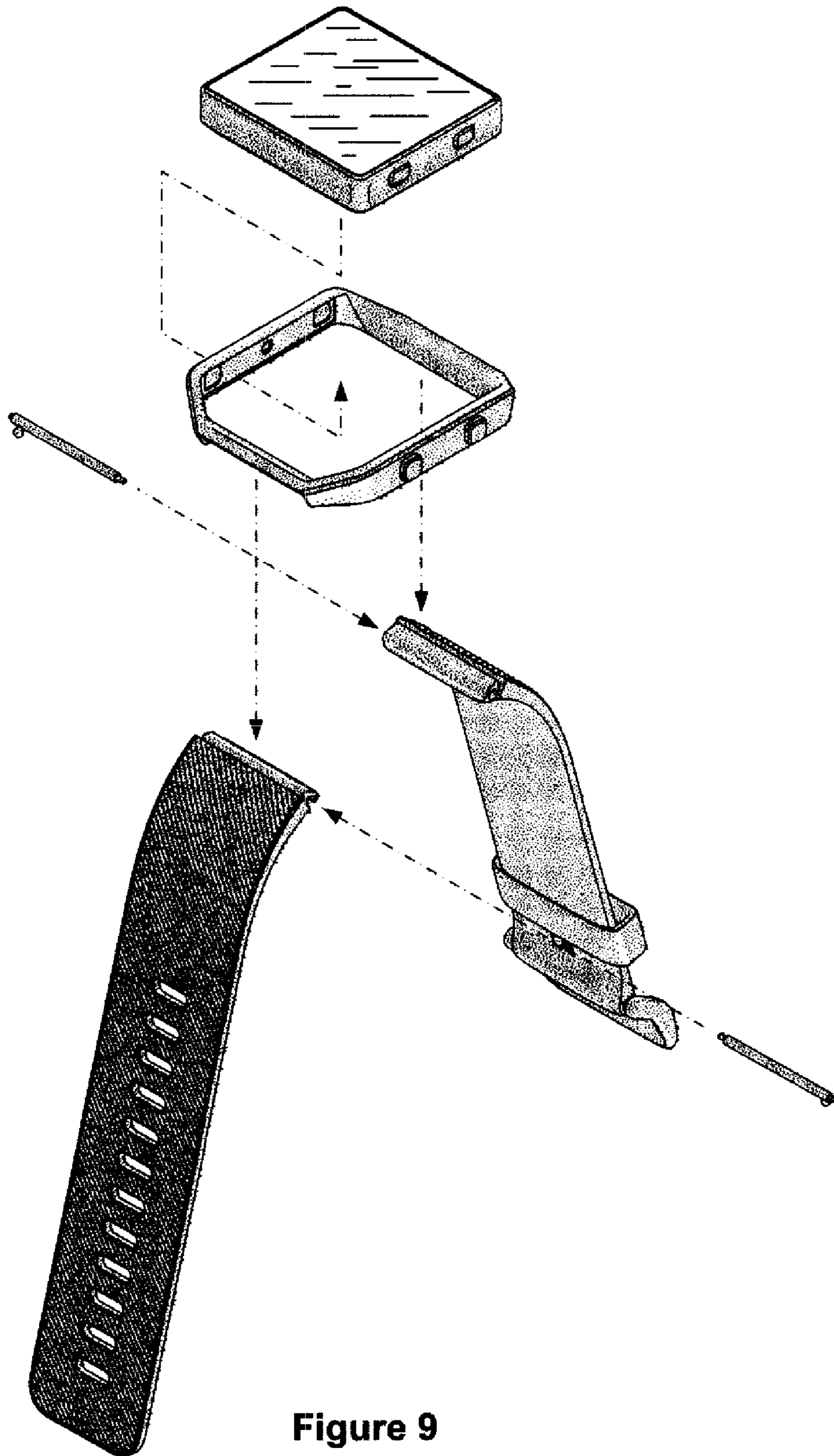


Figure 9